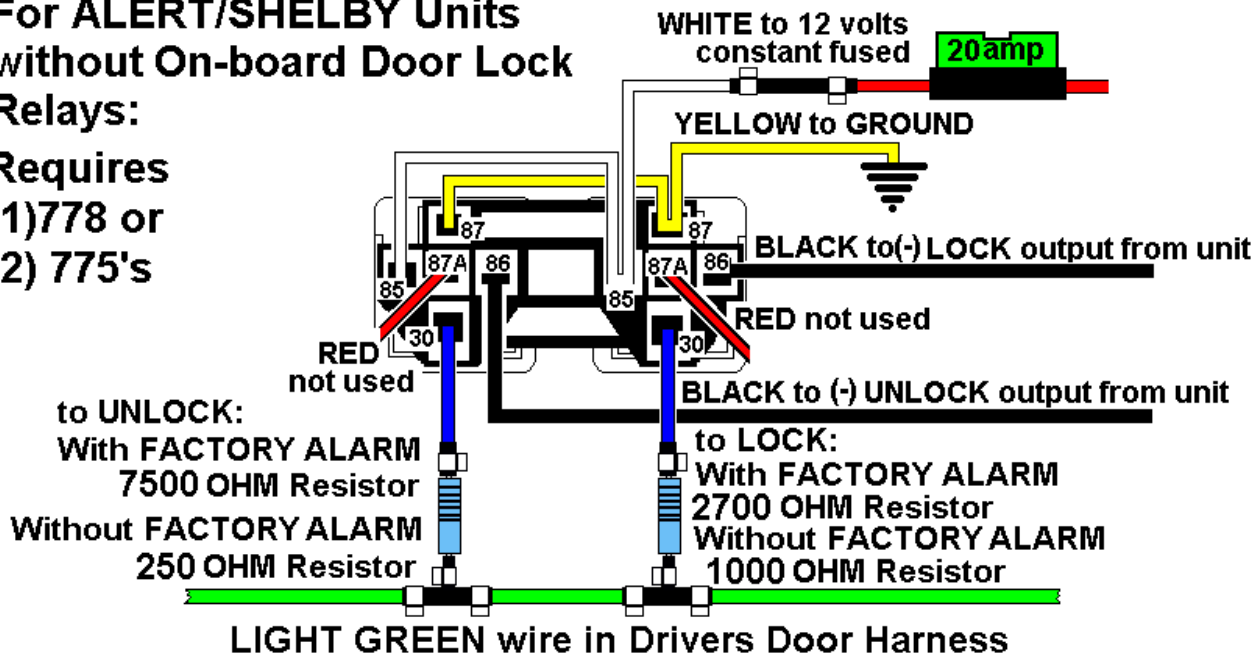
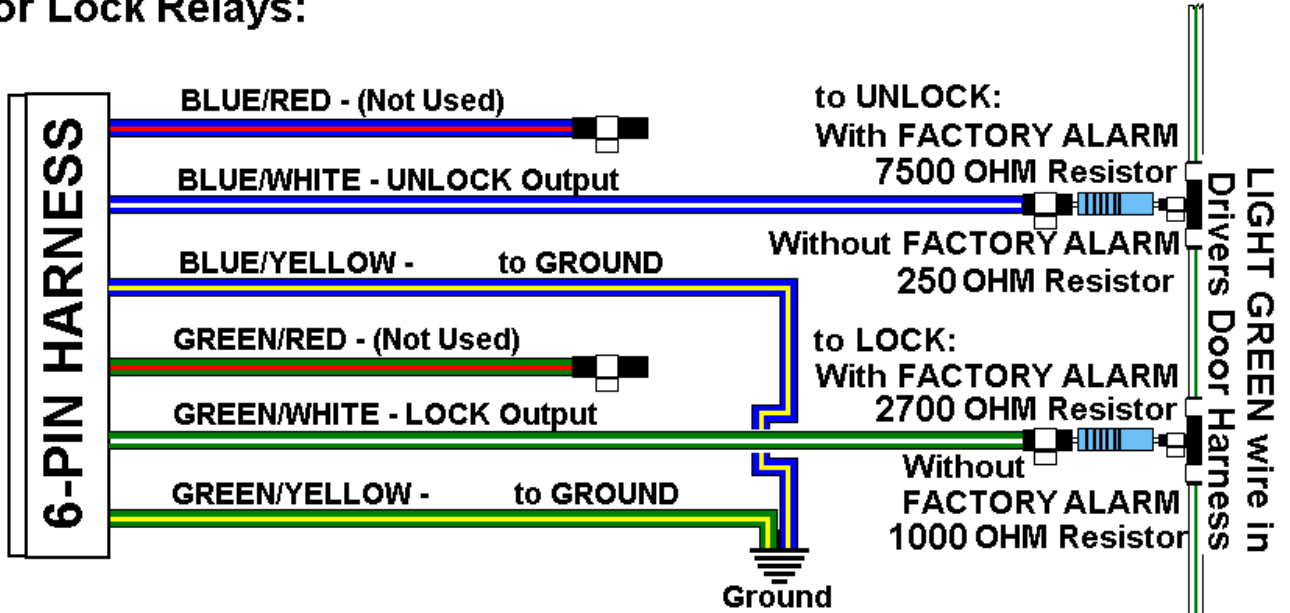


For ALERT/SHELBY Units without On-board Door Lock Relays:

Requires
(1) 778 or
(2) 775's



For ALERT/SHELBY Units with On-board Door Lock Relays:



NOTE ** Attach the BLUE/YELLOW and the GREEN/YELLOW wires to a SOLID BODY GROUND.