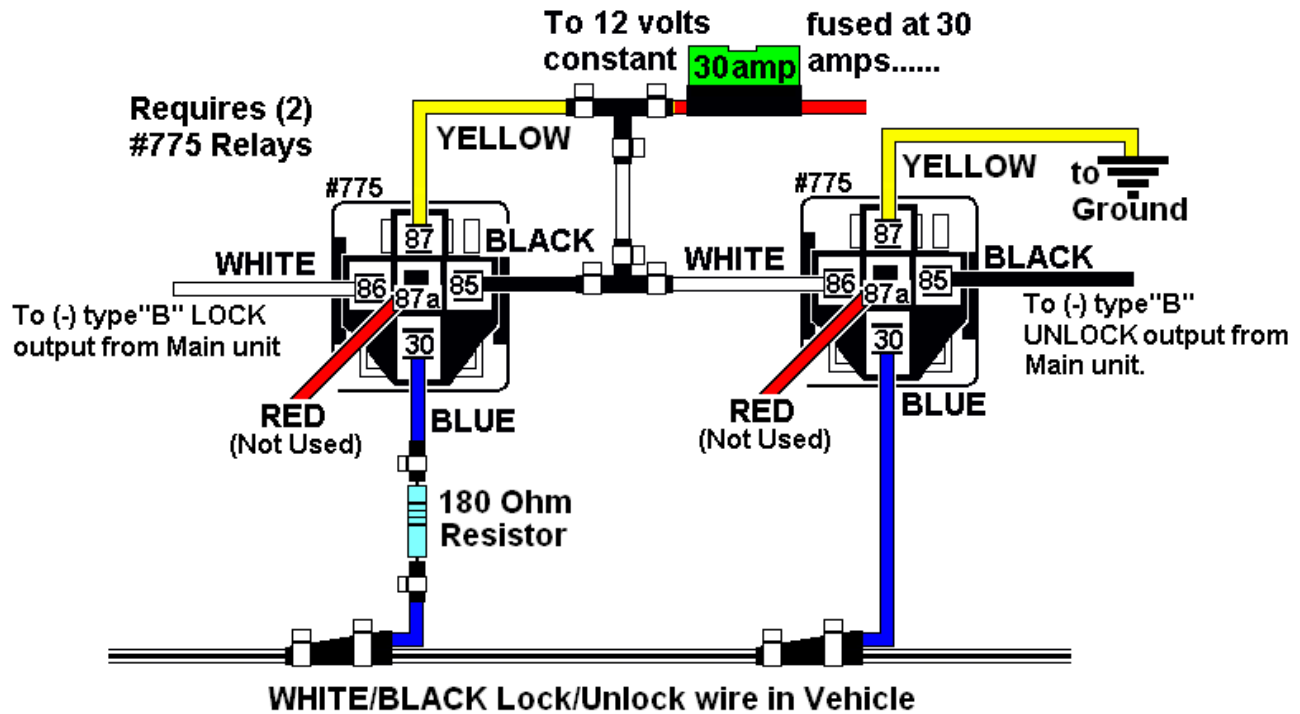
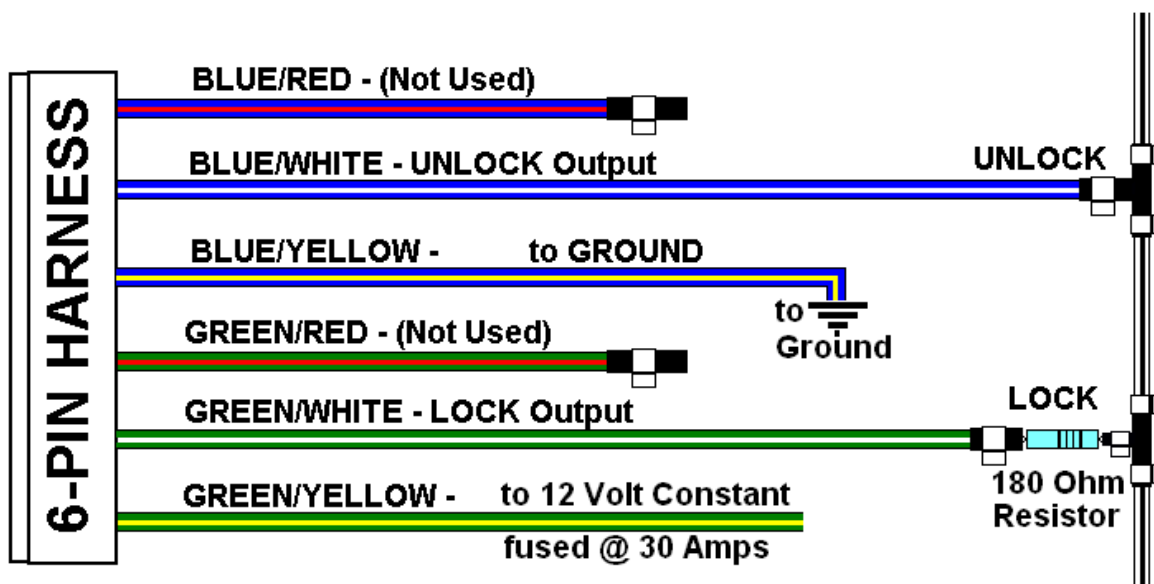


PORSCHE 1-Wire DOOR LOCKING SYSTEM:

Requires a 180 Ohm Resistor and (2) #775 Relays



DELUXE 500 Door Lock Harness:



NOTE *** Connect the BLUE/YELLOW wire to a GROUND and the GREEN/YELLOW wire to 12 Volt Constant and fuse @30 Amps