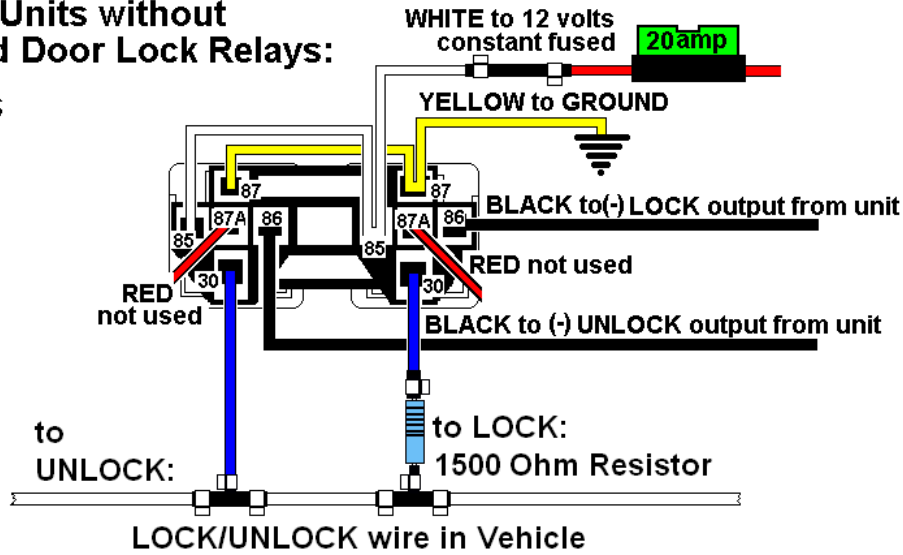
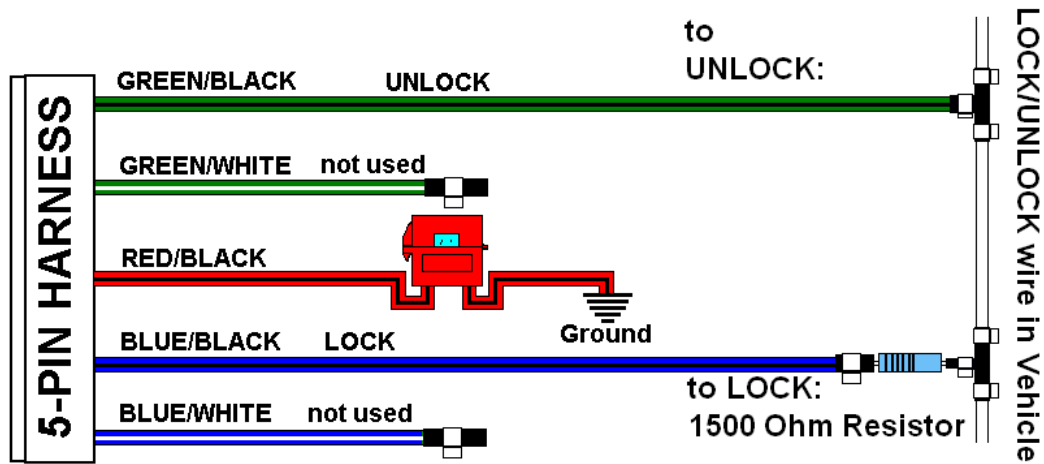


For JBS Units without On-board Door Lock Relays:

Requires
(1) 778 or
(2) 775's



For JBS Units with On-board Door Lock Relays:



NOTE: Connect the RED WITH BLACK STRIPE wire to ground.

