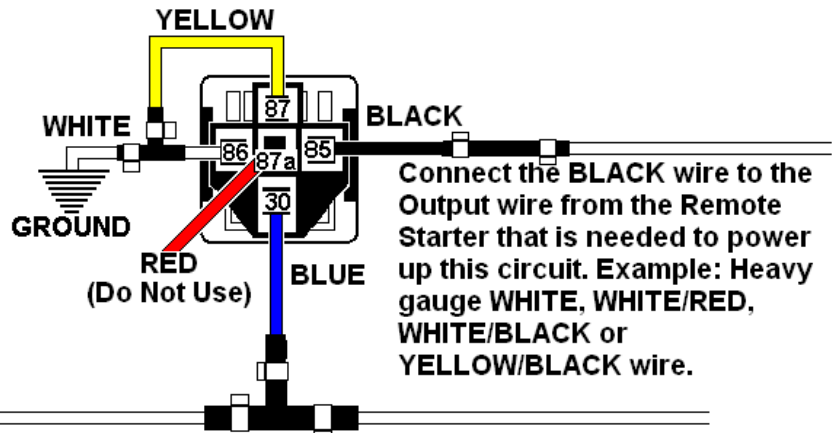


NEGATIVE IGNITION OUTPUT for vehicles with (-) Negative Ignitions:

If the Remote Starter has On-Board Relays for the Ignition Outputs use this diagram.



Connect the BLACK wire to the Output wire from the Remote Starter that is needed to power up this circuit. Example: Heavy gauge WHITE, WHITE/RED, WHITE/BLACK or YELLOW/BLACK wire.

Connect the BLUE wire (Pin #30) to the (-)Negative Ignition wire that is coming from the Ignition Switch and is heading towards the Relay in the vehicle.

If your Remote Starter Has an Off-Board Relay Pack use the Below Diagram.

Note *** You will need to Cut the 3-Pin Plug off of the Relay Pack Harness and wire as shown. You will also need to UNPLUG ALL (4) Relays from the Main Relay Pack Harness and Rewire these relays as shown:

