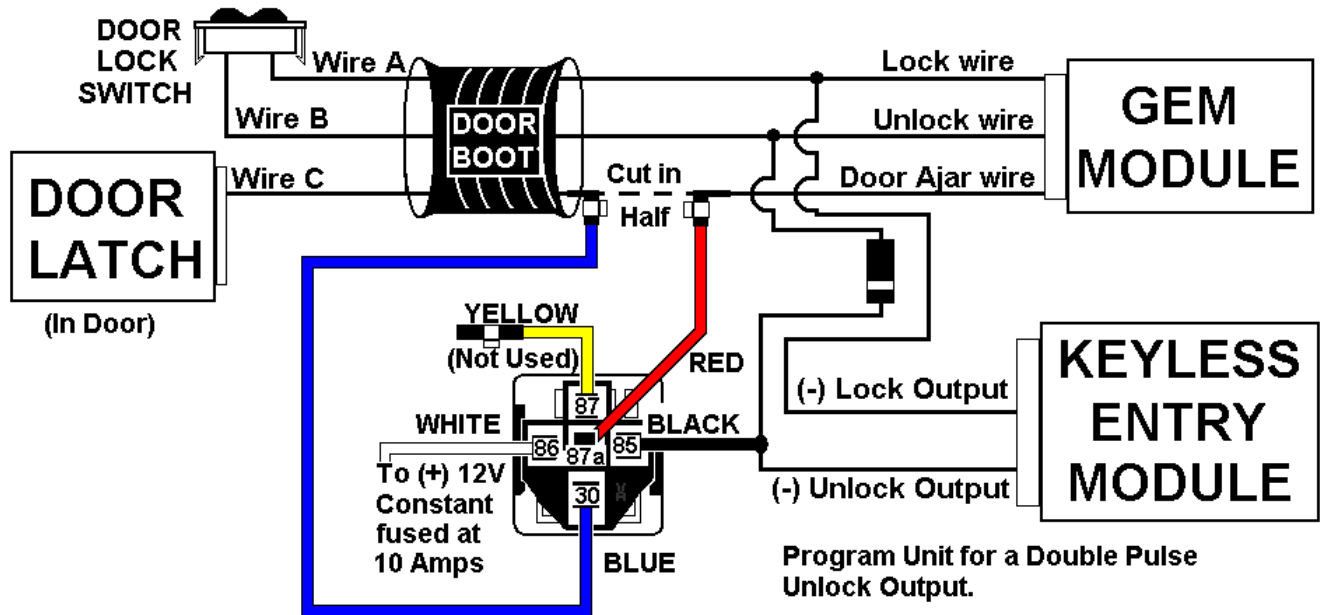


## FORD GEM WAKE UP DIAGRAM II:



NOTE: When testing the DOOR AJAR wire, it will rest at (-) Ground when the door is closed and pulse to (+) 12V when the door opens, then returns to (-) Ground. This Diagram will also activate the Dome Light when Unlocking

VEHICLE	Wire "A"	Wire "B"	Wire "C"
2002 EXCURSION	WHITE/RED	BLACK/WHITE	YELLOW/BLACK *
02 - 03 F-SERIES SUPER DUTY	WHITE/RED	BLACK/WHITE	YELLOW/BLACK *
02 - 03 EXPLORER	PINK/YELLOW	PINK/LIGHT GREEN	YELLOW/BLACK *
02 - 03 MOUNTAINEER	PINK/YELLOW	PINK/LIGHT GREEN	YELLOW/BLACK *

\* May also be a YELLOW/GREY