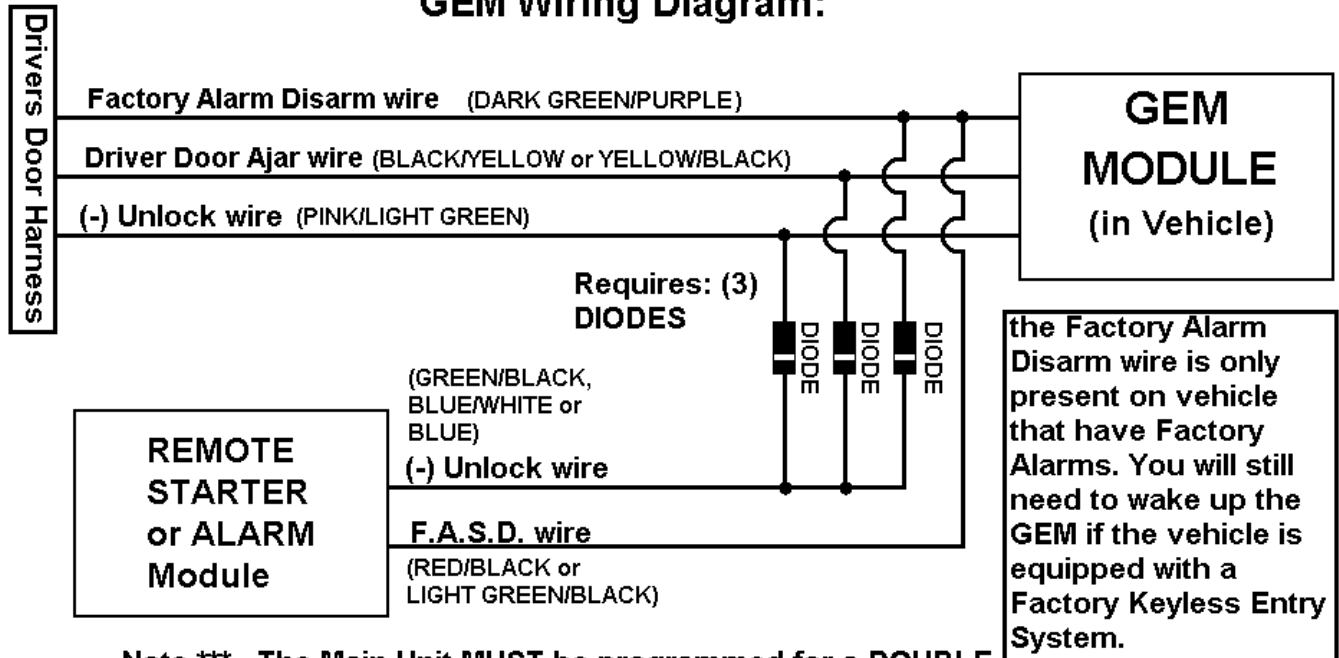


## GEM Wake-Up with Unlock:

For vehicles with factory Keyless Entry, the GEM (Generic Electronic Module) shuts down a few minutes after the doors have been locked to conserve battery power. An indication that the GEM is shutting down will be that the doors will NOT Unlock when disarming the alarm after the vehicle has been setting for a few minutes. The GEM must be awakened for the locks to function properly. The GEM will ONLY wake up if: the FACTORY Remote is used, a Door is Opened OR the Factory alarm is Disarmed.

### GEM Wiring Diagram:



Note \*\*\* The Main Unit MUST be programmed for a DOUBLE PULSE door Unlock.

If the vehicle DOES NOT have a Factory Alarm OR Factory Keyless Entry, the GEM Wire Diagram is not used and you then wire the Door Locks up as a TYPE "C" Door Lock System.