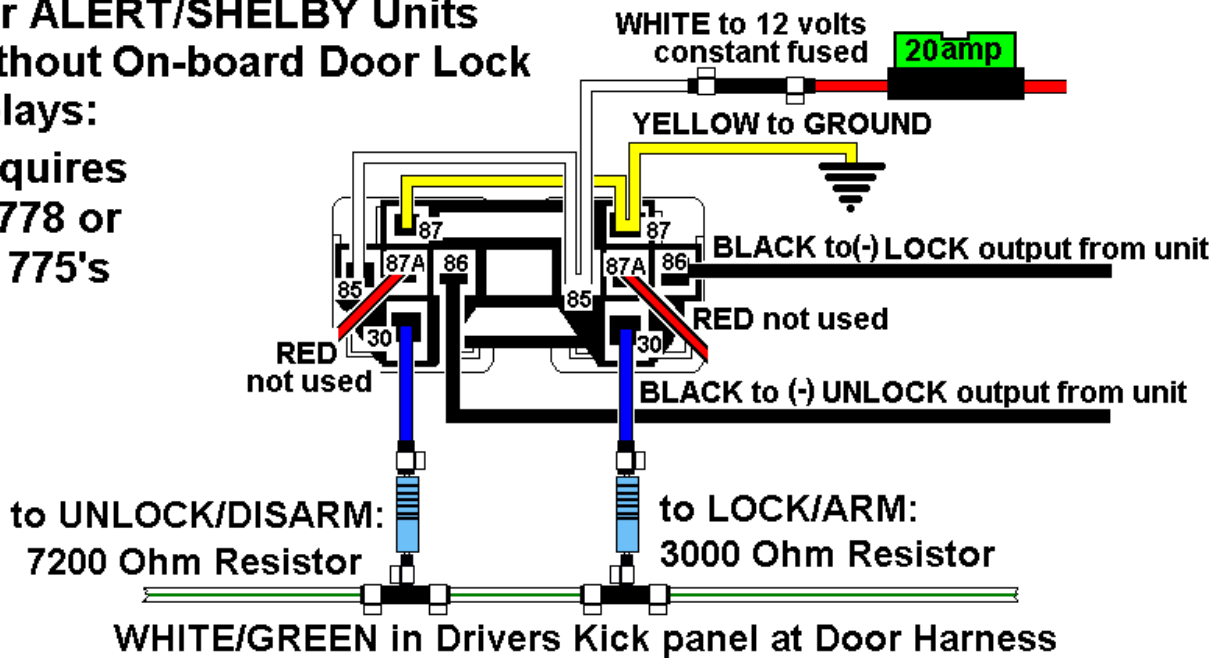
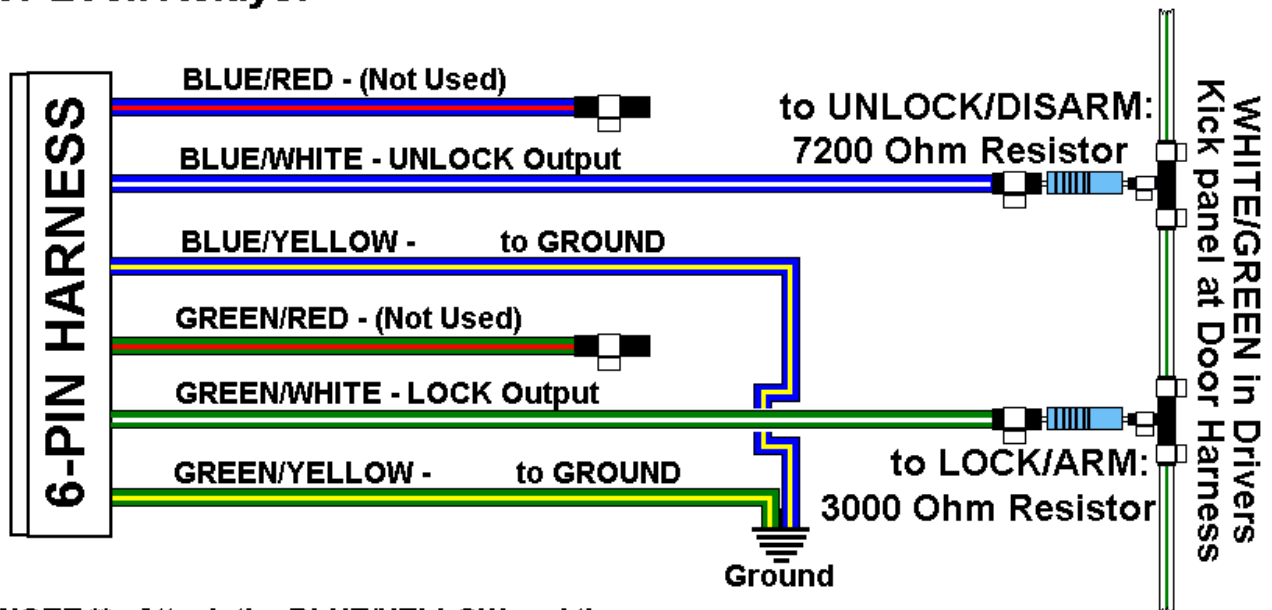


**For ALERT/SHELBY Units without On-board Door Lock Relays:**

**Requires  
(1) 778 or  
(2) 775's**



**For ALERT/SHELBY Units with On-board Door Lock Relays:**



**NOTE \*\* Attach the BLUE/YELLOW and the GREEN/YELLOW wires to a SOLID BODY GROUND.**