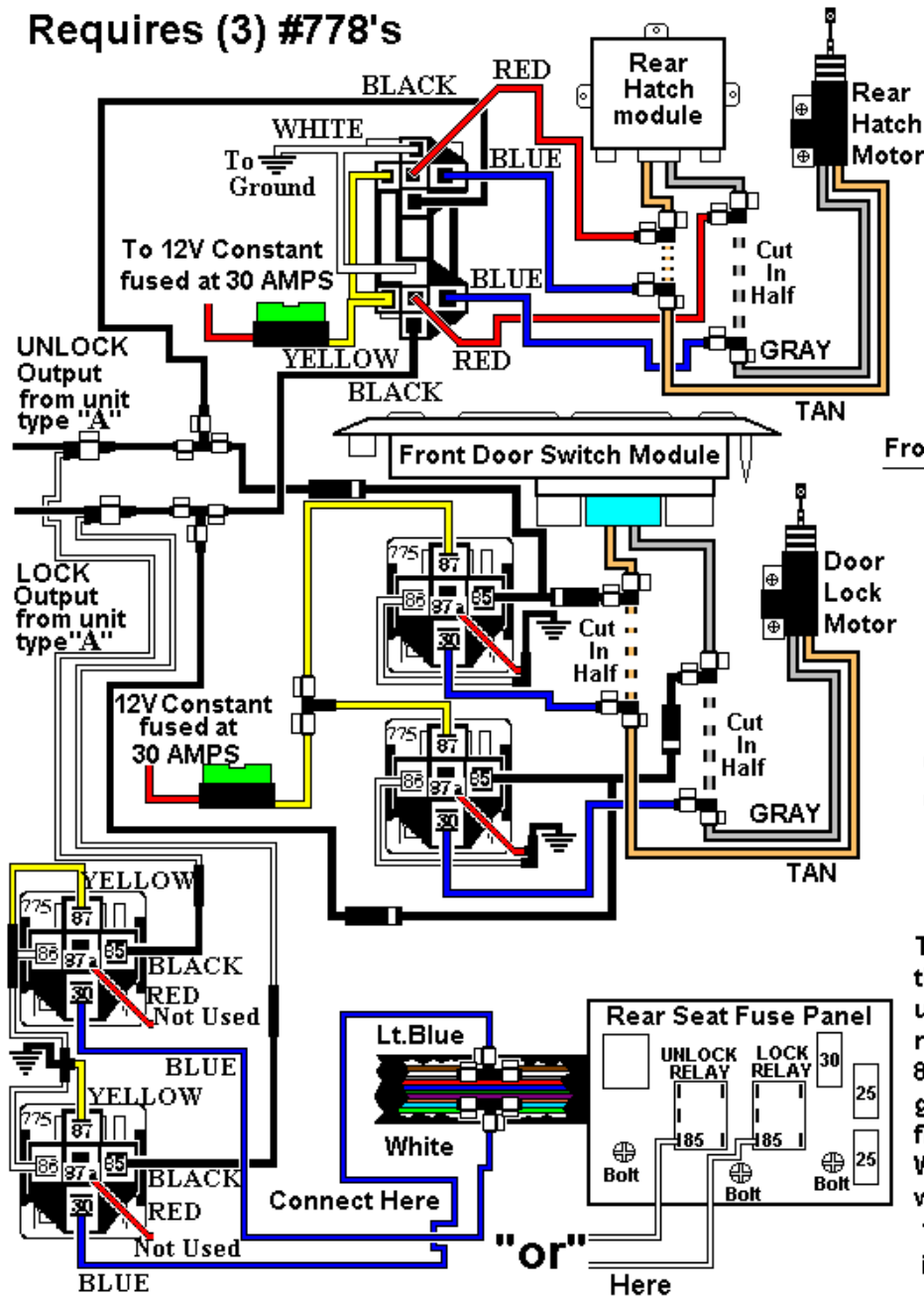


02-03 TRAILBLAZER, ENVOY, and BRAVADA POWER DOORLOCK INTERFACE.....

Requires (3) #778's



Rear Hatch Module Type "C":
Inside the rear hatch on the drivers side, is the hatch control module. In the Center plug are the TAN and GRAY rear hatch motor wires.

Requires (1) #778

Front Door Switch Module Type "C":

Pin B2 (TAN) and B3 (GRAY) of the large BLUE plug are the motor wires from the Door Lock switch to the motor in the door. This connection is required for BOTH front doors.

Requires (4) #775's
(2) for drivers door and
(2) for passenger door

Rear Seat Fuse Panel Type "B"

The rear doors are controlled by the relays inside the fuse center under the rear seat. Remove the relays and solder wires to pole 85 to activate OR in the harness going to the fuse center you will find a LT.BLUE for the lock and a WHITE for unlock these wires will test as a type "B".

Tie into these wires and diode isolate as shown.....