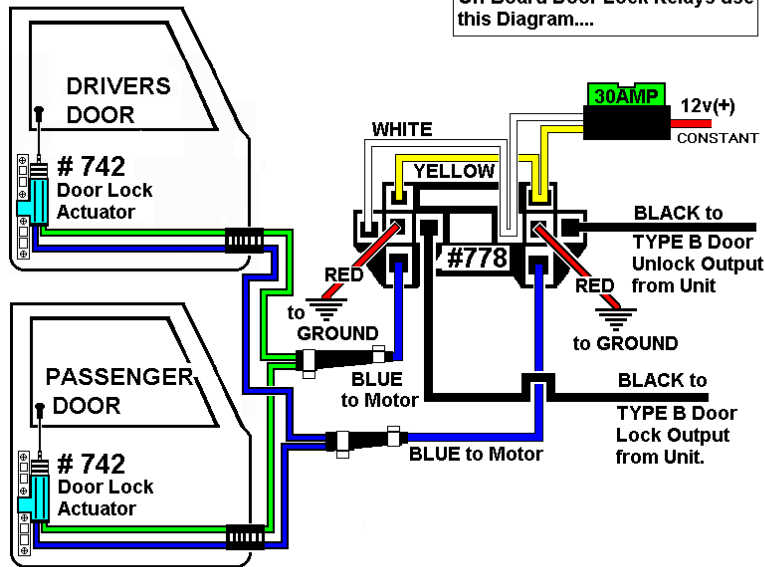


### DOOR LOCK ACTUATOR Diagram for JBS Units:

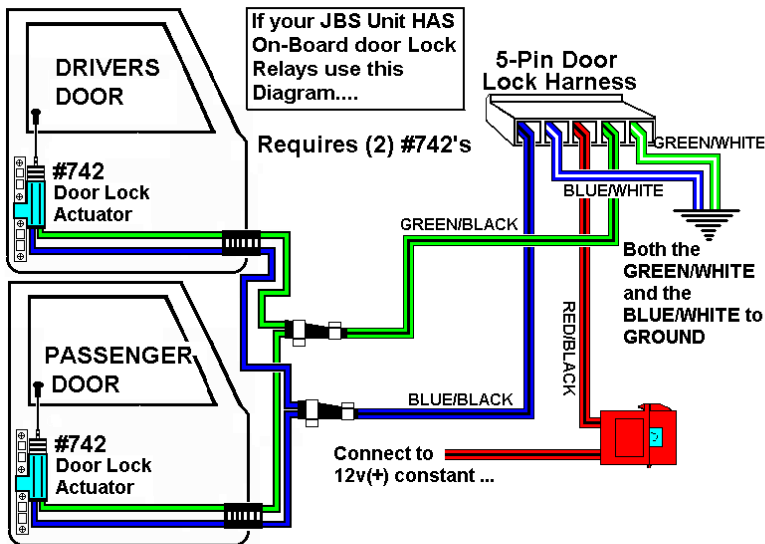
Requires (2) #742's and (1) #778

If your JBS Unit DOES NOT have On-Board Door Lock Relays use this Diagram....



If your JBS Unit HAS On-Board door Lock Relays use this Diagram....

Requires (2) #742's



### KE-100, KE-150 and 1702 Keyless Entry Units:

Requires (2) #742's

