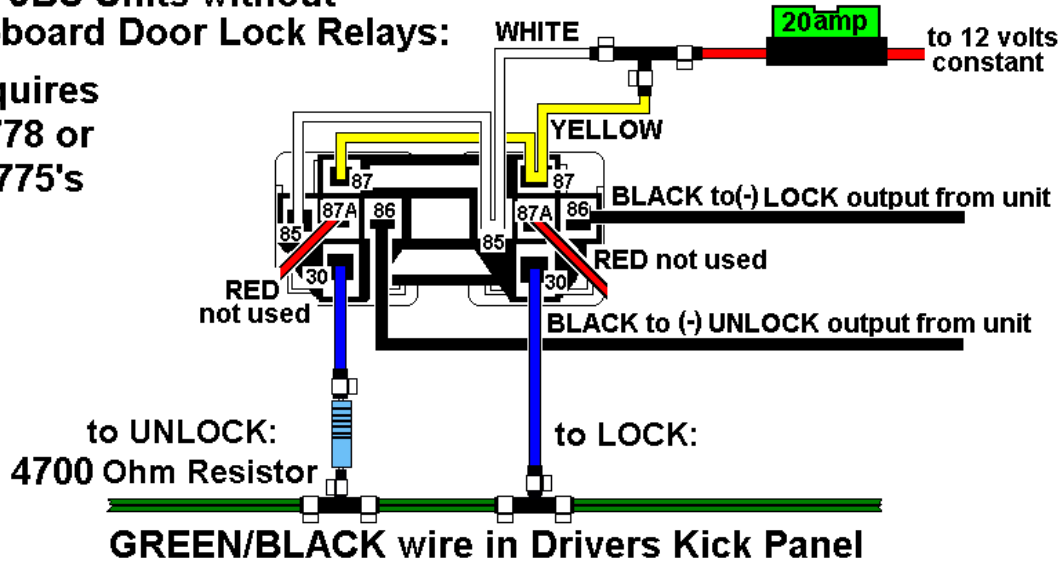
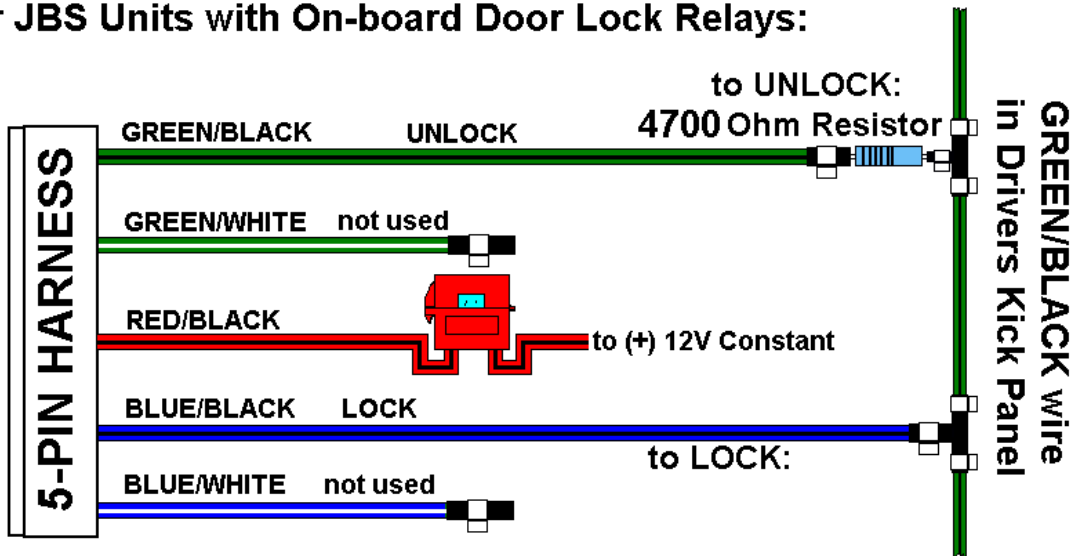


For JBS Units without
On-board Door Lock Relays:

Requires
(1) 778 or
(2) 775's



For JBS Units with On-board Door Lock Relays:



NOTE: Connect the RED WITH BLACK STRIPE (+) 12Volt Constant

KE-100, KE-150 and 1702

