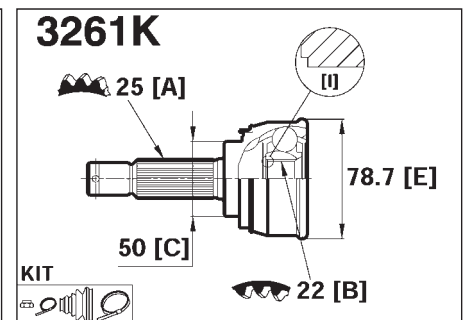
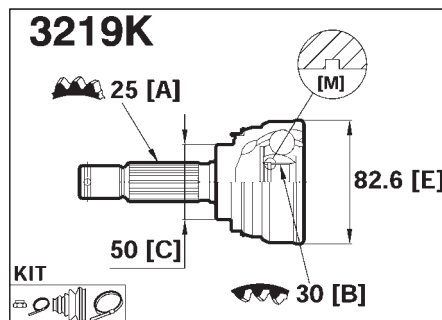
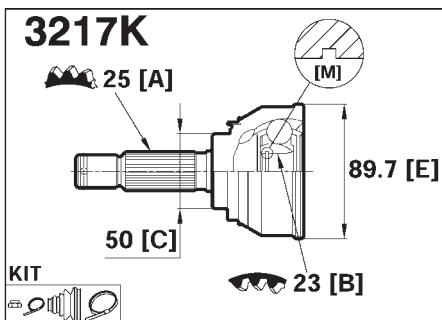
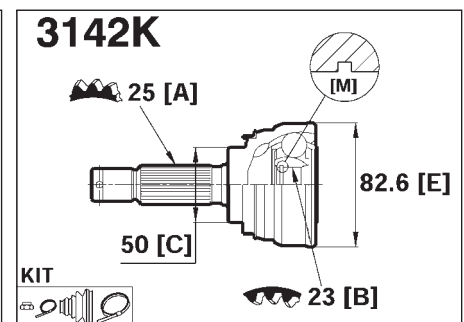
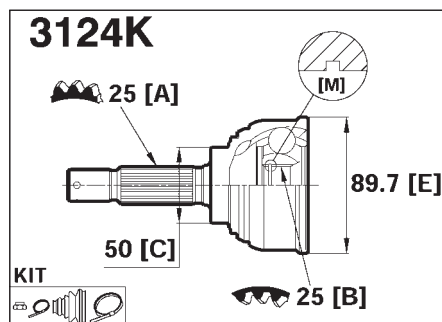
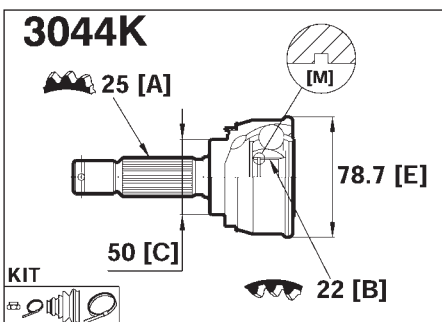


MITSUBISHI

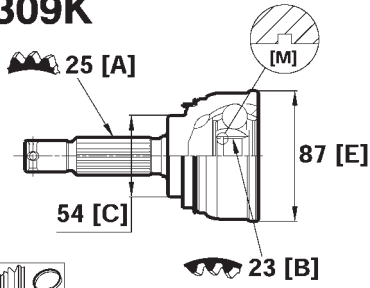
GLO N.	KIT	PCR	A	B	C	ABS	E	D(mm)	L(mm)	I/M/O
3044K	5015	P2	25	22	50,0		78,70			M
3124K	5196	M2L	25	25	50,0		89,70			M
3142K	5066	P2H	25	23	50,0		82,60			M
3217K	5079	M2	25	23	50,0		89,70			M
3219K	5181	P2H	25	30	50,0		82,60			M
3261K	5159	P2H	25	22	50,0		78,70			I
3309K	5116	M2	25	23	54,0		87,00			M
3310K	5182	P2	25	23	54,0		82,60			M
3325K	5135	P2	25	30	54,0		82,00			M
3328K	5194	M1	25	24	54,0		85,70			M
3329K	5194	M1H	25	24	54,0	43	85,70			M

GLO N.	KIT	PCR	A	B	C	ABS	E	D(mm)	L(mm)	I/M/O
3416K	5135	M2L	25	30	54,0		82,60			I
3435K	5135	M2H	25	30	54,0	43	82,7			I
3452K	5XXX	P2	27	18	43,0		68,00			M
3456K	5172	M2	25	26	54,0		94,50			I
3458K	5224	P2	25	22	54,0		79,00			M
3459K	5XXX	M1	25	25	50,0		89,50			M
3460K	5XXX	P2	25	23	54,0		85,00			I
3461K	5XXX	M2	25	26	50,0		95,00			M
3524K	5XXX	M2	27	26	60,0		94,60			I
3528K	5246	M1H	25	29	54,0	43	84,00			O
3584K	5XXX	M3	25	23	54,0		86,90			I

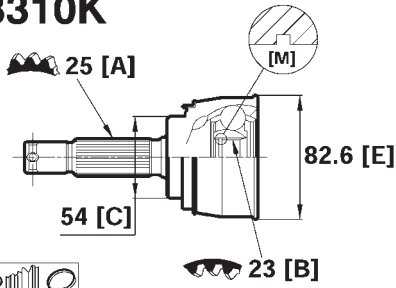
MITSUBISHI



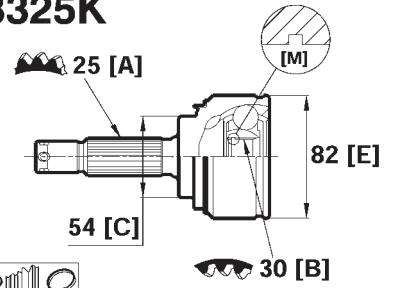
3309K



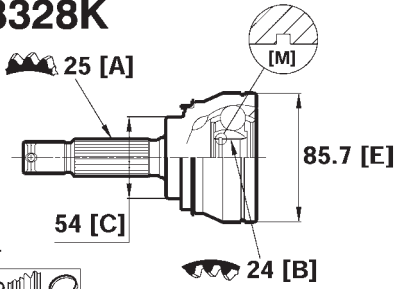
3310K



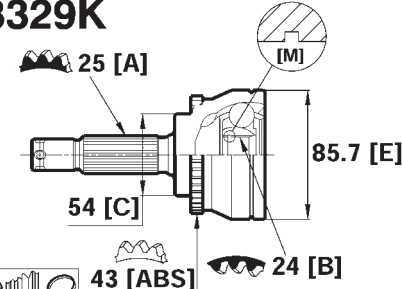
3325K



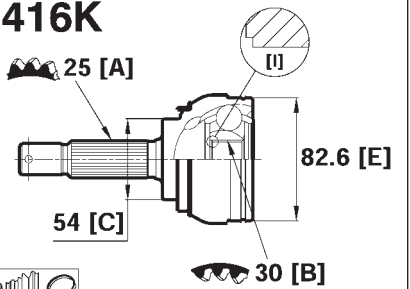
3328K



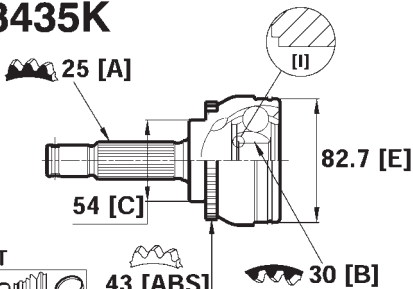
3329K



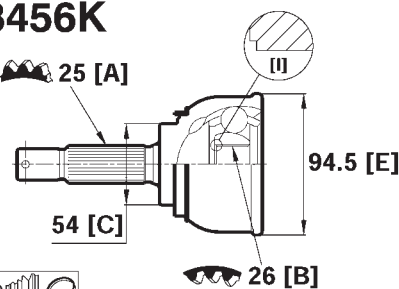
3416K



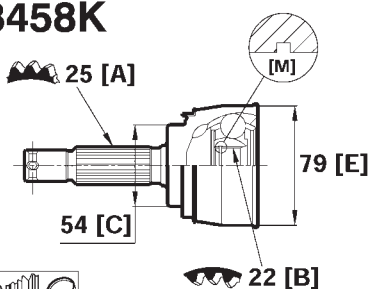
3435K



3456K



3458K



3528K

