

2007 Honda Element EX

2007-2008 ELECTRICAL Connectors and Harnesses - Element

2007-2008 ELECTRICAL

Connectors and Harnesses - Element

CONNECTOR INDEX

Identification numbers have been assigned to in-line connectors. The number is preceded by the letter "C" for connectors, "G" for ground terminals or "I" for non-ground terminals.

CONNECTOR INDEX

Harness	Location			
	Engine Compartment	Dashboard	Others (Floor, Door, Tailgate, and Roof)	Notes
A/C wire harness		C851 through C853		(see <u>A/C WIRE HARNESS</u>)
Battery ground cable	T3, (-) G1			(see <u>BATTERY GROUND CABLE</u>)
Console subharness (SC model)		C570		(see <u>CONSOLE SUBHARNESS (SC MODEL)</u>)
Dashboard wire harness A (Left branch)		C403, C406, C453, C454, C501, C502, C504, C751 and C752 G501		(see <u>DASHBOARD WIRE HARNESS A (LEFT BRANCH)</u>)
Dashboard wire harness A (Right branch)		C551, C552, C561, C562, C651 through C653, C781, C851, C852, C855 G502 and G503		(see <u>DASHBOARD WIRE HARNESS A (RIGHT BRANCH)</u>)
Dashboard wire harness B		C401 through C404 G401		(see <u>DASHBOARD WIRE HARNESS B</u>)
Driver's door wire harness		C751, C752		(see <u>DRIVER'S DOOR WIRE HARNESS</u>)
ECM/PCM wire harness		C101, C451 through C457 G451	C554, C570, C571, C601, C602, C681 G553	(see <u>ECM/PCM WIRE HARNESS</u>)
Engine compartment wire harness (Dashboard)		C401, C402, C405, C451, C452, C501, C502, C553, C853	G402	(see <u>ENGINE COMPARTMENT WIRE HARNESS (DASHBOARD)</u>)
Engine compartment wire				(see <u>ENGINE COMPARTMENT WIRE</u>)

2007 Honda Element EX

2007-2008 ELECTRICAL Connectors and Harnesses - Element

harness (Left branch) (Except SC model)	G301			<u>HARNES (LEFT BRANCH) (EXCEPT SC MODEL))</u>
Engine compartment wire harness (Left branch) (SC model)	C350, G301			(see <u>ENGINE COMPARTMENT WIRE HARNESS (LEFT BRANCH) (SC MODEL))</u>)
Engine compartment wire harness (Right branch) (Except SC model)	G201, G202			(see <u>ENGINE COMPARTMENT WIRE HARNESS (RIGHT BRANCH) (EXCEPT SC MODEL))</u>)
Engine compartment wire harness (Right branch) (SC model)	C250 G201, G202			(see <u>ENGINE COMPARTMENT WIRE HARNESS (RIGHT BRANCH) (SC MODEL))</u>)
Engine ground cable	T4 G2			(see <u>ENGINE GROUND CABLE)</u>)
Engine wire harness	C102 through C106, C108 G101, G102	C101, C107		(see <u>ENGINE WIRE HARNESS)</u>)
Floor wire harness (Left branch)			C554, C570, C571, C601, C602, C681 G553	(see <u>FLOOR WIRE HARNESS (LEFT BRANCH))</u>)
Floor wire harness (Right branch)		C404, C455, C456, C551, C552, C553, C559, C561, C562	C556, C558, C560, C604 G551, G552	(see <u>FLOOR WIRE HARNESS (RIGHT BRANCH))</u>)
Front passenger's door wire harness		C781		(see <u>FRONT PASSENGER'S DOOR WIRE HARNESS)</u>)
Hatch wire harness			C601 through C603	(see <u>HATCH WIRE HARNESS)</u>)
Left headlight subharness (SC model)	C350			(see <u>LEFT HEADLIGHT SUBHARNES (SC MODEL))</u>)
Left rear door subharness			C554, C771	(see <u>LEFT REAR DOOR SUBHARNES)</u>)
Left rear door wire harness			C771 G771	(see <u>LEFT REAR DOOR WIRE HARNESS)</u>)
ODS unit harness			C560	(see <u>ODS UNIT HARNESS)</u>)
Right headlight subharness (SC model)	C250			(see <u>ENGINE COMPARTMENT WIRE HARNESS (RIGHT</u>

2007 Honda Element EX

2007-2008 ELECTRICAL Connectors and Harnesses - Element

				BRANCH) (SC MODEL))
Right rear door subharness		C851 through C853	C556, C761	(see <u>RIGHT REAR DOOR SUBHARNESS</u>)
Right rear door wire harness			C761 G751	(see <u>RIGHT REAR DOOR WIRE HARNESS</u>)
Roof wire harness		C651 through C653	C603 and C604	(see <u>ROOF WIRE HARNESS</u>)
Seat position sensor subharness			C571	(see <u>FLOOR WIRE HARNESS (LEFT BRANCH)</u>)
Shift solenoid wire harness (A/T)				(see <u>SHIFT CONTROL SOLENOID WIRE HARNESS (A/T)</u>)
Starter subharness	C102, C103, (+) T101 through T104			(see <u>STARTER SUBHARNESS</u>)
Tailgate wire harness			C681	(see <u>HATCH WIRE HARNESS</u>)
TPMS subharness		C855		(see <u>DASHBOARD WIRE HARNESS A (RIGHT BRANCH)</u>)
Transmission range switch subharness (A/T)	C104			(see <u>TRANSMISSION RANGE SWITCH SUBHARNESS (A/T)</u>)
Tweeter subharness		C504		(see <u>TWEETER SUBHARNESS</u>)
VSA/Fuel pump wire harness			C558	(see <u>VSA/FUEL PUMP WIRE HARNESS</u>)

CONNECTOR TO HARNESS INDEX

BATTERY GROUND CABLE

CONNECTOR TO HARNESS INDEX

Connector or Terminal	Ref	Cavities	Location	Connects to	Notes
T3	3		Transmission housing	Transmission hanger bracket	
G1	1		Left side of engine compartment	Body ground via battery ground cable	
(-)	2		Battery	Battery negative terminal	

ENGINE GROUND CABLE

CONNECTOR TO HARNESS INDEX

--	--	--	--	--	--

2007 Honda Element EX

2007-2008 ELECTRICAL Connectors and Harnesses - Element

Connector or Terminal	Ref	Cavities	Location	Connects to	Notes
T4	5		Right side of engine compartment		
G2	4		Right side of engine compartment	Body ground, via engine ground cable	

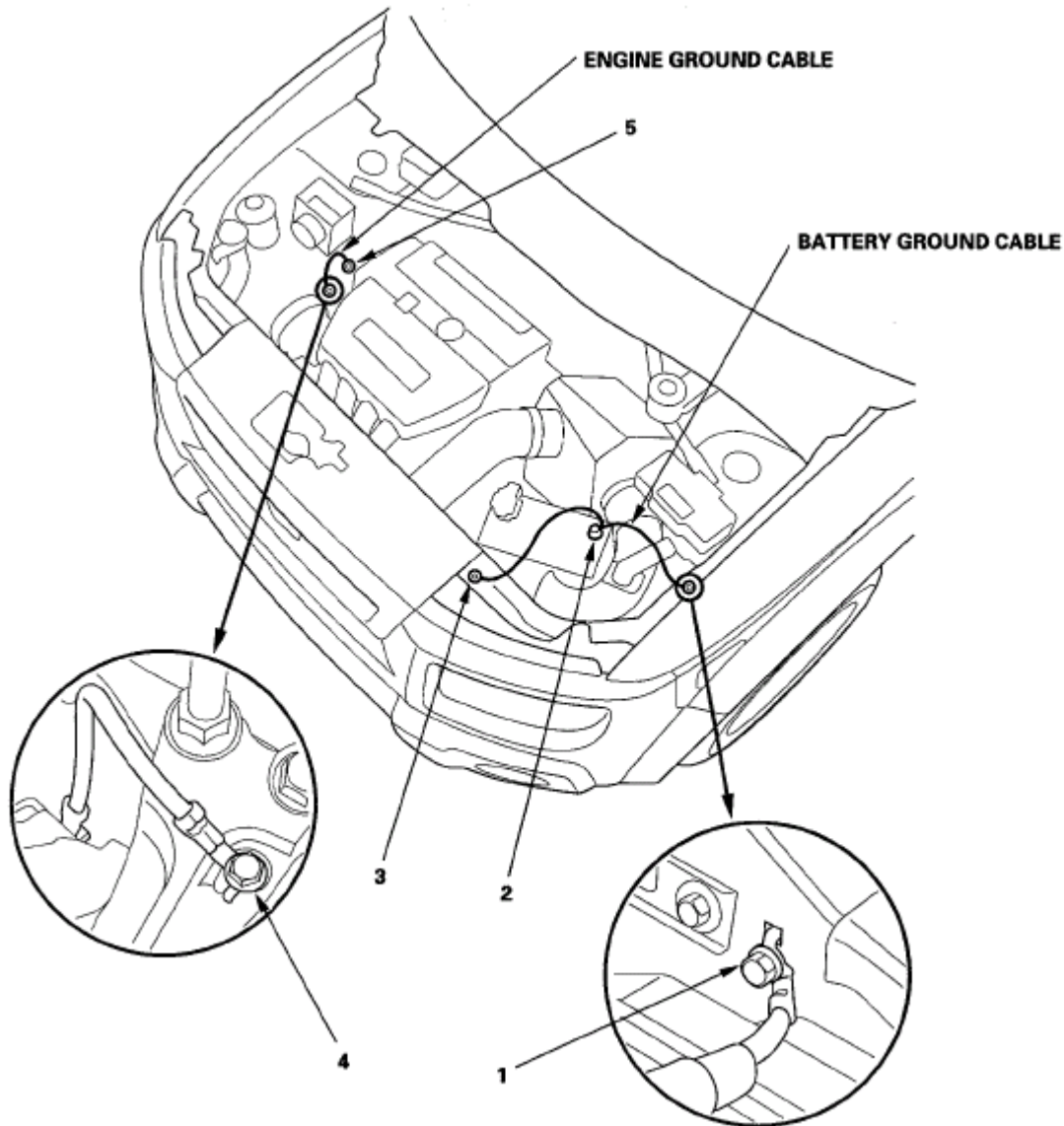


Fig. 1: Identifying Battery Ground Cable
 Courtesy of AMERICAN HONDA MOTOR CO., INC.

STARTER SUBHARNESS

CONNECTOR TO HARNESS INDEX

--	--	--	--	--	--

2007 Honda Element EX

2007-2008 ELECTRICAL Connectors and Harnesses - Element

Connector or Terminal	Ref	Cavities	Location	Connects to	Notes
Alternator	1	4	Right side of engine compartment		
Knock sensor	3	1	Front of engine		
Starter solenoid	5	1	Front of engine		
C102	9	6	Left side of engine compartment	Engine wire harness (see <u>ENGINE WIRE HARNESS</u>)	
C103	10	1	Middle of engine	Engine wire harness (see <u>ENGINE WIRE HARNESS</u>)	
T101	7		Left side of engine compartment	Under-hood fuse/relay box	
T102	6		Left side of engine compartment	Under-hood fuse/relay box	
T103	2		Right side of engine compartment	Alternator	
T104	4		Middle of engine	Starter motor	
(+)	8		Left side of engine compartment	Battery positive terminal	

2007 Honda Element EX

2007-2008 ELECTRICAL Connectors and Harnesses - Element

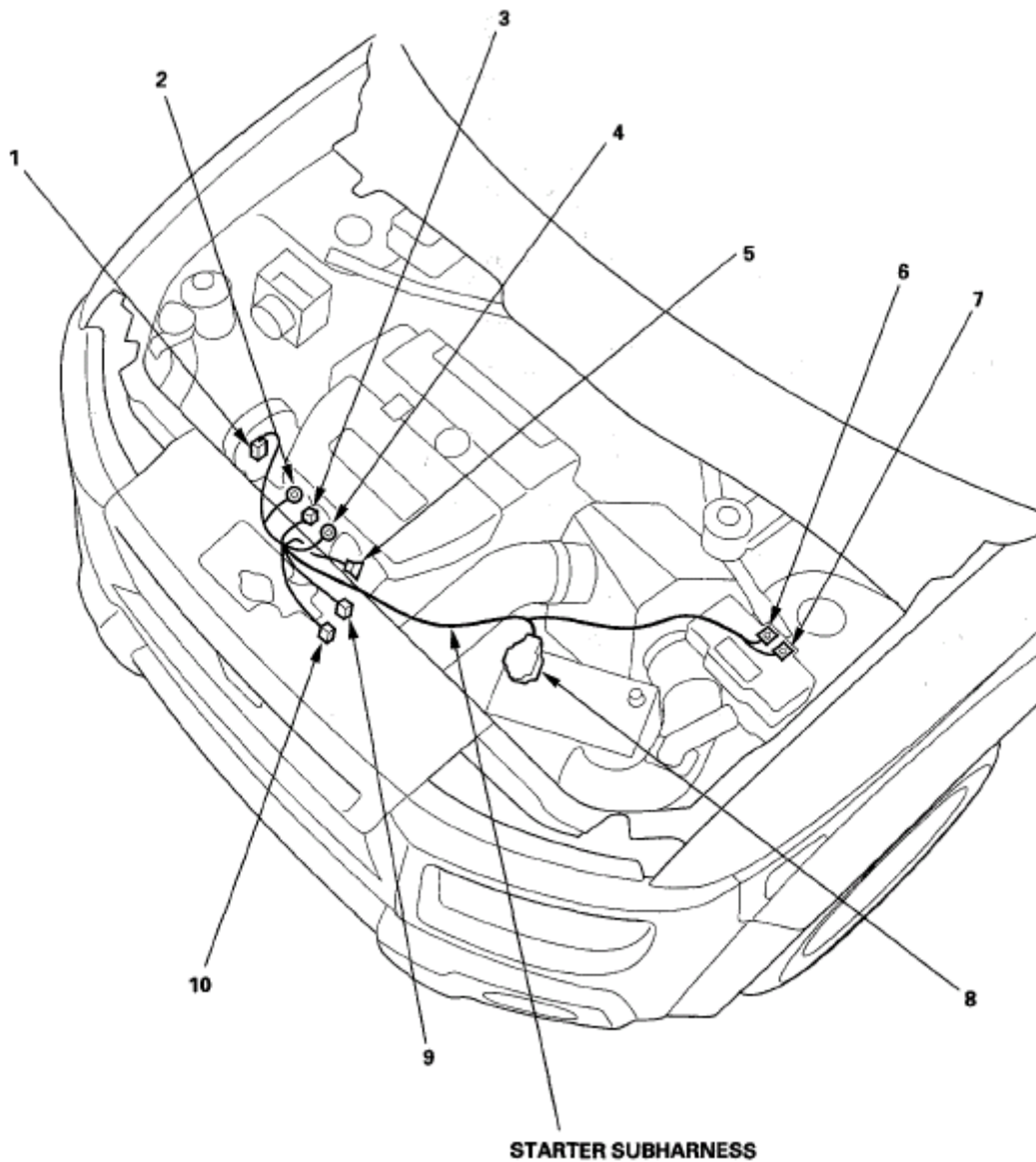


Fig. 2: Identifying Starter Subharness

Courtesy of AMERICAN HONDA MOTOR CO., INC.

ENGINE WIRE HARNESS

CONNECTOR TO HARNESS INDEX

Connector or Terminal	Ref	Cavities	Location	Connects to	Notes
A/T clutch pressure control solenoid valve A	24	2	Transmission housing		A/T
A/T clutch pressure control solenoid valve B	34	2	Transmission housing		A/T
A/T clutch pressure control solenoid valve	27	2	Transmission housing		A/T

2007 Honda Element EX

2007-2008 ELECTRICAL Connectors and Harnesses - Element

C				
Back-up light switch	36	2	Transmission housing	M/T
Camshaft position (CMP) sensor A	17	3	Left side of engine	
Camshaft position (CMP) sensor B	14	3	Left side of engine	
CKP sensor	47	3	Right side of engine	
ECM/PCM connector A	9	31	Behind glove box	
ECM/PCM connector B	8	24	Behind glove box	
ECM/PCM connector C	7	22	Behind glove box	
Engine coolant temperature (ECT) sensor 1	15	2	Left side of engine	
EVAP canister purge valve	16	2	Left side of engine	
Ignition coil No. 1	4	3	Middle of engine	
Ignition coil No. 2	10	3	Middle of engine	
Ignition coil No. 3	11	3	Middle of engine	
Ignition coil No. 4	12	3	Middle of engine	
Injector No. 1	46	2	Middle of engine	
Injector No. 2	45	2	Middle of engine	
Injector No. 3	44	2	Middle of engine	
Injector No. 4	42	2	Middle of engine	
Input shaft (Mainshaft) speed sensor	22	3	Transmission housing	A/T
MAF sensor/IAT sensor	37	5	Intake air duct	
MAP sensor	39	3	Front of engine compartment	
Oil pressure switch	1	1	Right side of engine	
Output shaft (Countershaft) speed sensor	21	3	Transmission housing	A/T
Output shaft (Countershaft) speed sensor	20	3	Transmission housing	M/T
Rocker arm oil control solenoid	2	2	Right side of engine	
Rocker arm oil pressure switch	3	2	Right side of engine	
TP sensor/throttle actuator	38	6	Left side of intake manifold	
VTC oil control solenoid valve	48	2	Right side of engine	
2nd clutch transmission fluid pressure switch	35	1	Transmission housing	A/T
3rd clutch transmission fluid pressure switch	26	1	Transmission housing	A/T

2007 Honda Element EX

2007-2008 ELECTRICAL Connectors and Harnesses - Element

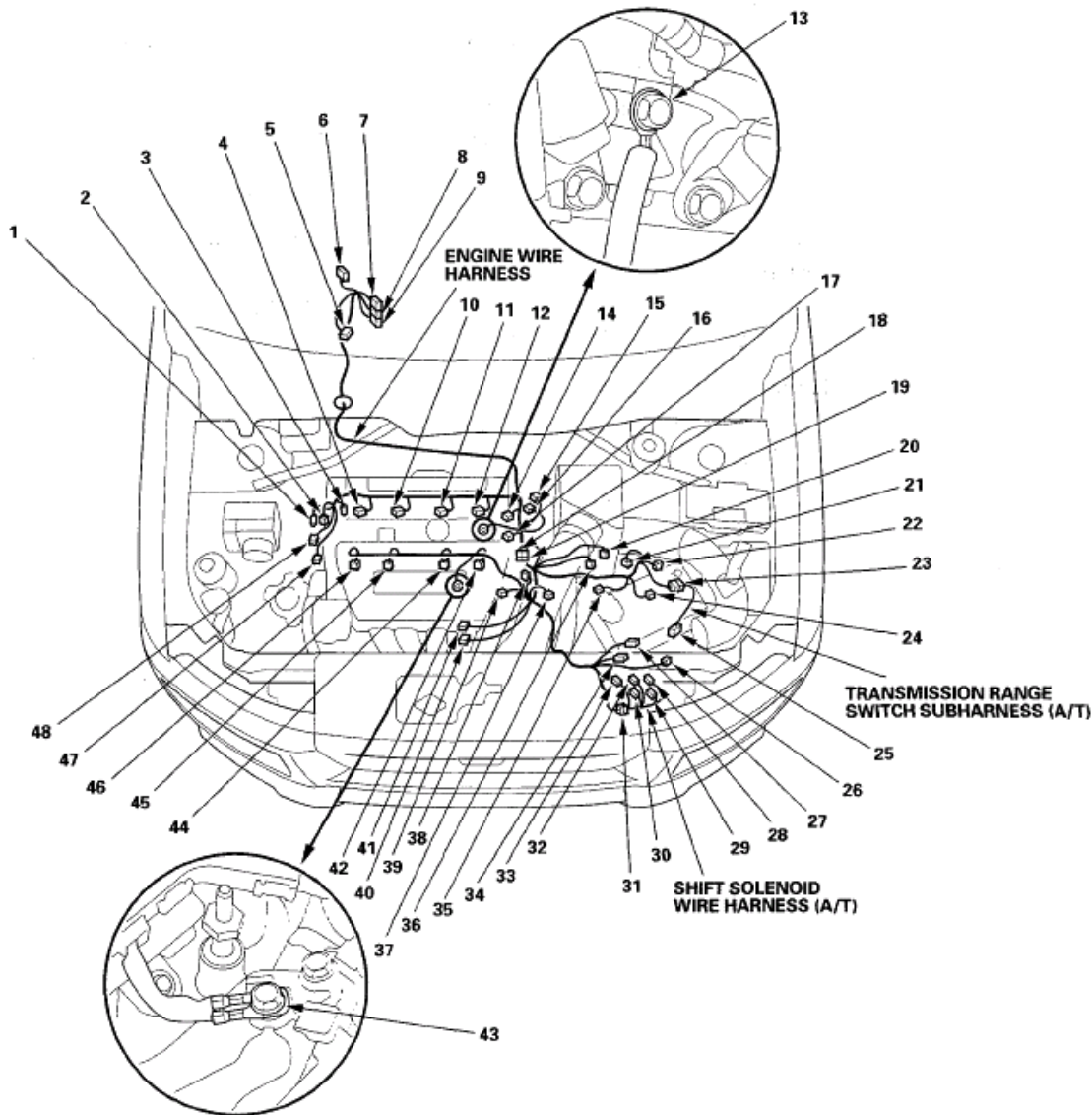


Fig. 3: Identifying Engine Wire Harness
 Courtesy of AMERICAN HONDA MOTOR CO., INC.

CONNECTOR TO HARNESS INDEX

Connector or Terminal	Ref	Cavities	Location	Connects to	Notes
C101	6	20	Behind glove box	ECM/PCM wire harness (see ECM/PCM WIRE HARNESS)	
C102	40	6	Middle of engine	Starter subharness (see STARTER SUBHARNESS)	
C103	41	1	Middle of engine	Starter subharness (see STARTER SUBHARNESS)	
C104	23	10	Transmission housing	Transmission range switch subharness	A/T

2007 Honda Element EX

2007-2008 ELECTRICAL Connectors and Harnesses - Element

C105 (Junction connector)	18	24	Left side of engine		
C106 (Junction connector)	19	24	Left side of engine		
C107 (Junction connector)	5	20	Behind glove box		
C108	31	8	Transmission housing	Shift control solenoid wire harness	A/T
G101	43		Middle of engine	Engine ground, via engine wire harness	
G102	13		Left side of engine	Engine ground, via engine wire harness	

TRANSMISSION RANGE SWITCH SUBHARNESS (A/T)

CONNECTOR TO HARNESS INDEX

Connector or Terminal	Ref	Cavities	Location	Connects to	Notes
Transmission range switch	25	10	Left side of engine compartment		
C104	23	10	Transmission housing	Engine wire harness	

SHIFT CONTROL SOLENOID WIRE HARNESS (A/T)

CONNECTOR TO HARNESS INDEX

Connector or Terminal	Ref	Cavities	Location	Connects to	Notes
Shift control solenoid valve A	29	1	In transmission		
Shift control solenoid valve B	28	1	In transmission		
Shift control solenoid valve C	33	1	In transmission		
Shift control solenoid valve D	30	1	In transmission		
ATF temperature sensor	34	1	In transmission		
Shift control solenoid valve E	32	1	In transmission		
C108	31	8	Transmission housing	Engine wire harness	

2007 Honda Element EX

2007-2008 ELECTRICAL Connectors and Harnesses - Element

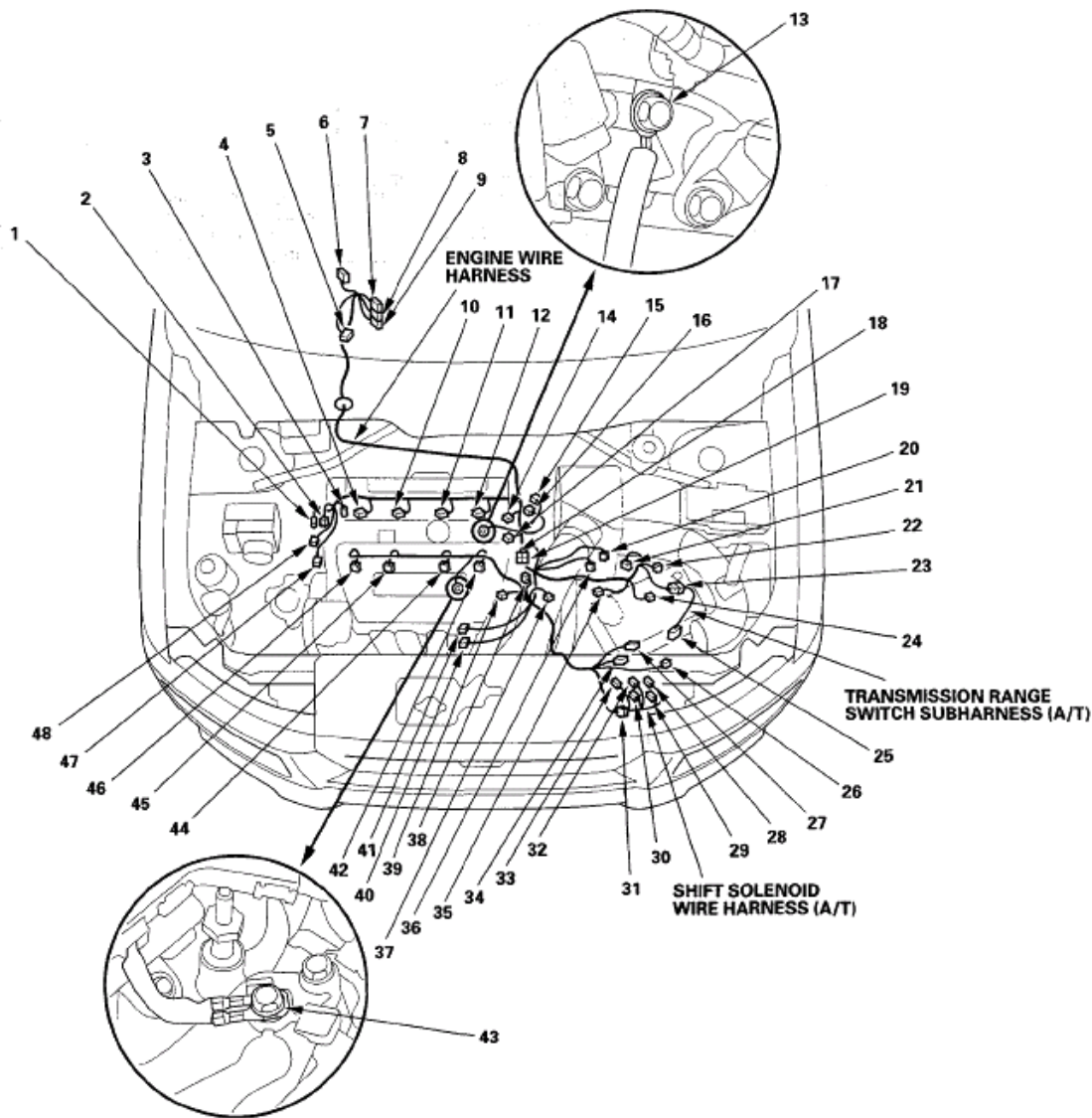


Fig. 4: Identifying Engine Wire Harness

Courtesy of AMERICAN HONDA MOTOR CO., INC.

ENGINE COMPARTMENT WIRE HARNESS (RIGHT BRANCH) (EXCEPT SC MODEL)

CONNECTOR TO HARNESS INDEX

Connector or Terminal	Ref	Cavities	Location	Connects to	Notes
A/C compressor clutch	12	1	Front of engine compartment		
A/C condenser fan motor	14	2	Front of engine compartment		
A/C pressure switch	10	2	Right side of engine compartment		
Engine coolant			Front of engine		

2007 Honda Element EX

2007-2008 ELECTRICAL Connectors and Harnesses - Element

temperature (ECT) sensor 2	13	2	compartment		
Rear window washer motor	5	2	Behind right side of front bumper		
Right front wheel sensor	11	2	Right side of engine compartment		
Right side marker light	2	2	Behind right headlight		
Right front turn signal/parking light	3	3	Behind right headlight		
Right headlight	9	3	Behind right headlight		
VSA modulator-control unit	1	47	Right side of engine compartment		
Washer fluid level switch	6	2	Behind right side of front bumper		Canada models
Windshield washer motor	4	2	Behind right side of front bumper		
G201	7		Behind right side of front bumper	Body ground, via engine compartment wire harness	
G202	8		Behind right side of front bumper	Body ground, via engine compartment wire harness	

2007 Honda Element EX

2007-2008 ELECTRICAL Connectors and Harnesses - Element

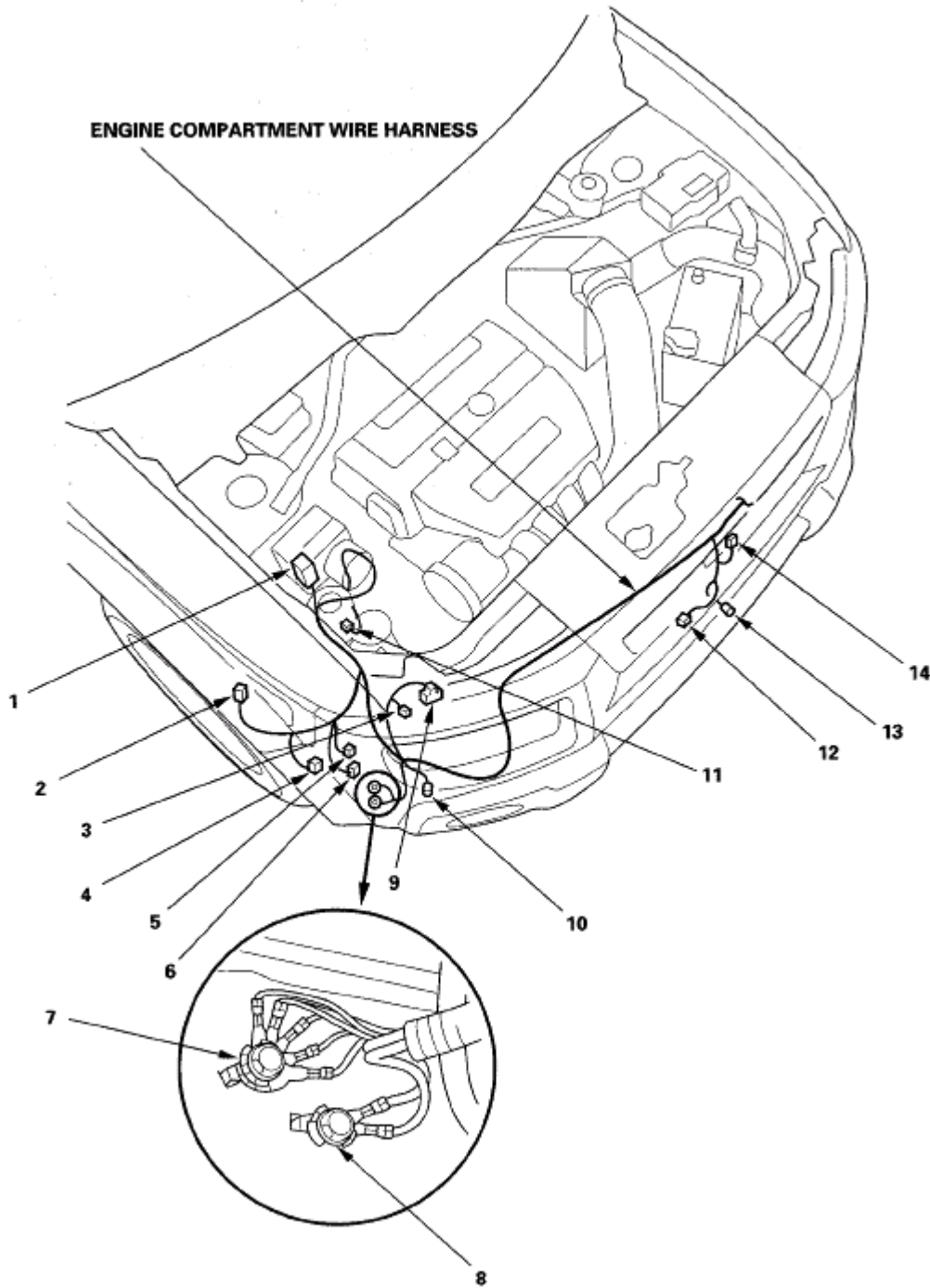


Fig. 5: Identifying Engine Compartment Wire Harness (Right Branch) (Except SC Model)
 Courtesy of AMERICAN HONDA MOTOR CO., INC.

ENGINE COMPARTMENT WIRE HARNESS (RIGHT BRANCH) (SC MODEL)

CONNECTOR TO HARNESS INDEX

Connector or Terminal	Ref Cavities	Location	Connects to	Notes

2007 Honda Element EX

2007-2008 ELECTRICAL Connectors and Harnesses - Element

A/C compressor clutch	14	1	Front of engine compartment		
A/C condenser fan motor	16	2	Front of engine compartment		
A/C pressure switch	8	2	Right side of engine compartment		
Engine coolant temperature (ECT) sensor 2	15	2	Front of engine compartment		
Rear window washer motor	4	2	Behind right side of front bumper		
Right front wheel sensor	2	2	Right side of engine compartment		
Right side marker light	9	2	Behind right headlight		
Right front turn signal/parking light	10	3	Behind right headlight		
Right headlight (connector B)	13	2	Behind right headlight		
VSA modulator-control unit	1	47	Right side of engine compartment		
Washer fluid level switch	5	2	Behind right side of front bumper		Canada models
Windshield washer motor	3	2	Behind right side of front bumper		
C250	12	2	Behind right headlight	Right headlight subharness	
G201	6		Behind right side of front bumper	Body ground, via engine compartment wire harness	
G202	7		Behind right side of front bumper	Body ground, via engine compartment wire harness	

RIGHT HEADLIGHT SUBHARNESS (SC MODEL)

CONNECTOR TO HARNESS INDEX

Connector or Terminal	Ref	Cavities	Location	Connects to	Notes
Right headlight connector A	11	2	Behind right headlight		
C250	12	2	Behind right headlight	Engine compartment	

2007 Honda Element EX

2007-2008 ELECTRICAL Connectors and Harnesses - Element

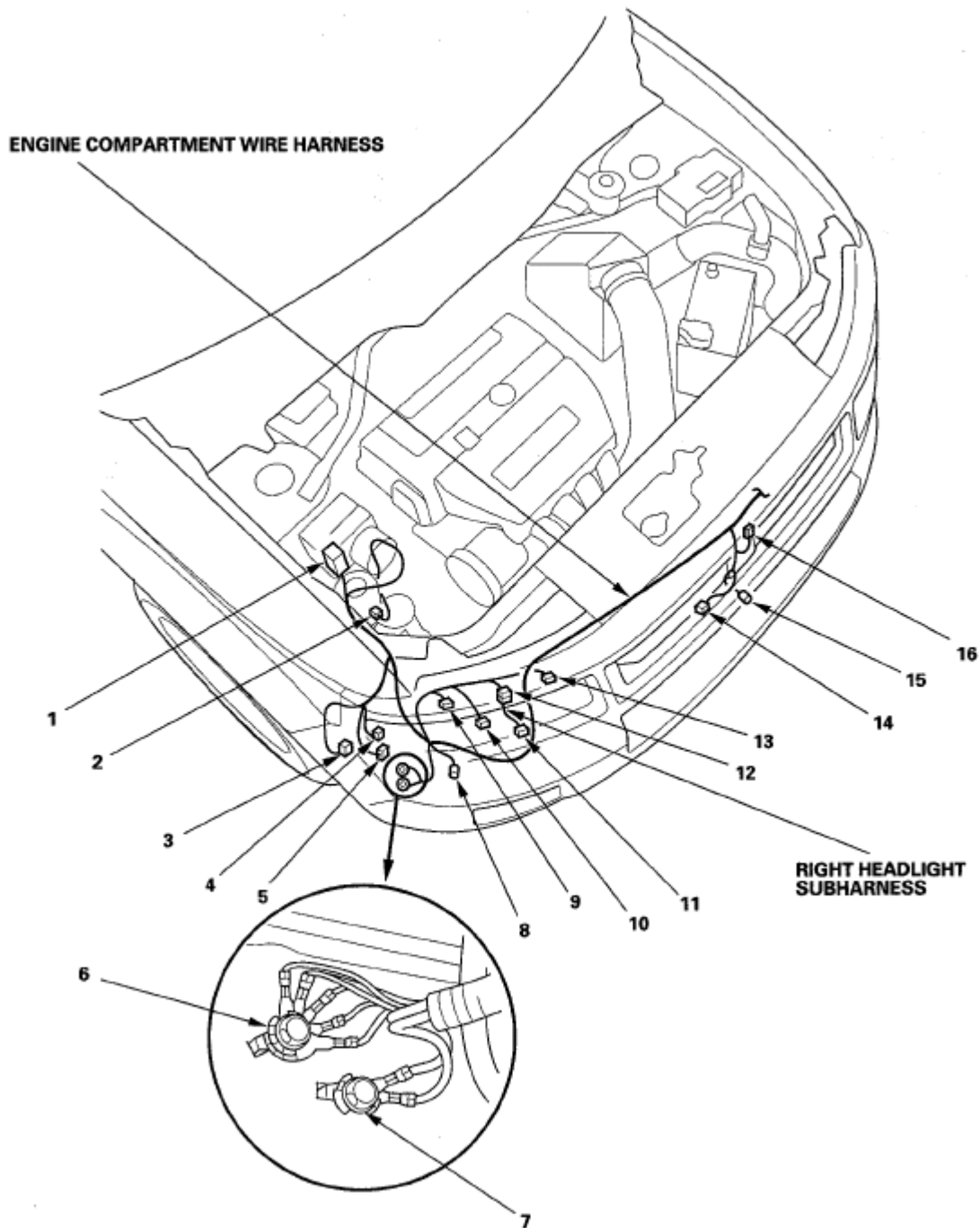


Fig. 6: Identifying Engine Compartment Wire Harness (Right Branch) (SC Model)
 Courtesy of AMERICAN HONDA MOTOR CO., INC.

ENGINE COMPARTMENT WIRE HARNESS (LEFT BRANCH) (EXCEPT SC MODEL)

CONNECTOR TO HARNESS INDEX

Connector or Terminal	Ref	Cavities	Location	Connects to	Notes
			Under middle of		

2007 Honda Element EX

2007-2008 ELECTRICAL Connectors and Harnesses - Element

Air fuel ratio (A/F) sensor	4	4	vehicle	
Brake fluid level switch	21	2	Left side of engine compartment	
ELD unit (see <u>CONNECTOR TO FUSE/RELAY BOX INDEX</u>)	17	3	Under-hood fuse/relay box	
Horn	10	1	Behind left side of front bumper	
Left front wheel sensor	13	2	Left side of engine compartment	
Left front impact sensor	11	2	Behind left side of front bumper	
Left side marker light	12	2	Behind left headlight	
Left front turn signal/parking lights	7	3	Behind left headlight	
Left headlight	6	3	Behind left headlight	
Optional connector (for fog light)	8	1	Behind left side of front bumper	
Power steering pressure (PSP) switch	2	2	Rear of engine compartment	
Radiator fan motor	5	2	Front of engine compartment	
Right front impact sensor	1	2	Behind right side of front bumper	
Secondary heated oxygen sensor (SHO2S)	3	4	Under middle of vehicle	
Under-hood fuse/relay box connector A (see <u>CONNECTOR TO FUSE/RELAY BOX INDEX</u>)	19	2	Under-hood fuse/relay box	
Under-hood fuse/relay box connector B (see <u>CONNECTOR TO FUSE/RELAY BOX INDEX</u>)	14	5	Under-hood fuse/relay box	
Under-hood fuse/relay box connector C (see <u>CONNECTOR TO FUSE/RELAY BOX INDEX</u>)	18	12	Under-hood fuse/relay box	
Under-hood fuse/relay box connector D (see <u>CONNECTOR TO FUSE/RELAY BOX INDEX</u>)	15	14	Under-hood fuse/relay box	
Under-hood fuse/relay box connector E (see <u>CONNECTOR TO FUSE/RELAY BOX INDEX</u>)	16	7	Under-hood fuse/relay box	
Windshield wiper motor	20	5	Under left side of cowl cover	
			Behind left side of	Body ground, via engine

2007 Honda Element EX

2007-2008 ELECTRICAL Connectors and Harnesses - Element

G301

9

front bumper

compartment wire harness

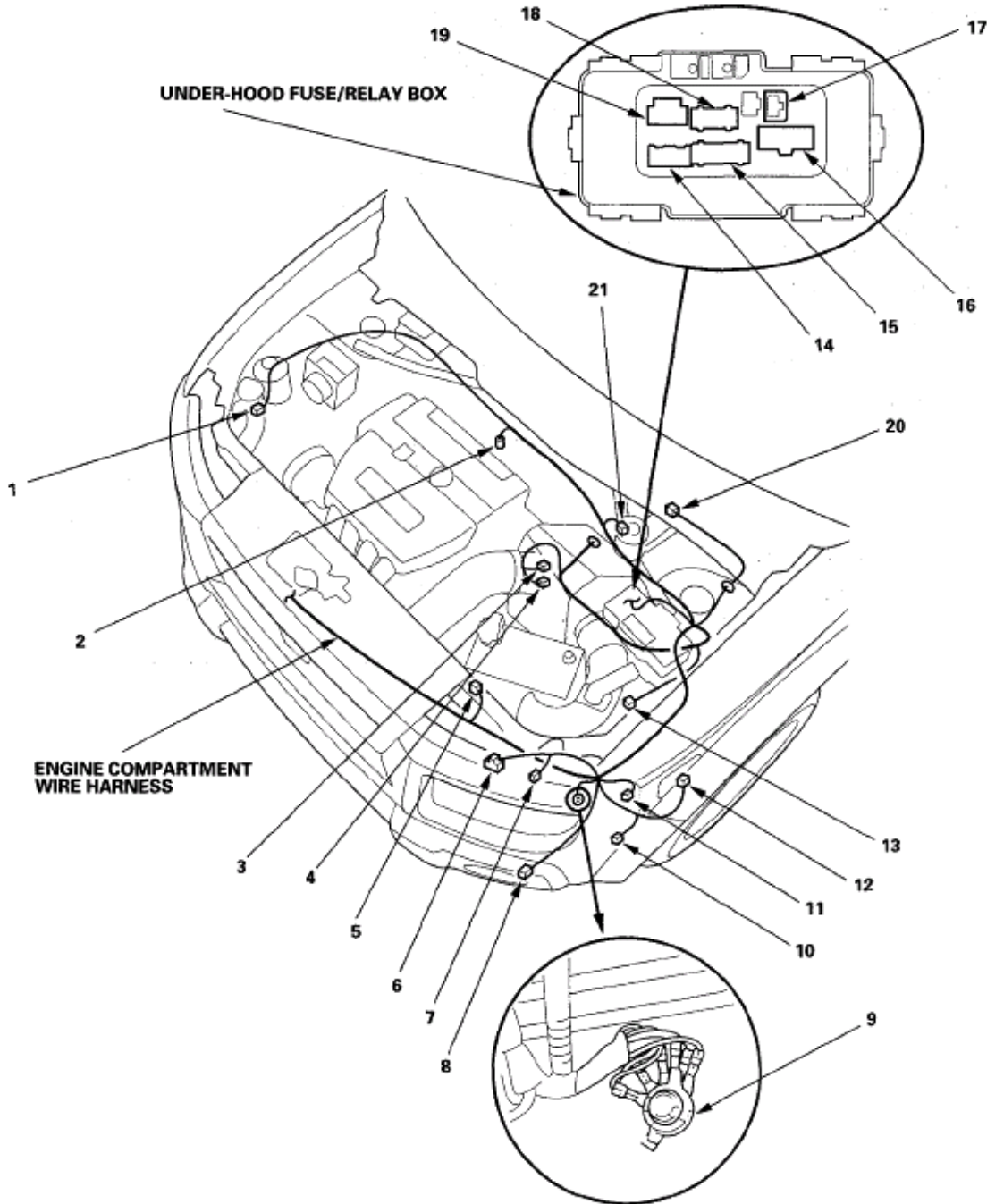


Fig. 7: Identifying Engine Compartment Wire Harness (Left Branch) (Except SC Model)
Courtesy of AMERICAN HONDA MOTOR CO., INC.

ENGINE COMPARTMENT WIRE HARNESS (LEFT BRANCH) (SC MODEL)

2007 Honda Element EX

2007-2008 ELECTRICAL Connectors and Harnesses - Element

CONNECTOR TO HARNESS INDEX

Connector or Terminal	Ref	Cavities	Location	Connects to	Notes
Air fuel ratio (A/F) sensor	15	4	Under middle of vehicle		
Brake fluid level switch	23	2	Left side of engine compartment		
ELD unit (see <u>CONNECTOR TO FUSE/RELAY BOX INDEX</u>)	19	3	Under-hood fuse/relay box		
Horn	12	1	Behind left side of front bumper		
Left front wheel sensor	14	2	Left side of engine compartment		
Left front impact sensor	13	2	Behind left side of front bumper		
Left side marker light	9	2	Behind left headlight		
Left front turn signal/parking lights	8	3	Behind left headlight		
Left headlight connector B	5	2	Behind left headlight		
Optional connector (for fog light)	10	1	Behind left side of front bumper		
Power steering pressure (PSP) switch	2	2	Rear of engine compartment		
Radiator fan motor	4	2	Front of engine compartment		
Right front impact sensor	1	2	Behind right side of front bumper		
Secondary heated oxygen sensor (SHO2S)	3	4	Under middle of vehicle		
Under-hood fuse/relay box connector A (see <u>CONNECTOR TO FUSE/RELAY BOX INDEX</u>)	21	2	Under-hood fuse/relay box		
Under-hood fuse/relay box connector B (see <u>CONNECTOR TO FUSE/RELAY BOX INDEX</u>)	16	5	Under-hood fuse/relay box		
Under-hood fuse/relay box connector C (see <u>CONNECTOR TO FUSE/RELAY BOX INDEX</u>)	20	12	Under-hood fuse/relay box		
Under-hood fuse/relay box connector D (see <u>CONNECTOR TO FUSE/RELAY BOX INDEX</u>)	17	14	Under-hood fuse/relay box		
Under-hood fuse/relay box connector E (see <u>CONNECTOR TO FUSE/RELAY BOX INDEX</u>)	18	7	Under-hood fuse/relay box		

2007 Honda Element EX

2007-2008 ELECTRICAL Connectors and Harnesses - Element

Windshield wiper motor	22	5	Under left side of cowl cover	
C350	7	2	Behind left headlight	Left headlight subharness
G301	11		Behind left side of front bumper	Body ground, via engine compartment wire harness

LEFT HEADLIGHT SUBHARNESS (SC MODEL)**CONNECTOR TO HARNESS INDEX**

Connector or Terminal	Ref	Cavities	Location	Connects to	Notes
Left headlight connector A	6	2	Behind left headlight		
C350	7	2	Behind left headlight	Engine compartment wire harness	

2007 Honda Element EX

2007-2008 ELECTRICAL Connectors and Harnesses - Element

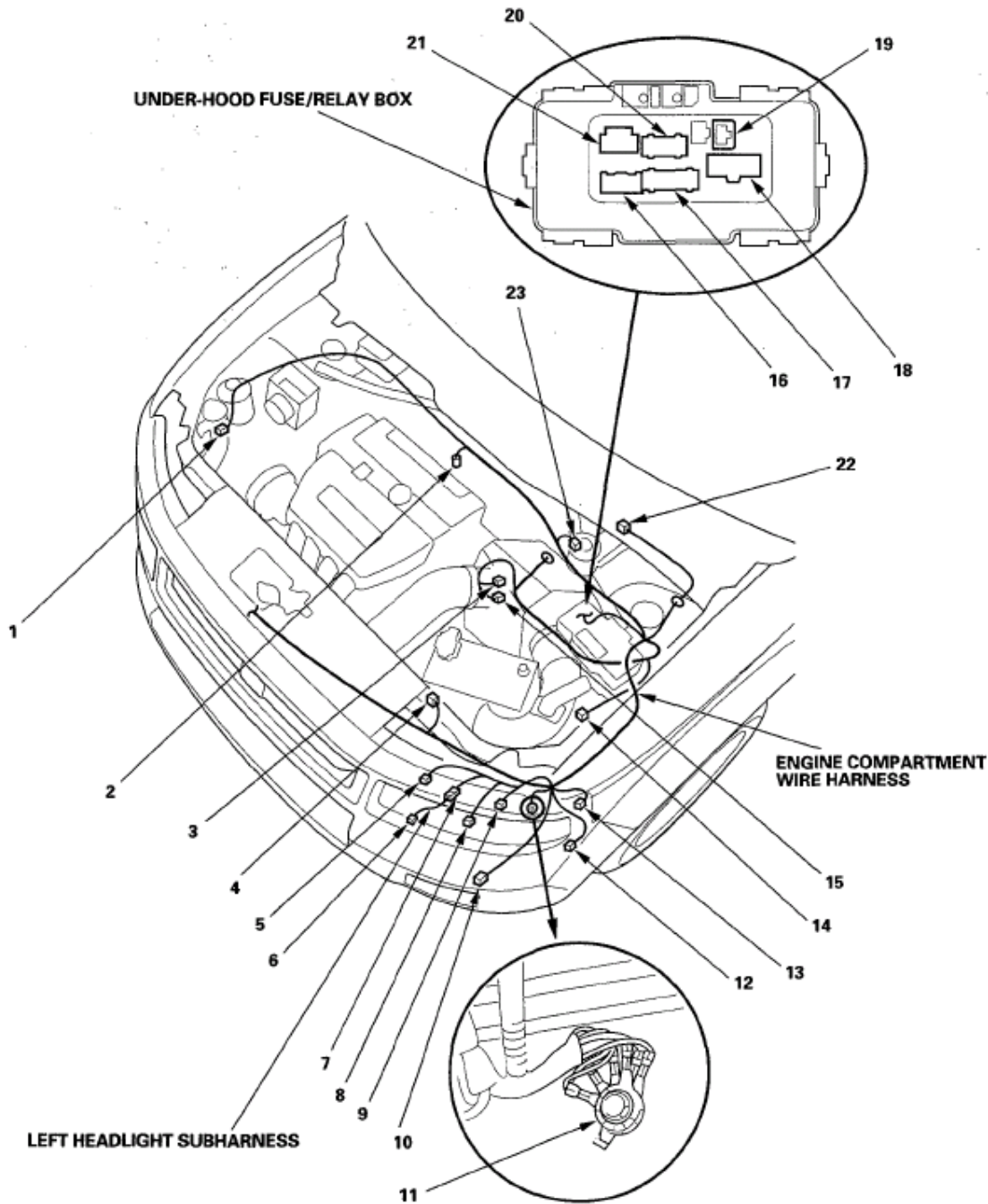


Fig. 8: Identifying Engine Compartment Wire Harness (Left Branch) (SC Model)

Courtesy of AMERICAN HONDA MOTOR CO., INC.

ENGINE COMPARTMENT WIRE HARNESS (DASHBOARD)

CONNECTOR TO HARNESS INDEX

Connector or Terminal	Ref Cavities	Location	Connects to	Notes

2007 Honda Element EX

2007-2008 ELECTRICAL Connectors and Harnesses - Element

Optional connector (for fog light)	10	3	Under left side of dash	
C401	8	20	Under middle of dash	Dashboard wire harness B (see <u>DASHBOARD WIRE HARNESS B</u>)
C402	9	16	Under middle of dash (see <u>DASHBOARD WIRE HARNESS B</u>)	Dashboard wire harness B
C405 (Junction connector)	1	20	Under middle of dash	
C451	6	20	Under middle of dash	ECM/PCM wire harness (see <u>ECM/PCM WIRE HARNESS</u>)
C452	7	3	Under middle of dash	ECM/PCM wire harness (see <u>ECM/PCM WIRE HARNESS</u>)
C501	3	14	Under middle of dash	Dashboard wire harness A (see <u>DASHBOARD WIRE HARNESS A (LEFT BRANCH)</u>)
C502	2	13	Under middle of dash	Dashboard wire harness A (see <u>DASHBOARD WIRE HARNESS A (LEFT BRANCH)</u>)
C553	4	14	Under middle of dash	Floor wire harness (see <u>FLOOR WIRE HARNESS (RIGHT BRANCH)</u>)
C853	5	1	Under middle of dash	A/C wire harness (see <u>A/C WIRE HARNESS</u>)
G402	11		Under middle of dash	Body ground, via engine compartment wire harness

2007 Honda Element EX

2007-2008 ELECTRICAL Connectors and Harnesses - Element

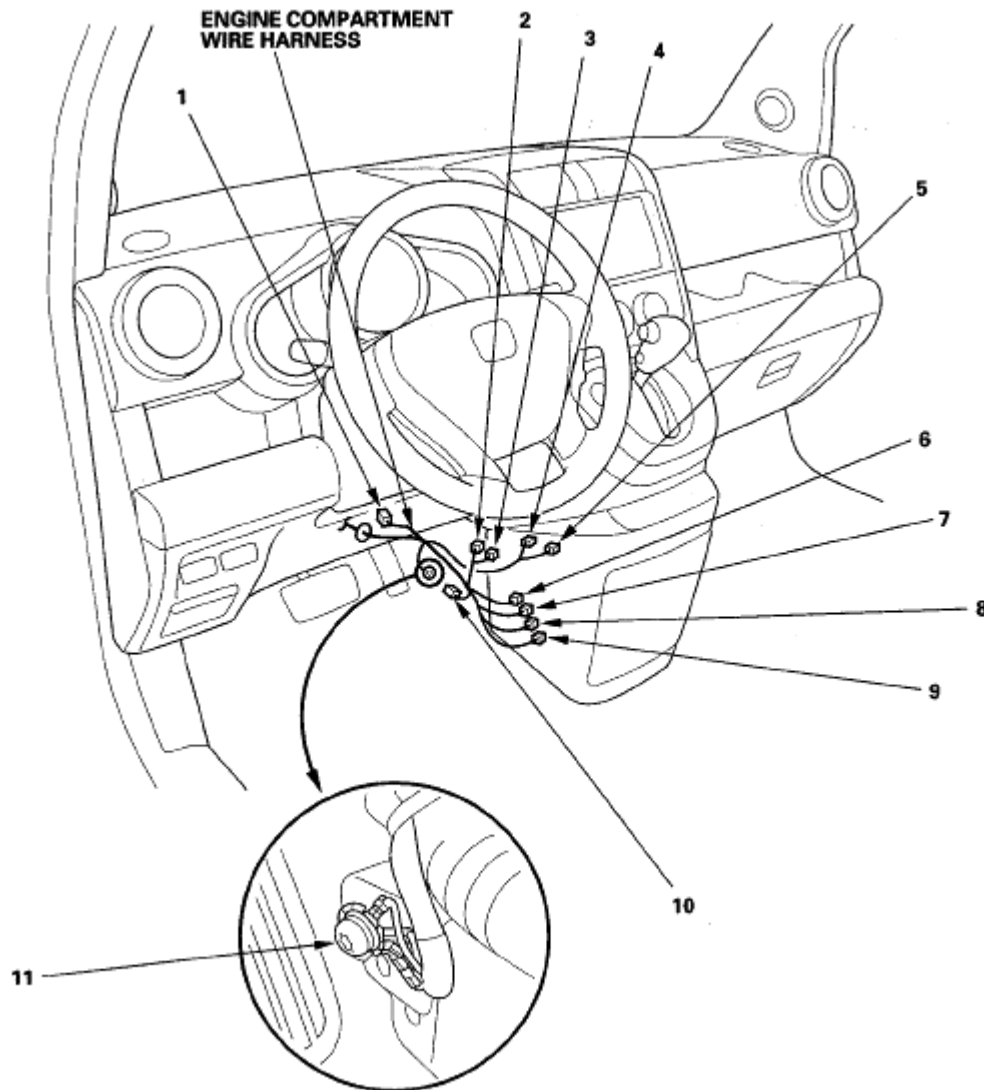


Fig. 9: Identifying Engine Compartment Wire Harness (Dashboard)
 Courtesy of AMERICAN HONDA MOTOR CO., INC.

DASHBOARD WIRE HARNESS B

CONNECTOR TO HARNESS INDEX

Connector or Terminal	Ref	Cavities	Location	Connects to	Notes
Cable reel connector A	19	4	In steering column cover	Driver's airbag inflator	
Cable reel connector B	1	5	In steering column cover		
Combination light switch	21	16	In steering column cover		
Front passenger's airbag inflator	9	4	Behind glove box		

2007 Honda Element EX

2007-2008 ELECTRICAL Connectors and Harnesses - Element

Ignition key switch/key light	17	6	In steering column cover	
Ignition switch	18	7	In steering column cover	
Immobilizer control unit-receiver	16	7	In steering column cover	
Multiplex control unit (Fuse/relay box connector X)	8	8	In the under-dash fuse/relay box	
SRS unit connector A	13	28	Under middle of dash	
Steering angle sensor	20	5	In steering column cover	
Under-dash fuse/relay box connector A (see <u>UNDER-DASH FUSE/RELAY BOX</u>)	5	5	Under left side of dash	
Under-dash fuse/relay box connector B (see <u>UNDER-DASH FUSE/RELAY BOX</u>)	6	6	Under left side of dash	
Under-dash fuse/relay box connector C (see <u>UNDER-DASH FUSE/RELAY BOX</u>)	4	14	Under left side of dash	
Under-dash fuse/relay box connector J (see <u>UNDER-DASH FUSE/RELAY BOX</u>)	3	8	Under left side of dash	
Under-dash fuse/relay box connector S (see <u>UNDER-DASH FUSE/RELAY BOX</u>)	7	2	Under left side of dash	
Wiper/washer switch	2	14	In the steering column cover	
C401	15	20	Under middle of dash	Engine compartment wire harness (see <u>ENGINE COMPARTMENT WIRE HARNESS (DASHBOARD)</u>)
C402	14	16	Under middle of dash	Engine compartment wire harness (see <u>DASHBOARD WIRE HARNESS A (LEFT BRANCH)</u>)
C403	12	20	Under middle of dash	Dashboard wire harness A (see <u>DASHBOARD WIRE HARNESS A (LEFT BRANCH)</u>)
C404	11	6	Under middle	Floor wire harness (see <u>FLOOR WIRE HARNESS (RIGHT</u>)

2007 Honda Element EX

2007-2008 ELECTRICAL Connectors and Harnesses - Element

			of dash	BRANCH)	
G401	10		Under middle of dash	Body ground, via dashboard wire harness B	

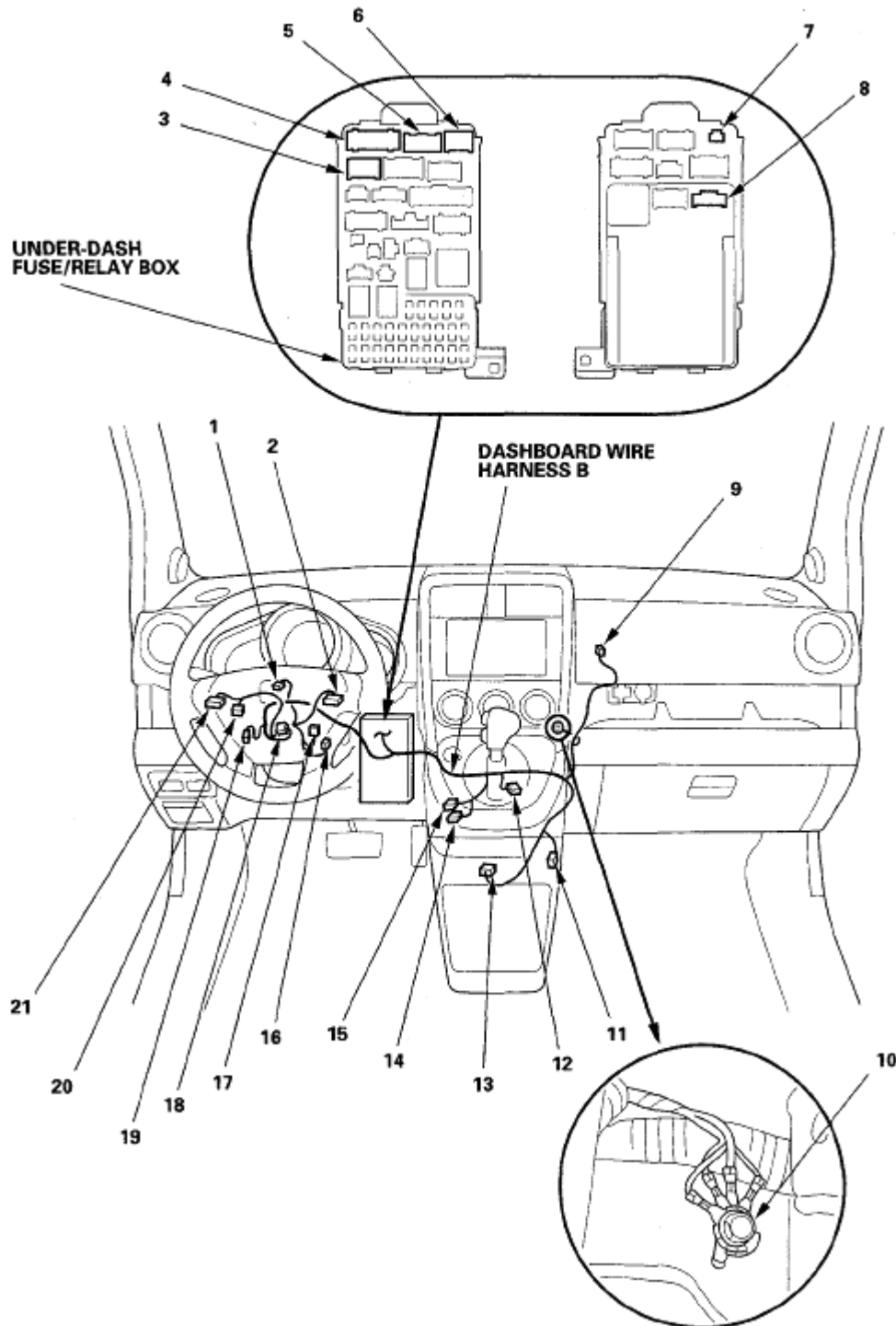


Fig. 10: Identifying Dashboard Wire Harness B

2007 Honda Element EX

2007-2008 ELECTRICAL Connectors and Harnesses - Element

Courtesy of AMERICAN HONDA MOTOR CO., INC.

DASHBOARD WIRE HARNESS A (LEFT BRANCH)

CONNECTOR TO HARNESS INDEX

Connector or Terminal	Ref	Cavities	Location	Connects to	Notes
Brake pedal position switch	25	4	Under left side of dash		
Clutch pedal position switch	26	2	Under left side of dash		M/T
Clutch interlock switch	27	2	Under left side of dash		M/T
Cruise control main switch	30	5	Under left side of dash		
Daytime running lights control unit	9	14	Under left side of dash		Canada models
Daytime running lights relay	1	4	Under left side of dash		Canada models
Diode, DRL	28	2	Under left side of dash		(2)
Diode, rear ceiling light	5	2	Behind left side of dash		
Gauge control module connector	7	36	Behind gauge control module		
Hazard warning switch	19	10	Middle of dash		
Heater control panel	18	30	Behind heater control panel		
Keyless receiver unit	4	5	Under left side of dash		
Low beam cut relay	2	5	Under left side of dash		(1)
Multiplex control unit (Fuse/relay box connector Y)	11	13	In the under-dash fuse/relay box		
Security control unit connector (optional)	6	22	Under left side of dash		
Throttle actuator control module	31	16	Under left side of dash		
Trailer lighting connector (optional)	35	10	Under left side of dash		
Under-dash fuse/relay box connector F (see UNDER-DASH FUSE/RELAY)	10	12	In the under-dash fuse/relay box		

2007 Honda Element EX

2007-2008 ELECTRICAL Connectors and Harnesses - Element

BOX) Under-dash fuse/relay box connector K (see <u>UNDER-DASH FUSE/RELAY BOX)</u>)	13	17	In the under-dash fuse/relay box	
BOX) Under-dash fuse/relay box connector L (see <u>UNDER-DASH FUSE/RELAY BOX)</u>)	14	10	In the under-dash fuse/relay box	
BOX) Under-dash fuse/relay box connector M (see <u>UNDER-DASH FUSE/RELAY BOX)</u>)	12	12	In the under-dash fuse/relay box	
BOX) Under-dash fuse/relay box connector N (see <u>UNDER-DASH FUSE/RELAY BOX)</u>)	15	6	In the under-dash fuse/relay box	
BOX) Under-dash fuse/relay box connector O (see <u>UNDER-DASH FUSE/RELAY BOX)</u>)	16	12	In the under-dash fuse/relay box	
VSA OFF switch	29	10	Under left side of dash	
Subwoofer	17	4	Under middle of dash	
C403	20	20	Under middle of dash	Dashboard wire harness B (see <u>DASHBOARD WIRE HARNESS B)</u>)
C406 (Junction connector)	8	20	Behind gauge control module	
C453	21	14	Under middle of dash	ECM/PCM wire harness (see <u>ECM/PCM WIRE HARNESS)</u>)
C454	22	12	Under middle of dash	ECM/PCM wire harness (see <u>ECM/PCM WIRE HARNESS)</u>)
C501	23	14	Under middle of dash	Engine compartment wire harness (see <u>ENGINE COMPARTMENT WIRE HARNESS (DASHBOARD))</u>)
C502	24	13	Under middle of dash	Engine compartment wire harness (see <u>ENGINE COMPARTMENT WIRE HARNESS (DASHBOARD))</u>)
C504	34	3	Under left side of dash	Tweeter subharness Driver's door wire harness (see

2007 Honda Element EX

2007-2008 ELECTRICAL Connectors and Harnesses - Element

C751	32	20	Under left side of dash	<u>DRIVER'S DOOR WIRE HARNESS)</u>	
C752	33	6	Under left side of dash	Driver's door wire harness (see <u>DRIVER'S DOOR WIRE HARNESS)</u>)	
G501	36		Under left side of dash	Body ground, via dashboard wire harness A	
(1) Canada Except SC model					
(2) Canada SC model					

TWEETER SUBHARNESS

CONNECTOR TO HARNESS INDEX

Connector or Terminal	Ref	Cavities	Location	Connects to	Notes
Left tweeter	3	2	Left A-pillar		
C504	34	3	Under left side of dash	Dashboard wire harness A	

2007 Honda Element EX

2007-2008 ELECTRICAL Connectors and Harnesses - Element

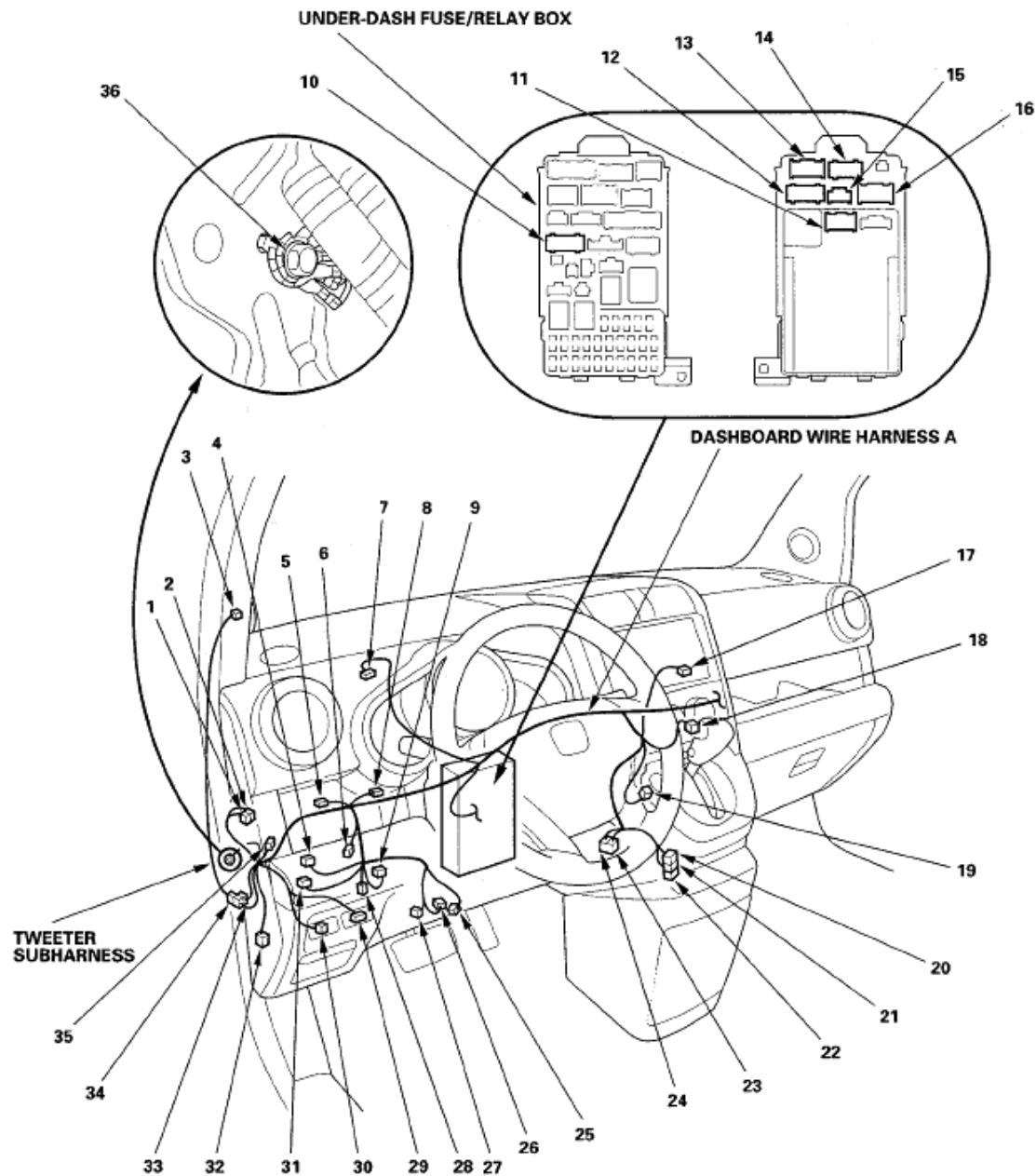


Fig. 11: Identifying Dashboard Wire Harness A (Left Branch)
 Courtesy of AMERICAN HONDA MOTOR CO., INC.

DASHBOARD WIRE HARNESS A (RIGHT BRANCH)

CONNECTOR TO HARNESS INDEX

Connector or Terminal	Ref	Cavities	Location	Connects to	Notes
Audio unit connector A	2	20	Behind audio unit		
Audio unit			Behind audio		

2007 Honda Element EX

2007-2008 ELECTRICAL Connectors and Harnesses - Element

connector B	4	8	unit		
Audio unit connector C	1	6	Behind audio unit		
Audio unit connector D	25	14	Behind audio unit		With XM radio
Auxiliary jack assembly	8	5	Under right side of dash		(1)
Front accessory power socket	9	2	Under right side of dash		
Imoes unit	17	5	Under middle of dash		(3)
Passenger's airbag cutoff indicator	3	4	Under middle of dash		
Stereo amplifier connector A	14	14	Behind right kick panel		
Stereo amplifier connector B	15	16	Behind right kick panel		
C551	23	4	Under middle of dash	Floor wire harness (see <u>FLOOR WIRE HARNESS (RIGHT BRANCH)</u>)	
C552	22	4	Under middle of dash	Floor wire harness (see <u>FLOOR WIRE HARNESS (RIGHT BRANCH)</u>)	
C561	21	23	Under middle of dash	Floor wire harness (see <u>FLOOR WIRE HARNESS (RIGHT BRANCH)</u>)	
C562	24	8	Under middle of dash	Floor wire harness (see <u>FLOOR WIRE HARNESS (RIGHT BRANCH)</u>)	(2)
C651	11	6	Under right side of dash	Roof wire harness (see <u>ROOF WIRE HARNESS</u>)	
C652	12	4	Under right side of dash	Roof wire harness (see <u>ROOF WIRE HARNESS</u>)	
C653	13	4	Under right side of dash	Roof wire harness (see <u>ROOF WIRE HARNESS</u>)	
C781	10	14	Under right side of dash	Front passenger's door wire harness (see <u>FRONT PASSENGER'S DOOR WIRE HARNESS</u>)	
C851	18	21	Behind glove box	A/C wire harness (see <u>A/C WIRE HARNESS</u>)	
C852	19	1	Behind glove box	A/C wire harness (see <u>A/C WIRE HARNESS</u>)	
C855	7	6	Under middle of dash	TPMS subharness	
G502	16		Under right side of dash	Body ground, via dashboard wire harness A	
G503	20		Under right side of dash	Body ground, via dashboard wire harness A	

2007 Honda Element EX

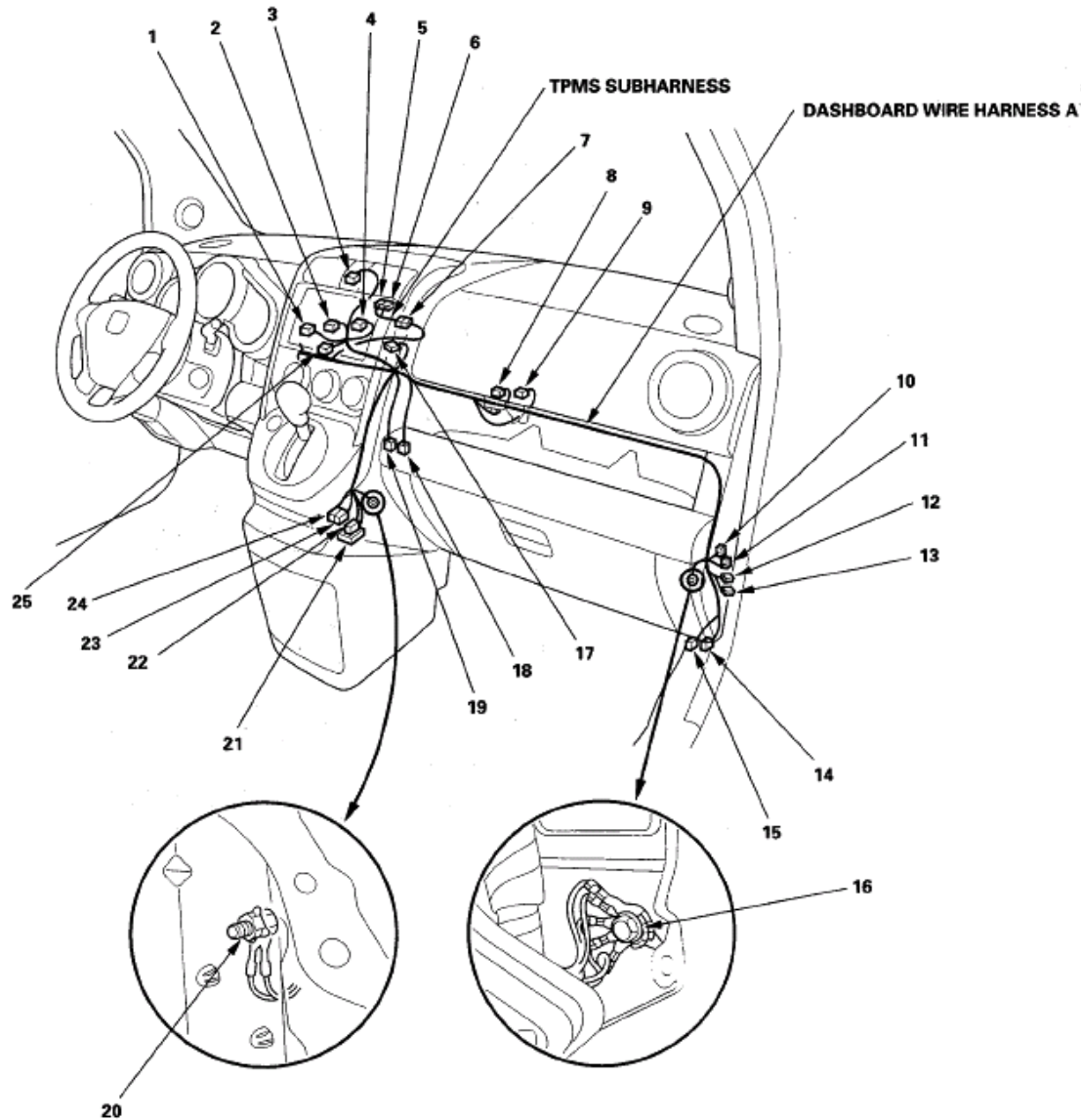
2007-2008 ELECTRICAL Connectors and Harnesses - Element

- (1) Except SC model
- (2) SC model
- (3) Except '07 USA models

TPMS SUBHARNESS

CONNECTOR TO HARNESS INDEX

Connector or Terminal	Ref	Cavities	Location	Connects to	Notes
TPMS control unit connector A	6	14	Under middle of dash		
TPMS control unit connector B	5	20	Under middle of dash		
C855	7	6	Under middle of dash	Dashboard wire harness A	



2007 Honda Element EX

2007-2008 ELECTRICAL Connectors and Harnesses - Element

Fig. 12: Identifying Dashboard Wire Harness A (Right Branch)

Courtesy of AMERICAN HONDA MOTOR CO., INC.

ECM/PCM WIRE HARNESS

CONNECTOR TO HARNESS INDEX

Connector or Terminal	Ref	Cavities	Location	Connects to	Notes
A/T gear position indicator panel light/park pin switch	11	4	Under middle of dash		A/T
A/T reverse relay	17	4	Behind glove box		A/T
Air fuel ratio (A/F) sensor relay	16	4	Behind glove box		
Data link connector (DLC)	28	16	Under left side of dash		
ECM/PCM connector D	14	17	Behind glove box		
ECM/PCM connector E	13	31	Behind glove box		
Throttle actuator control module relay	19	4	Behind glove box		
Ignition coil relay	18	4	Behind glove box		
Memory erase signal (MES) connector (see <u>UNDER-DASH FUSE/RELAY BOX</u>)	1	2	Under left side of dash		
PGM-FI main relay 1 (FI MAIN)	20	4	Behind glove box		
PGM-FI main relay 2 (FUEL PUMP)	21	5	Behind glove box		
Rear accessory power socket relay	15	4	Behind glove box		
Shift lock solenoid/D3 switch	24	4	Under middle of dash		A/T
Under-dash fuse/relay box connector D (see <u>UNDER-DASH FUSE/RELAY BOX</u>)	4	12	Under left side of dash		
Under-dash fuse/relay box connector E (see <u>UNDER-DASH FUSE/RELAY BOX</u>)	5	13	Under left side of dash		
Under-dash fuse/relay box connector G (see <u>UNDER-DASH FUSE/RELAY BOX</u>)	7	10	Under left side of dash		

2007 Honda Element EX

2007-2008 ELECTRICAL Connectors and Harnesses - Element

Under-dash fuse/relay box connector H (see <u>UNDER-DASH FUSE/RELAY BOX</u>)	2	3	Under left side of dash	
Under-dash fuse/relay box connector P (see <u>UNDER-DASH FUSE/RELAY BOX</u>)	6	18	Under left side of dash	
Under-dash fuse/relay box connector Q (see <u>UNDER-DASH FUSE/RELAY BOX</u>)	3	8	Under left side of dash	
Under-dash fuse/relay box connector R (see <u>UNDER-DASH FUSE/RELAY BOX</u>)	8	6	Under left side of dash	
C101	12	20	Behind glove box	Engine wire harness (see <u>ENGINE WIRE HARNESS</u>)
C451	27	20	Under middle of dash	Engine compartment wire harness (see <u>ENGINE COMPARTMENT WIRE HARNESS (DASHBOARD)</u>)
C452	26	3	Under middle of dash	Engine compartment wire harness (see <u>ENGINE COMPARTMENT WIRE HARNESS (DASHBOARD)</u>)
C453	9	14	Under middle of dash	Dashboard wire harness A (see <u>DASHBOARD WIRE HARNESS A (LEFT BRANCH)</u>)
C454	25	12	Under middle of dash	Dashboard wire harness A (see <u>DASHBOARD WIRE HARNESS A (RIGHT BRANCH)</u>)
C455	22	17	Under middle of dash	Floor wire harness (see <u>FLOOR WIRE HARNESS (RIGHT BRANCH)</u>)
C456	23	10	Under middle of dash	Floor wire harness (see <u>FLOOR WIRE HARNESS (RIGHT BRANCH)</u>)
C457 (Junction connector)	10	20	Under middle of dash	
G451	29		Under middle of dash	Body ground, via ECM/PCM wire harness

2007 Honda Element EX

2007-2008 ELECTRICAL Connectors and Harnesses - Element

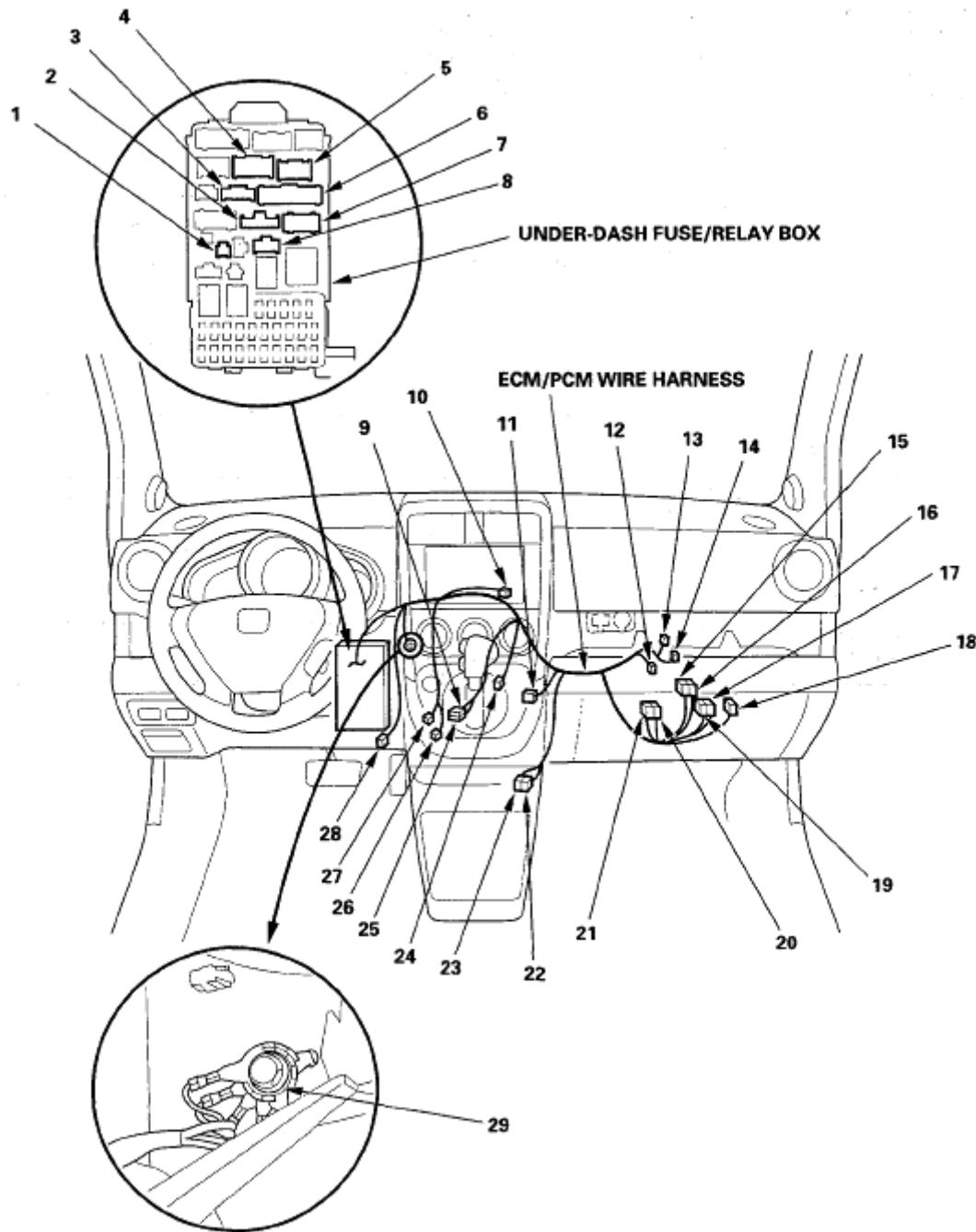


Fig. 13: Identifying ECM/PCM Wire Harness
 Courtesy of AMERICAN HONDA MOTOR CO., INC.

FLOOR WIRE HARNESS (LEFT BRANCH)

CONNECTOR TO HARNESS INDEX

Connector or Terminal	Ref	Cavities	Location	Connects to	Notes
Driver's seat belt buckle	3	3	Under driver's		

2007 Honda Element EX

2007-2008 ELECTRICAL Connectors and Harnesses - Element

switch			seat		
Driver's side airbag inflator	2	2	Under driver's seat		
Driver's seat belt buckle tensioner	4	4	Under driver's seat		
Left side impact sensor (first)	18	2	Left side of floor		
Left side impact sensor (second)	15	2	Left quarter panel		
Left tail light	11	5	Left quarter panel		
Parking brake switch	5	1	Under center console		
Rear window wiper intermittent control unit	13	8	Left quarter panel		
Roll rate sensor	19	2	Left side of floor		
C554	14	6	Left quarter panel	Left rear door subharness (see <u>LEFT REAR DOOR WIRE HARNESS</u>)	
C570	6	8	Under center console	Console subharness	SC model
C571	1	2	Under driver's seat	Seat position sensor subharness	
C601	9	10	Left D-pillar	Hatch wire harness (see <u>HATCH WIRE HARNESS</u>)	
C602	10	4	Left D-pillar	Hatch wire harness (see <u>HATCH WIRE HARNESS</u>)	
C681	12	8	Left quarter panel	Tailgate wire harness (see <u>HATCH WIRE HARNESS</u>)	
G553	8		Left D-pillar	Body ground, via floor wire harness	

CONSOLE SUBHARNESS (SC MODEL)

CONNECTOR TO HARNESS INDEX

Connector or Terminal	Ref	Cavities	Location	Connects to	Notes
Auxiliary jack assembly	16	5	Under center console		
Console accessory power socket	7	2	Under center console		
C570	6	8	Under center console	Floor wire harness	

SEAT POSITION SENSOR SUBHARNESS

CONNECTOR TO HARNESS INDEX

Connector or Terminal	Ref	Cavities	Location	Connects to	Notes
Driver's seat position sensor	17	2	Under driver's seat		

2007 Honda Element EX

2007-2008 ELECTRICAL Connectors and Harnesses - Element

C571

1

2

Under driver's seat

Floor wire harness

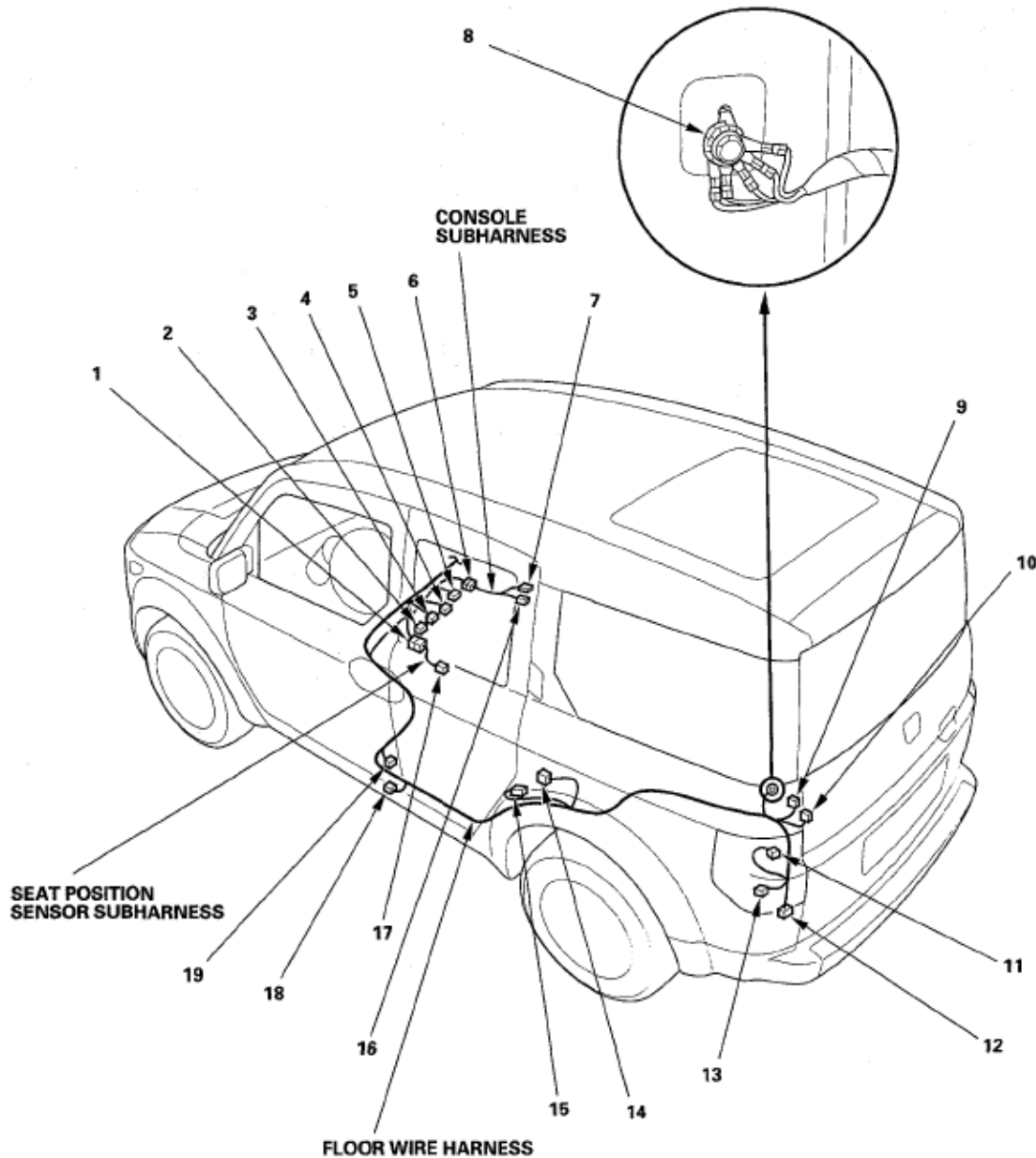


Fig. 14: Identifying Floor Wire Harness (Left Branch)
 Courtesy of AMERICAN HONDA MOTOR CO., INC.

FLOOR WIRE HARNESS (RIGHT BRANCH)

CONNECTOR TO HARNESS INDEX

Connector or Terminal	Ref	Cavities	Location	Connects to	Notes
Front passenger's			Under front		

2007 Honda Element EX

2007-2008 ELECTRICAL Connectors and Harnesses - Element

seat belt buckle switch	16	3	passenger's seat		
Front passenger's seat belt buckle tensioner	15	4	Under front passenger's seat		
Front passenger's side airbag inflator	17	2	Under front passenger's seat		
Rear accessory power socket	20	2	Right quarter panel		
Rear safing sensor	27	4	Under center console		
Right side impact sensor (first)	13	2	Right side of floor		
Right side impact sensor (second)	18	2	Right quarter panel		
Right taillight	21	5	Right quarter panel		
SRS unit connector C	7	28	Under middle of dash		
SRS unit connector B	8	28	Under middle of dash		
VSA sensor cluster	26	6	Under center console		
XM receiver connector A	19	14	Behind right rear side trim		With XM radio
C404	2	4	Under middle of dash	Dashboard wire harness B (see <u>DASHBOARD WIRE HARNESS B</u>)	
C455	11	17	Under middle of dash	ECM/PCM wire harness (see <u>ECM/PCM WIRE HARNESS</u>)	
C456	1	10	Under middle of dash	ECM/PCM wire harness (see <u>ECM/PCM WIRE HARNESS</u>)	
C551	4	4	Under middle of dash	Dashboard wire harness A (see <u>DASHBOARD WIRE HARNESS A (LEFT BRANCH)</u>)	
C552	5	4	Under middle of dash	Dashboard wire harness A (see <u>DASHBOARD WIRE HARNESS A (LEFT BRANCH)</u>)	
C553	6	14	Under middle of dash	Engine compartment wire harness (see <u>ENGINE COMPARTMENT WIRE HARNESS (DASHBOARD)</u>)	
C556	24	6	Right quarter panel	Right rear door subharness (see <u>RIGHT REAR DOOR WIRE HARNESS</u>)	
C558	25	14	Under center console	VSA/fuel pump harness (see <u>VSA/FUEL PUMP WIRE HARNESS</u>)	

2007 Honda Element EX

2007-2008 ELECTRICAL Connectors and Harnesses - Element

C559 (Junction connector)	9	20	Under middle of dash		
C560	14	4	Under front passenger's seat	ODS unit harness (see <u>ODS UNIT HARNESS</u>)	
C561	10	23	Under middle of dash	Dashboard wire harness A (see <u>DASHBOARD WIRE HARNESS A (RIGHT BRANCH)</u>)	
C562	3	8	Under middle of dash	Dashboard wire harness A (see <u>DASHBOARD WIRE HARNESS A (RIGHT BRANCH)</u>)	SC model
C604	23	4	Right quarter panel	Roof wire harness (see <u>ROOF WIRE HARNESS</u>)	
G551	22		Right D-pillar	Body ground, via floor wire harness	
G552	12		Under front passenger's seat	Body ground, via floor wire harness	

2007 Honda Element EX

2007-2008 ELECTRICAL Connectors and Harnesses - Element

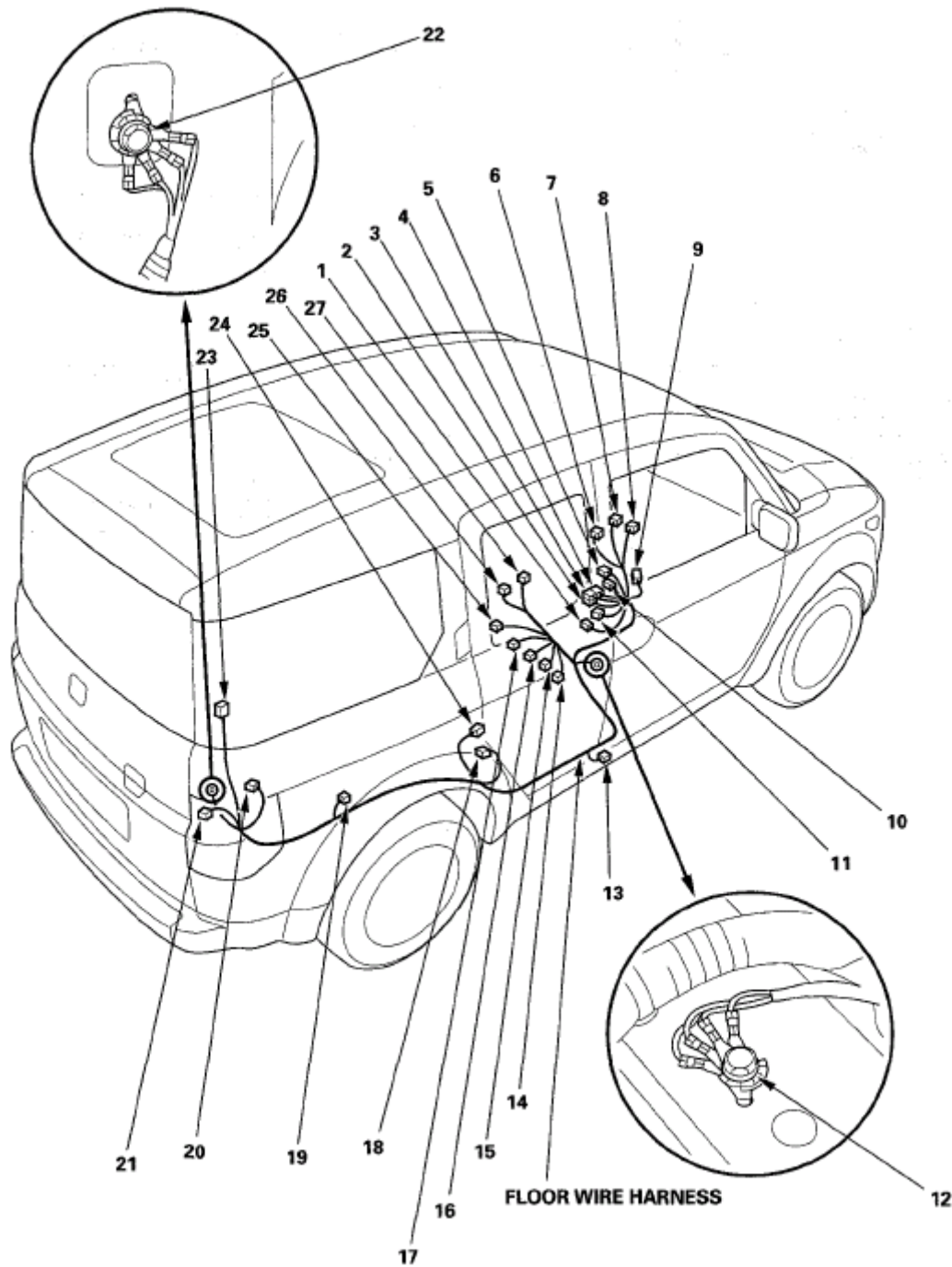


Fig. 15: Identifying Floor Wire Harness (Right Branch)
 Courtesy of AMERICAN HONDA MOTOR CO., INC.

HATCH WIRE HARNESS

CONNECTOR TO HARNESS INDEX

Connector or Terminal	Ref Cavities	Location	Connects to	Notes
-----------------------	--------------	----------	-------------	-------

2007 Honda Element EX

2007-2008 ELECTRICAL Connectors and Harnesses - Element

Hatch latch switch	5	2	Middle of hatch	
Hatch lock actuator	8	2	Middle of hatch	
High mount brake light	7	2	Middle of hatch	
Rear window defogger connector (+)	1	1	Left side of hatch	
Rear window defogger connector (-)	9	1	Right side of hatch	
Rear window wiper motor	6	4	Middle of hatch	
C601	3	10	Left D-pillar	Floor wire harness (+see <u>FLOOR WIRE HARNESS (LEFT BRANCH)</u>)
C602	2	4	Left D-pillar	Floor wire harness (see <u>FLOOR WIRE HARNESS (LEFT BRANCH)</u>)
C603	4	4	Left rear of roof	Roof wire harness (see <u>ROOF WIRE HARNESS</u>)

TAILGATE WIRE HARNESS

CONNECTOR TO HARNESS INDEX

Connector or Terminal	Ref	Cavities	Location	Connects to	Notes
Left tailgate latch switch	13	2	Left side of tailgate		
License plate light connector A	11	2	Middle of tailgate		
License plate light connector B	12	2	Middle of tailgate		
Right tailgate latch switch	10	2	Right side of tailgate		
Trailer lighting connector	14	4	Back end of cargo area		
C681	15	8	Left quarter panel	Floor wire harness (see <u>FLOOR WIRE HARNESS (LEFT BRANCH)</u>)	

2007 Honda Element EX

2007-2008 ELECTRICAL Connectors and Harnesses - Element

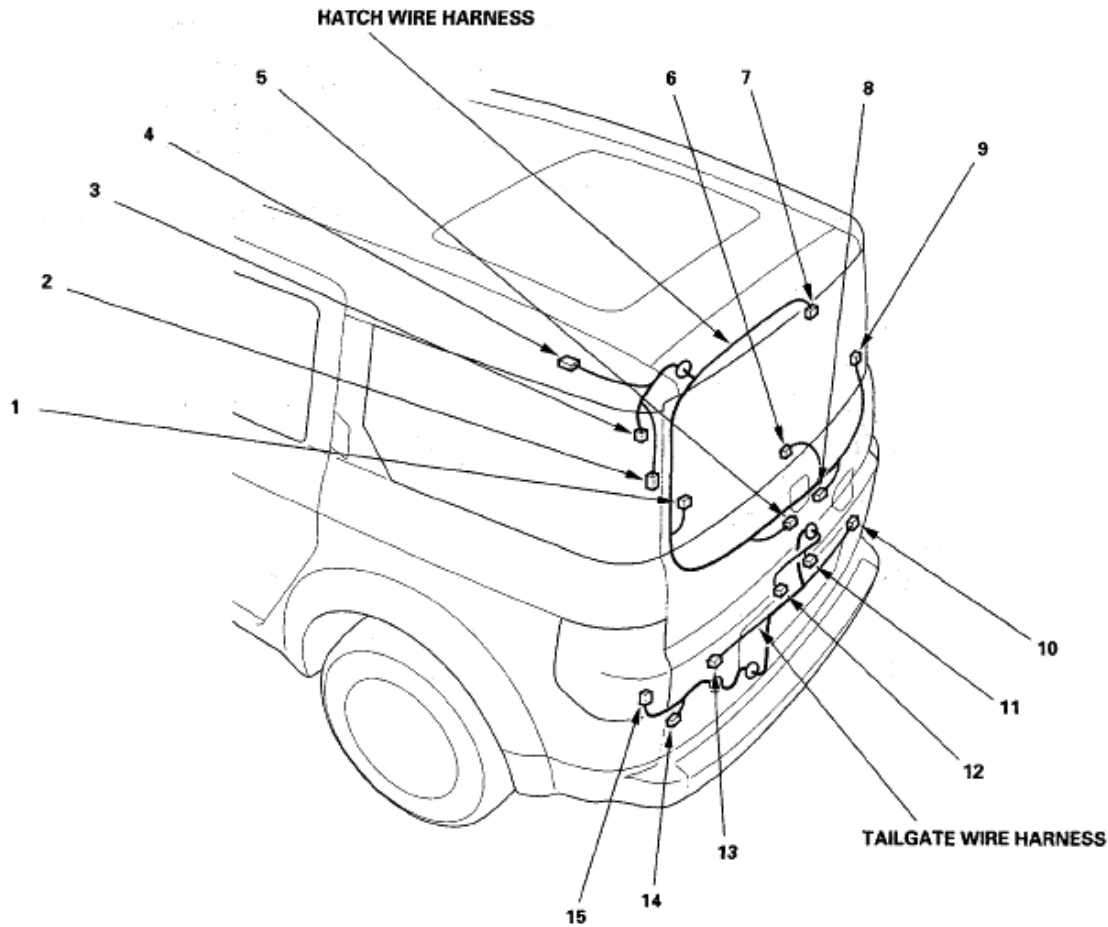


Fig. 16: Identifying Hatch Wire Harness
 Courtesy of AMERICAN HONDA MOTOR CO., INC.

ROOF WIRE HARNESS

CONNECTOR TO HARNESS INDEX

Connector or Terminal	Ref	Cavities	Location	Connects to	Notes
Front ceiling light	5	3	Middle of roof		
Left side curtain airbag	4	2	Middle of roof		
Rear ceiling light	2	3	Rear of roof		
Right side curtain airbag	11	2	Middle of roof		
Right tweeter	7	2	Right A-pillar		EX and SC models
AM/FM antenna	1	1	Rear of roof		Without XM radio

2007 Honda Element EX

2007-2008 ELECTRICAL Connectors and Harnesses - Element

Spotlight	6	2	Middle of roof		EX and SC models
C603	3	4	Rear of roof	Hatch wire harness (see <u>HATCH WIRE HARNESS</u>)	
C604	12	4	Right quarter panel	Floor wire harness (see <u>FLOOR WIRE HARNESS (RIGHT BRANCH)</u>)	
C651	8	6	Under right side of dash	Dashboard wire harness A (see <u>DASHBOARD WIRE HARNESS A (RIGHT BRANCH)</u>)	
C652	9	4	Under right side of dash	Dashboard wire harness A (see <u>DASHBOARD WIRE HARNESS A (RIGHT BRANCH)</u>)	
C653	10	4	Under right side of dash	Dashboard wire harness A (see <u>DASHBOARD WIRE HARNESS A (RIGHT BRANCH)</u>)	

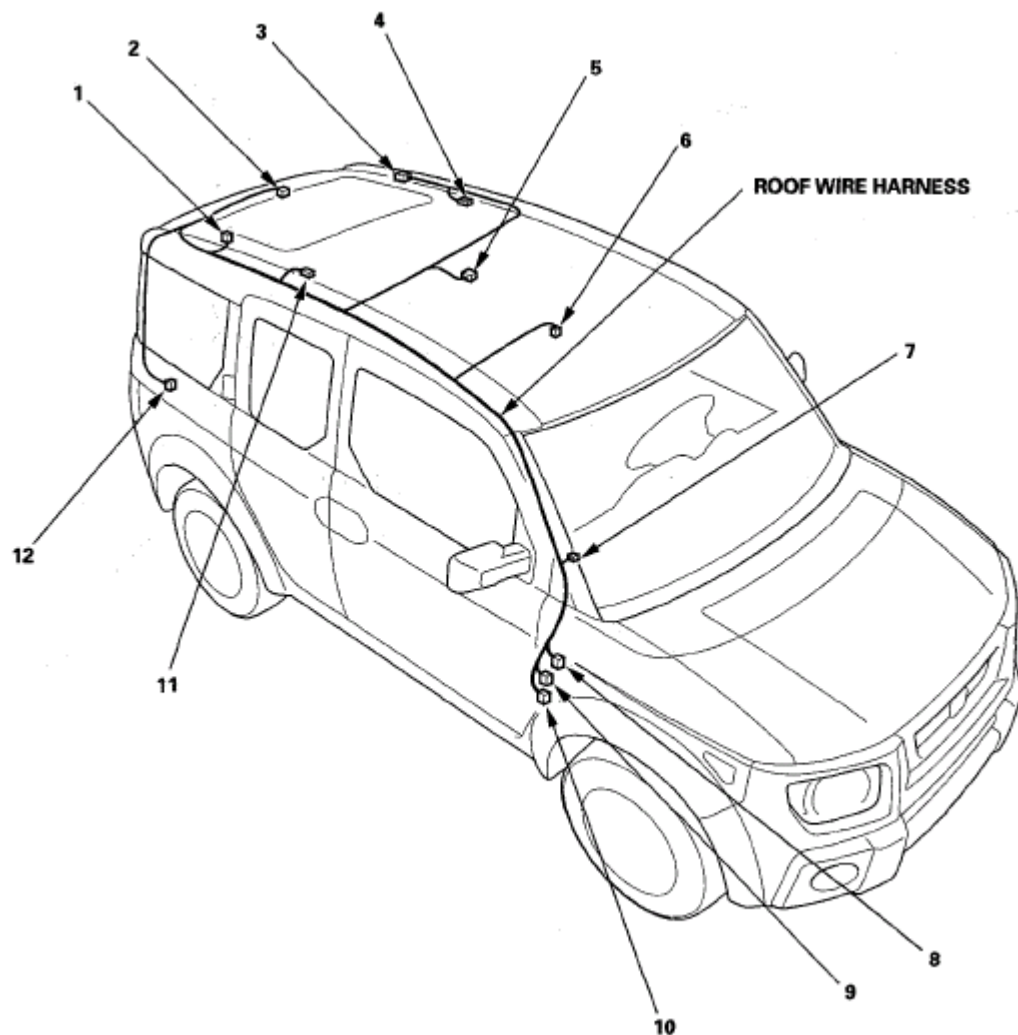


Fig. 17: Identifying Roof Wire Harness

2007 Honda Element EX

2007-2008 ELECTRICAL Connectors and Harnesses - Element

Courtesy of AMERICAN HONDA MOTOR CO., INC.

VSA/FUEL PUMP WIRE HARNESS

CONNECTOR TO HARNESS INDEX

Connector or Terminal	Ref	Cavities	Location	Connects to	Notes
EVAP canister vent shut valve	2	2	Under left rear of vehicle		
Fuel tank unit	5	5	Under left rear of vehicle		
Fuel tank pressure (FTP) sensor	3	3	Under left rear of vehicle		
Left rear wheel sensor	4	2	Under left rear of vehicle		
Right rear wheel sensor	1	2	Under right rear of vehicle		
C558	6	14	Under center console	Floor wire harness (see <u>FLOOR WIRE HARNESS (RIGHT BRANCH)</u>)	

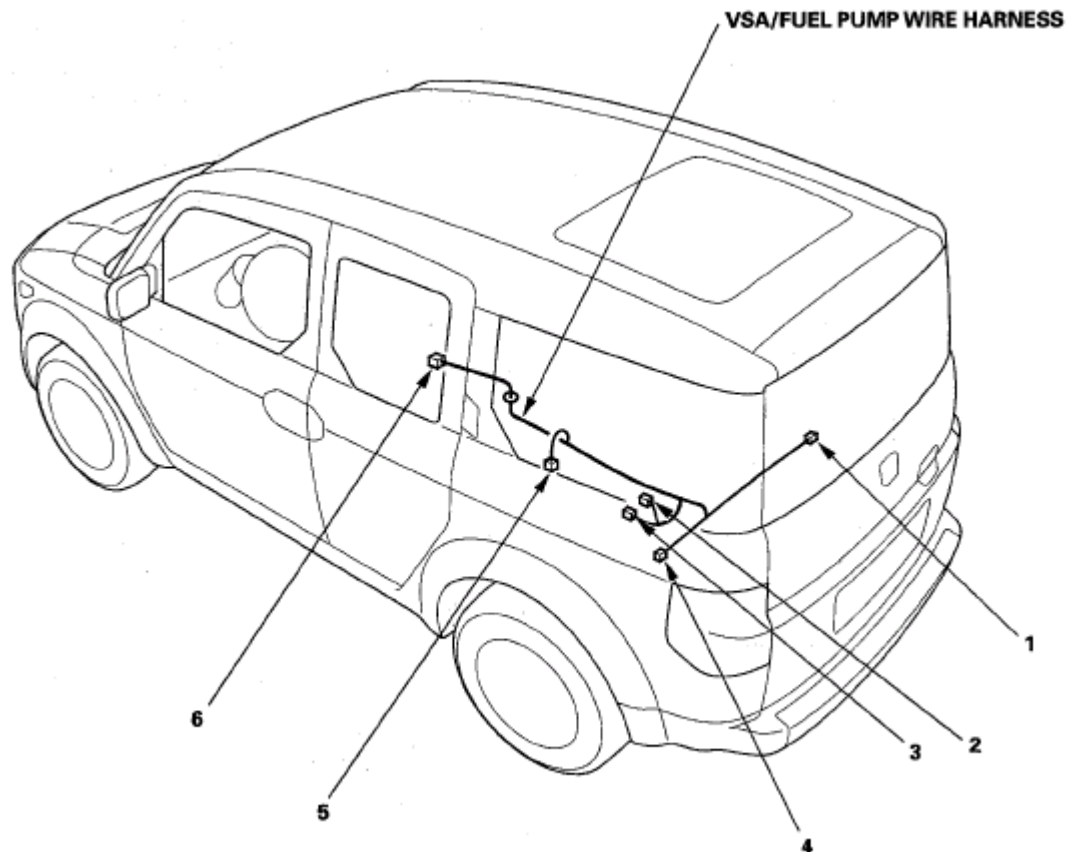


Fig. 18: Identifying VSA/Fuel Pump Wire Harness

2007 Honda Element EX

2007-2008 ELECTRICAL Connectors and Harnesses - Element

Courtesy of AMERICAN HONDA MOTOR CO., INC.

DRIVER'S DOOR WIRE HARNESS**CONNECTOR TO HARNESS INDEX**

Connector or Terminal	Ref	Cavities	Location	Connects to	Notes
Driver's door lock actuator	9	2	Driver's door		
Driver's door lock knob switch	10	3	Driver's door		
Driver's door lock switch	4	5	Driver's door		
Driver's door speaker	8	2	Driver's door		
Driver's power window motor	1	6	Driver's door		
Left power mirror	5	8	Driver's door		
Power mirror switch	3	13	Driver's door		
Power window master switch	2	14	Driver's door		
C751	7	20	Under left side of dash	Dashboard wire harness A (see <u>DASHBOARD WIRE HARNESS A (LEFT BRANCH)</u>)	
C752	6	6	Under left side of dash	Dashboard wire harness A (see <u>DASHBOARD WIRE HARNESS A (LEFT BRANCH)</u>)	

2007 Honda Element EX

2007-2008 ELECTRICAL Connectors and Harnesses - Element

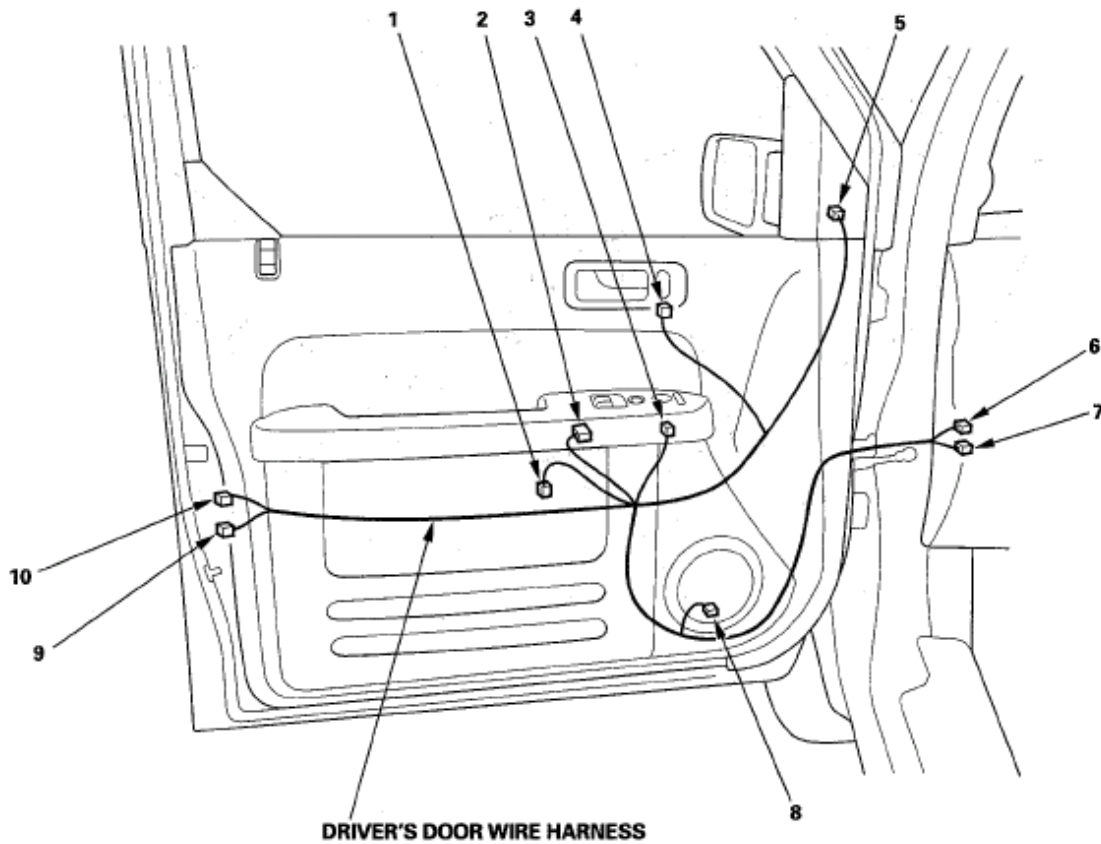


Fig. 19: Identifying Driver Door Wire Harness
 Courtesy of AMERICAN HONDA MOTOR CO., INC.

FRONT PASSENGER'S DOOR WIRE HARNESS

CONNECTOR TO HARNESS INDEX

Connector or Terminal	Ref	Cavities	Location	Connects to	Notes
Front passenger's door lock actuator	5	2	Front passenger's door		
Front passenger's door speaker	6	2	Front passenger's door		
Front passenger's power window motor	4	2	Front passenger's door		
Front passenger's power window switch	3	5	Front passenger's door		
Right power mirror	2	8	Front passenger's		

2007 Honda Element EX

2007-2008 ELECTRICAL Connectors and Harnesses - Element

C781	1	14	door Under right side of dash	Dashboard wire harness A (see <u>DASHBOARD WIRE HARNESS A (RIGHT BRANCH)</u>)
------	---	----	----------------------------------	---

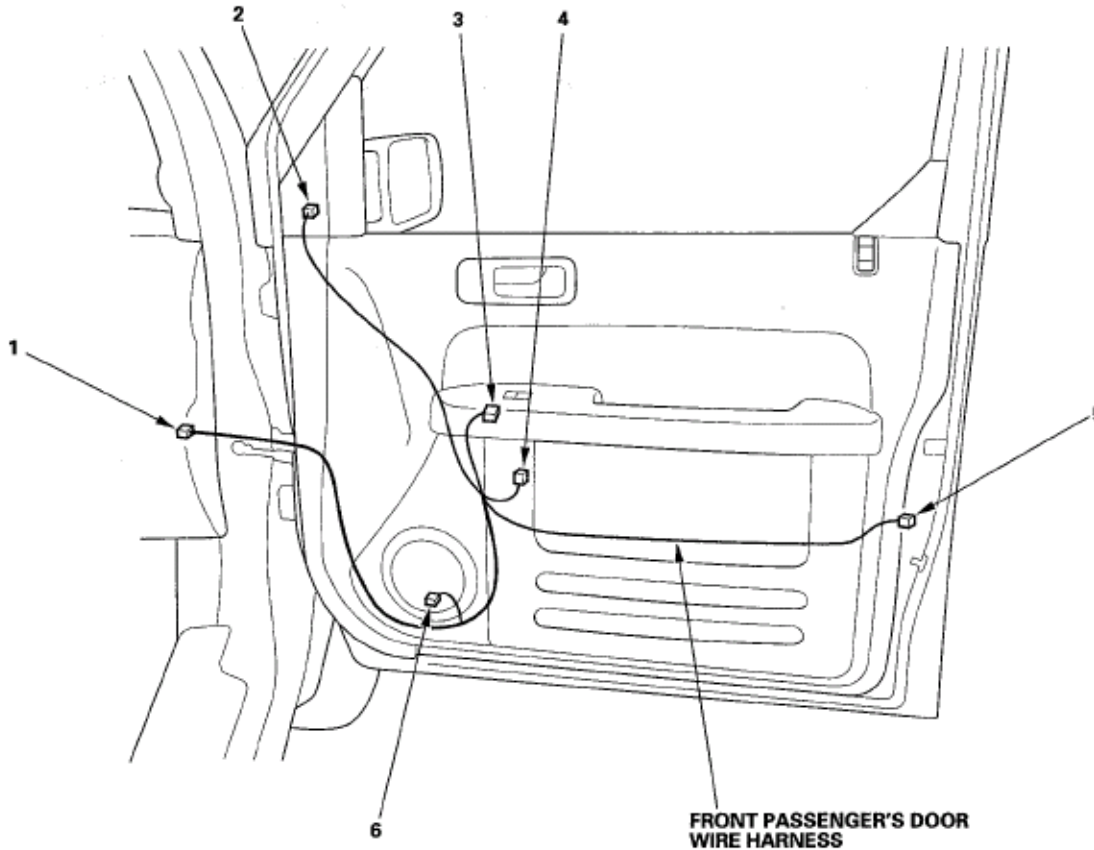


Fig. 20: Identifying Front Passenger Door Wire Harness
 Courtesy of AMERICAN HONDA MOTOR CO., INC.

LEFT REAR DOOR WIRE HARNESS

CONNECTOR TO HARNESS INDEX

Connector or Terminal	Ref	Cavities	Location	Connects to	Notes
Driver's door switch	5	1	Left rear door		
Left rear door lower switch	4	2	Left rear door		
Left rear door speaker	7	2	Left rear door		
Left rear door upper switch	3	2	Left rear door		
C771	2	6	Left rear	Left rear door subharness	

2007 Honda Element EX

2007-2008 ELECTRICAL Connectors and Harnesses - Element

G771	6	door Left rear door	Body ground, via left rear door wire harness
------	---	---------------------------	--

LEFT REAR DOOR SUBHARNESS

CONNECTOR TO HARNESS INDEX

Connector or Terminal	Ref	Cavities	Location	Connects to	Notes
C554	1	6	Left quarter panel	Floor wire harness (see <u>FLOOR WIRE HARNESS (LEFT BRANCH)</u>)	
C771	2	6	Left rear door	Left rear door wire harness	

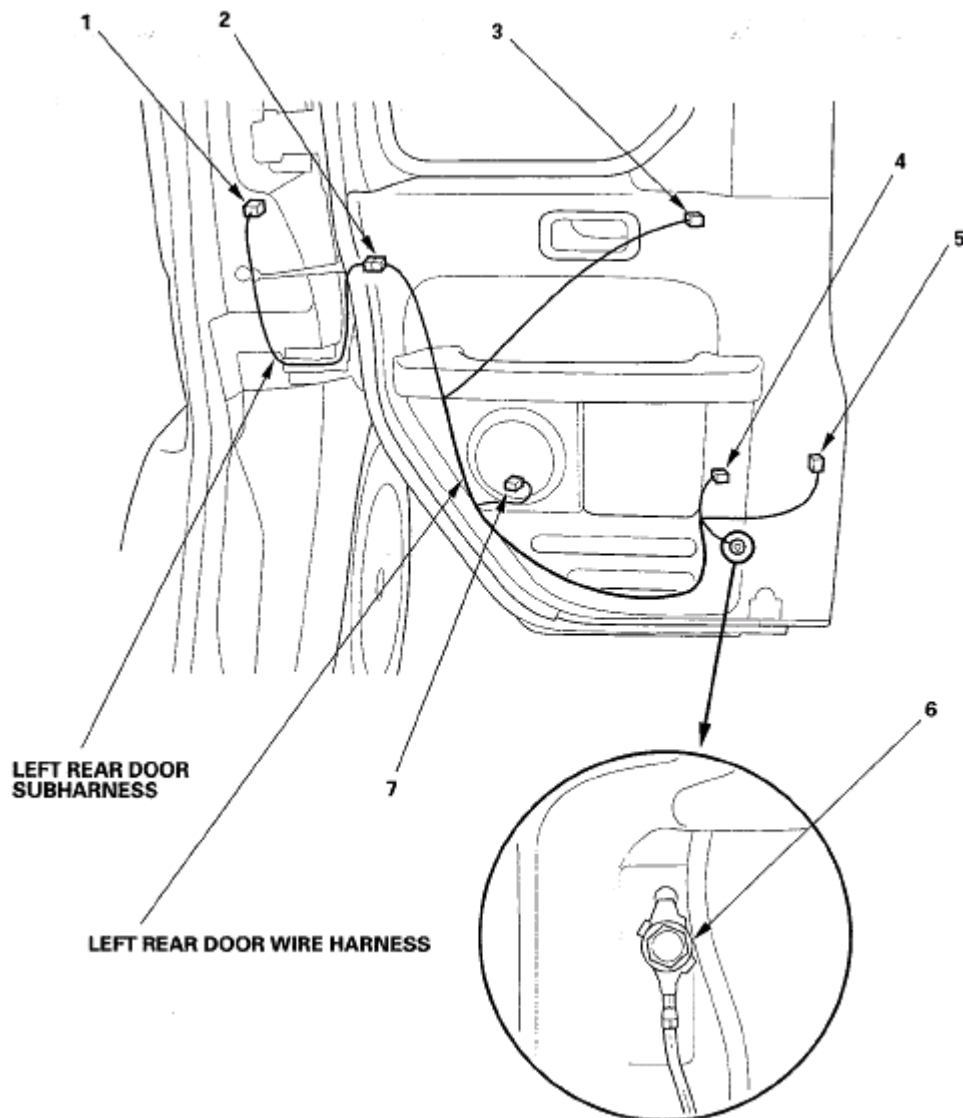


Fig. 21: Identifying Left Rear Door Wire Harness

2007 Honda Element EX

2007-2008 ELECTRICAL Connectors and Harnesses - Element

Courtesy of AMERICAN HONDA MOTOR CO., INC.

RIGHT REAR DOOR WIRE HARNESS

CONNECTOR TO HARNESS INDEX

Connector or Terminal	Ref	Cavities	Location	Connects to	Notes
Front passenger's door switch	1	1	Right rear door		
Right rear door lower switch	2	2	Right rear door		
Right rear door speaker	6	2	Right rear door		
Right rear door upper switch	3	2	Right rear door		
C761	4	6	Right rear door	Right rear door subharness	
G751	7		Right rear door	Body ground, via right rear door wire harness	

RIGHT REAR DOOR SUBHARNESS

CONNECTOR TO HARNESS INDEX

Connector or Terminal	Ref	Cavities	Location	Connects to	Notes
C556	5	6	Right quarter panel	Floor wire harness (+see <u>FLOOR WIRE HARNESS (RIGHT BRANCH)</u>)	
C761	4	6	Right rear door	Right rear door wire harness	

2007 Honda Element EX

2007-2008 ELECTRICAL Connectors and Harnesses - Element

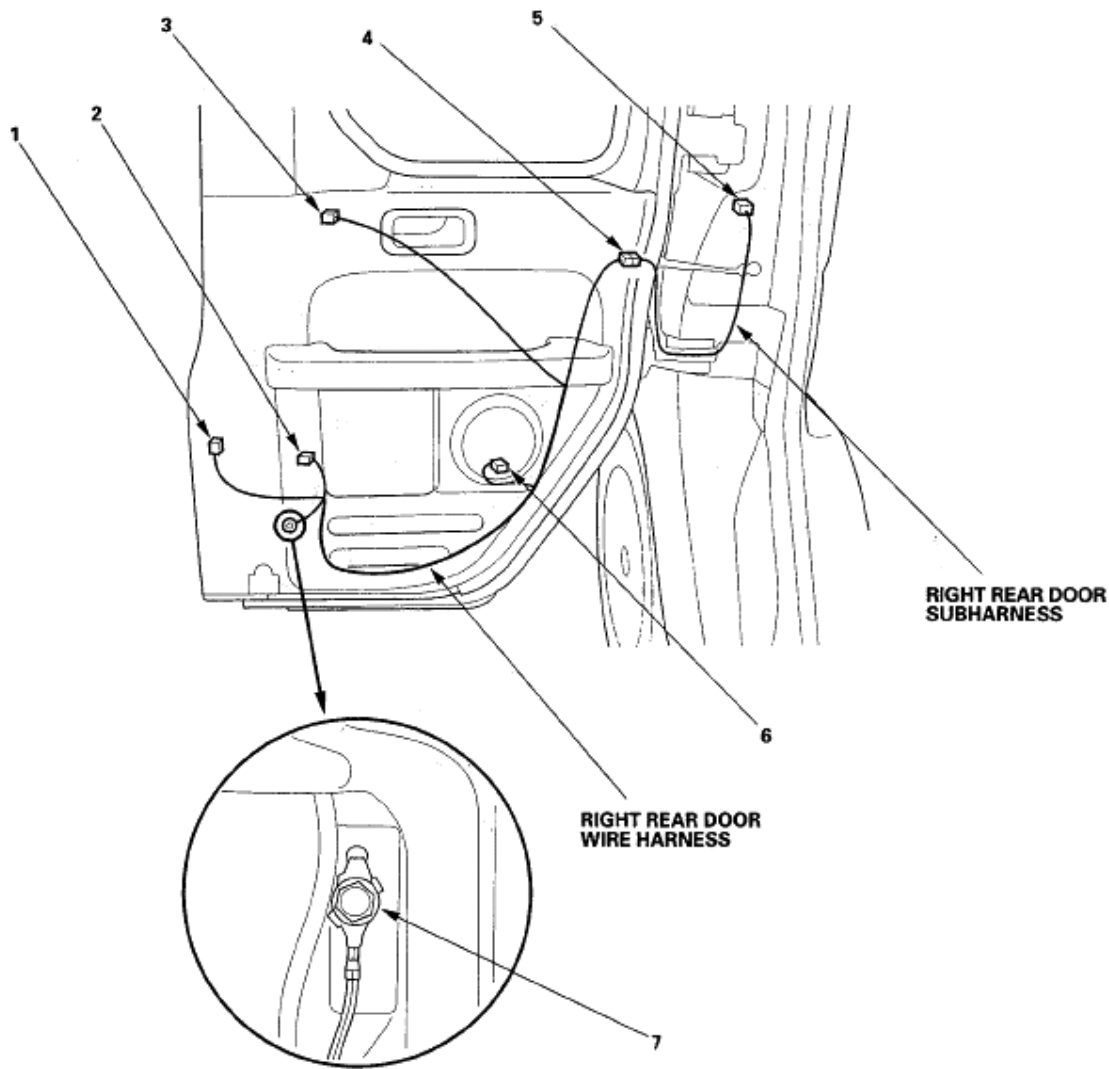


Fig. 22: Identifying Right Rear Door Wire Harness
 Courtesy of AMERICAN HONDA MOTOR CO., INC.

A/C WIRE HARNESS

CONNECTOR TO HARNESS INDEX

Connector or Terminal	Ref	Cavities	Location	Connects to	Notes
Air mix control motor	1	7	Under left side of dash		
Blower motor	4	2	Under right side of dash		
Blower power transistor	5	4	Under right side of dash		
Evaporator temperature sensor	9	2	Under left side of dash		

2007 Honda Element EX

2007-2008 ELECTRICAL Connectors and Harnesses - Element

Mode control motor	2	7	Behind glove box	
Recirculation control motor	3	7	Behind glove box	
C851	7	21	Behind glove box	Dashboard wire harness A (see <u>DASHBOARD WIRE HARNESS A (RIGHT BRANCH)</u>)
C852	6	1	Behind glove box	Dashboard wire harness A (see <u>DASHBOARD WIRE HARNESS A (RIGHT BRANCH)</u>)
C853	8	1	Under middle of dash	Engine compartment wire harness (see <u>ENGINE COMPARTMENT WIRE HARNESS (DASHBOARD)</u>)

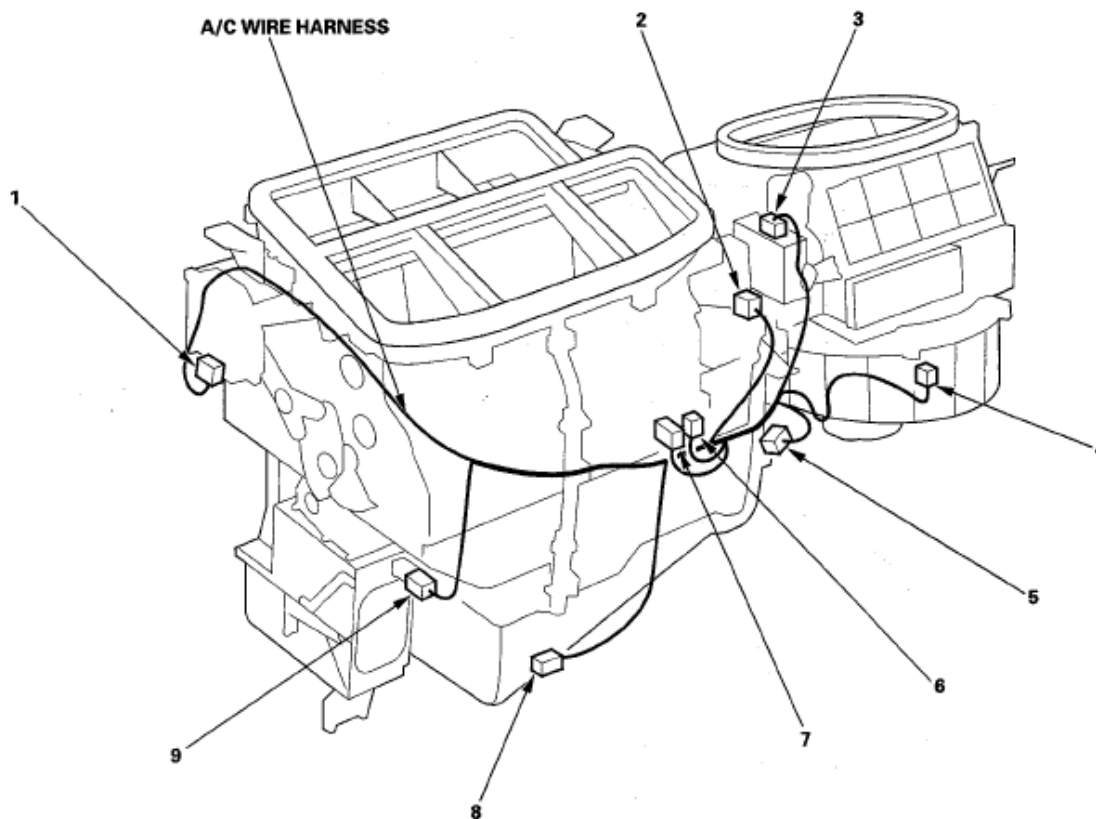


Fig. 23: Identifying A/C Wire Harness

Courtesy of AMERICAN HONDA MOTOR CO., INC.

ODS UNIT HARNESS

CONNECTOR TO HARNESS INDEX

Connector or Terminal	Ref	Cavities	Location	Connects to	Notes
Inner side front passenger's weight sensor	4	2	Under front passenger's seat		

2007 Honda Element EX

2007-2008 ELECTRICAL Connectors and Harnesses - Element

ODS unit	1	18	In front passenger's seat	
Outer side front passenger's weight sensor	2	3	Under front passenger's seat	
C560	3	4	Under front passenger's seat	Floor wire harness (see <u>FLOOR WIRE HARNESS (RIGHT BRANCH)</u>)

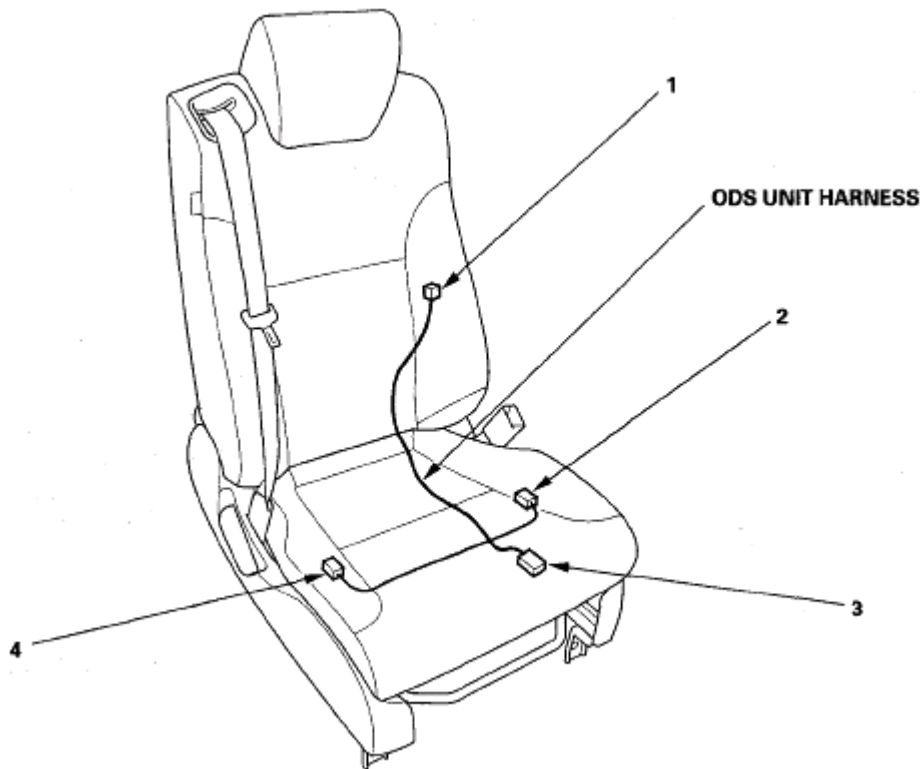


Fig. 24: Identifying ODS Unit Harness

Courtesy of AMERICAN HONDA MOTOR CO., INC.