

2007-08 ACCESSORIES AND EQUIPMENT

Consoles - Element

CENTER CONSOLE REMOVAL/INSTALLATION

Special Tools Required

KTC trim tool set SOJATP2014 *

* Available through the American Honda Tool and Equipment Program; call 888-424-6857

SC MODEL

NOTE:

- Put on gloves to protect your hands.
- Use the appropriate tool from the KTC trim tool set to avoid damage when prying components.
- Take care not to scratch the center console, dashboard, and related parts.

1. Pull up on the parking brake lever fully.
2. Push and pull the hook (A) of the beverage holder (B) up, then remove it.

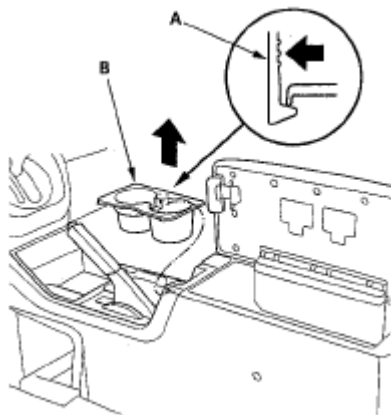


Fig. 1: Identifying Hook Of Beverage Holder
Courtesy of AMERICAN HONDA MOTOR CO., INC.

3. Remove the front trim mat (A). Pull the rear portion of the center console front trim (B) up to detach the clips (C) and hook (D), then pull it backward to release the clips (E) and remove it.

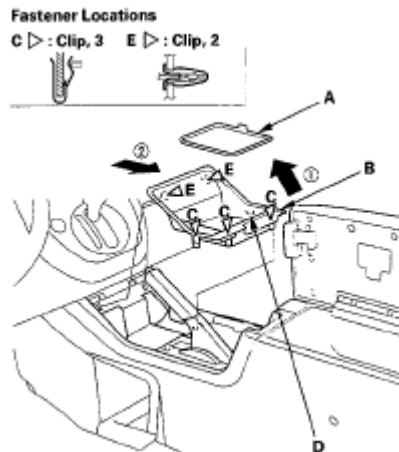


Fig. 2: Identifying Rear Portion Of Center Console Front Trim
 Courtesy of AMERICAN HONDA MOTOR CO., INC.

4. Remove the center console rear trim (A).
 - 1 Open the armrest, and remove the bolt (B) from the bottom of the trim.
 - 2 Pull the right side portion of the trim up to release the hooks (C) and clips (D).
 - 3 Pull the left side portion of the trim up to detach the clips (E) and hooks by pulling the trim up by hand securely.
 - 4 Remove the trim away from the parking brake lever.

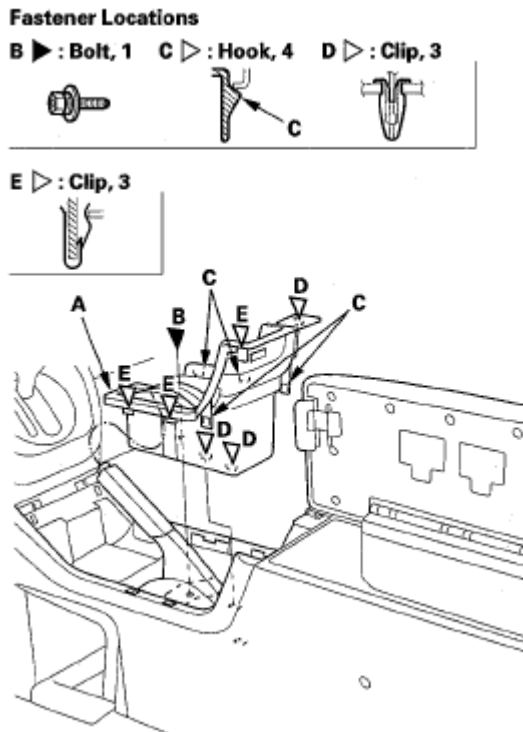


Fig. 3: Identifying Center Console Rear Trim And Clips

Courtesy of AMERICAN HONDA MOTOR CO., INC.

5. Disconnect the console accessory power socket connector (A) from the bottom of the center console. Remove the bolts (B, C).

Fastener Locations

B ▶ : Bolt, 1 C ▶ : Screw, 2

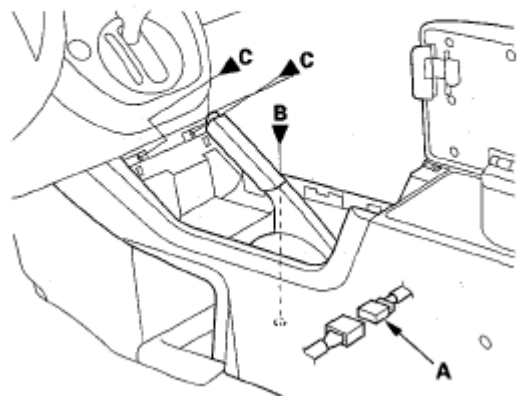


Fig. 4: Identifying Console Accessory Power Socket Connector
Courtesy of AMERICAN HONDA MOTOR CO., INC.

6. Remove the console box mat (A) and bolts.

Fastener Locations

▶ : Bolt, 4

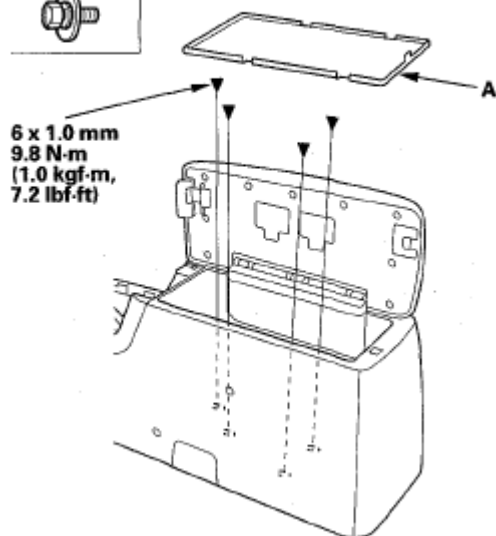


Fig. 5: Identifying Console Box Mat And Bolts With Torque Specification
Courtesy of AMERICAN HONDA MOTOR CO., INC.

7. Lift up the rear of the console, and pull it backward to release the pins (A) and clips from the dashboard, then remove the center console (B).

Fastener Locations

▷ : Clip, 6

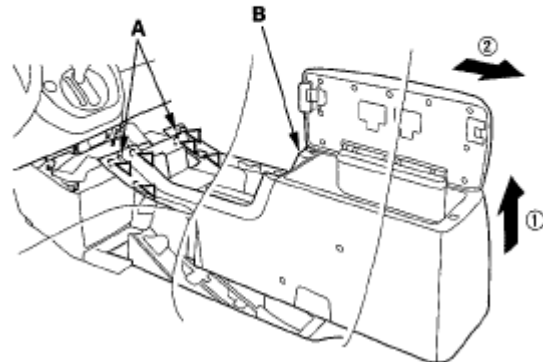


Fig. 6: Identifying Center Console Pins And Clips

Courtesy of AMERICAN HONDA MOTOR CO., INC.

8. Remove the tray mat (A). Pull the rear portion of the center floor tray (B) up and backward to release the clips (C, D) and remove it from the subwoofer.

Fastener Locations

C▷ : Clip, 2 D▷ : Clip, 2

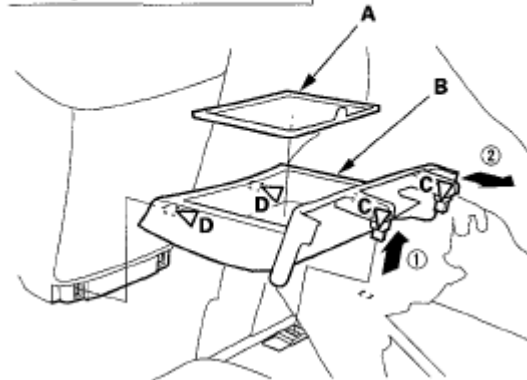


Fig. 7: Identifying Tray Mat

Courtesy of AMERICAN HONDA MOTOR CO., INC.

9. Install the console in the reverse order of removal, and note these items:
 - Check if the clips are damaged or stress-whitened, and if necessary, replace them with new ones.
 - Push the clips and hooks into place securely.
 - Make sure the console accessory power socket connector is plugged in properly.

LX, EX MODELS

NOTE: Take care not to scratch the front seat and related parts.

1. Pull the front edge of the center console (A) to release the clips, and remove the console by releasing the hooks (B).

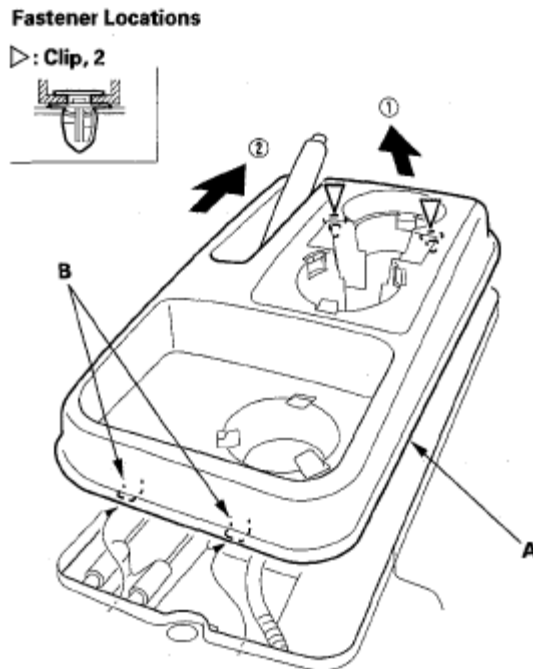


Fig. 8: Identifying Center Console Hooks And Clips
 Courtesy of AMERICAN HONDA MOTOR CO., INC.

2. Install the console in the reverse order of removal, and note these items:
 - Check if the clips are damaged or stress-whitened, and if necessary, replace them with new ones.
 - Push the clip portions into place securely.

CENTER CONSOLE ARMREST REMOVAL/INSTALLATION**SC MODEL**

NOTE: Take care not to scratch the armrest, center console and related parts.

1. Open the armrest (A), then remove the screws (B). Pull out the armrest base (C) to detach the clips (D), then remove it.

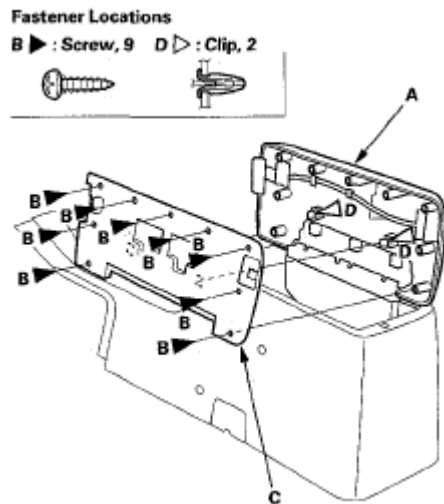


Fig. 9: Identifying Armrest Screws And Clips
 Courtesy of AMERICAN HONDA MOTOR CO., INC.

2. Remove the screws, then remove the center console armrest (A) from the armrest upper hinge (B).

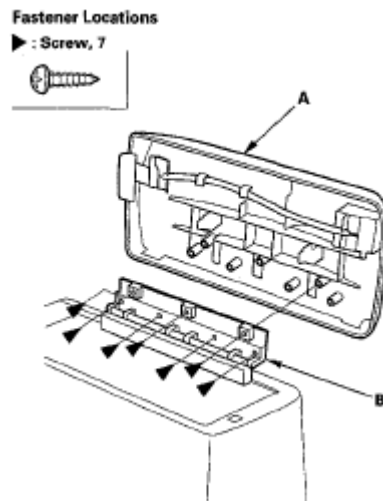


Fig. 10: Identifying Center Console Armrest Upper Hinge
 Courtesy of AMERICAN HONDA MOTOR CO., INC.

3. Install the center console armrest in the reverse order of removal and check if the clips are damaged or stress-whitened, and if necessary, replace them with new ones.

ARMREST LOCK REPLACEMENT

SC MODEL

NOTE: Take care not to scratch the armrest, center console and related parts.

1. Remove the center console armrest (see **CENTER CONSOLE ARMREST REMOVAL/INSTALLATION**).
2. Release the latch cable (A) from hooks (B) of the center console armrest (C). Detach the cable from the front cable bracket (D) and rear cable bracket (E).

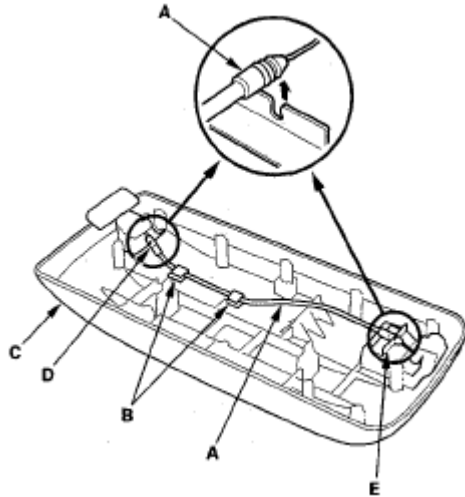


Fig. 11: Identifying Center Console Armrest Hooks
 Courtesy of AMERICAN HONDA MOTOR CO., INC.

3. Remove the screws, then remove the armrest front lock (A) and armrest rear lock (B) and cable (C) together.

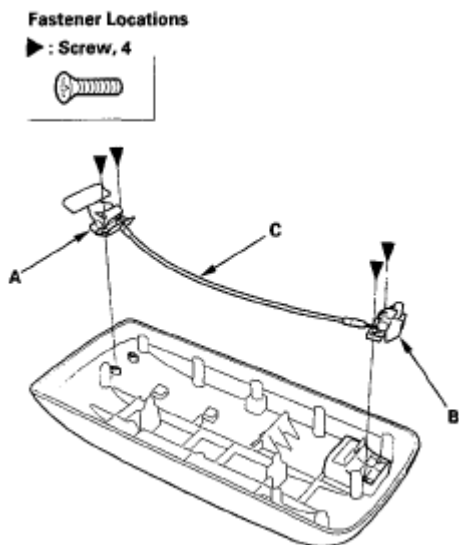


Fig. 12: Identifying Armrest Front Lock And Armrest Rear Lock And Cable
 Courtesy of AMERICAN HONDA MOTOR CO., INC.

4. Release the cable (A) from the front lock (B) and rear lock (C), then remove the locks.

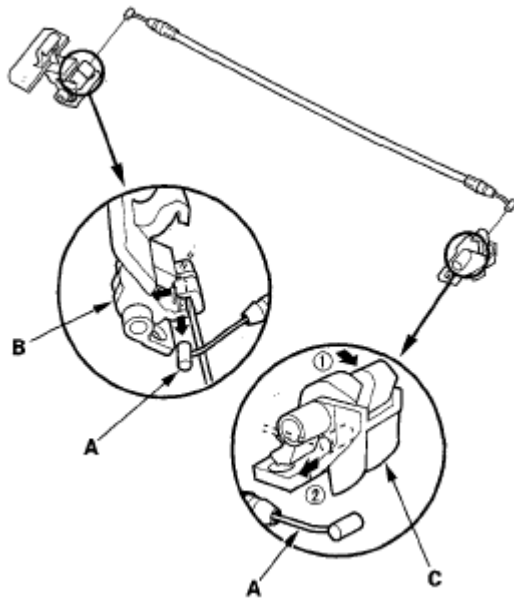


Fig. 13: Identifying Front Lock And Rear Lock Cable
 Courtesy of AMERICAN HONDA MOTOR CO., INC.

5. Install the locks in the reverse order of removal, and make sure they are connected securely.

CENTER CONSOLE DISASSEMBLY/REASSEMBLY

Special Tools Required

KTC trim tool set SOJATP2014 *

* Available through the American Honda Tool and Equipment Program; call 888-424-6857

SC MODEL

NOTE:

- Put on gloves to protect your hands.
- Use the appropriate tool from the KTC trim tool set to avoid damage when prying components.
- Take care not to scratch the center console and related parts.

1. Remove the these items:
 - Center console (see CENTER CONSOLE REMOVAL/INSTALLATION)
 - Center console armrest (see CENTER CONSOLE ARMREST REMOVAL/INSTALLATION)
2. Gently pull out the driver's console trim (A) to detach the clips (B, C), then remove the trim by releasing the hooks (D).

Fastener Locations

B ▷ : Clip, 3 C ▷ : Clip, 3

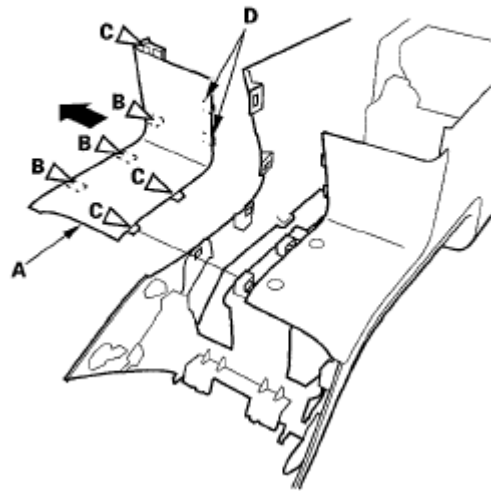


Fig. 14: Identifying Trim By Releasing Hooks
 Courtesy of AMERICAN HONDA MOTOR CO., INC.

3. Remove the screws, then remove the driver's center console side trim (A) from the center console (B).

Fastener Locations

▶ : Screw, 6

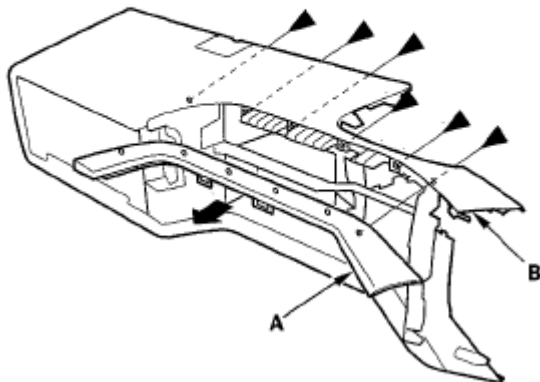


Fig. 15: Identifying Center Console Trim And Screws
 Courtesy of AMERICAN HONDA MOTOR CO., INC.

4. Remove the screws (A, B), and pull out the passenger's console trim (C) to detach the clips (D), then remove it.

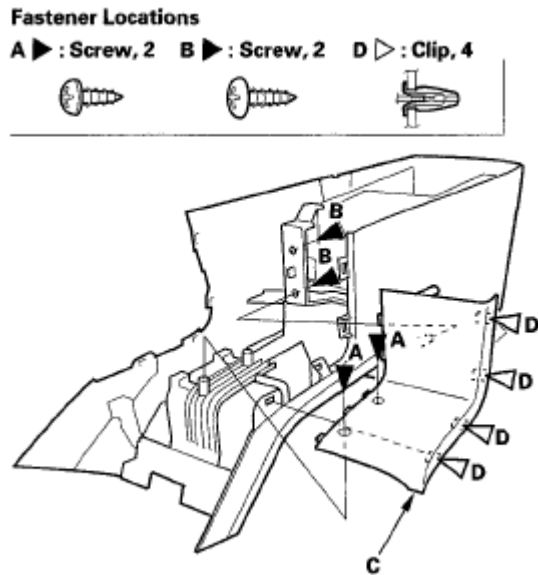


Fig. 16: Identifying Passenger's Console Trim Clips And Screws
 Courtesy of AMERICAN HONDA MOTOR CO., INC.

5. Remove the screws, then remove the center passenger's console side trim (A) from the center console (B).

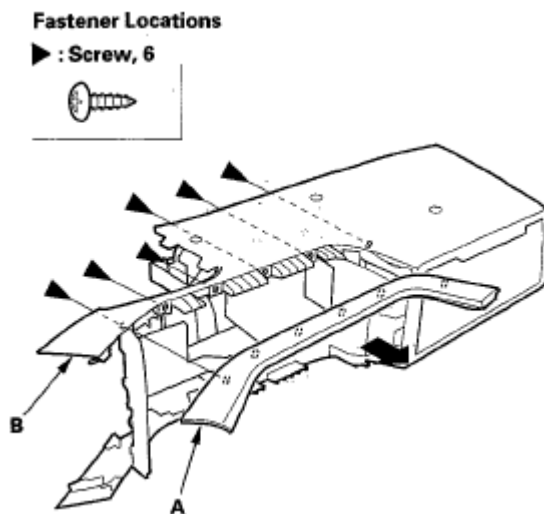


Fig. 17: Identifying Center Passenger's Console Trim Screws
 Courtesy of AMERICAN HONDA MOTOR CO., INC.

6. Remove the center console (A).
 - 1 Disconnect the console accessory power socket connector (B) and auxiliary jack connector (C), and detach the harness clips (D), then remove the console wire harness (E).
 - 2 Remove the screw (F), and remove the harness bracket (G).
 - 3 Pull out the maintenance lid (H) to detach the clip (I), and remove it.
 - 4 Remove the screws (J), then pull out the center console (K) to detach the clips (L), and remove

it.

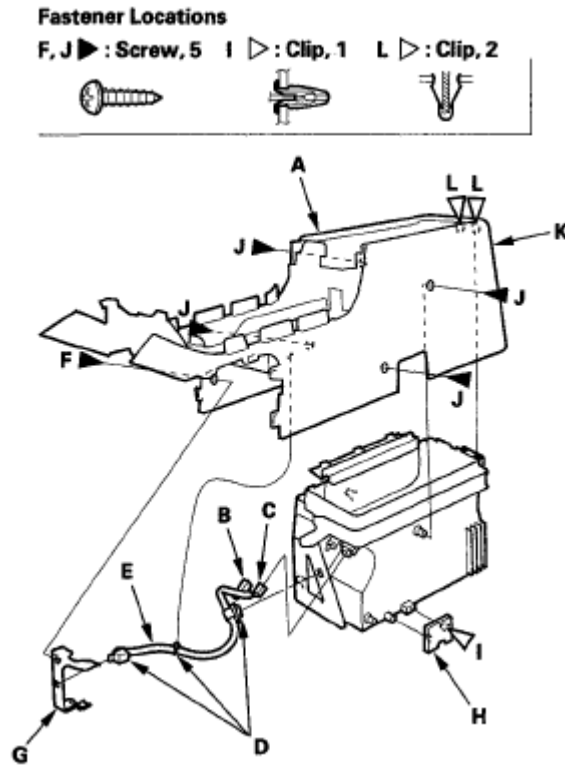


Fig. 18: Identifying Center Console
 Courtesy of AMERICAN HONDA MOTOR CO., INC.

- Remove the screws, and remove the lower hinge bracket (A) and lower hinge (B) from the console box (C).

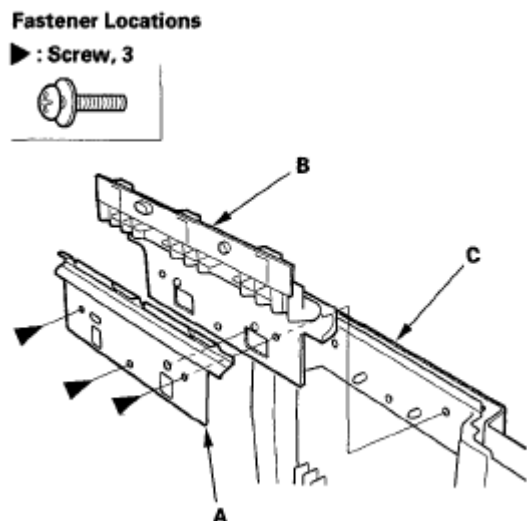


Fig. 19: Identifying Console Box Lower Hinge Bracket And Screws

Courtesy of AMERICAN HONDA MOTOR CO., INC.

8. Remove the screws (A, B), and separate the frame brackets (C, D), then remove the center console box (E).

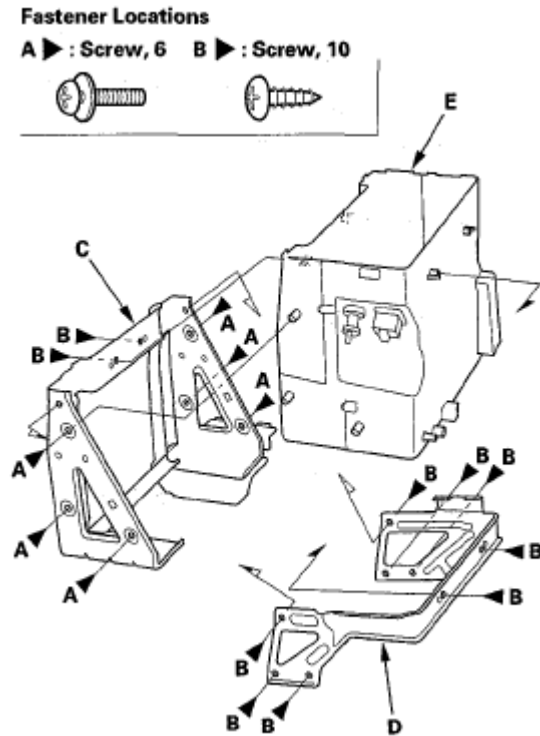


Fig. 20: Identifying Center Console Box Frame Brackets And Screws
Courtesy of AMERICAN HONDA MOTOR CO., INC.

9. Install the center console in the reverse order of removal, and note these items:
 - Check if the clips are damaged or stress-whitened, and if necessary, replace them with new ones.
 - Push the clips and hooks into place securely.
 - Make sure each connector is plugged in properly.