

2007-08 ACCESSORIES AND EQUIPMENT

Fenderwell - Element

SPLASH SHIELD REPLACEMENT

NOTE: **Take care not to scratch the body.**

1. Remove the splash shield (A).
 - 1 From both wheel arches, remove the clips (B) securing the front inner fender (C) and splash shield to the body.
 - 2 From under the front bumper (D), remove the clips (B) and bolts (E).
 - 3 Pull the splash shield out.

2007 Honda Element EX

2007-08 ACCESSORIES AND EQUIPMENT Fenderwell - Element

Fastener Locations

B▷ : Clip, 14

E▶ : Bolt, 2

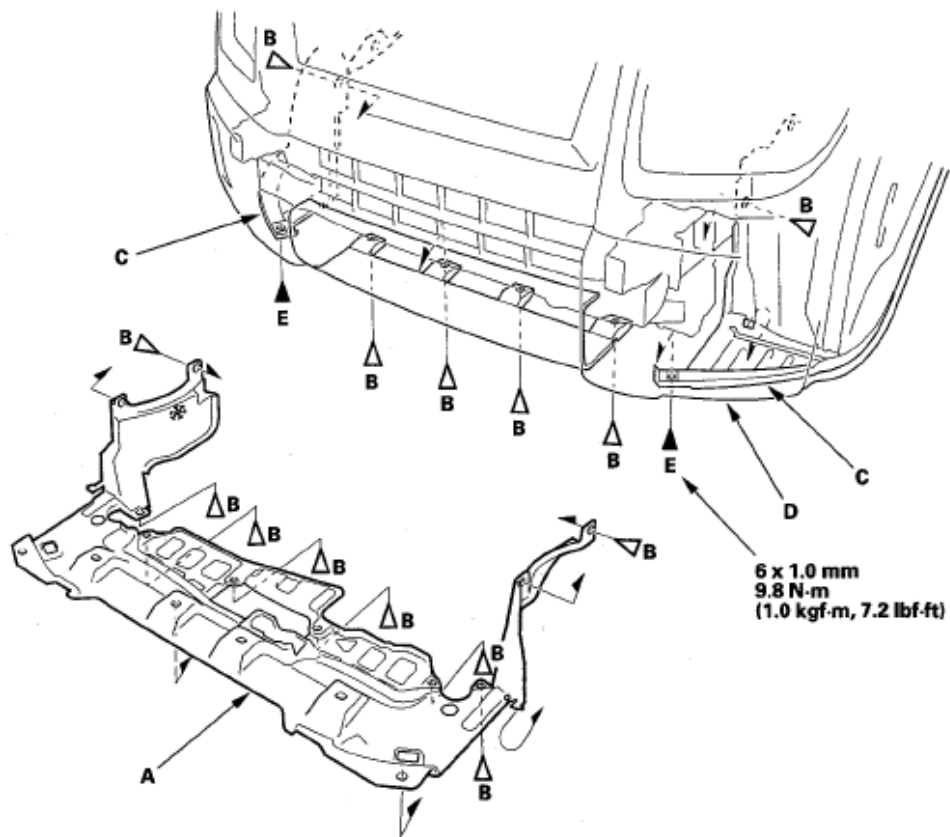


Fig. 1: Identifying Splash Shield Replacement

2. Install the splash shield in the reverse order of removal, and note these items:
 - Check if the clips are damaged or stress-whitened, and if necessary, replace them with new ones.
 - Push the clips into place securely.

FRONT INNER FENDER REPLACEMENT

NOTE: Take care not to scratch the body.

1. Remove the front inner fender (A).
 - 1 On the back of the wheel arch, remove the screws (B, C).
 - 2 From under the front bumper (D), remove the bolts (E) securing the front bumper, splash shield

2007 Honda Element EX

2007-08 ACCESSORIES AND EQUIPMENT Fenderwell - Element

(F), and front inner fender.

-3 From the wheel arch, remove the clips (G, H) securing the front inner fender, front cladding (I) (and splash shield) on the body.

-4 Release the hook (J) of the splash shield from the front inner fender.

-5 From the wheel arch, pull the front inner fender out from between the body and front cladding, then remove the front inner fender.

Fastener Locations

B ▶ : Screw, 3 C ▶ : Screw, 1 E ▶ : Bolt, 2 G ▶ : Clip, 7 H ▶ : Clip, 1

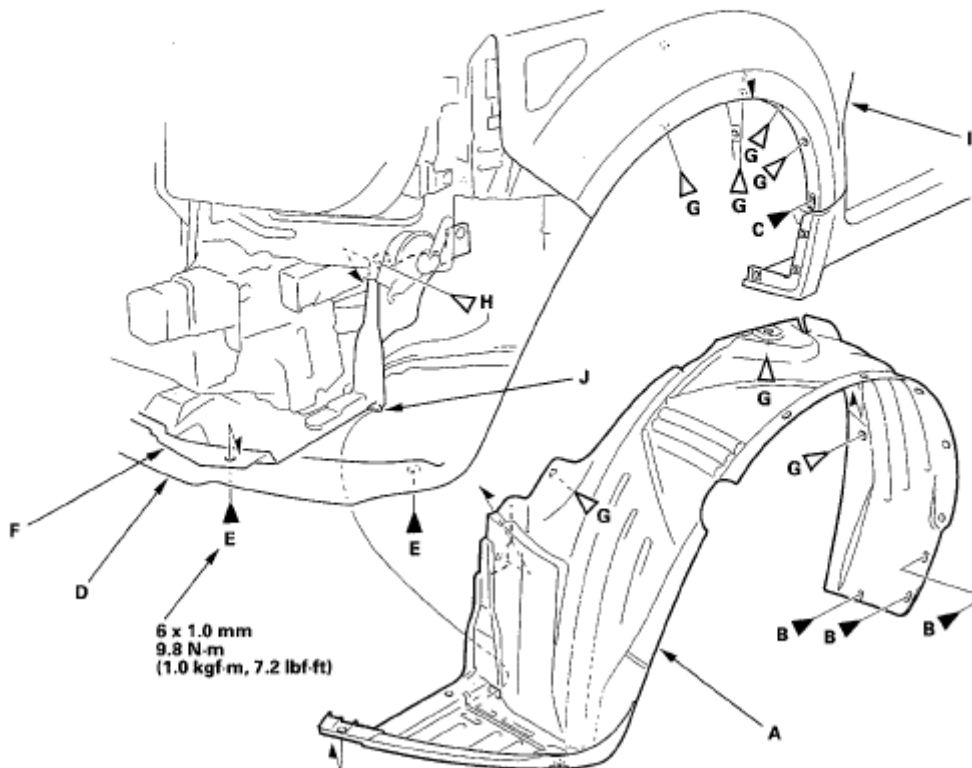


Fig. 2: Identifying Front Inner Fender Replacement

2. Install the inner fender in the reverse order of removal, and note these items:
 - Check if the clips are damaged or stress-whitened, and if necessary, replace them with new ones.
 - Push the clips into place securely.

FUEL PIPE PROTECTOR REPLACEMENT

1. Remove the clips, then remove the fuel pipe protector (A). Take care not to scratch the body.

Fastener Locations

▷ : Clip, 3

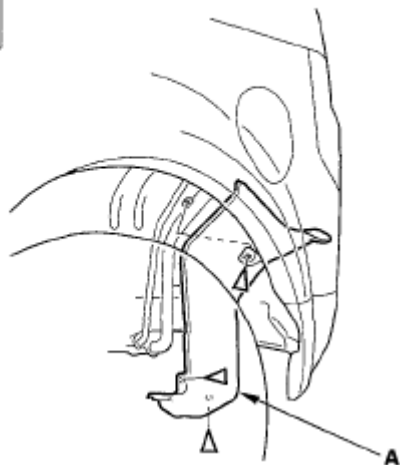


Fig. 3: Identifying Fuel Pipe Protector Replacement

2. Install the protector in the reverse order of removal, and note these items:
 - Check if the clips are damaged or stress-whitened, and if necessary, replace them with new ones.
 - Push the clips into place securely.

REAR AIR OUTLET REPLACEMENT

1. Remove the rear bumper (see [REAR BUMPER REMOVAL/INSTALLATION](#)).
2. Detach the hooks (A), then remove the rear air outlet (B). Take care not to scratch the body.

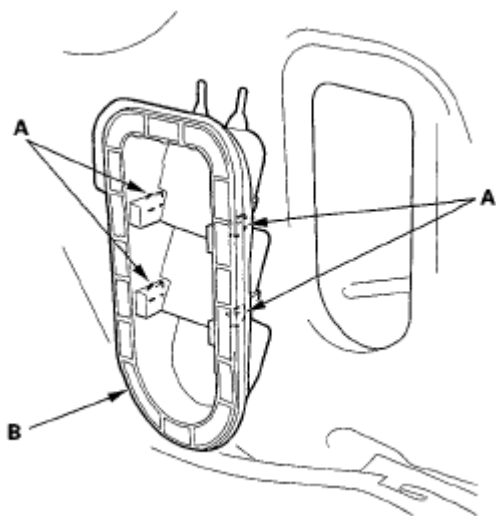


Fig. 4: Identifying Rear Air Outlet Replacement

2007 Honda Element EX

2007-08 ACCESSORIES AND EQUIPMENT Fenderwell - Element

3. Install the air outlet by pushing on the hook portions until the hooks snap into place.