

2007-08 ACCESSORIES AND EQUIPMENT

Frame - Element

FRAME BRACE REPLACEMENT

FRONT STRUT BRACE AND STEERING GEARBOX ROD TORQUE

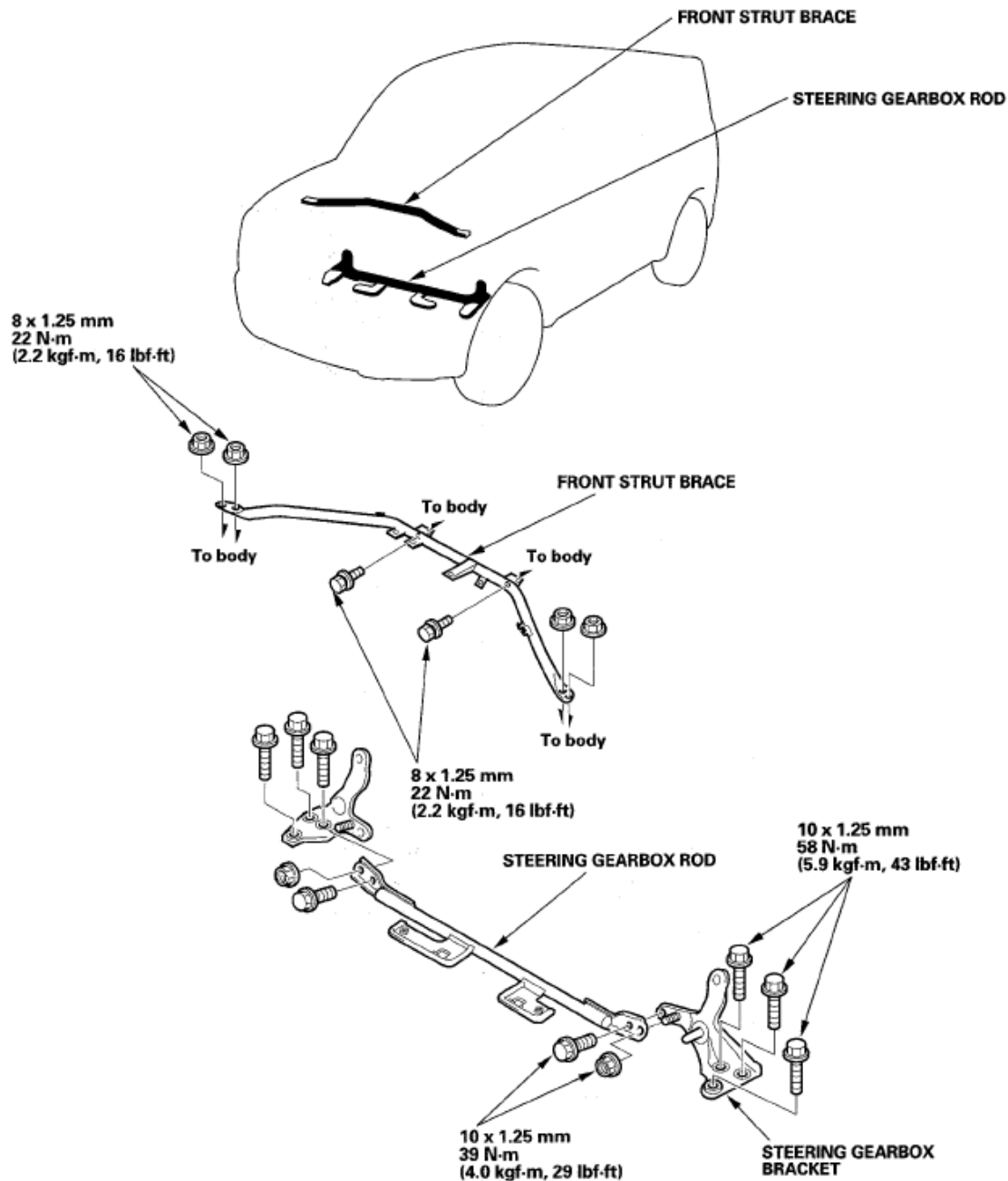


Fig. 1: Identifying Frame Brace Components

SUBFRAME REPLACEMENT

FRONT SUBFRAME TORQUE

NOTE:

- After loosening the subframe mounting bolts, be sure to replace them with new ones.
- When installing, align both installation reference holes in the subframe with both reference holes in the body using a screwdriver or tapered punch as a guide.

2007 Honda Element EX

2007-08 ACCESSORIES AND EQUIPMENT Frame - Element

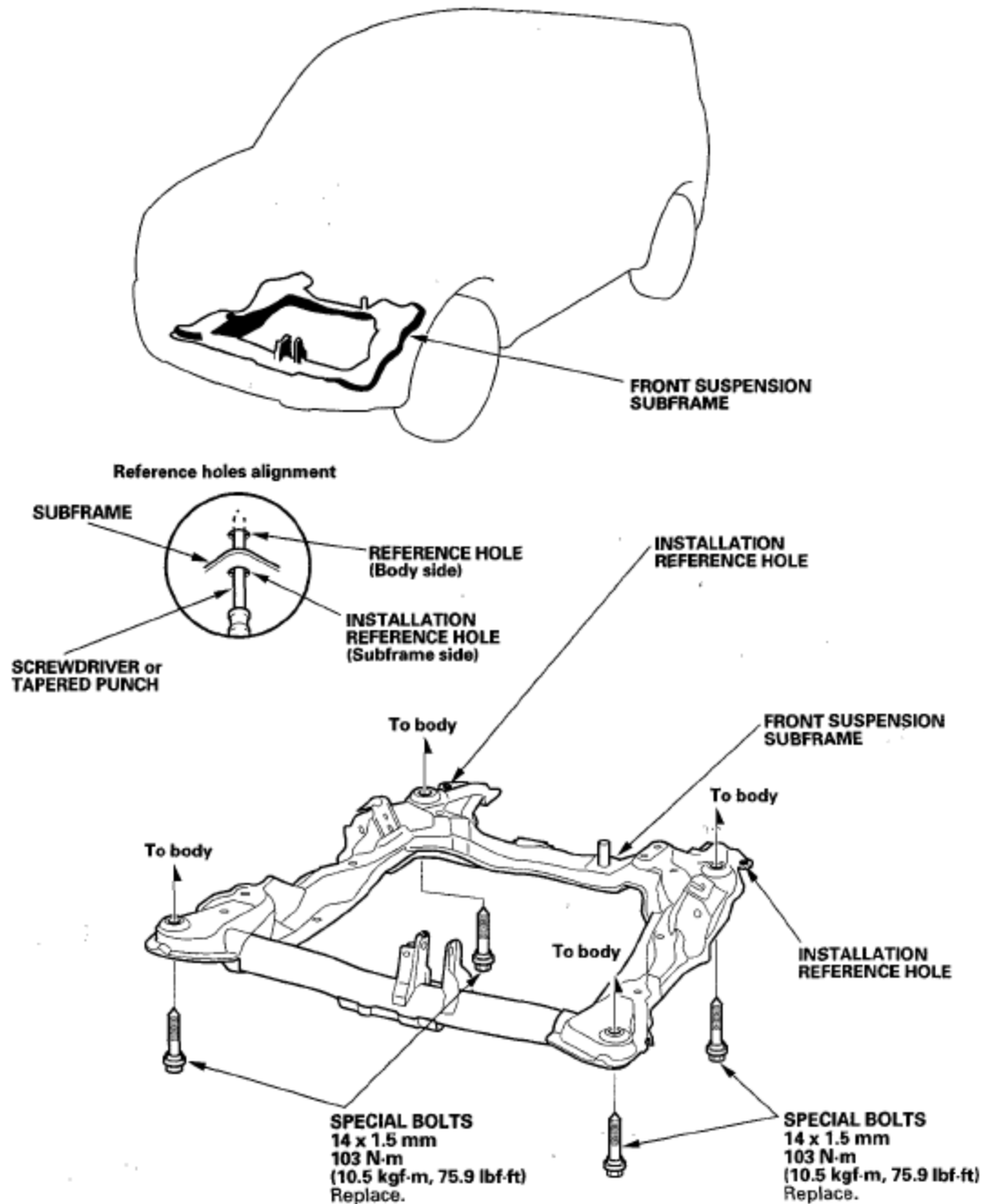


Fig. 2: Identifying Subframe Components

REAR SUBFRAME TORQUE

NOTE:

- After loosening the subframe mounting bolts, be sure to replace them with new ones.
- When installing, align both installation reference holes in the subframe with the reference holes in the body using a screwdriver or tapered punch

as a guide.

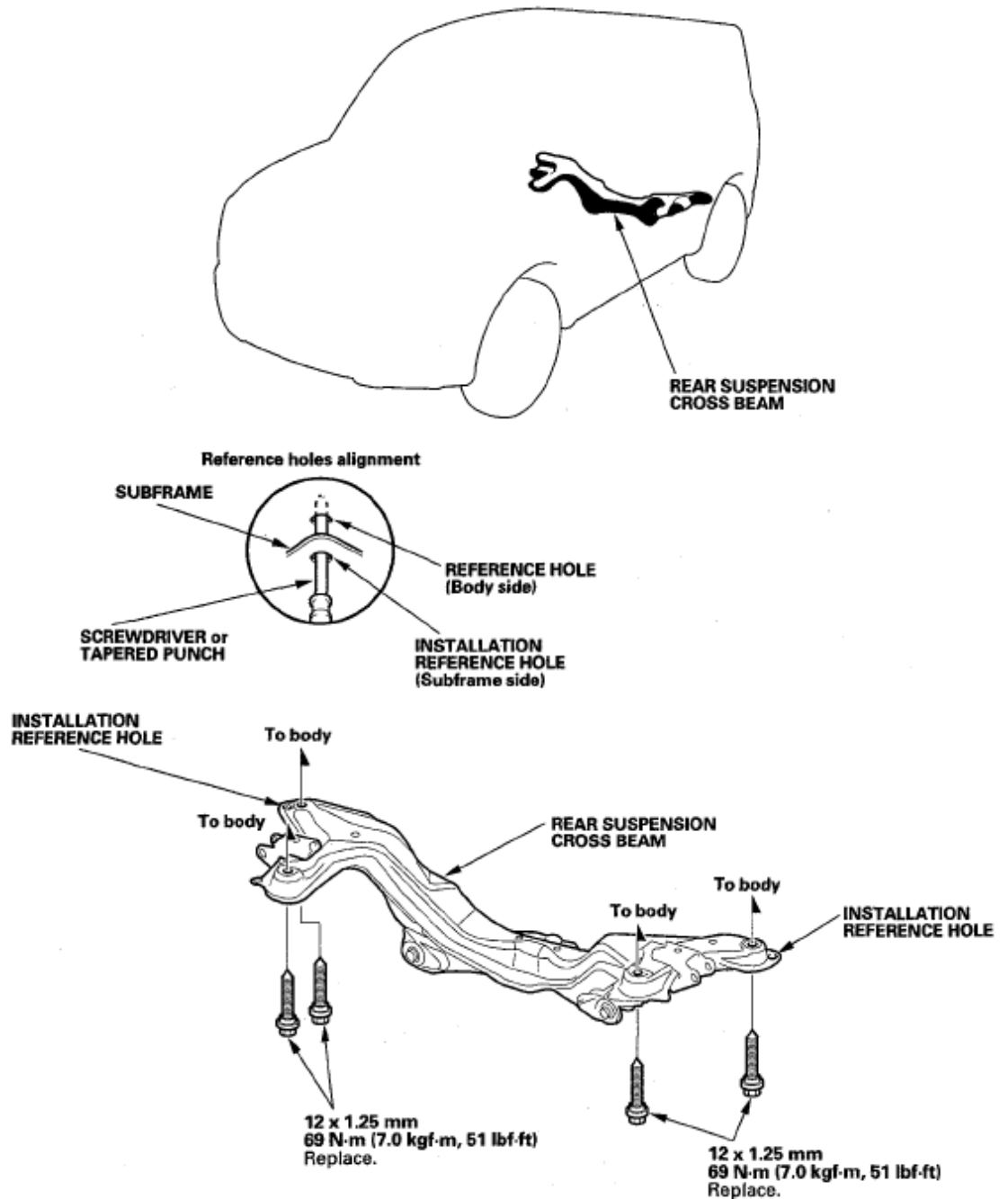


Fig. 3: Identifying Subframe Components With Torque Specifications

FRAME REPAIR CHART

TOP VIEW

2007 Honda Element EX

2007-08 ACCESSORIES AND EQUIPMENT Frame - Element

Unit: mm (in.)
 ø: Inner diameter

- | | | | |
|----|---------------------------------------|----|---------------------------------------|
| a | For front subframe ø16 (0.63) | g1 | For M/T transmission mount ø13 (0.51) |
| b | For engine mount ø13 (0.51) | g2 | For A/T transmission mount ø13 (0.51) |
| c | For engine mount ø13 (0.51) | h | For damper mount ø11.5 (0.45) |
| d | For engine mount ø13 (0.51) | i | Front damper center ø78 (3.07) |
| e1 | For M/T transmission mount ø13 (0.51) | j | For damper mount ø11.5 (0.45) |
| e2 | For A/T transmission mount ø13 (0.51) | k | For damper mount ø11.5 (0.45) |
| f1 | For M/T transmission mount ø13 (0.51) | l | For front subframe ø16 (0.63) |
| f2 | For A/T transmission mount ø13 (0.51) | l1 | For front subframe ø16 (0.63) |

M/T:

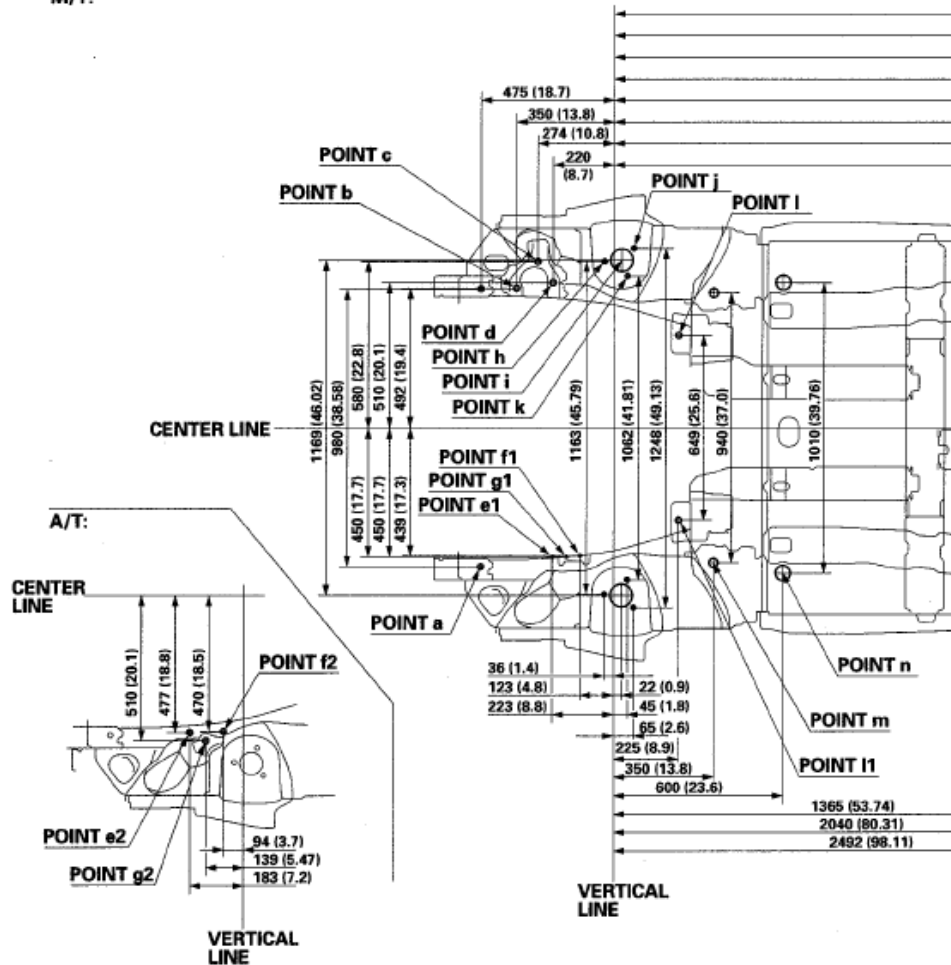


Fig. 4: Frame Repair Chart For Top View (1 Of 2)

2007 Honda Element EX

2007-08 ACCESSORIES AND EQUIPMENT Frame - Element

- | | | | |
|----|--|----|--|
| m | Locating hole $\varnothing 27.4$ (1.08) | s | For trailing arm $\varnothing 14$ (0.55) |
| n | Locating hole $\varnothing 50$ (1.97) | t | Rear damper center $\varnothing 78.6$ (3.09) |
| o | Locating hole $\varnothing 25$ (0.98) | u | For rear cross beam $\varnothing 15$ (0.59) |
| p | Locating hole $\varnothing 25$ (0.98) | u1 | Locating hole $\varnothing 15$ (0.59) |
| p1 | Locating hole $\varnothing 13$ (0.51) Right side | v | For rear cross beam $\varnothing 15$ (0.59) |
| p2 | Locating hole $\varnothing 15$ (0.59) Left side | w | Locating hole $\varnothing 50$ (1.97) |
| q | For trailing arm $\varnothing 14$ (0.55) | x | Locating hole $\varnothing 25$ (0.98) |
| r | Locating hole $\varnothing 15$ (0.59) | | |

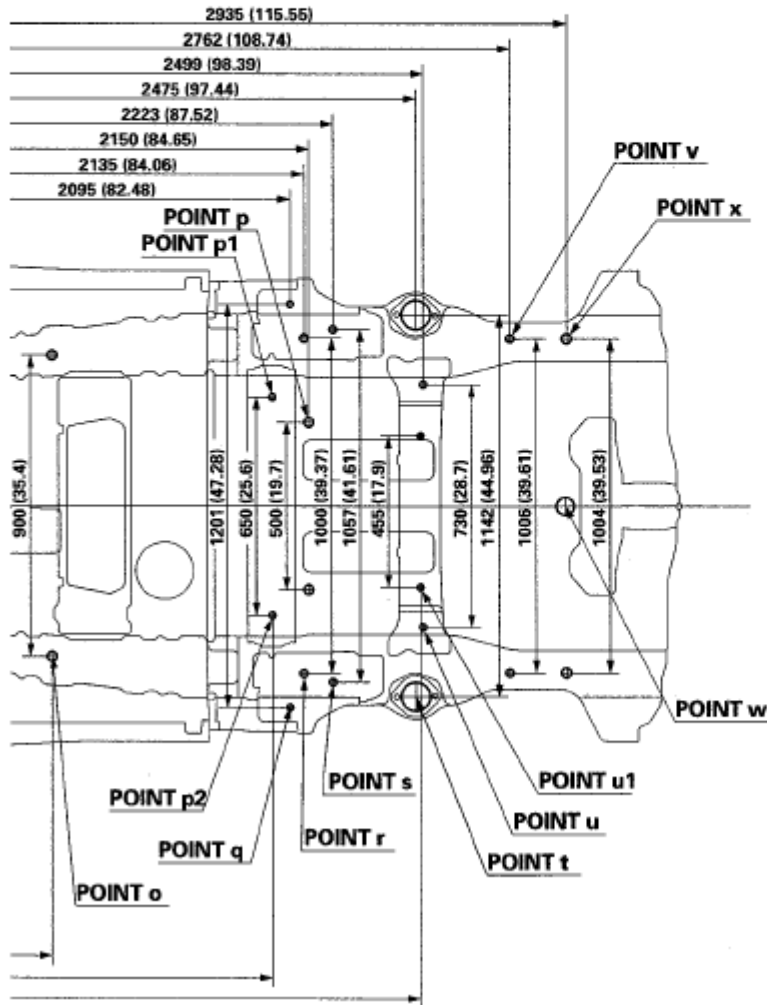


Fig. 5: Frame Repair Chart For Top View (2 Of 2)

SIDE VIEW

2007 Honda Element EX

2007-08 ACCESSORIES AND EQUIPMENT Frame - Element

Unit: mm (in.)

ø: Inner diameter

- | | | | |
|----|---------------------------------------|----|---------------------------------------|
| a | For front subframe ø16 (0.63) | g1 | For M/T transmission mount ø13 (0.51) |
| b | For engine mount ø13 (0.51) | g2 | For A/T transmission mount ø13 (0.51) |
| c | For engine mount ø13 (0.51) | h | For damper mount ø11.5 (0.45) |
| d | For engine mount ø13 (0.51) | i | Front damper center ø78 (3.07) |
| e1 | For M/T transmission mount ø13 (0.51) | j | For damper mount ø11.5 (0.45) |
| e2 | For A/T transmission mount ø13 (0.51) | k | For damper mount ø11.5 (0.45) |
| f1 | For M/T transmission mount ø13 (0.51) | l | For front subframe ø16 (0.63) |
| f2 | For A/T transmission mount ø13 (0.51) | l1 | For front subframe ø16 (0.63) |

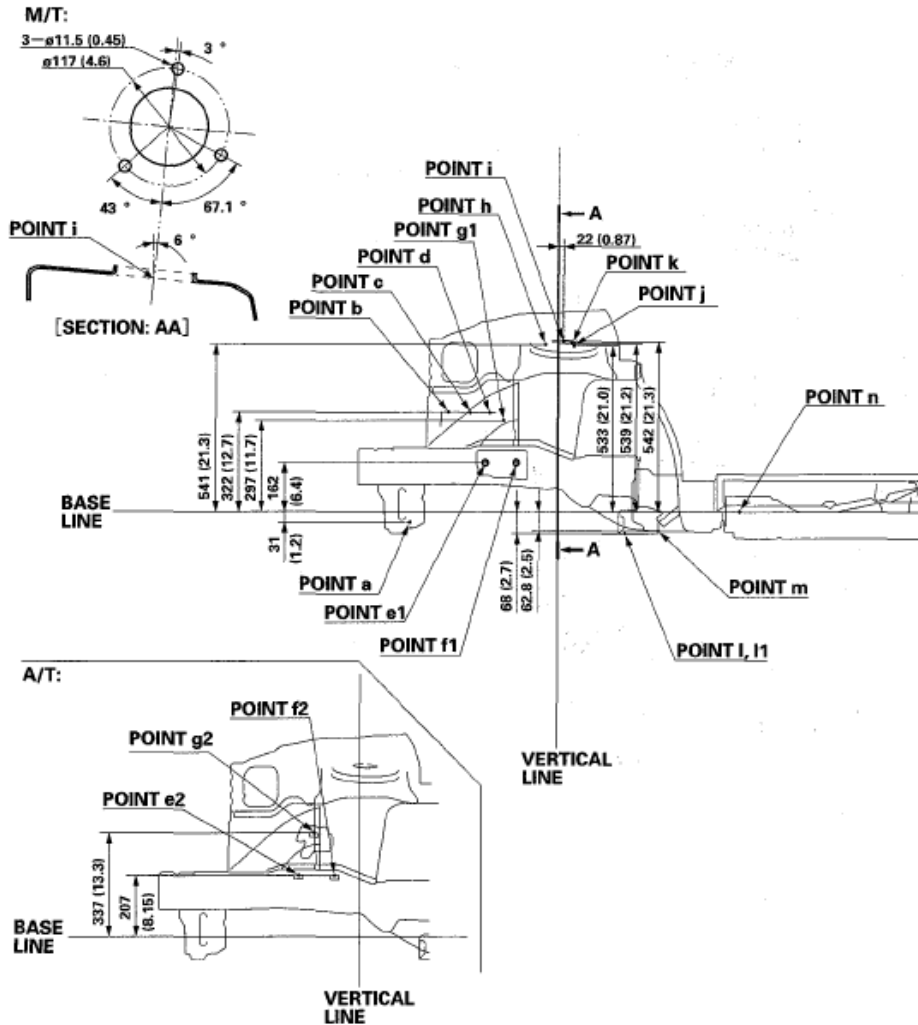


Fig. 6: Frame Repair Chart For Side View (1 Of 2)

2007 Honda Element EX

2007-08 ACCESSORIES AND EQUIPMENT Frame - Element

- | | | | |
|----|--|----|--|
| m | Locating hole $\varnothing 27.4$ (1.08) | s | For trailing arm $\varnothing 14$ (0.55) |
| n | Locating hole $\varnothing 50$ (1.97) | t | Rear damper center $\varnothing 78.6$ (3.09) |
| o | Locating hole $\varnothing 25$ (0.98) | u | For rear cross beam $\varnothing 15$ (0.59) |
| p | Locating hole $\varnothing 25$ (0.98) | u1 | Locating hole $\varnothing 15$ (0.59) |
| p1 | Locating hole $\varnothing 13$ (0.51) Right side | v | For rear cross beam $\varnothing 15$ (0.59) |
| p2 | Locating hole $\varnothing 15$ (0.59) Left side | w | Locating hole $\varnothing 50$ (1.97) |
| q | For trailing arm $\varnothing 14$ (0.55) | x | Locating hole $\varnothing 25$ (0.98) |
| r | Locating hole $\varnothing 15$ (0.59) | | |

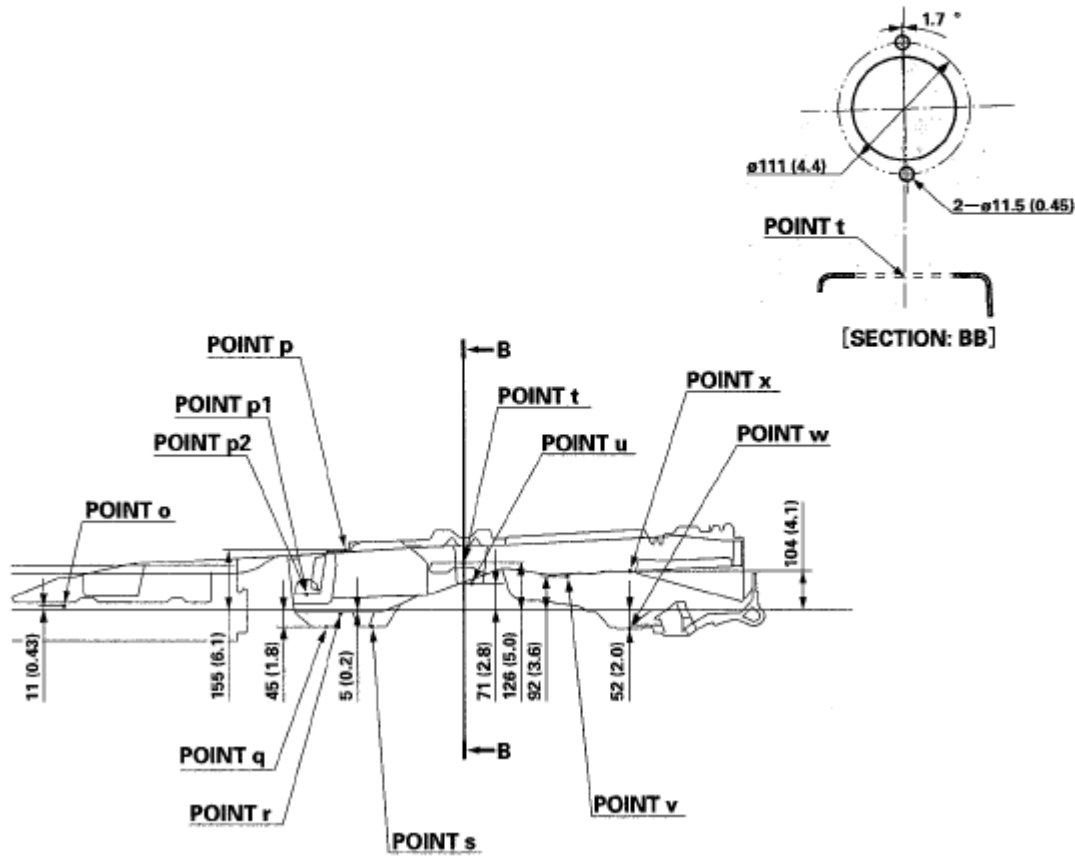


Fig. 7: Frame Repair Chart For Side View (2 Of 2)