

2007-08 ACCESSORIES AND EQUIPMENT

Mirrors - Element

COMPONENT LOCATION INDEX

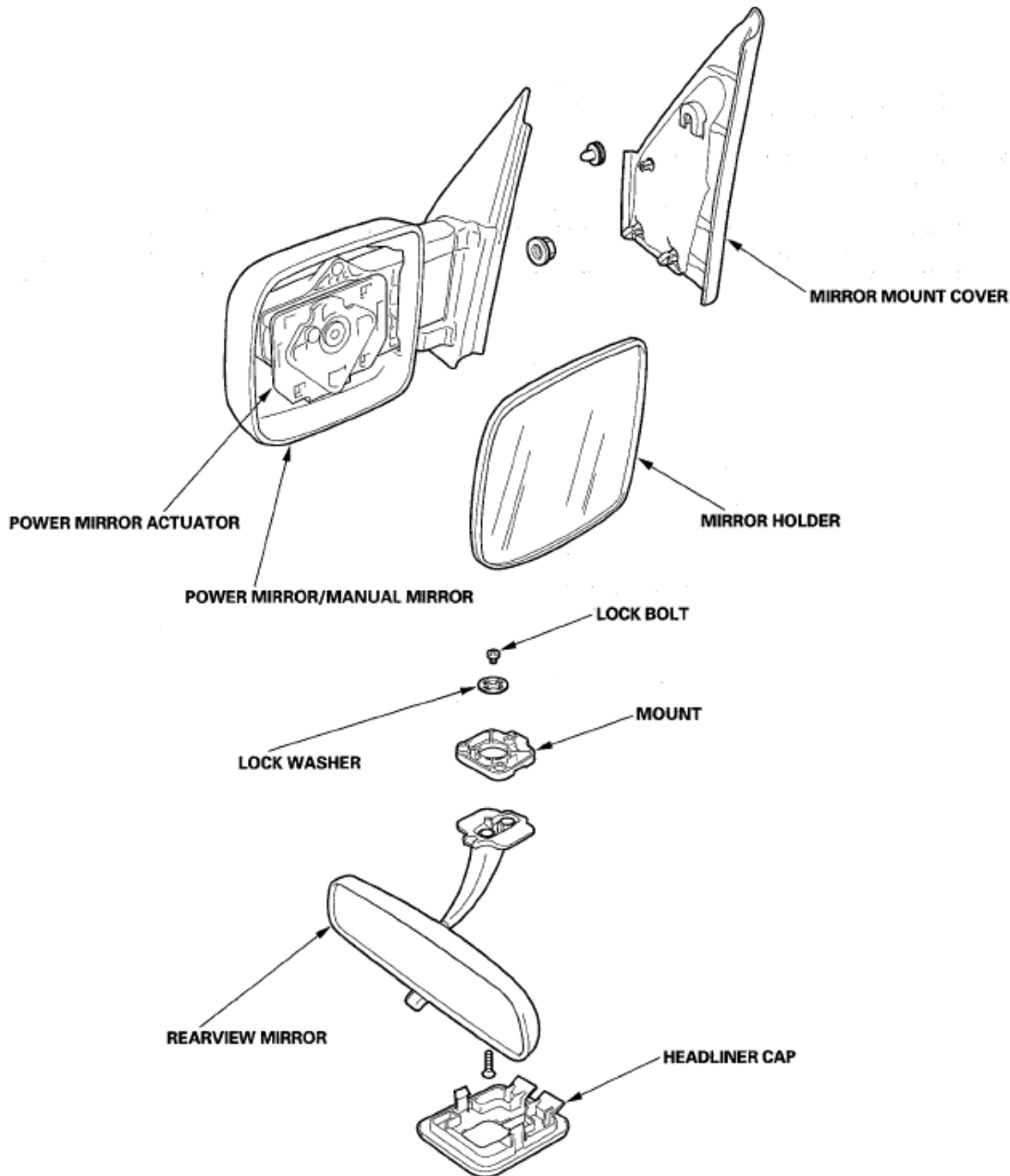


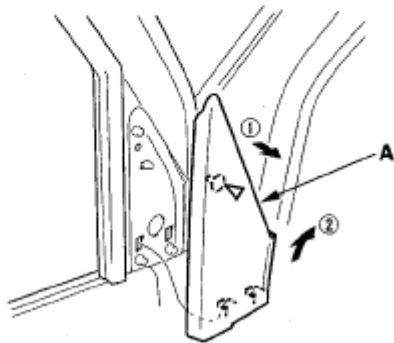
Fig. 1: Identifying Mirrors Components

POWER MIRROR/MANUAL MIRROR REPLACEMENT

1. Lower the door glass fully.
2. Carefully pry out the mirror mount cover (A) by hand in the sequence shown.

**Fastener Location**

▷: Clip, 1

**Fig. 2: Prying Out Mirror Mount Cover**

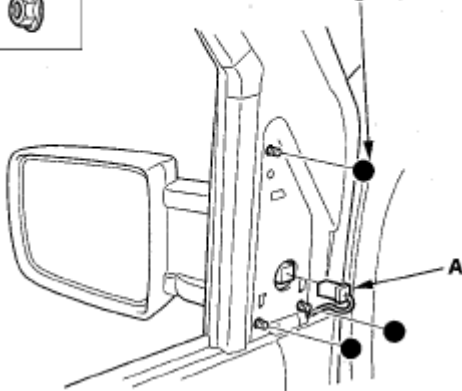
3. On power mirror model: Disconnect the connector (A).

**Fastener Locations**

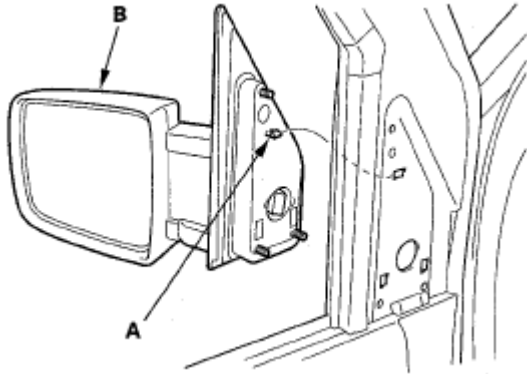
●: Nut, 3



5 x 0.8 mm  
5 N·m  
(0.5 kgf·m, 4 lbf·ft)

**Fig. 3: Disconnecting Connector**

4. While holding the mirror, remove the nuts securing the mirror.
5. Release the hook (A), then remove the mirror (B).

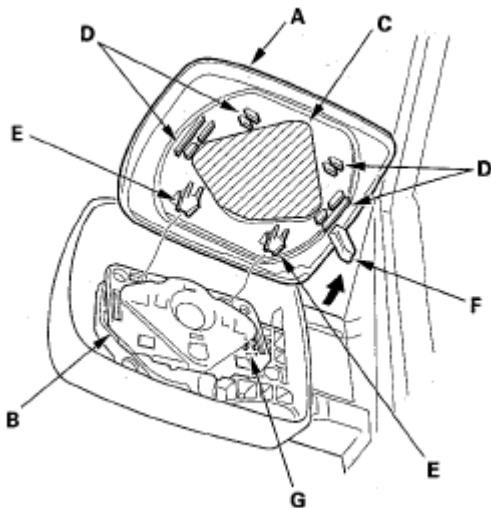


**Fig. 4: Identifying Hook And Mirror**

6. Install the mirror in the reverse order of removal, and note these items:
  - Make sure the connector is plugged in properly (power mirror model).
  - Check if the clip is damaged or stress-whitened, and if necessary, replace it with a new one.
  - Push the cover clip portion into place securely.

## MIRROR HOLDER REPLACEMENT

1. Carefully pull out the bottom edge of the mirror holder (A) by hand. Take care not to scratch the mirror.



**Fig. 5: Pulling Out Bottom Edge Of Mirror Holder**

2. Separate the mirror holder from the actuator (B) by slowly pulling them apart while separating the adhesive (C), detaching the clips (D), and releasing the hooks (E). Manual mirror: Release the pin (F) from the pin spring (G).
3. Reattach the hooks of the mirror holder to the actuator, and on the manual mirror, reattach the pin of the mirror holder to the pin spring of the mirror bracket, then position the mirror holder on the actuator. Carefully push on the clip portions of the mirror holder until the mirror holder locks into place.

4. Check the operation of the actuator.

## REARVIEW MIRROR REPLACEMENT

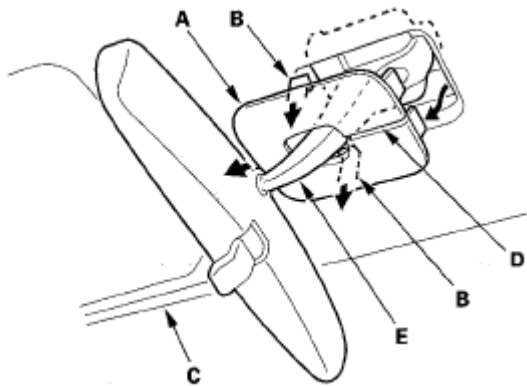
### Special Tools Required

KTC trim tool set SOJATP2014 \*

\* Available through the American Honda Tool and Equipment Program; call 888-424-6857

**NOTE:** Use the appropriate tool from the KTC trim tool set to avoid damage when prying components.

1. Using the appropriate tool from the KTC trim tool set, carefully remove the headliner cap (A) by releasing the hooks (B) from the headliner (C), and remove the cap through the slit (D) on it from the rearview mirror stay (E). Take care not to scratch the cap and headliner.

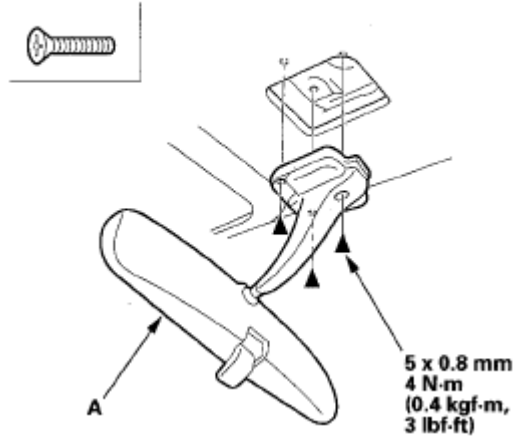


**Fig. 6: Removing Headliner Cap By Releasing Hooks From Headliner**

2. Remove the screws, then remove the rearview mirror (A).

**Fastener Locations**

▶ : Screw, 3



**Fig. 7: Removing Rearview Mirror**

3. Install the rearview mirror in the reverse order of removal.