

2007-08 ENGINE PERFORMANCE

PCV System - Element

COMPONENT LOCATION INDEX

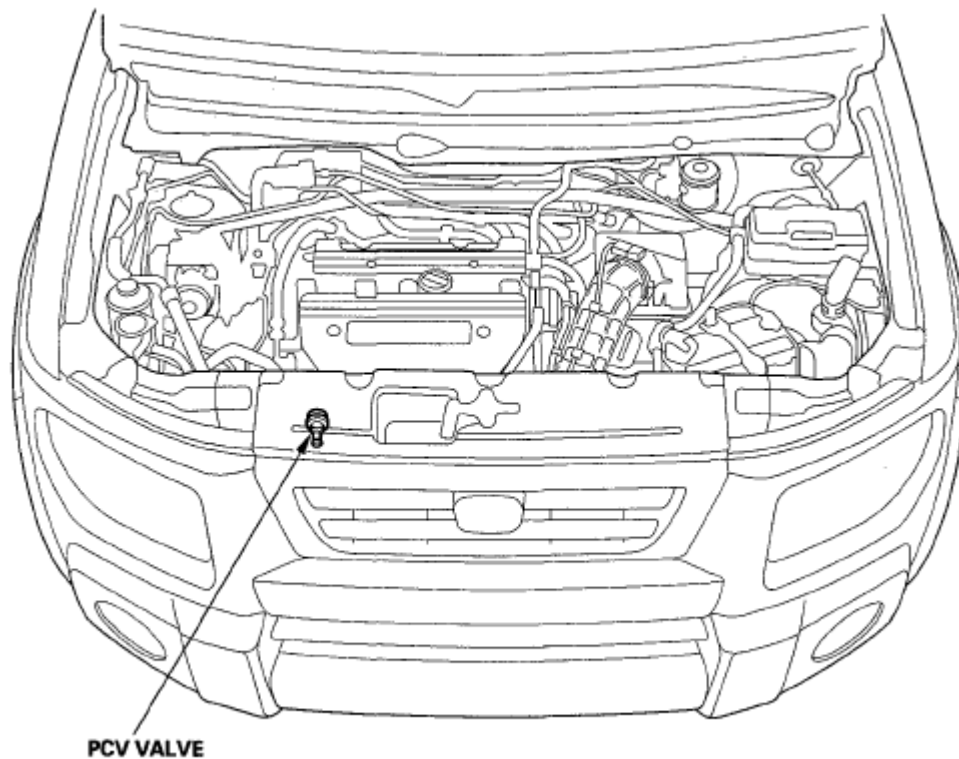


Fig. 1: Identifying PCV System Component Location

PCV VALVE INSPECTION

1. Check the PCV valve (A), hoses (B), and connections for leaks or restrictions.

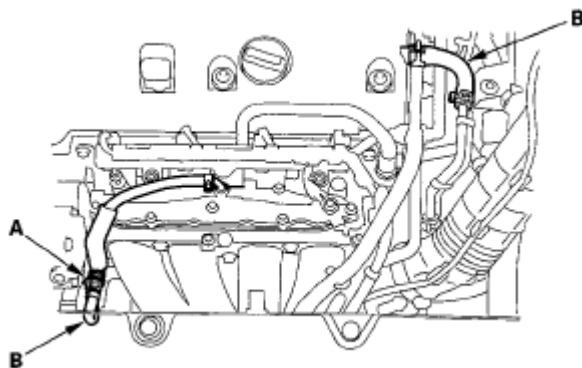
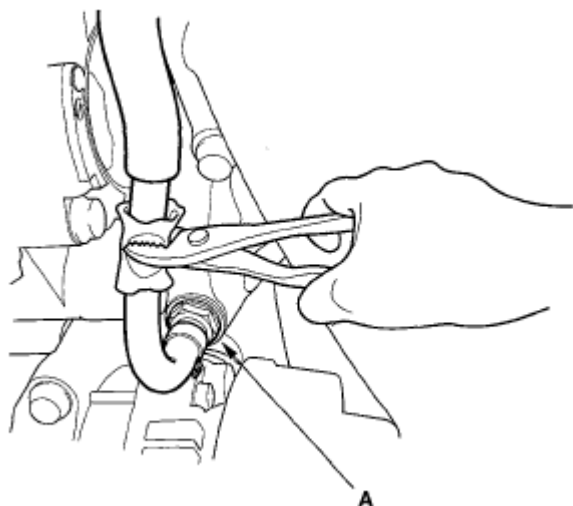


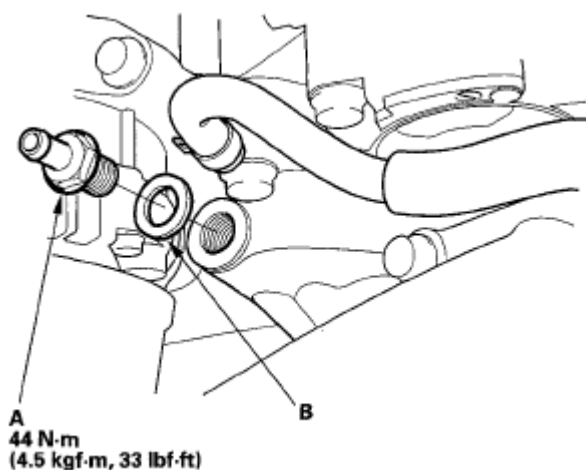
Fig. 2: Identifying PCV Valve, Hoses And Leaks Connections

2. At idle, make sure there is a clicking sound from the PCV valve when the hose between the PCV valve and intake manifold is lightly pinched (A) with your fingers or pliers.

If there is no clicking sound, check the PCV valve washer for cracks or damage. If the washer is OK, replace the PCV valve and recheck.

**Fig. 3: Pinching PCV Hose****PCV VALVE REPLACEMENT**

1. Disconnect the PCV hose.
2. Remove the PCV valve (A).

**Fig. 4: Identifying PCV Valve And PCV Hose**

2007 Honda Element EX

2007-08 ENGINE PERFORMANCE PCV System - Element

3. Install the parts in the reverse order of removal with a new washer (B).