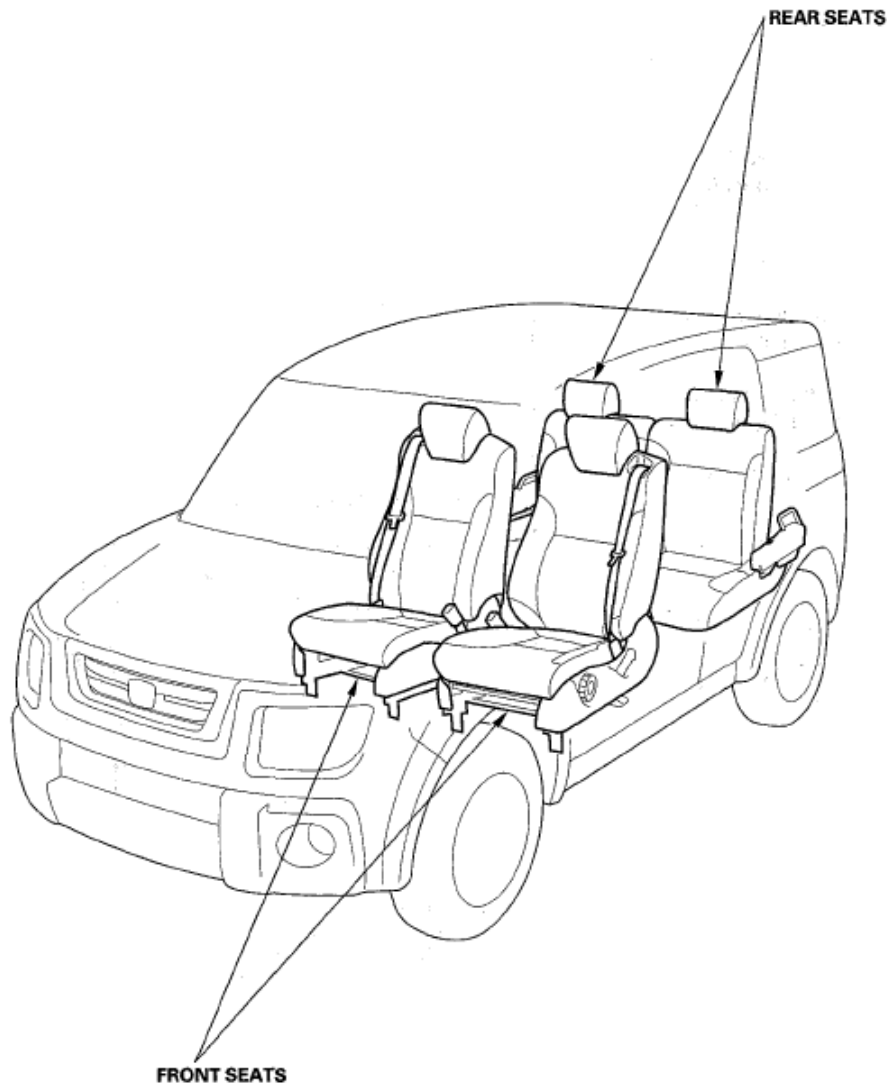


2007-08 ACCESSORIES AND EQUIPMENT

Seats - Element

COMPONENT LOCATION INDEX



**Fig. 1: Identifying Seats Components**

Courtesy of AMERICAN HONDA MOTOR CO., INC.

**FRONT SEAT REMOVAL/INSTALLATION**

**Special Tools Required**

KTC trim tool set SOJATP2014 \*

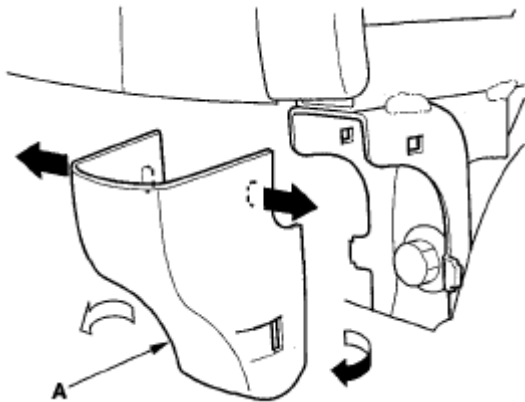
\* Available through the American Honda Tool and Equipment Program; call 888-424-6857

SRS components are located in this area. Review the SRS component locations (see **COMPONENT LOCATION INDEX** ) and the precautions and procedures (see **PRECAUTIONS AND PROCEDURES** ) before doing repairs or service.

**NOTE:**

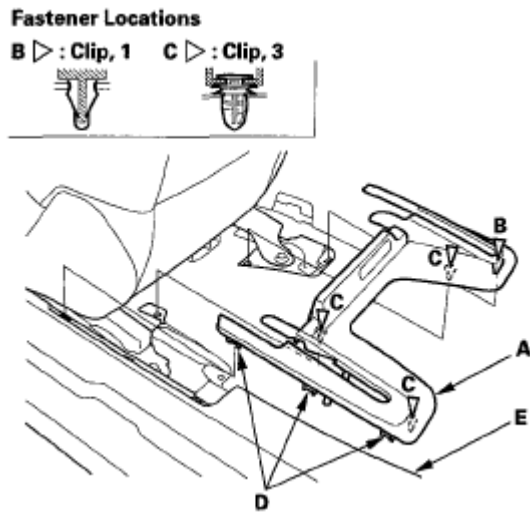
- Use the appropriate tool from the KTC trim tool set to avoid damage when prying components.
- Take care not to scratch the body or tear the seat covers.
- Put on gloves to protect your hands.

1. Make sure you have the anti-theft code for the audio system, then write down the audio presets.
2. Disconnect the negative cable from the battery, and wait at least 3 minutes before beginning work.
3. Remove the front seat track end covers (A) from the front of both seat tracks.



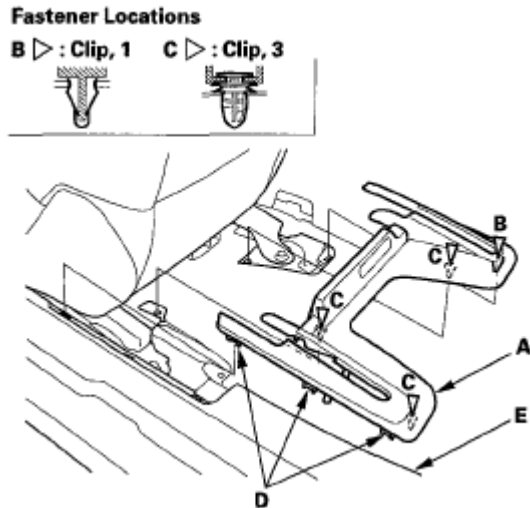
**Fig. 2: Identifying Front Seat Track End Covers**  
Courtesy of AMERICAN HONDA MOTOR CO., INC.

4. Slide the front seat forward fully.
5. Pull the front seat track floor cover (A) up to detach the clips (B, C) and to detach the hooks (D) from the door sill trim (E).



**Fig. 3: Identifying Front Seat Track Floor Cover Clips And Hooks**  
 Courtesy of AMERICAN HONDA MOTOR CO., INC.

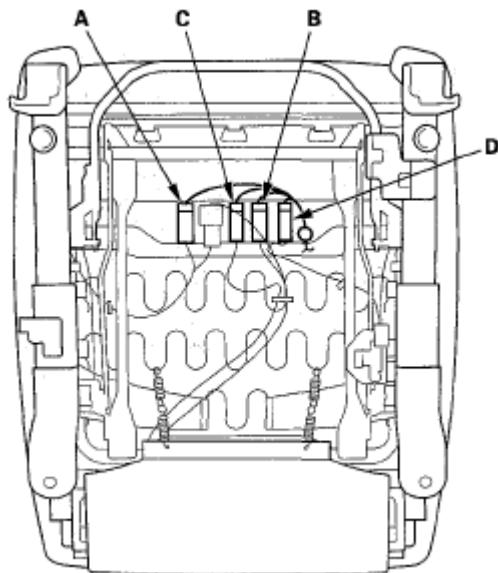
6. Remove the bolts securing the front seat (A).



**Fig. 4: Identifying Front Seat Bolts**  
 Courtesy of AMERICAN HONDA MOTOR CO., INC.

7. Lift up the front seat, than disconnect the seat belt buckle switch connector (A), the seat belt buckle tensioner connector (B), the side airbag connector (C), the seat position sensor connector (D) on driver's seats, and the ODS unit harness connector (E) on passenger's seats.

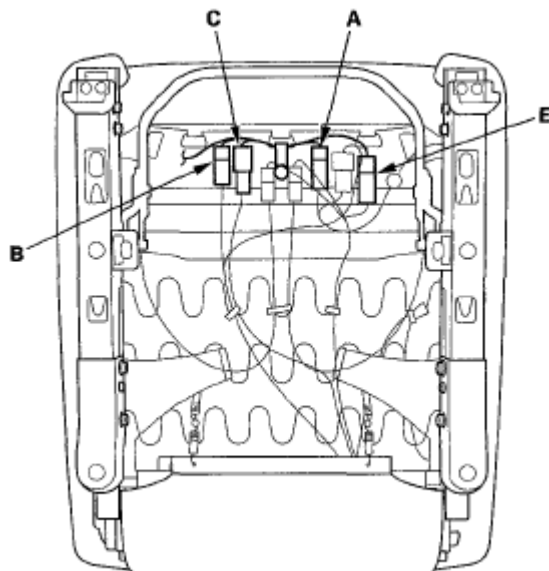
**Driver's seat**



**Fig. 5: Identifying Seat Belt Buckle Tensioner Connector And Side Airbag Connector (Driver's Seat)**

Courtesy of AMERICAN HONDA MOTOR CO., INC.

**Passenger's seat**



**Fig. 6: Identifying Seat Belt Buckle Tensioner Connector And Side Airbag Connector (Passenger's Seat)**

Courtesy of AMERICAN HONDA MOTOR CO., INC.

8. Remove the head restraint.
9. With the help of an assistant, carefully remove the front seat through the door opening.
10. Install the seat in the reverse order of removal, and note these items:

- Check if the clips are damaged or stress-whitened, and if necessary, replace them with a new ones.
- Make sure each connector is plugged in properly.
- Apply medium strength type liquid thread lock to the seat mounting bolts before reinstallation.
- Tighten the seat mounting bolts to the specified torque in the sequence shown. Slide the seat all the way back and tighten (1) and (2), then slide it forward and tighten (3) and (4). The driver's seat is shown; the passenger's seat is similar.
- Tighten the bolts by hand first, then tighten them to specification with a torque wrench.
- Reconnect the negative cable to the battery.
- Enter the anti-theft code for the audio system, then enter the audio presets.
- Reset the clock.
- Do the power window control unit reset procedure (see **RESETTING THE POWER WINDOW CONTROL UNIT** ).



**Fig. 7: Removal/Installation Of Front Seat With Torque Specification**  
 Courtesy of AMERICAN HONDA MOTOR CO., INC.

## FRONT SEAT DISASSEMBLY/REASSEMBLY

SRS components are located in this area. Review the SRS component locations (see **COMPONENT LOCATION INDEX** ) and the precautions and procedures (see **PRECAUTIONS AND PROCEDURES** ) before doing repairs or service.

- Check the operation of the driver's seat position sensor after any of these actions (see **DRIVER'S SEAT POSITION SENSOR OPERATION CHECK** ).
  - Driver's seat position sensor replacement

- Cover plate (front side of driver's seat slide rail) replacement
- Calibrate the ODS unit after any of these actions (see **ODS UNIT CALIBRATION** ).
  - Front passenger's seat replacement (including any seat components)
  - Replacement of the seat weight sensors
  - After a vehicle collision

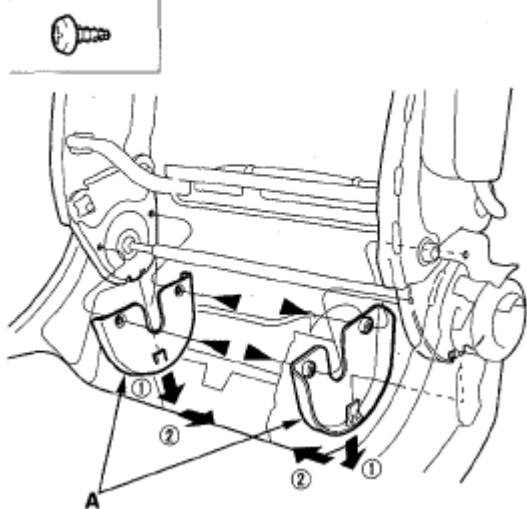
**NOTE:**

- Take care not to tear the seams or damage the seat covers.
- Put on gloves to protect your hands.

1. Remove the front seat (see **FRONT SEAT REMOVAL/INSTALLATION** ).
2. Remove these items:
  - Front seat-back cover (see **FRONT SEAT-BACK COVER REPLACEMENT** )
  - Front seat cushion cover (see **FRONT SEAT CUSHION COVER REPLACEMENT** )
  - Front seat belt buckle (see **SEAT BELT BUCKLE** )
  - Front seat belt upper anchor (see step 7 on **FRONT SEAT BELT** )
  - Front seat belt lower anchor (see step 5 on **REAR SEAT BELT** )
3. Remove the screws securing the recline inner covers (A).

**Fastener Locations**

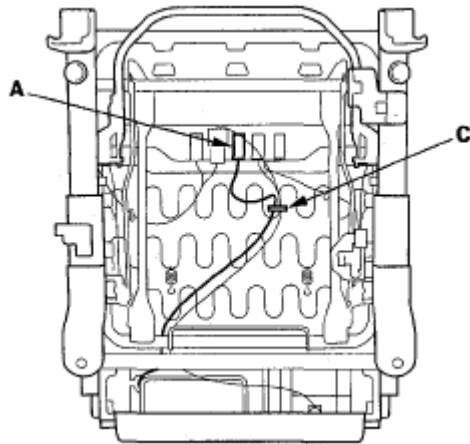
▶ : Screw, 4



**Fig. 8: Identifying Recline Inner Covers Screws**  
 Courtesy of AMERICAN HONDA MOTOR CO., INC.

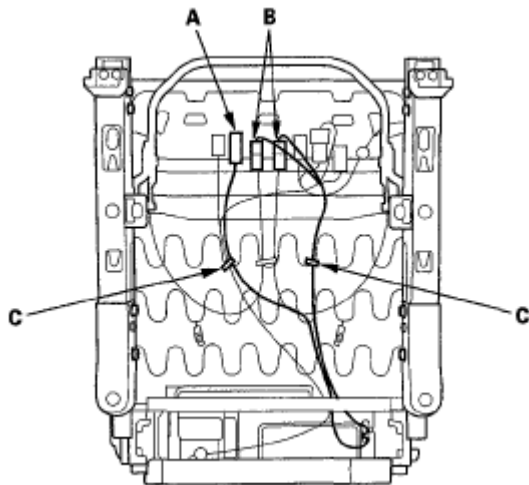
4. Disconnect and/or detach the side airbag connector clip (A) on each side seat, and the ODS subharness connectors (B) on the passenger's seat. Remove the wire tie(s) (C).

**Driver's seat**



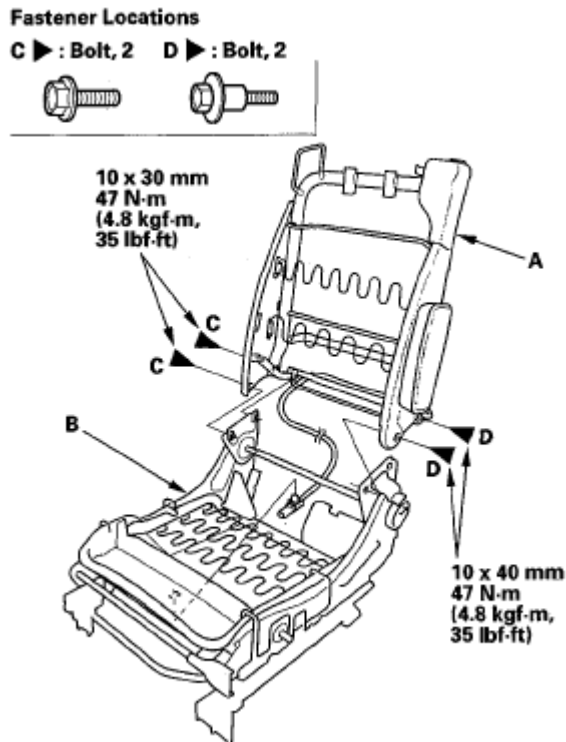
**Fig. 9: Identifying Side Airbag Connector Clip And Wire Ties (Driver's Seat)**  
Courtesy of AMERICAN HONDA MOTOR CO., INC.

Passenger's seat



**Fig. 10: Identifying Side Airbag Connector Clip And Wire Ties (Passenger's Seat)**  
Courtesy of AMERICAN HONDA MOTOR CO., INC.

5. Remove the bolts, then separate the seat-back (A) and the seat cushion (B).



**Fig. 11: Identifying Seat-Back And Seat Cushion With Torque Specifications**  
 Courtesy of AMERICAN HONDA MOTOR CO., INC.

6. Reassemble the front seat in the reverse order of removal, and note these items:
  - Apply multipurpose grease to the moving portions of the seat tracks.
  - Replace the wire ties with new ones.
  - Check if the clips are damaged or stress-whitened, and if necessary, replace them with new ones.
  - Make sure the slide cables on both side seats and the rear seat access rod on the passenger's seat are connected securely.

## FRONT SEAT-BACK COVER REPLACEMENT

### Special Tools Required

KTC trim tool set SOJATP2014 \*

\* Available through the American Honda Tool and Equipment Program; call 888-424-6857

SRS components are located in this area. Review the SRS component locations (see **COMPONENT LOCATION INDEX** ) and the precautions and procedures (see **PRECAUTIONS AND PROCEDURES** ) before doing repairs or service.

- Check the operation of the driver's seat position sensor after any of these actions (see **DRIVER'S SEAT POSITION SENSOR OPERATION CHECK** ).

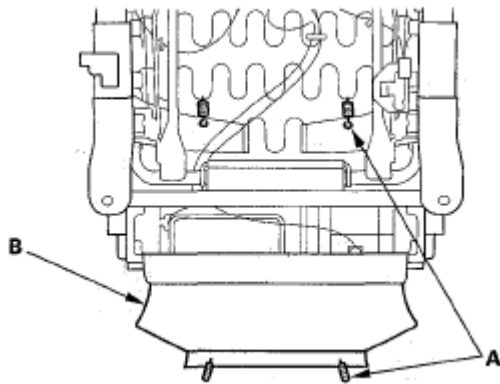


- Driver's seat position sensor replacement
- Cover plate (front side of driver's seat slide rail) replacement
- Calibrate the ODS unit after any of these actions (see **ODS UNIT CALIBRATION** ).
  - Front passenger's seat replacement (including any seat components)
  - Replacement of the seat weight sensors
  - After a vehicle collision

**NOTE:**

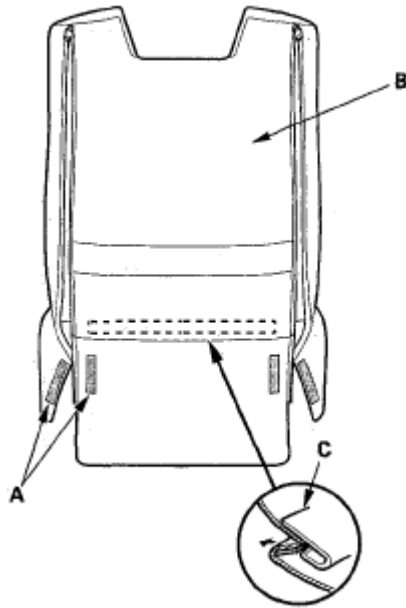
- Use the appropriate tool from the KTC trim tool set to avoid damage when prying components.
- Take care not to tear the seams or damage the seat covers.
- On the passenger's seat, do not touch the ODS sensor in the seat-back pad, and keep it away from oil. Oil can corrode the sensor causing it to fail.
- Put on gloves to protect your hands.

1. Remove the front seat (see **FRONT SEAT REMOVAL/INSTALLATION** ).
2. Remove the head restraint.
3. Remove the seat belt lower anchor bolt (see **FRONT SEAT BELT REPLACEMENT** ).
4. Release the hook springs (A), pull the seat-back cover (B).



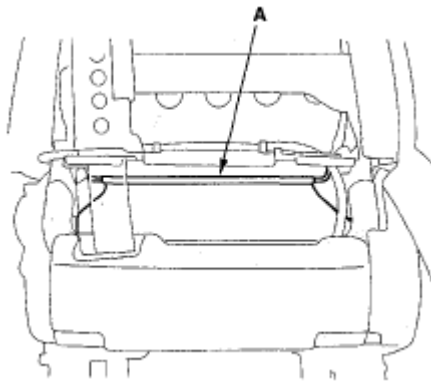
**Fig. 12: Identifying Hook Springs And Seat-Back Cover**  
Courtesy of AMERICAN HONDA MOTOR CO., INC.

5. Release the Velcro fasteners (A), and unzip the seat-back cover (B).



**Fig. 13: Identifying Velcro Fasteners And Seat-Back Cover**  
Courtesy of AMERICAN HONDA MOTOR CO., INC.

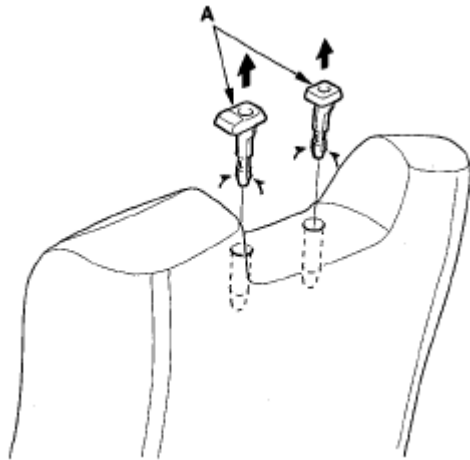
6. Pull the seat-back cover, and release the hook (C).
7. Release the hook(s) (A) from the seat frame.



**Fig. 14: Identifying Seat Frame Hooks**  
Courtesy of AMERICAN HONDA MOTOR CO., INC.

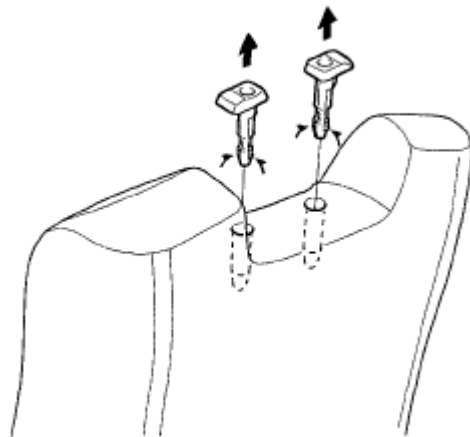
8. Pinch the tabs on the ends of the head restraint guides (A), and remove them from the seat-back.

'07 model



**Fig. 15: Identifying Head Restraint Guides (For '07 Model)**  
Courtesy of AMERICAN HONDA MOTOR CO., INC.

'08 model

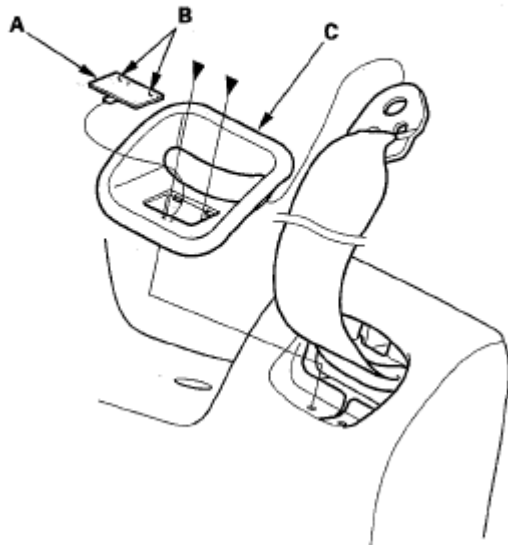


**Fig. 16: Identifying Head Restraint Guides (For '08 Model)**  
Courtesy of AMERICAN HONDA MOTOR CO., INC.

9. Using the appropriate trim tool, pry out on the front belt trim cap (A) to release the hooks (B), then remove the screws securing the shoulder front seat trim (C).

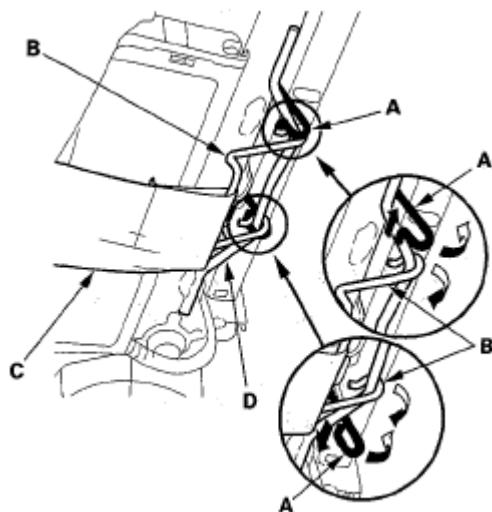
**Fastener Locations**

▶ : Screw, 2



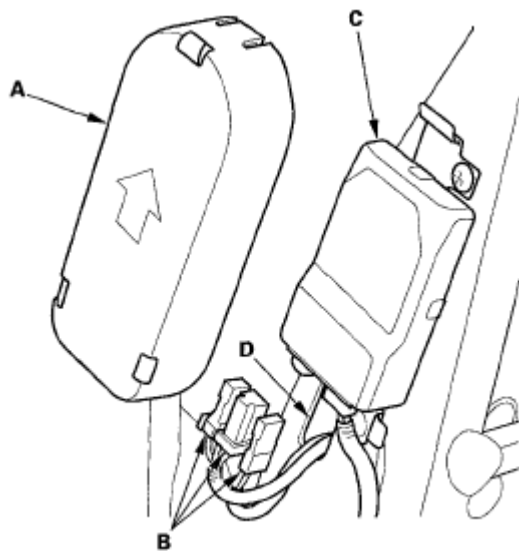
**Fig. 17: Identifying Front Belt Trim, Hooks And Screws**  
 Courtesy of AMERICAN HONDA MOTOR CO., INC.

10. Release the front hook (A) and rear hook (B) of the reinforcing cloth (C) from the seat-back frame (D).



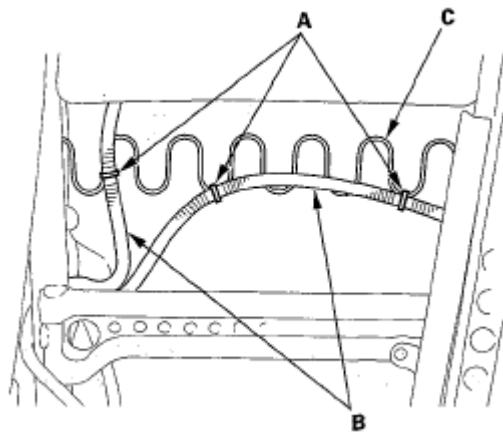
**Fig. 18: Removing Front Hook And Rear Hook Of Reinforcing Cloth From Seat-Back Frame**  
 Courtesy of AMERICAN HONDA MOTOR CO., INC.

11. Passenger's seat: Remove the ODS unit cover (A), and disconnect the OPDS sensor connectors (B) from the ODS unit (C), and pull them in through the hole (D) in the seat frame.



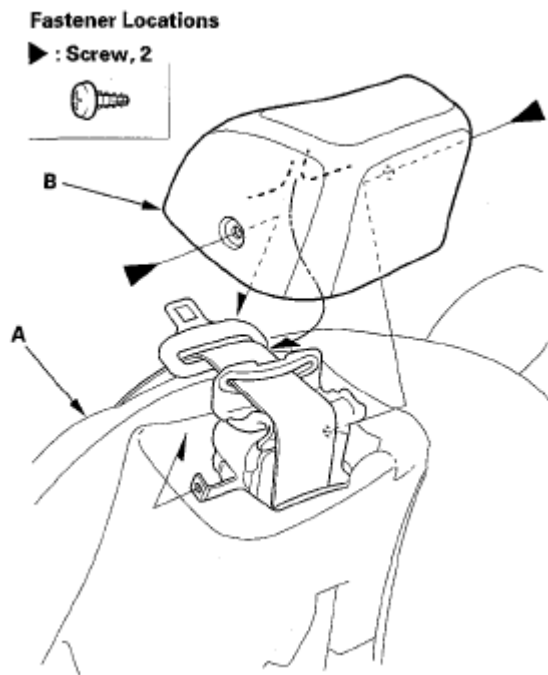
**Fig. 19: Identifying ODS Unit Cover And OPDS Sensor Connectors**  
Courtesy of AMERICAN HONDA MOTOR CO., INC.

12. Passenger's seat: Release the wire ties (A) fastening the OPDS sensor harnesses (B) to the seat-back frame spring (C).



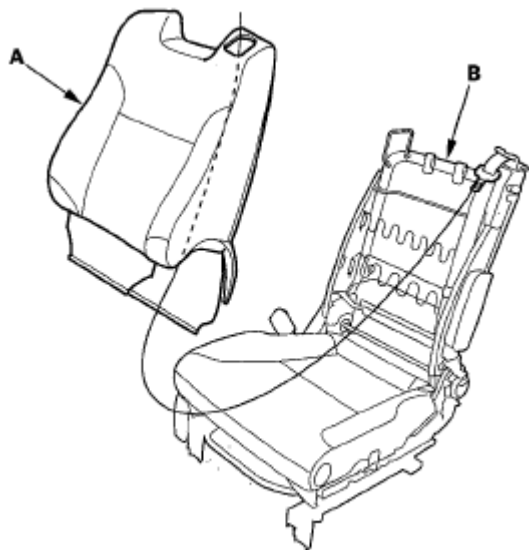
**Fig. 20: Identifying PDS Sensor Harnesses And Seat-Back Frame Spring**  
Courtesy of AMERICAN HONDA MOTOR CO., INC.

13. Turn over the seat-back cover (A), then remove the screws securing the shoulder front seat cover (B).



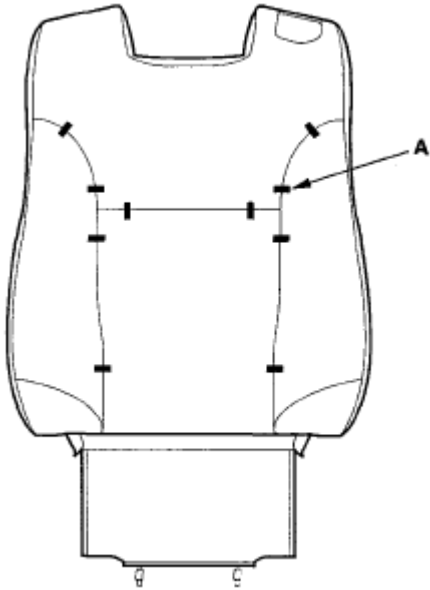
**Fig. 21: Identifying Shoulder Front Seat Cover Screws**  
Courtesy of AMERICAN HONDA MOTOR CO., INC.

14. Remove the seat-back cover/pad (A) from the seat-back frame (B).



**Fig. 22: Identifying Seat-Back Frame Seat-Back Cover/Pad**  
Courtesy of AMERICAN HONDA MOTOR CO., INC.

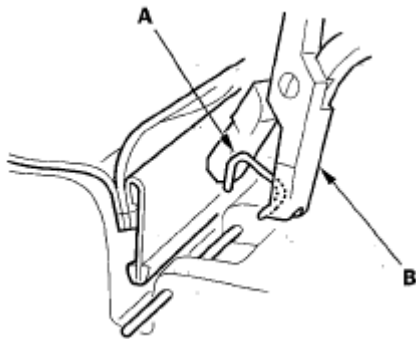
15. Pull back the edge of the seat-back cover all the way around, and release the clips (A), then remove the seat-back cover.



**Fig. 23: Identifying Seat-Back Cover**

Courtesy of AMERICAN HONDA MOTOR CO., INC.

16. Install the cover in the reverse order of removal, and note these items:
- Reinitialize the ODS unit (see **ODS UNIT INITIALIZATION** ).
  - To prevent wrinkles when installing a seat-back cover, make sure the material is stretched evenly over the pad before securing the clips, hooks, and hook strips.
  - Replace any clips you removed with new ones (A). Install them with commercially available upholstery ring pliers (B).
  - Make sure the side airbag harness and ODS subharness (passenger's seat) are routed properly.



**Fig. 24: Identifying Upholstery Ring Pliers And Clips**

Courtesy of AMERICAN HONDA MOTOR CO., INC.

## FRONT SEAT CUSHION COVER REPLACEMENT

### Special Tools Required

## 2007 Honda Element EX

2007-08 ACCESSORIES AND EQUIPMENT Seats - Element

KTC trim tool set SOJATP2014 \*

\* Available through the American Honda Tool and Equipment Program; call 888-424-6857

SRS components are located in this area. Review the SRS component locations (see **COMPONENT LOCATION INDEX** ) and the precautions and procedures (see **PRECAUTIONS AND PROCEDURES** ) before doing repairs or service.

- Check the operation of the driver's seat position sensor after any of these actions (see **DRIVER'S SEAT POSITION SENSOR OPERATION CHECK** ).
  - Driver's seat position sensor replacement
  - Cover plate (front side of driver's seat slide rail) replacement
- Calibrate the ODS unit after any of these actions (see **ODS UNIT CALIBRATION** ).
  - Front passenger's seat replacement (including any seat components)
  - Replacement of the seat weight sensors
  - After a vehicle collision

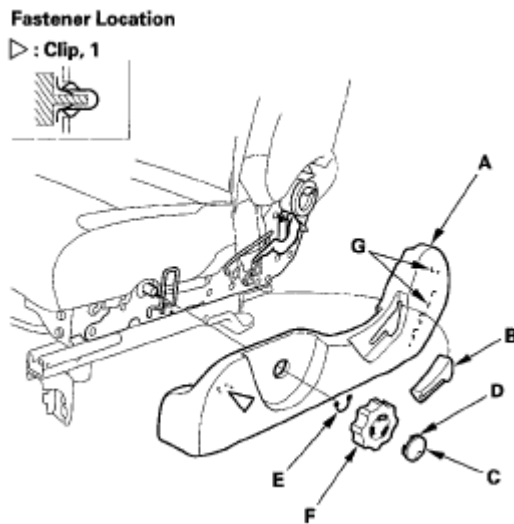
### NOTE:

- Use the appropriate tool from the KTC trim tool set to avoid damage when prying components.
- Take care not to tear the seams or damage the seat covers.
- Put on gloves to protect your hands.

1. Remove the front seat (see **FRONT SEAT REMOVAL/INSTALLATION** ).
2. Remove the recline cover (A).
  - 1 Remove the recline knob (B).
  - 2 Driver's seat: Pull back the cap (C) to release the hooks (D), and remove the snap ring (E), then remove the height handle (F).
  - 3 Gently pull out the cover to detach the clip, and release the hooks (G).

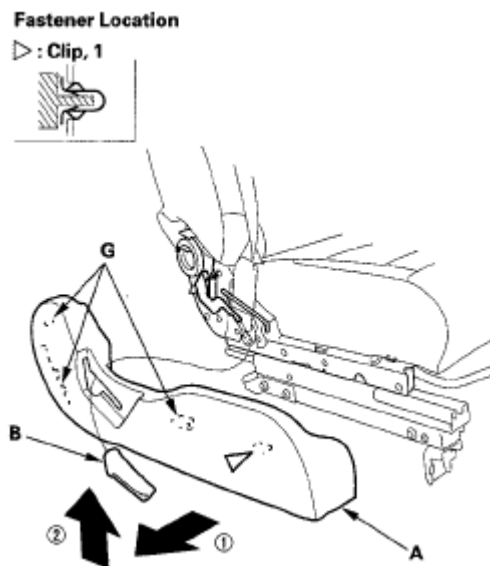
### Driver's seat





**Fig. 25: Identifying Recline Cover (Driver's Seat)**  
Courtesy of AMERICAN HONDA MOTOR CO., INC.

**Passenger's seat**

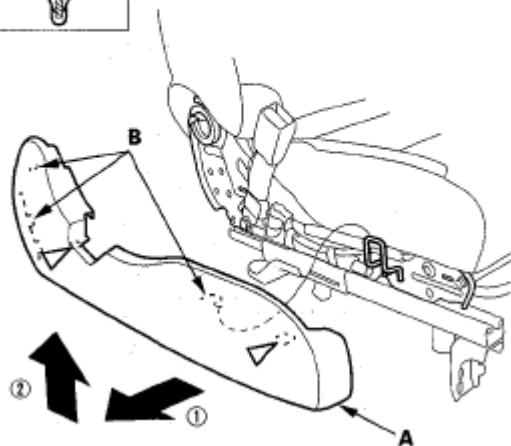


**Fig. 26: Identifying Recline Cover (Passenger's Seat)**  
Courtesy of AMERICAN HONDA MOTOR CO., INC.

3. Gently pull out the center cover (A) to detach the clip, and release the hooks (B).

Fastener Location

▷ : Clip, 1



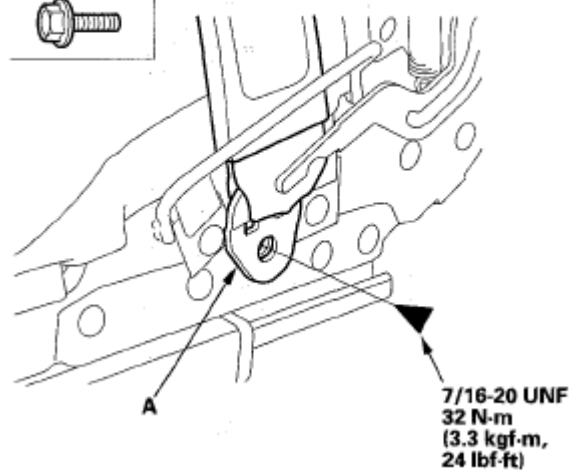
**Fig. 27: Removing Out Center Cover**

Courtesy of AMERICAN HONDA MOTOR CO., INC.

4. Remove the seat belt lower anchor (A).

Fastener Location

▶ : Bolt, 1



**Fig. 28: Identifying Seat Belt Lower Anchor With Torque Specification**

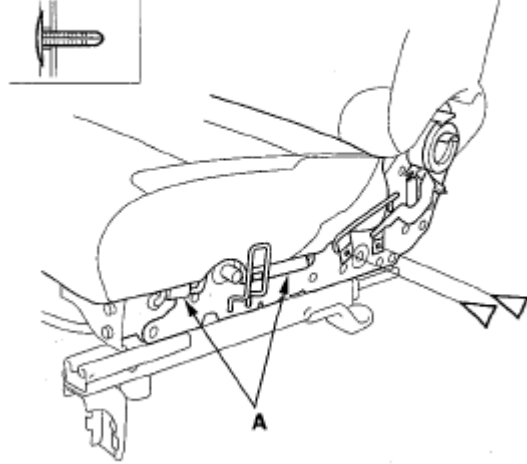
Courtesy of AMERICAN HONDA MOTOR CO., INC.

5. Release the clips and hook(s) (A) from the seat frame.

**Driver's seat**

**Fastener Locations**

▷ : Clip, 2

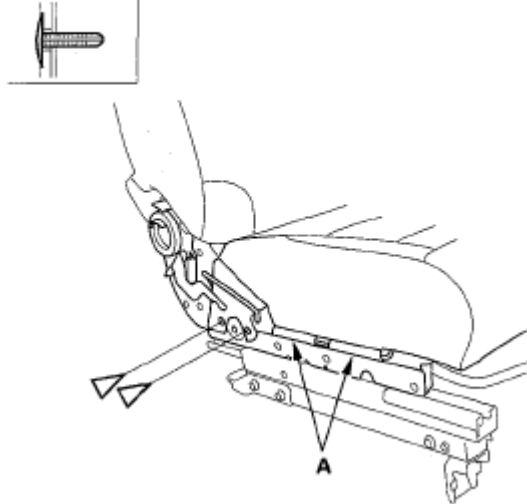


**Fig. 29: Identifying Seat Frame For Driver's Seat Clips And Hooks**  
Courtesy of AMERICAN HONDA MOTOR CO., INC.

**Passenger's seat**

**Fastener Locations**

▷ : Clip, 2



**Fig. 30: Identifying Seat Frame For Passenger's Seat Clips And Hooks**  
Courtesy of AMERICAN HONDA MOTOR CO., INC.

6. Remove the center anchor bolt (A), then remove the seat belt buckle (B).

**Driver's Seat**

## 2007 Honda Element EX

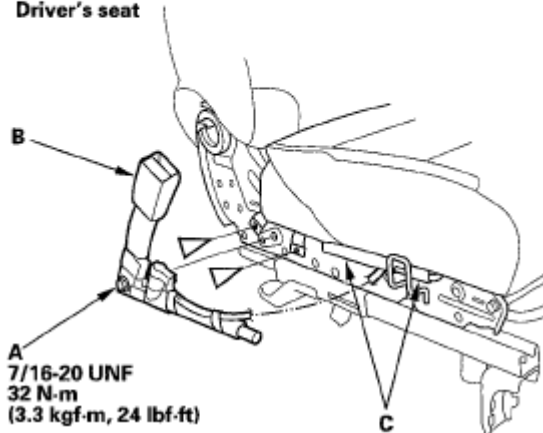
2007-08 ACCESSORIES AND EQUIPMENT Seats - Element

### Fastener Locations

▷ : Clip, 2

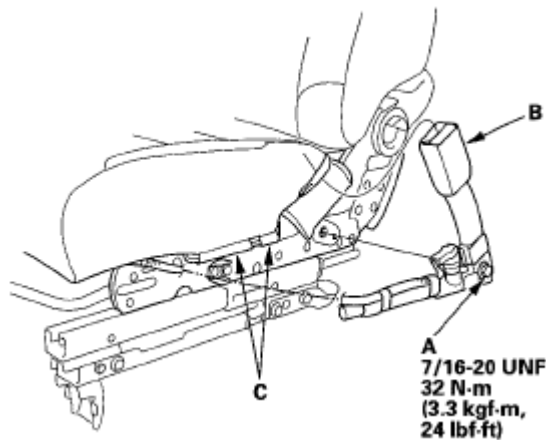


### Driver's seat



**Fig. 31: Identifying Center Anchor Bolt With Torque Specification (Driver's Seat)**  
Courtesy of AMERICAN HONDA MOTOR CO., INC.

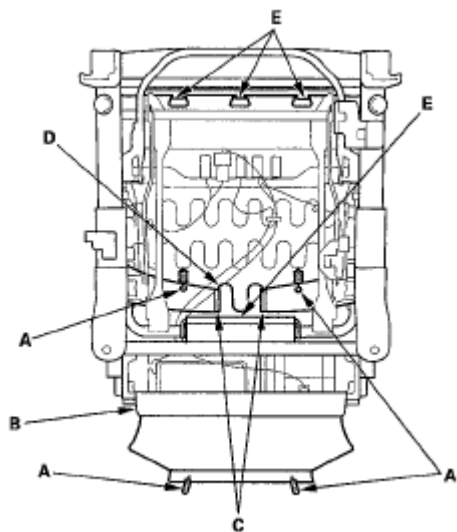
### Passenger's seat



**Fig. 32: Identifying Center Anchor Bolt With Torque Specification (Passenger's Seat)**  
Courtesy of AMERICAN HONDA MOTOR CO., INC.

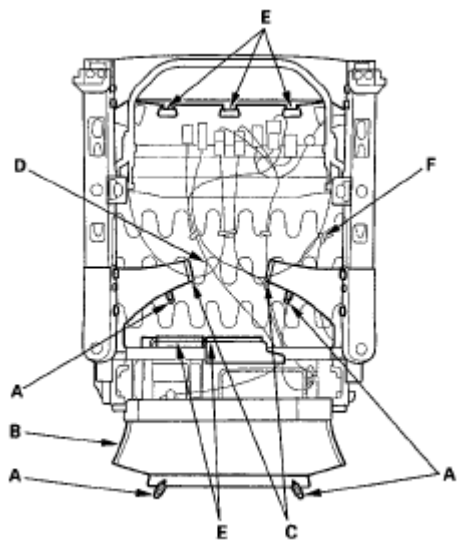
7. Driver's seat: Release the clips.
8. Release the hooks (C) from the seat frame.
9. Release the hook springs (A), pull the seat cushion cover (B).

### Driver's seat



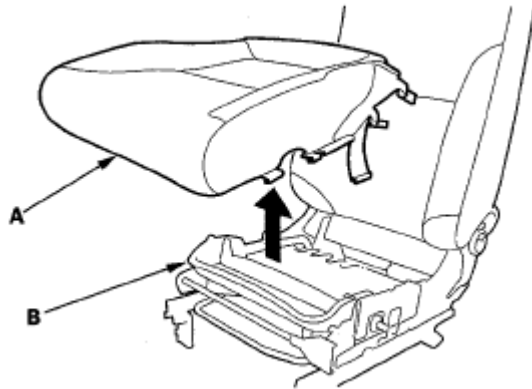
**Fig. 33: Identifying Hook Springs And Seat Cushion Cover (Driver's Seat)**  
 Courtesy of AMERICAN HONDA MOTOR CO., INC.

**Passenger's seat**



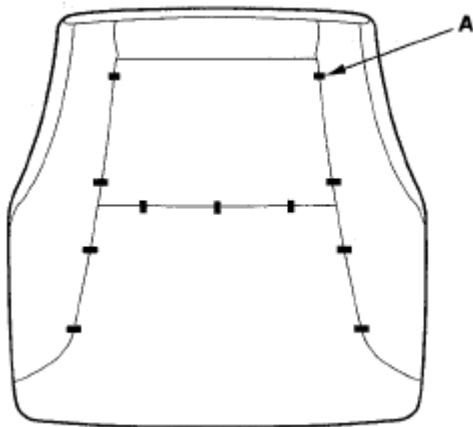
**Fig. 34: Identifying Hook Springs And Seat Cushion Cover (Passenger's Seat)**  
 Courtesy of AMERICAN HONDA MOTOR CO., INC.

10. From under the seat cushion, release the hooks (C) from the seat cushion frame spring (D).
11. Release the hooks (E) from the seat cushion frame.
12. Passenger's seat: Release the clip (F).
13. Remove the seat cushion cover/pad (A) from the seat frame (B).



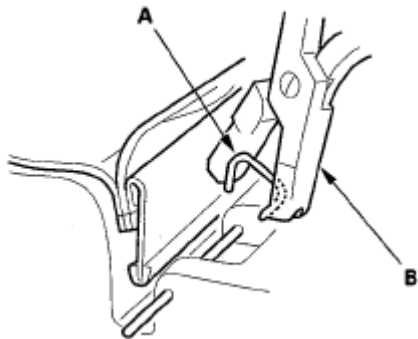
**Fig. 35: Identifying Seat Frame Seat Cushion Cover/Pad**  
Courtesy of AMERICAN HONDA MOTOR CO., INC.

14. Pull back the edge of the seat cushion cover all the way around, and release the clips (A), then remove the seat cushion cover.



**Fig. 36: Identifying Seat Cushion Cover Clips**  
Courtesy of AMERICAN HONDA MOTOR CO., INC.

15. Install the cover in the reverse order of removal, and note these items:
  - To prevent wrinkles when installing a seat cushion cover, make sure the material is stretched evenly over the pad before securing the clips and hooks.
  - Replace any clips you removed with new ones (A). Install them with commercially available upholstery ring pliers (B).



**Fig. 37: Identifying Clips And Upholstery Ring Pliers**  
Courtesy of AMERICAN HONDA MOTOR CO., INC.

## FRONT SEAT ARMREST REPLACEMENT

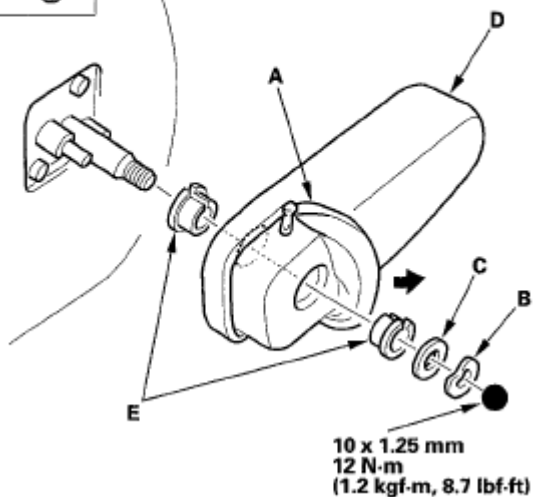
### FOR SOME MODELS

**NOTE:** Take care not to tear the seams or damage the seat covers.

1. Unzip the armrest cover (A), and pull back the armrest cover.

#### Fastener Location

● : Nut, 1

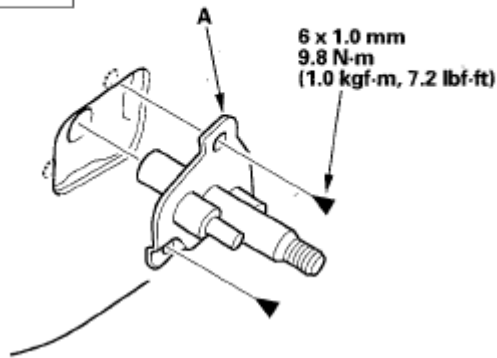
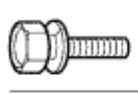


**Fig. 38: Identifying Armrest Cover With Torque Specification**  
Courtesy of AMERICAN HONDA MOTOR CO., INC.

2. Remove the nut, the wave washer (B), and the washer (C), then remove the armrest (D). If necessary, remove the bushings (E) from the armrest.
3. Remove the bolts, then remove the armrest bracket (A).

**Fastener Locations**

▶ : Bolt, 2



**Fig. 39: Identifying Armrest Bracket Bolts With Torque Specification**  
Courtesy of AMERICAN HONDA MOTOR CO., INC.

4. Install the armrest in the reverse order of removal.

## REAR SEAT DISASSEMBLY/REASSEMBLY

### Special Tools Required

KTC trim tool set SOJATP2014 \*

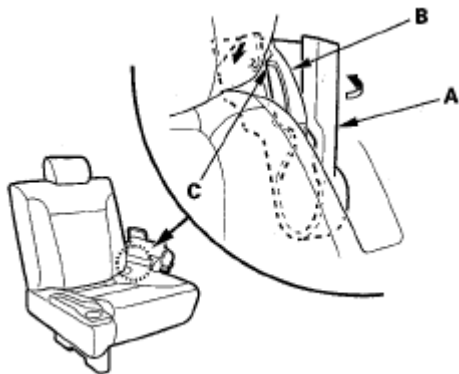
\* Available through the American Honda Tool and Equipment Program; call 888-424-6857

### NOTE:

- Use the appropriate tool from the KTC trim tool set to avoid damage when prying components.
- Take care not to scratch the body or tear the seat covers.
- Put on gloves to protect your hands.

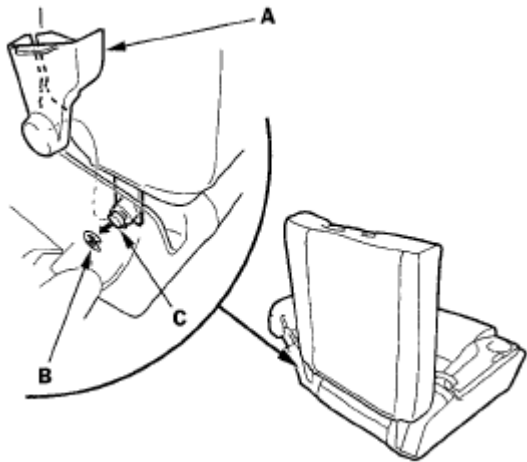
1. Fold the seat-back rearward.
2. Pull the pivot bracket cover (A) away from the pivot bracket (B), and release the hook (C).





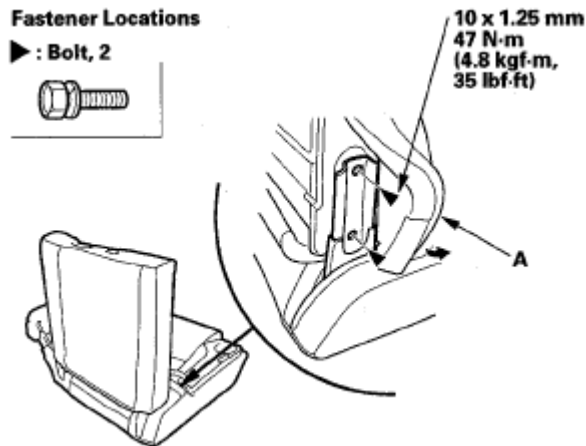
**Fig. 40: Removing Pivot Bracket Cover Away From Pivot Bracket**  
Courtesy of AMERICAN HONDA MOTOR CO., INC.

3. Fold the seat-back forward.
4. Remove the head restraint.
5. Remove the pivot bracket cover (A), and remove the E clip (B) from the center pivot (C).



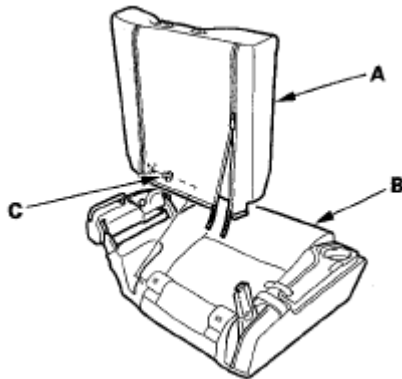
**Fig. 41: Identifying Pivot Bracket Cover And Center Pivot E Clip**  
Courtesy of AMERICAN HONDA MOTOR CO., INC.

6. Release the hook strip, and with seat-back loops, unzip the seat-back cover (see step 3 on **Rear Seat-back Cover Replacement**), then pull back the cover.
7. Pull back the seat-back pad (A), and remove the bolts.



**Fig. 42: Identifying Back Seat-Back Pad Bolts With Torque Specification**  
 Courtesy of AMERICAN HONDA MOTOR CO., INC.

8. Remove the seat-back (A) from the seat cushion (B). If necessary, remove the bushing (C).



**Fig. 43: Identifying Seat-Back From Seat Cushion**  
 Courtesy of AMERICAN HONDA MOTOR CO., INC.

9. Install the seat-back in the reverse order of removal, and note these items:
  - To prevent wrinkles in the seat-back cover, make sure the material is stretched evenly over the pad before securing the hook strips.
  - Replace the bushing and E clip.

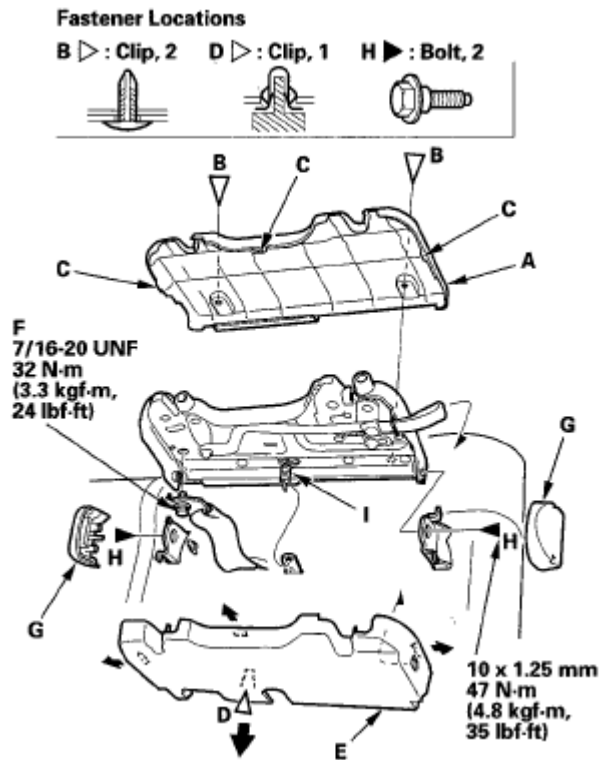
## REAR SEAT SUPPORT REMOVAL/INSTALLATION

1. Remove the seat support (A).
  - 1 Release the clips (B).
  - 2 Release the hooks (C), and detach the clip (D), then remove the inner support cover (E).
  - 3 Remove the rear seat belt buckle center anchor bolt (F).
  - 4 Remove the support bracket covers (G) from both sides.

## 2007 Honda Element EX

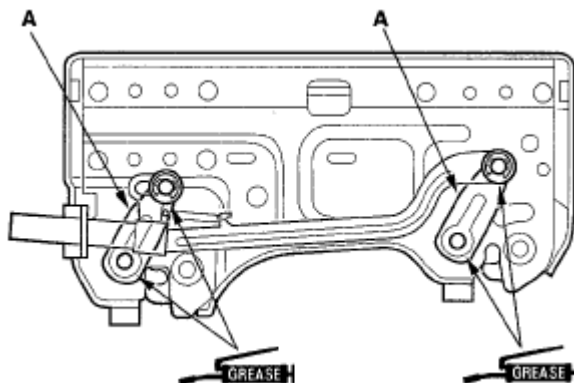
2007-08 ACCESSORIES AND EQUIPMENT Seats - Element

- 5 Remove the bolts (H).
- 6 Release the support spring (I).



**Fig. 44: Identifying Seat Support With Torque Specifications**  
Courtesy of AMERICAN HONDA MOTOR CO., INC.

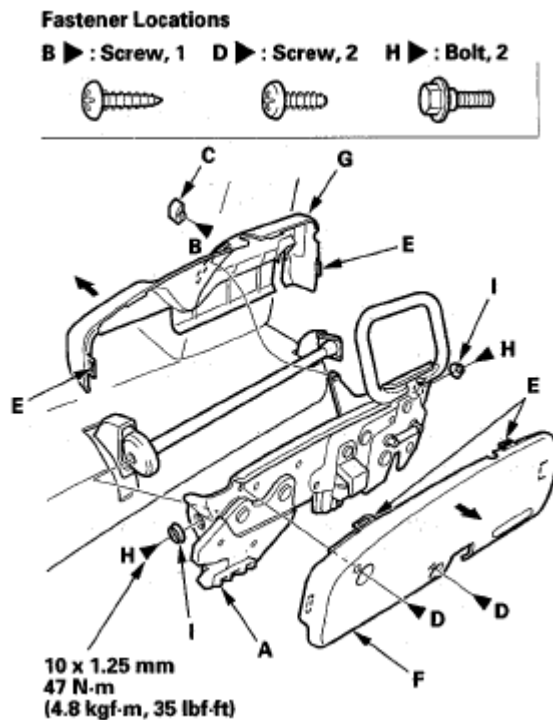
2. Install the seat support in the reverse order of removal, and note these items:
  - Apply multipurpose grease to the moving portions of the link (A) as indicated by the arrows.
  - Apply liquid thread lock to the center anchor bolt before reinstallation.
  - Make sure there are no twists or kinks in the seat belt buckle before reinstallation.
  - When installing the inner support cover, slip the strap through the hole in the cover.



**Fig. 45: Applying Multipurpose Grease To Moving Portions Of Link**  
 Courtesy of AMERICAN HONDA MOTOR CO., INC.

## REAR SEAT HINGE LOCK REMOVAL/INSTALLATION

1. Remove the rear seat.
2. Remove the hinge lock (A).
  - 1 Remove the screw (B), then remove the knob (C).
  - 2 Remove the screws (D), and detach the hooks (E), then remove the outer hinge lock cover (F) and inner hinge lock cover (G).
  - 3 Remove the bolts (H) and wave washers (I).



**Fig. 46: Identifying Hinge Lock With Torque Specification**  
 Courtesy of AMERICAN HONDA MOTOR CO., INC.

3. Install the hinge lock in the reverse order of removal.

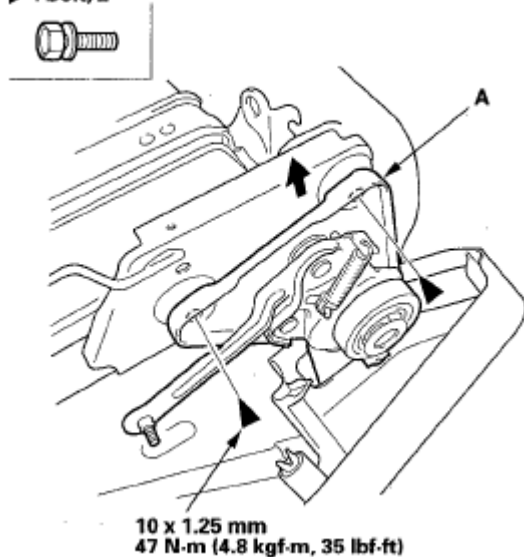
## REAR SEAT RECLINE ADJUSTER REMOVAL/INSTALLATION

1. Remove the rear seat.
2. Remove these items from the rear seat:
  - Rear seat-back cover (see **REAR SEAT-BACK COVER REPLACEMENT** )
  - Rear seat support (see **REAR SEAT SUPPORT REMOVAL/INSTALLATION** )

- Rear seat hinge lock (see **REAR SEAT HINGE LOCK REMOVAL/INSTALLATION** )
  - (Latch Child Seat Anchor) cover
3. From under the seat cushion, release the hooks, and pull back the seat cushion cover (see step 3 on **Rear Seat-back Cover Replacement** ).
  4. Release the hooks from the seat cushion frame (see step 4 on **Rear Seat Cushion Cover Replacement** ).
  5. Remove the hook from the hook strap, and pull the hook strap out through the slit in the seat cushion cover (see step 5 on **Rear Seat Cushion Cover Replacement** ).
  6. Remove the screw, and pull the strap out (see step 6 on **Rear Seat Cushion Cover Replacement** ).
  7. Release the hooks securing the seat cushion cover from the recline cover (see step 8 on **Rear Seat Cushion Cover Replacement** ).
  8. Pull back the seat cushion cover. Remove the screw, and pull the recline cover down to release the hook (see step 9 on **Rear Seat Cushion Cover Replacement** ).
  9. Remove the nut, then remove the recline strap from the recline adjuster lever (see step 10 on **Rear Seat Cushion Cover Replacement** ).
  10. Remove the bolts, then remove the recline adjuster (A).

**Fastener Locations**

▶ : Bolt, 2



**Fig. 47: Identifying Recline Adjuster With Torque Specification**  
Courtesy of AMERICAN HONDA MOTOR CO., INC.

11. Install the recline adjuster in the reverse order of removal, and note these items:
  - Apply multipurpose grease to the moving portions of the recline adjuster.
  - To prevent wrinkles when installing a seat-back cover, make sure the material is stretched evenly over the pad before securing the hooks.

## REAR SEAT-BACK COVER REPLACEMENT

### Special Tools Required

KTC trim tool set SOJATP2014 \*

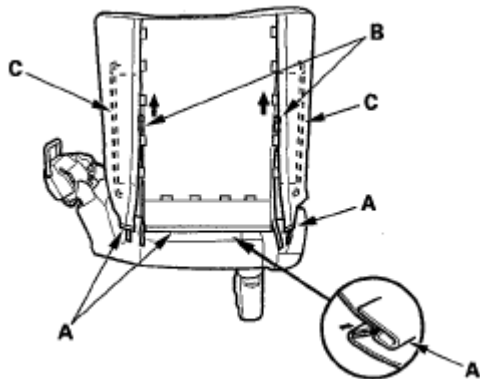
\* Available through the American Honda Tool and Equipment Program; call 888-424-6857

#### NOTE:

- Use the appropriate tool from the KTC trim tool set to avoid damage when prying components.
- Take care not to scratch the body or tear the seat covers.
- Put on gloves to protect your hands.

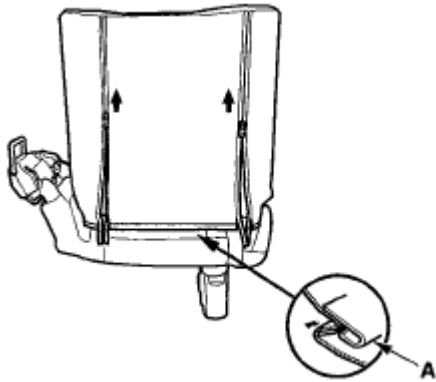
1. Remove the head restraint.
2. Fold the seat-back forward.
3. Release the hooks (A), and with seat-back loops, unzip the seat-back cover (B) and release the hooks (C). It is not necessary to remove a seat-back bungee cord from the loops if the cover will be reinstalled.

#### With seat-back loops



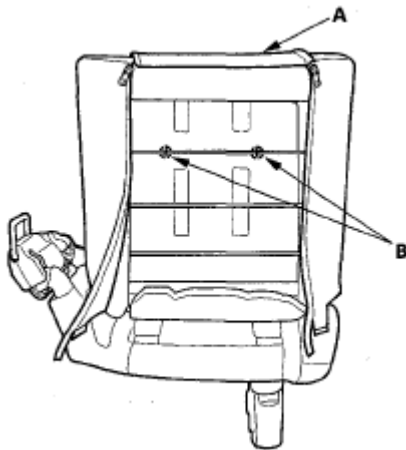
**Fig. 48: Identifying Seat-Back Cover Hooks With Seat-Back Loops**  
Courtesy of AMERICAN HONDA MOTOR CO., INC.

#### Without seat-back loops



**Fig. 49: Identifying Seat-Back Cover Hooks Without Seat-Back Loops**  
Courtesy of AMERICAN HONDA MOTOR CO., INC.

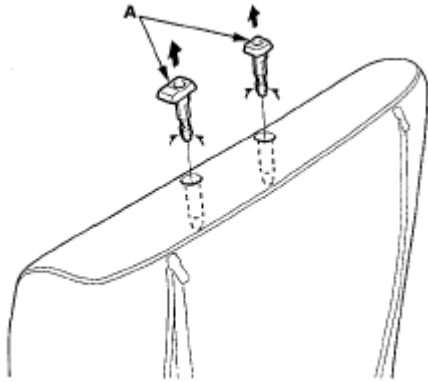
4. Pull back the seat-back cover (A), and release the inside springs (B).



**Fig. 50: Identifying Inside Springs**  
Courtesy of AMERICAN HONDA MOTOR CO., INC.

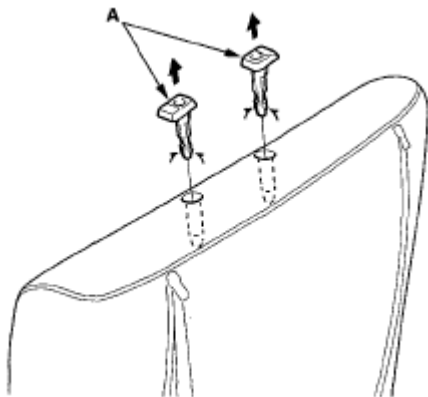
5. Pull out the head restraint guides (A) while pinching the end of the guides, and remove them.

'07 model



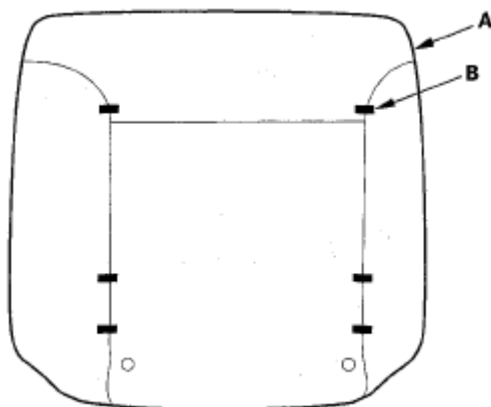
**Fig. 51: Identifying Head Restraint Guides (For '07 Model)**  
Courtesy of AMERICAN HONDA MOTOR CO., INC.

'08 model



**Fig. 52: Identifying Head Restraint Guides (For '08 Model)**  
Courtesy of AMERICAN HONDA MOTOR CO., INC.

6. Pull back the edge of the seat-back cover (A) all the way around, then release all of the clips (B).

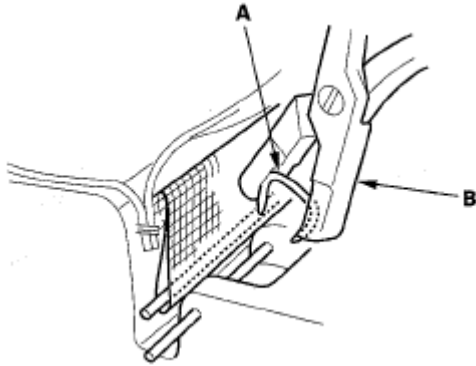


**Fig. 53: Pulling Back Edge Of Seat-Back Cover**



Courtesy of AMERICAN HONDA MOTOR CO., INC.

7. Remove the seat-back cover.
8. Install the seat-back cover in the reverse order of removal, and note these items:
  - To prevent wrinkles when installing a seat-back cover, make sure the material is stretched evenly over the pad before securing the hook, inside spring, and clips.
  - Replace any clips you removed with new ones (A). Install them with commercially available upholstery ring pliers (B).



**Fig. 54: Identifying Upholstery Ring Pliers And Clips**  
Courtesy of AMERICAN HONDA MOTOR CO., INC.

## REAR SEAT CUSHION COVER REPLACEMENT

### Special Tools Required

KTC trim tool set SOJATP2014 \*

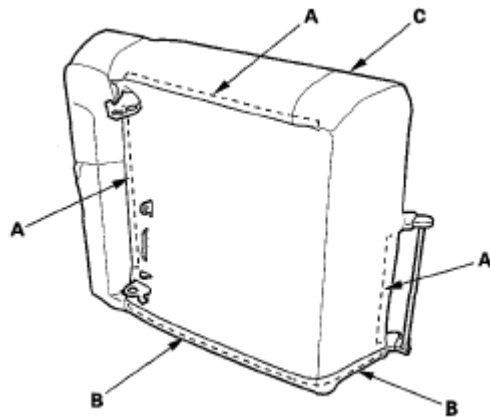
\* Available through the American Honda Tool and Equipment Program; call 888-424-6857

### NOTE:

- Use the appropriate tool from the KTC trim tool set to avoid damage when prying components.
- Take care not to scratch the body or tear the seat covers.
- Put on gloves to protect your hands.

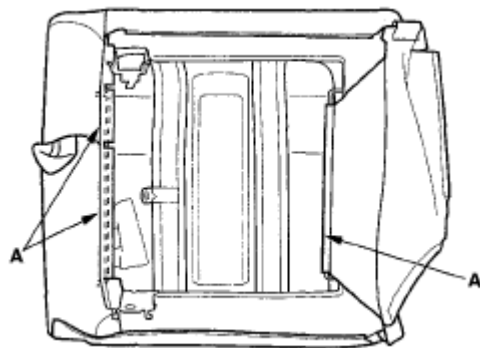
1. Remove the rear seat.
2. Remove these items from the rear seat:
  - See **REAR SEAT-BACK COVER REPLACEMENT**
  - See **REAR SEAT SUPPORT REMOVAL/INSTALLATION**
  - See **REAR SEAT HINGE LOCK REMOVAL/INSTALLATION**
  - (Latch Child Seat Anchor) cover, both sides
3. From under the seat cushion, release the hooks (A) and Velcro fastener (B), and pull back the seat

cushion cover (C).



**Fig. 55: Identifying Seat Cushion Cover And Hooks**  
Courtesy of AMERICAN HONDA MOTOR CO., INC.

4. Release the hooks (A) from the seat cushion frame.

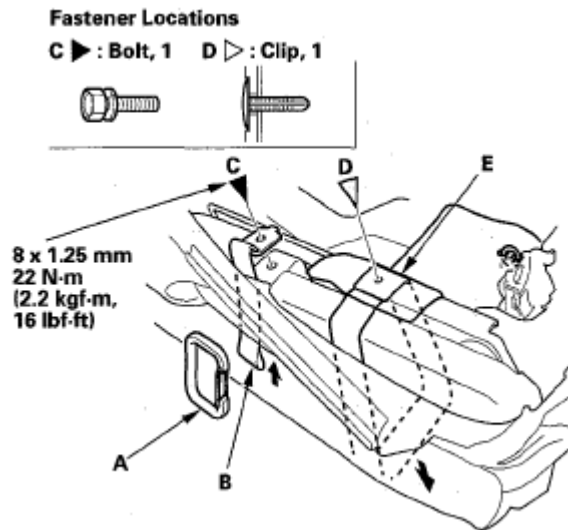


**Fig. 56: Identifying Seat Cushion Frame Hooks**  
Courtesy of AMERICAN HONDA MOTOR CO., INC.

5. Remove the hook (A) from the hook strap (B), and pull the hook strap out through the slit in the seat cushion cover. If necessary, remove the bolt (C), then remove the hook strap.

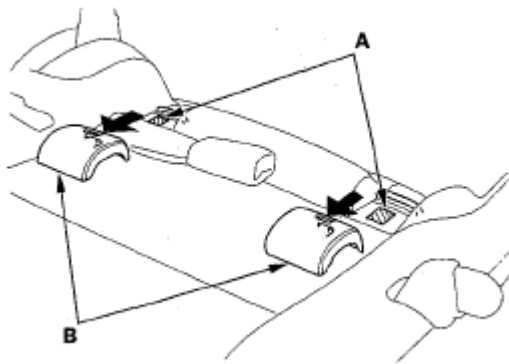
## 2007 Honda Element EX

2007-08 ACCESSORIES AND EQUIPMENT Seats - Element



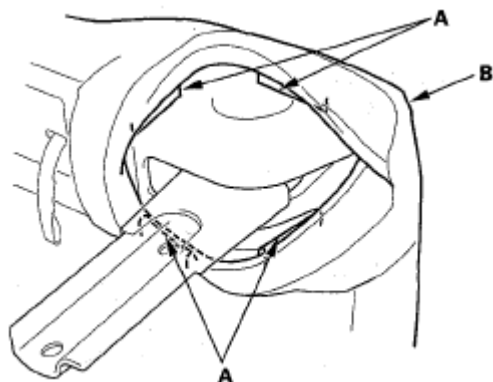
**Fig. 57: Identifying Hook Strap Bolt With Torque Specification**  
Courtesy of AMERICAN HONDA MOTOR CO., INC.

6. Remove the clip (D), and pull the strap (E) out.
7. Release the Velcro fastener (A), and remove the cover (B).



**Fig. 58: Identifying Velcro Fastener And Cover**  
Courtesy of AMERICAN HONDA MOTOR CO., INC.

8. Release the hooks (A) securing the seat cushion cover (B) from the recline cover.

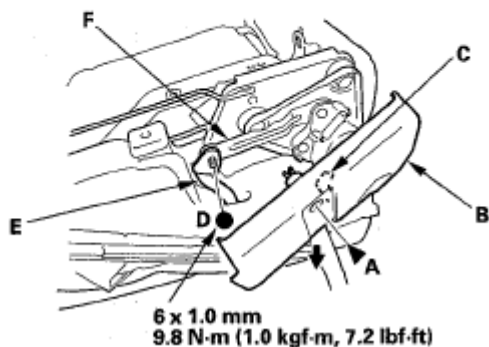
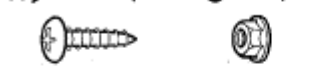


**Fig. 59: Releasing Hooks Securing Seat Cushion Cover From Recline Cover**  
 Courtesy of AMERICAN HONDA MOTOR CO., INC.

9. Pull back the seat cushion cover. Remove the screw (A), and pull the recline cover (B) down to release the hook (C).
10. Remove the nut (D), then remove the recline strap (E) from the recline adjuster lever (F).

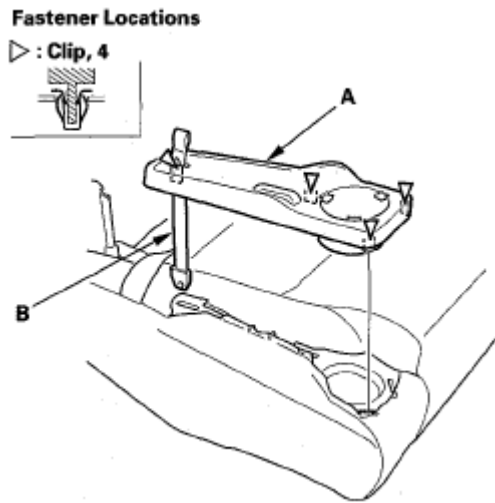
**Fastener Locations**

A ► : Screw, 1    D ● : Nut, 1



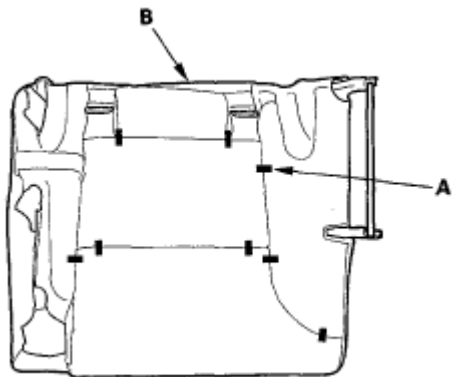
**Fig. 60: Identifying Recline Strap Nut With Torque Specification**  
 Courtesy of AMERICAN HONDA MOTOR CO., INC.

11. Pull up on the center tray (A) to detach the clips, then remove the tray with the recline strap (B).



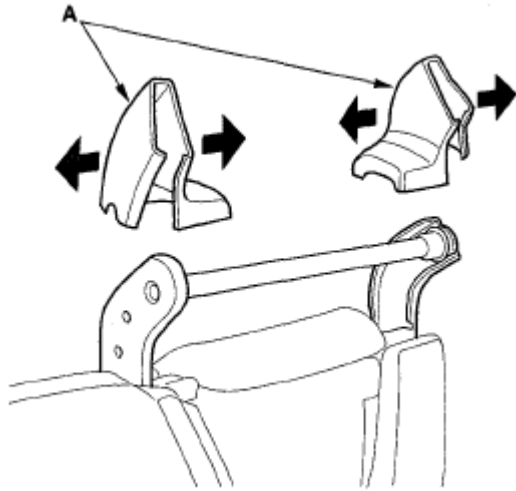
**Fig. 61: Identifying Center Tray Clips**  
Courtesy of AMERICAN HONDA MOTOR CO., INC.

12. Pull back the edge of the seat cushion cover all the way around, and release the clips (A), then remove the seat cushion cover (B).



**Fig. 62: Identifying Seat Cushion Cover And Clips**  
Courtesy of AMERICAN HONDA MOTOR CO., INC.

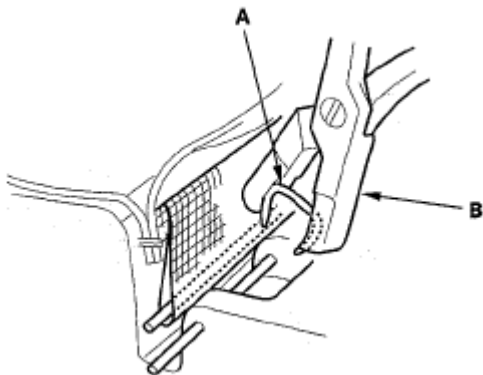
13. If necessary, remove the hinge covers (A).



**Fig. 63: Identifying Hinge Covers**

Courtesy of AMERICAN HONDA MOTOR CO., INC.

14. Install the seat cushion cover in the reverse order of removal, and note these items:
  - To prevent wrinkles when installing a seat cushion cover, make sure the material is stretched evenly over the pad before securing the clips and hooks.
  - Replace any clips you removed with new ones (A). Install them with commercially available upholstery ring pliers (B).



**Fig. 64: Identifying Upholstery Ring Pliers And Clips**

Courtesy of AMERICAN HONDA MOTOR CO., INC.

## REAR SEAT STRIKER REPLACEMENT

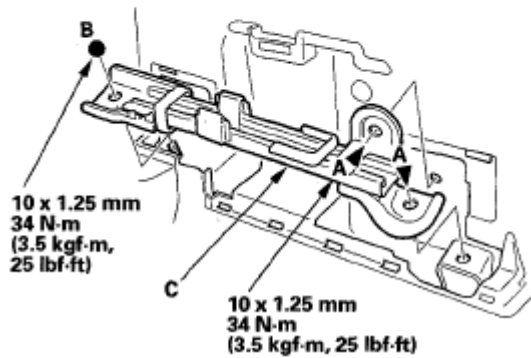
1. Remove the rear seat.
2. Remove the bolts (A) and nut (B), then remove the seat striker (C).

## 2007 Honda Element EX

2007-08 ACCESSORIES AND EQUIPMENT Seats - Element

### Fastener Locations

A ► : Bolt, 2    B ● : Nut, 1



**Fig. 65: Removing Seat Striker Bolts And Nut With Torque Specification**  
Courtesy of AMERICAN HONDA MOTOR CO., INC.

3. Install the seat striker in the reverse order of removal.