

2007-08 ACCESSORIES AND EQUIPMENT

Tailgate - Element

TAILGATE ADJUSTMENT

1. Loosen each bolt slightly.
2. Adjust the tailgate (A) alignment in the following sequence:
 - Adjust the tailgate hinges (B) right and left, as well as up and down, using the elongated holes.
 - Adjust the fit between the tailgate and tailgate opening by moving both strikers (C).

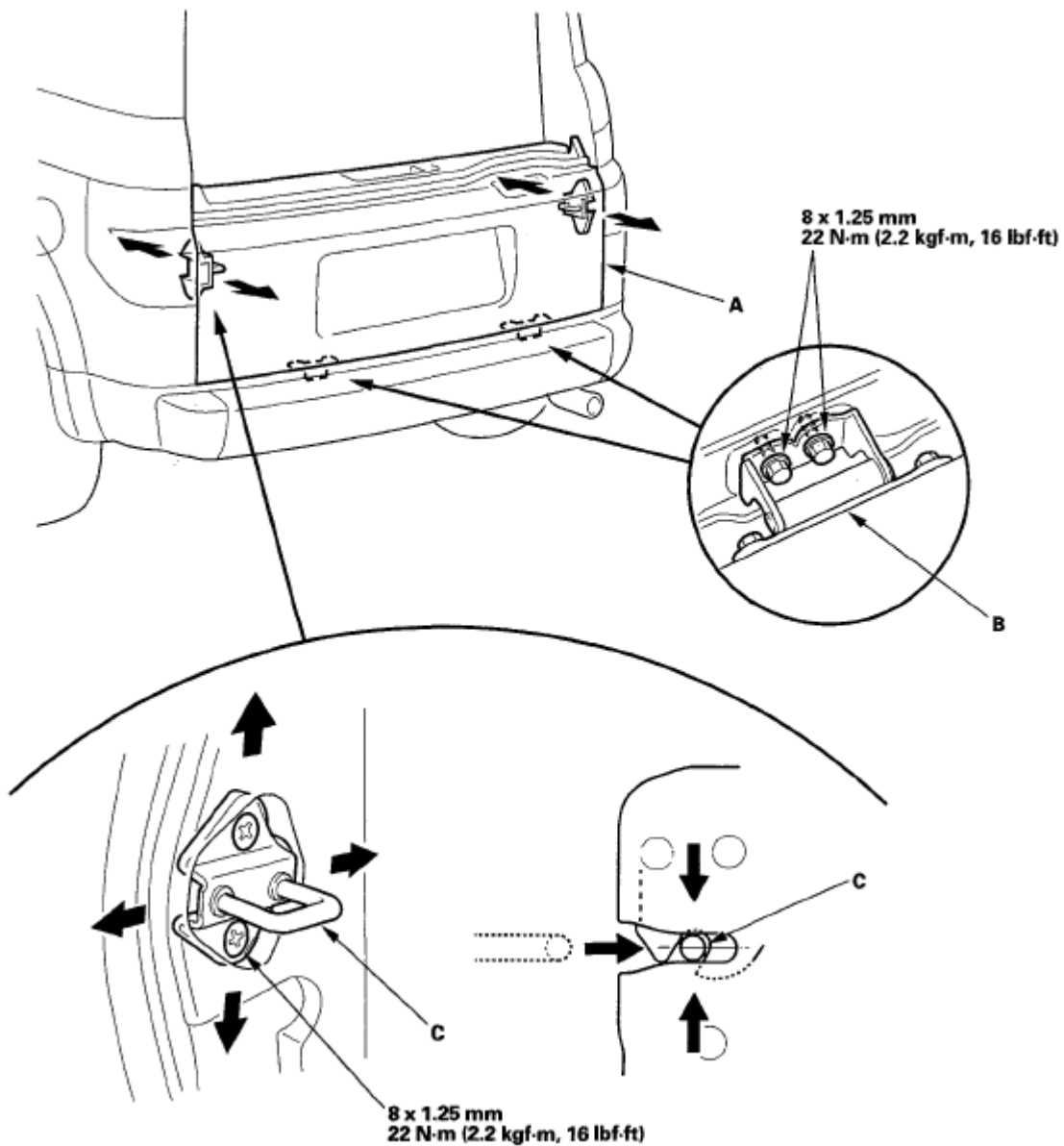


Fig. 1: Identifying Tailgate Adjustment

3. Tighten each bolt securely.
4. Check that the tailgate opens properly and locks securely.
5. Check that the tailgate weatherstrip contacts the hatch weatherstrip properly on each side.
6. Apply touch-up paint to the hinge mounting bolts and around the hinges.
7. Apply multipurpose grease to the pivot portion of the tailgate hinges (A) as indicated by the arrows.

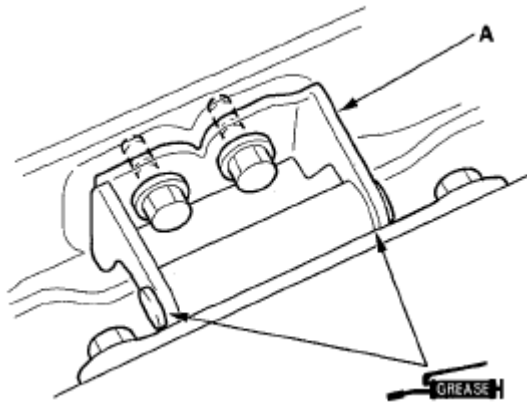


Fig. 2: Applying Multipurpose Grease To Pivot Portion Of Tailgate Hinges

TAILGATE SUPPORT CABLE REPLACEMENT

1. Close the tailgate half-way, and hold it.
2. Remove the bolts from the body and tailgate, then remove the tailgate support cable (A).

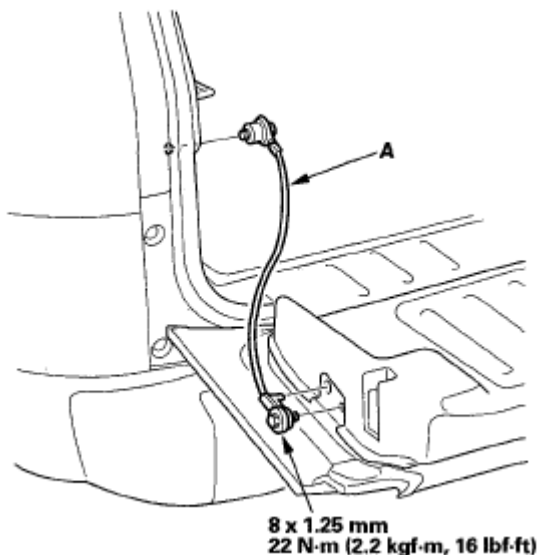


Fig. 3: Identifying Tailgate Support Cable Replacement

3. Install the support cable in the reverse order of removal.

TAILGATE WEATHERSTRIP REPLACEMENT

1. Open the tailgate half-way, and hold it.
2. On both sides of the tailgate weatherstrip (A), detach the clips with a clip remover, and release the double-sided adhesive tape (B).

Fastener Locations

▷ : Clip, 2

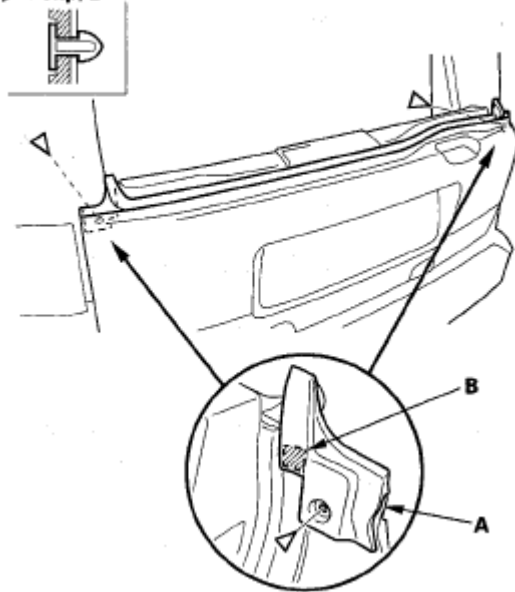


Fig. 4: Identifying Tailgate Weatherstrip Replacement

3. Remove the tailgate weatherstrip by pulling out on it.
4. Scrape off the remaining double-sided adhesive tape from the weatherstrip and tailgate, and clean the weatherstrip and tailgate surface with alcohol. Attach the new double-sided adhesive tape (3M 4213, or equivalent) to the weatherstrip.
5. Align the weatherstrip with both edges of the tailgate, and install the weatherstrip along the edge of the tailgate. Make sure there are no wrinkles in the weatherstrip.
6. Install the clips in both sides.
7. Check for water leaks.