

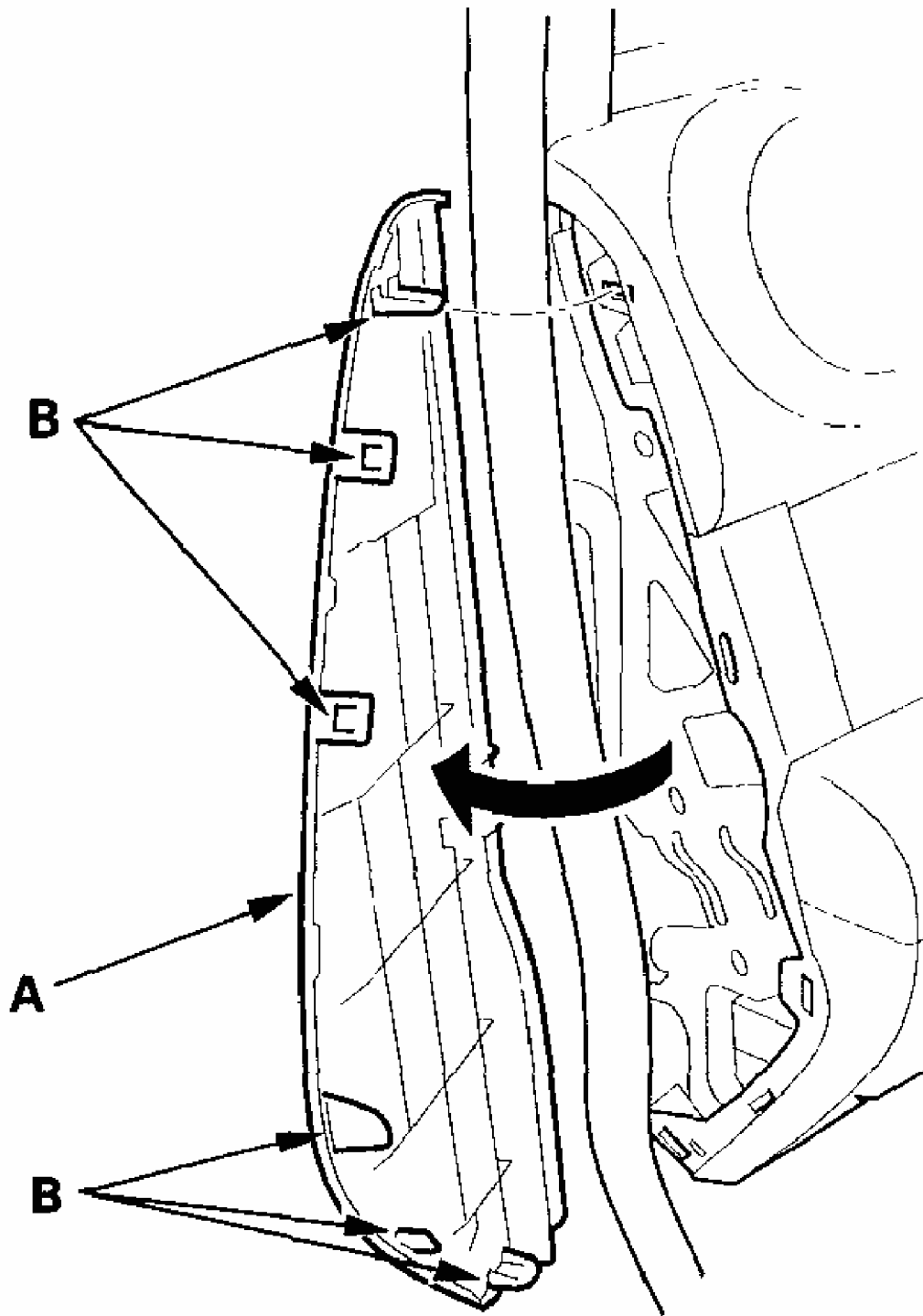
2003-06 ACCESSORIES & EQUIPMENT

Dashboard - Element

DRIVER'S DASHBOARD PANEL REMOVAL/INSTALLATION

NOTE: Take care not to scratch the dashboard and related parts.

1. Open the driver's door, and gently pull out on the front of the dashboard side lid (A) to release the hooks (B), then remove the lid.



G03679407

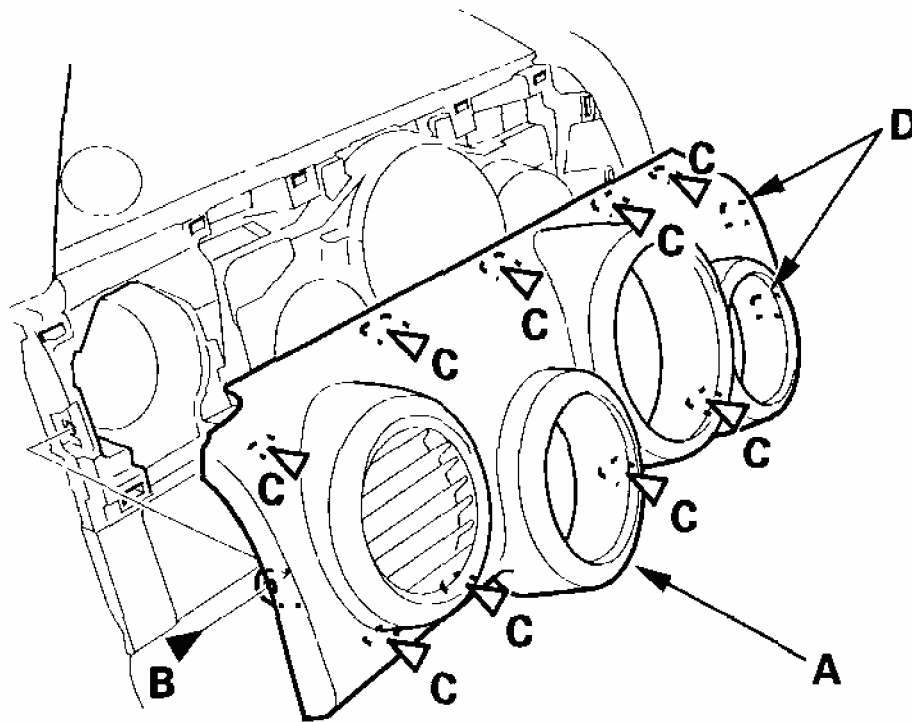
Fig. 1: Removing Dashboard Side Lid

Courtesy of AMERICAN HONDA MOTOR CO., INC.

2. Tilt the steering column down.
3. Remove the driver's dashboard panel (A).
 - 1 Open the driver's door, and remove the screw (B).
 - 2 Gently pull out the panel along the bottom to detach the clips (C).
 - 3 Gently pull out the panel along the top to detach the clips.
 - 4 Gently release the hooks (D) on the inside edge of the panel.

Fastener Locations

B ▶ : Screw, 1 **C ▶ : Clip, 9**



G03679408

Fig. 2: Removing Driver's Dashboard Panel

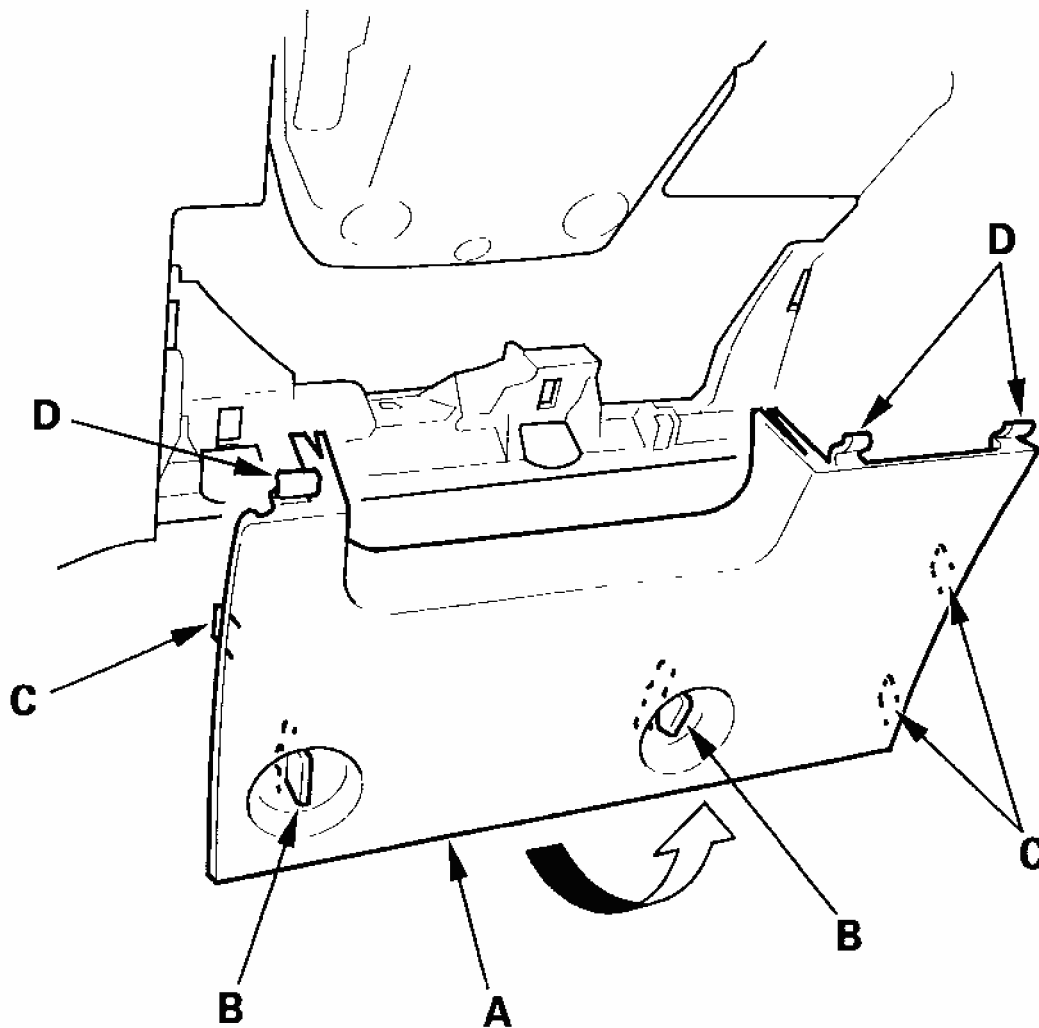
Courtesy of AMERICAN HONDA MOTOR CO., INC.

4. Install the panel in the reverse order of removal, and note these items:
 - Replace any damaged clips.
 - Push the clips and hooks into place securely.

DRIVER'S DASHBOARD LOWER COVER REMOVAL/INSTALLATION

NOTE: Take care not to scratch the dashboard and related parts.

1. Remove the driver's dashboard lower cover (A).
 - 1 Turn the lock knobs (B) 90°.
 - 2 Gently pull out on the bottom edge to release the side hooks (C).
 - 3 Release the upper hooks (D).



G03679409

Fig. 3: Removing Driver's Dashboard Lower Cover
Courtesy of AMERICAN HONDA MOTOR CO., INC.

2. Install the cover in the reverse order of removal, and push the side hooks into place securely.

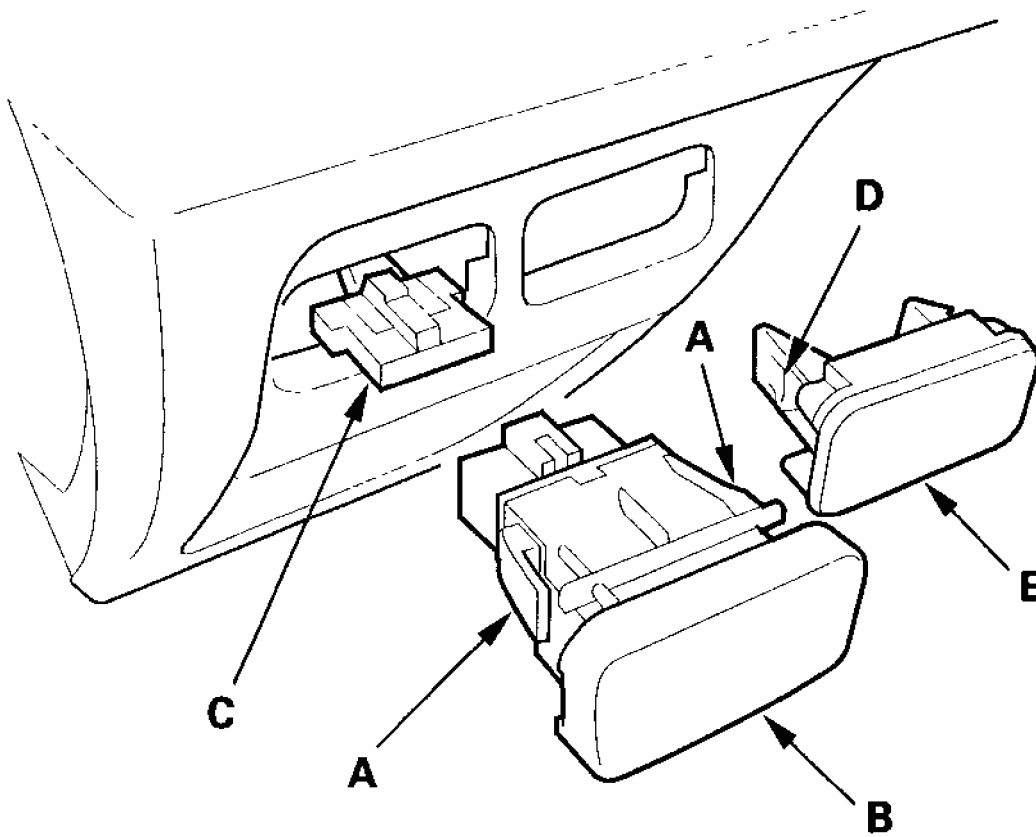
DRIVER'S POCKET REMOVAL/INSTALLATION

NOTE:

- Put on gloves to protect your hands.
- Take care not to scratch the dashboard and related parts.

1. Reach under the dashboard, and push on lock tabs (A) to release the cruise control main

switch (B), then remove the switch and disconnect the connector (C).



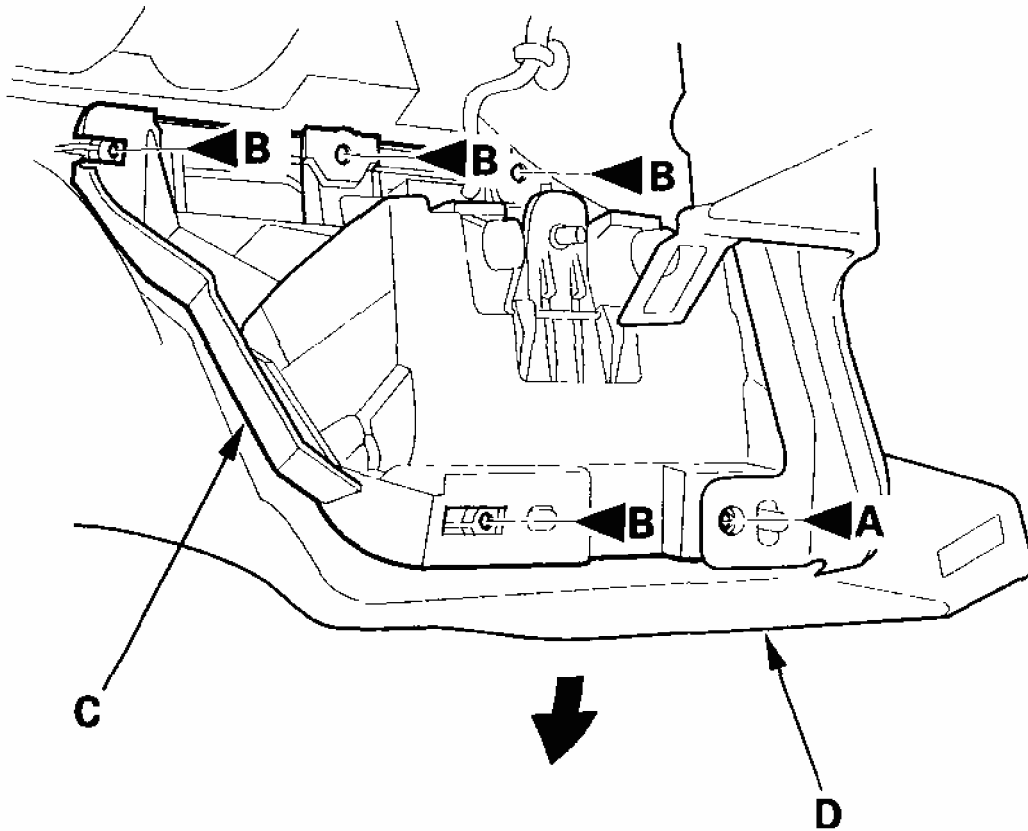
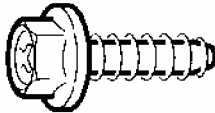
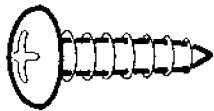
G03679410

Fig. 4: Disconnecting Connector By Releasing Cruise Control Main Switch
Courtesy of AMERICAN HONDA MOTOR CO., INC.

2. Reach through the cruise control switch hole and push on lock tab (D) and remove the switch lid (E).
3. From under the dash, remove the screws (A, B) securing the driver's pocket (C).

Fastener Locations

A ▶ : Screw, 1 **B ▶ : Screw, 4**



G03679411

Fig. 5: Removing Screws From Under Dashboard
Courtesy of AMERICAN HONDA MOTOR CO., INC.

4. While pulling out on the bottom edge of the dashboard (D), remove the pocket.
5. Install the pocket in the reverse order of removal, and make sure the switch connector is plugged in properly.

DRIVER'S VENT REMOVAL/INSTALLATION

Special Tools Required

KTC trim tool set SOJATP2014 *

* Available through the American Honda Tool and Equipment Program; call 888-424-6857

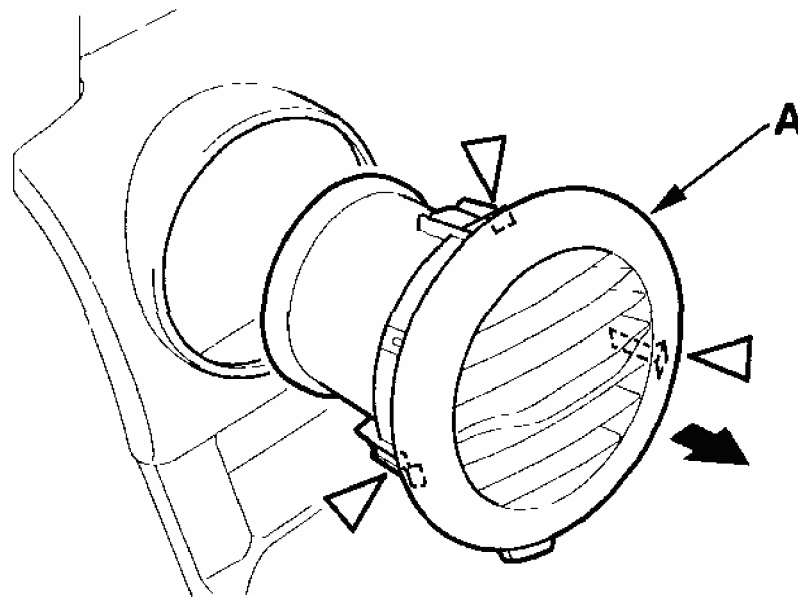
NOTE:

- Use the appropriate tool from the KTC trim tool set to avoid damage when prying components.
- The passenger's vent is similar.

1. Apply protective tape around the related parts to prevent damage. Carefully insert the appropriate tool from the KTC trim tool set next to the clips, and detach the clips by prying on the driver's vent (A). Take care not to scratch the dashboard and related parts.

Fastener Locations

▷ : Clip, 3



G03679412

Fig. 6: Pulling Driver's Vent
Courtesy of AMERICAN HONDA MOTOR CO., INC.

2. Pull out on the driver's vent, then remove it.
3. Install the driver's vent by pushing the clips into place securely.

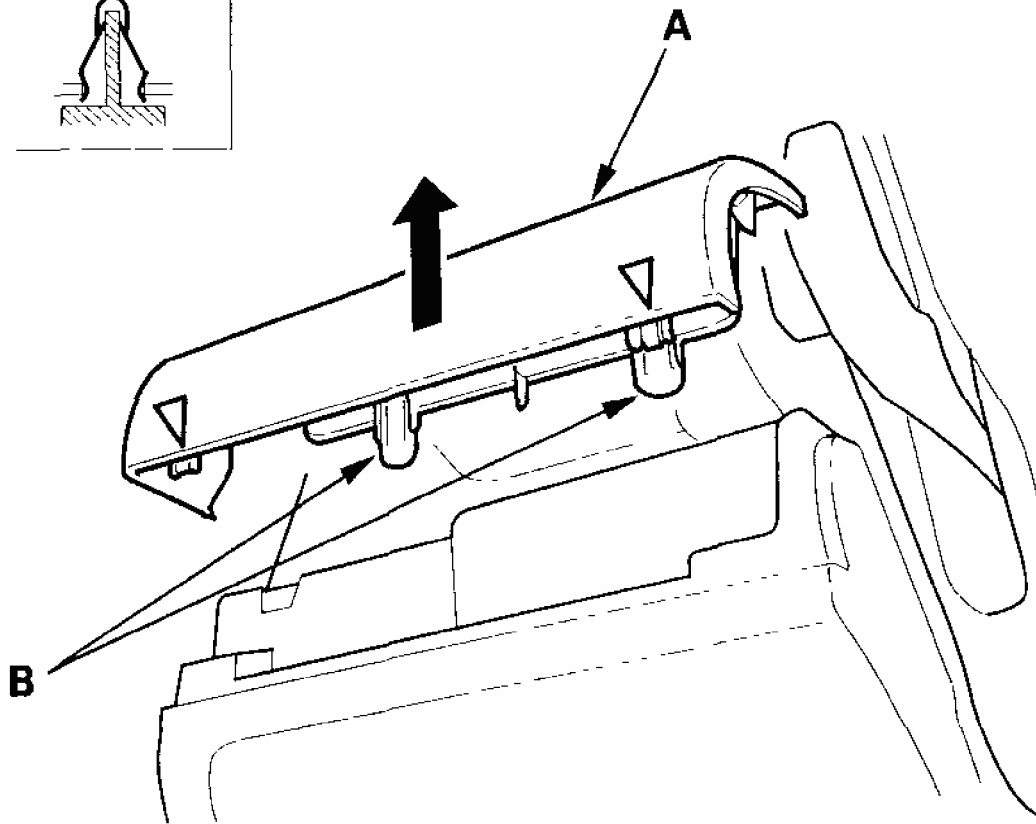
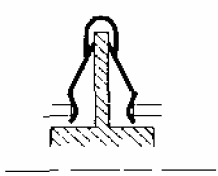
DRIVER'S OUTER DASHBOARD TRIM REMOVAL/INSTALLATION

NOTE: Take care not to scratch the dashboard and related parts.

1. Pull out on the driver's outer dashboard trim (A) to release the clips and hooks (B) from the dashboard.

Fastener Locations

▷ : Clip, 2



G03679413

Fig. 7: Pulling Driver's Outer Dashboard Trim
Courtesy of AMERICAN HONDA MOTOR CO., INC.

2. Install the dashboard trim in the reverse order of removal, and push the clip and hook portions into place securely.

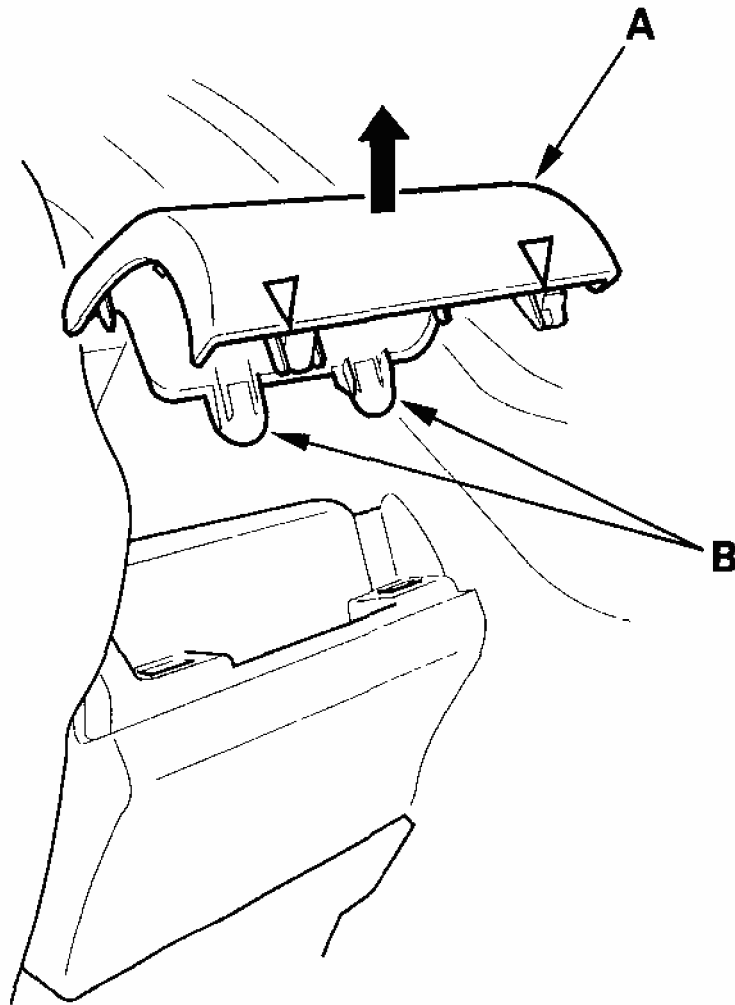
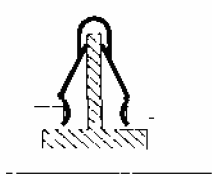
DRIVER'S INNER DASHBOARD TRIM REMOVAL/INSTALLATION

NOTE: Take care not to scratch the dashboard and related parts.

1. Pull out on the driver's inner dashboard trim (A) to release the clips and hooks (B) from the dashboard.

Fastener Locations

▷ : Clip, 2



G03679414

Fig. 8: Pulling Driver's Inner Dashboard Trim
Courtesy of AMERICAN HONDA MOTOR CO., INC.

2. Install the dashboard trim in the reverse order of removal, and push the clip and hook portions into place securely.

CENTER LOWER COVER REMOVAL/INSTALLATION

Special Tools Required

KTC trim tool set SOJATP2014 *

* Available through the American Honda Tool and Equipment Program; call 888-424-6857

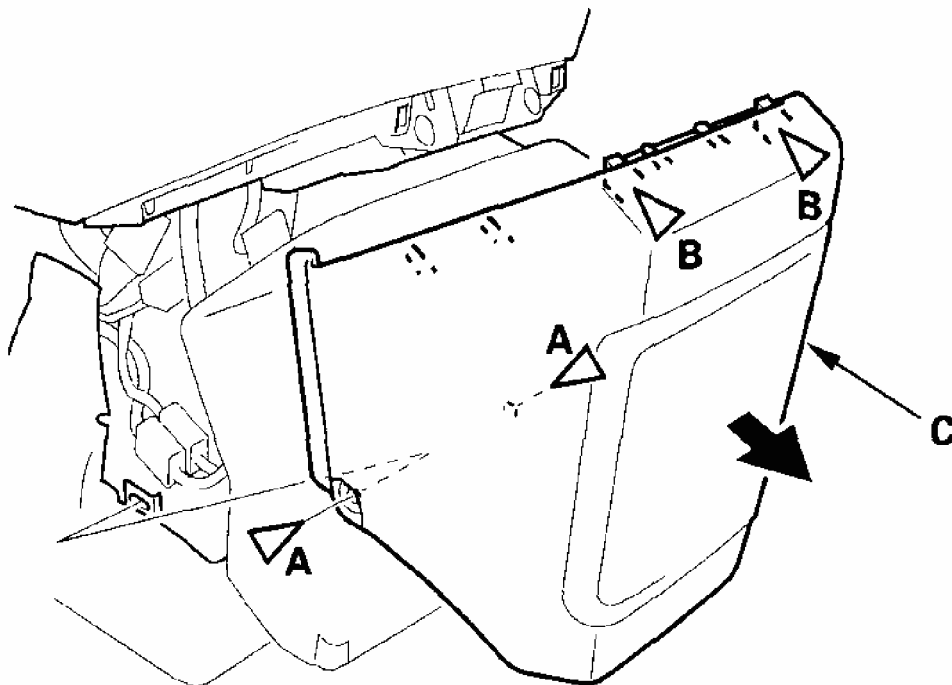
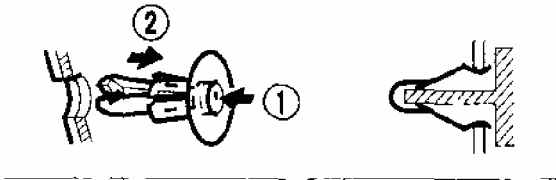
NOTE:

- Use the appropriate tool from the KTC trim tool set to avoid damage when prying components.
- Take care not to scratch the dashboard and related parts.

1. Remove the clips (A) and detach the clips (B) then remove the center rear cover (C).

Fastener Locations

A ▷ : Clip, 2 B ▷ : Clip, 2



G03679415

Fig. 9: Removing Center Rear Cover

Courtesy of AMERICAN HONDA MOTOR CO., INC.

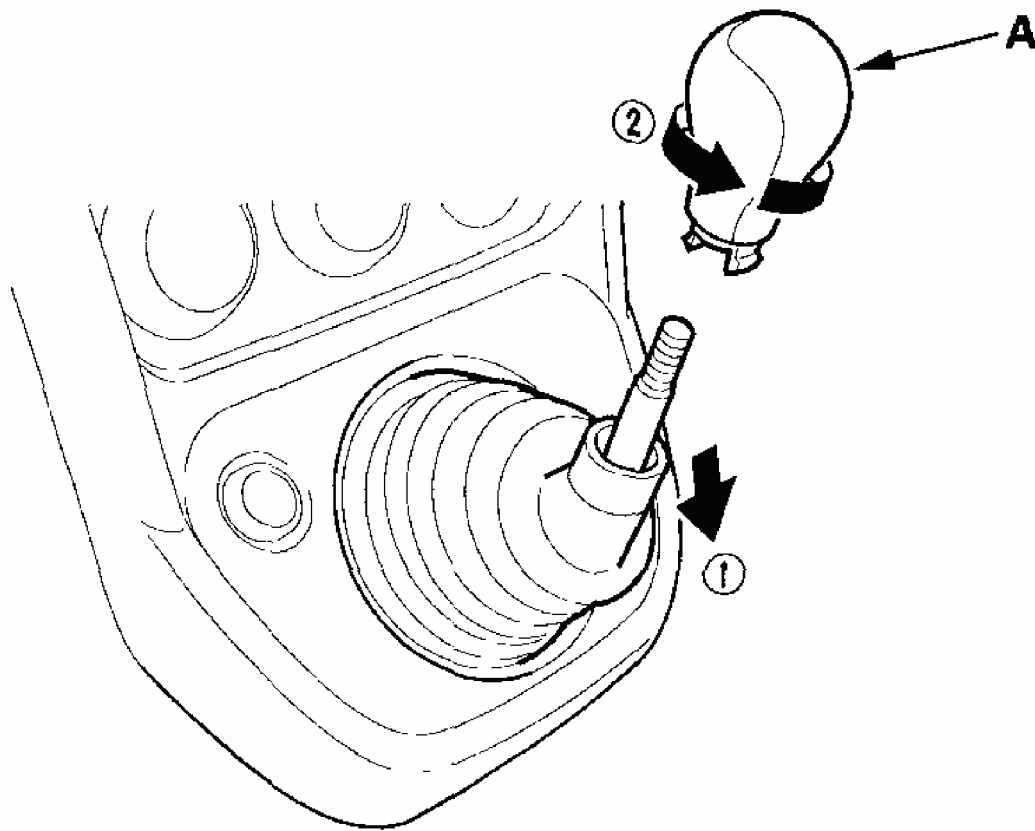
2. Install the cover the reverse order of removal, and note these items:
 - Check for damaged or stress-whitened clips, and replace them with new ones.
 - Push the clips into place securely.

SHIFT LEVER TRIM REMOVAL/INSTALLATION

NOTE:

- Put on gloves to protect your hands.
- Do not pry the panel surface with a flat-tip screwdriver, to prevent damage.
- Take care not to scratch the dashboard and related parts.

1. Remove these items:
 - Center lower cover (see **CENTER LOWER COVER REMOVAL/INSTALLATION**)
 - Woofer, for some models (see **SUBWOOFER (EX AND '06 EX-P MODELS)**)
2. M/T model: Remove the shift knob (A).

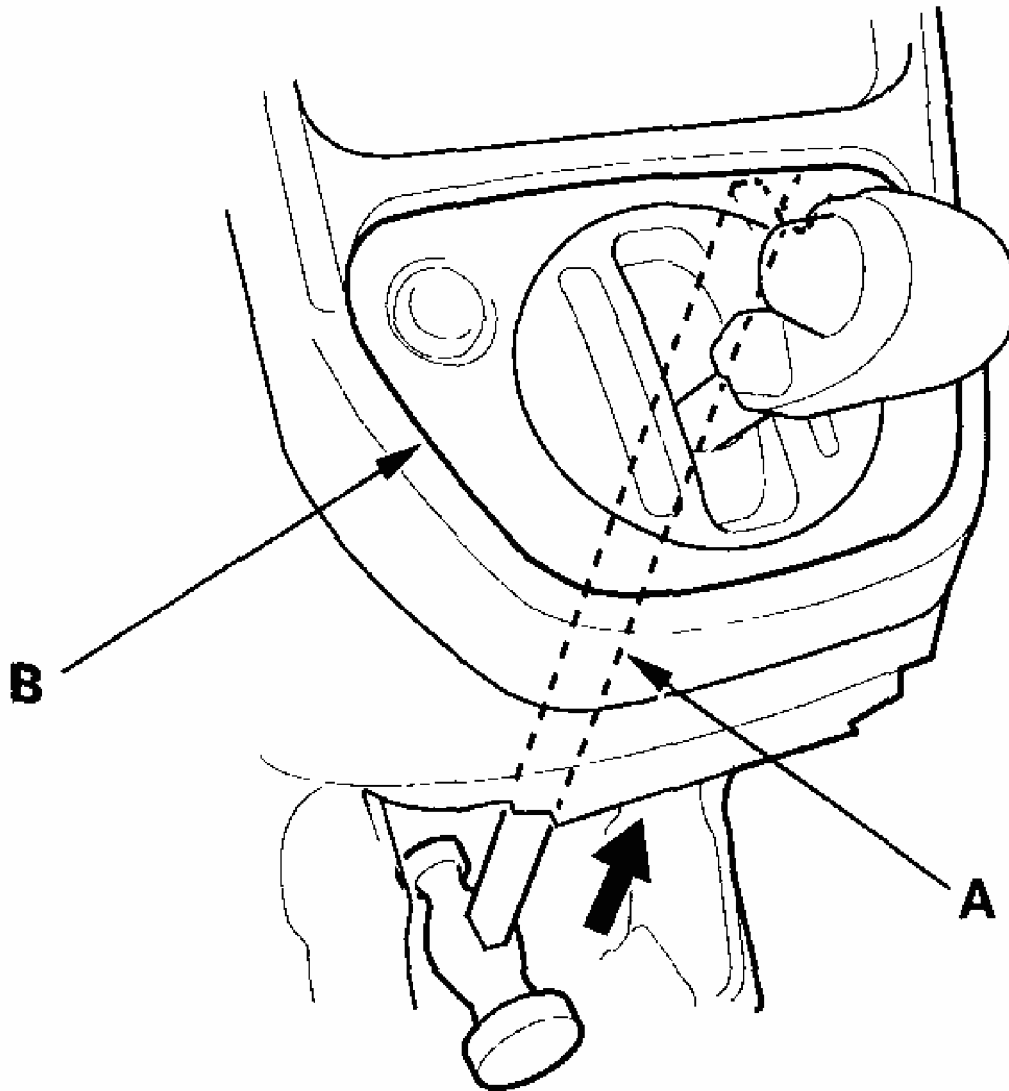


G03679416

Fig. 10: Removing Shift Knob

Courtesy of AMERICAN HONDA MOTOR CO., INC.

3. Using the handle end of a hammer (A), carefully insert the handle through the center lower cover opening, and push on the back side of the shift lever trim (B) to start to release the clips.



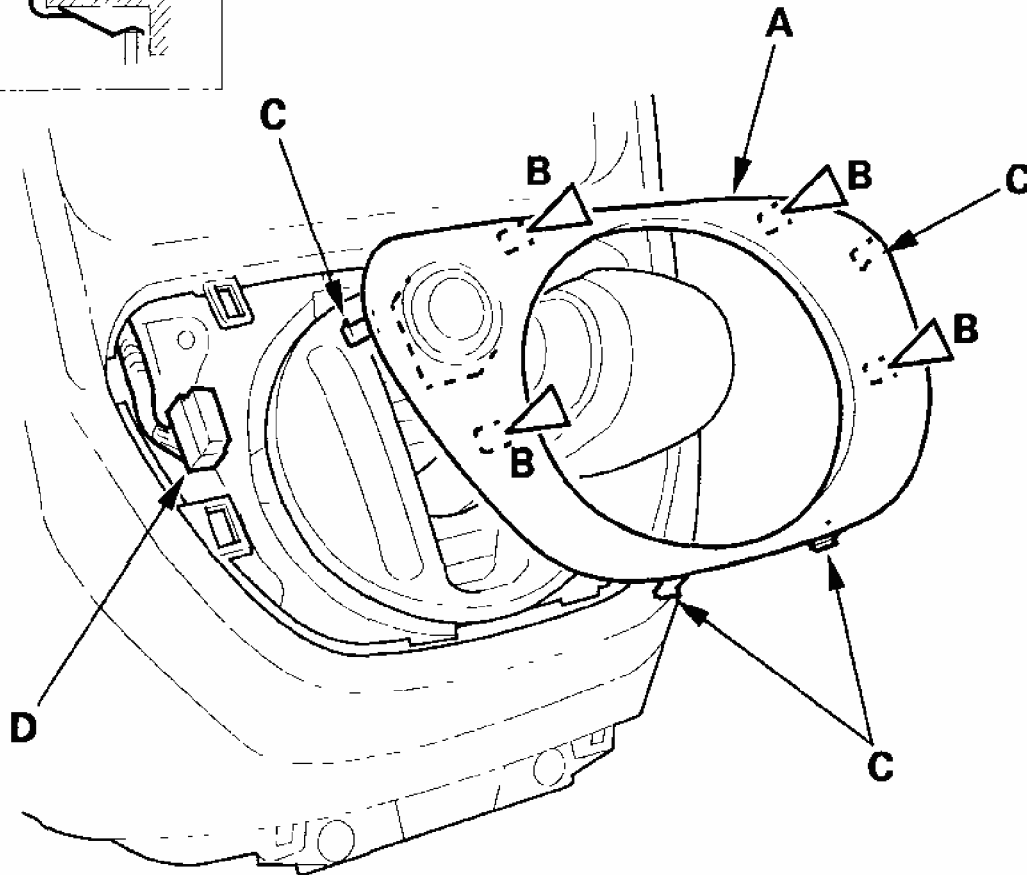
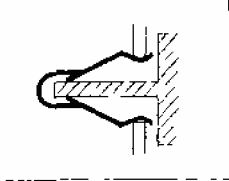
G03679417

Fig. 11: Inserting Handle Through Center Lower Cover To Shift Lever Trim
Courtesy of AMERICAN HONDA MOTOR CO., INC.

4. Pull out the shift lever trim (A) to release the remaining clips (B), hooks (C), and disconnect hazard warning switch connector (D).

Fastener Locations

B▷ : Clip, 4



G03679418

Fig. 12: Pulling Shift Lever Trim Releasing Clips & Hooks.
 Courtesy of AMERICAN HONDA MOTOR CO., INC.

5. Install the panel in the reverse order of removal, and note these items:
 - Make sure each connector is plugged in properly.
 - Push the clip and hook portions into place securely.

CENTER PANEL REMOVAL/INSTALLATION

Special Tools Required

KTC trim tool set SOJATP2014 *

* Available through the American Honda Tool and Equipment Program; call 888-424-6857

NOTE:

- **Use the appropriate tool from the KTC trim tool set to avoid damage when prying components.**
- **Take care not to scratch the dashboard and related parts.**

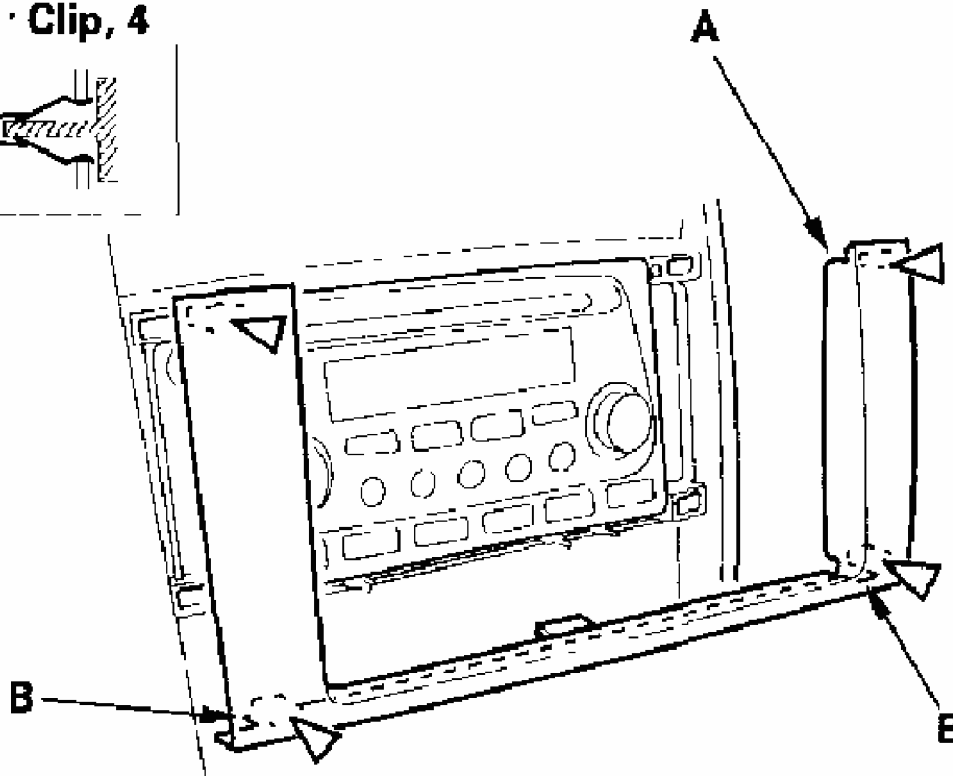
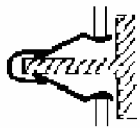
1. Remove these items:

- Center lower cover (see **CENTER LOWER COVER REMOVAL/INSTALLATION**)
- Shift lever trim (see **CENTER LOWER COVER REMOVAL/INSTALLATION**)

2. Release the lower clips in the radio panel (A) by putting a hook-snapped tool into the notches (B) and pulling out carefully. Pull out on the radio panel to release the upper clips.

Fastener Locations

▷ Clip, 4



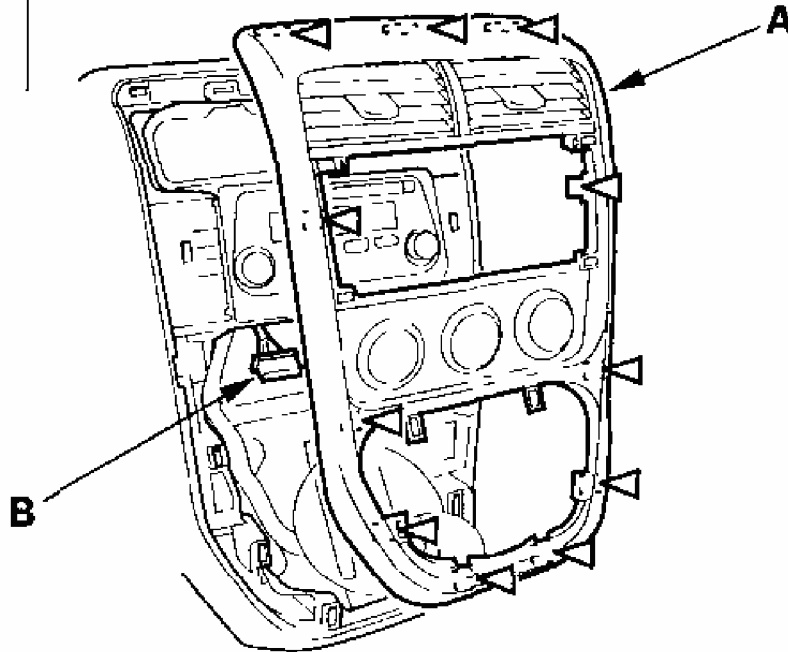
G03679419

Fig. 13: Releasing Lower Clips In Radio Panel
Courtesy of AMERICAN HONDA MOTOR CO., INC.

3. Pull on the center panel (A) to release the clips, then disconnect the heater control unit connector (B).

Fastener Locations

▷ : Clip, 11



G03679420

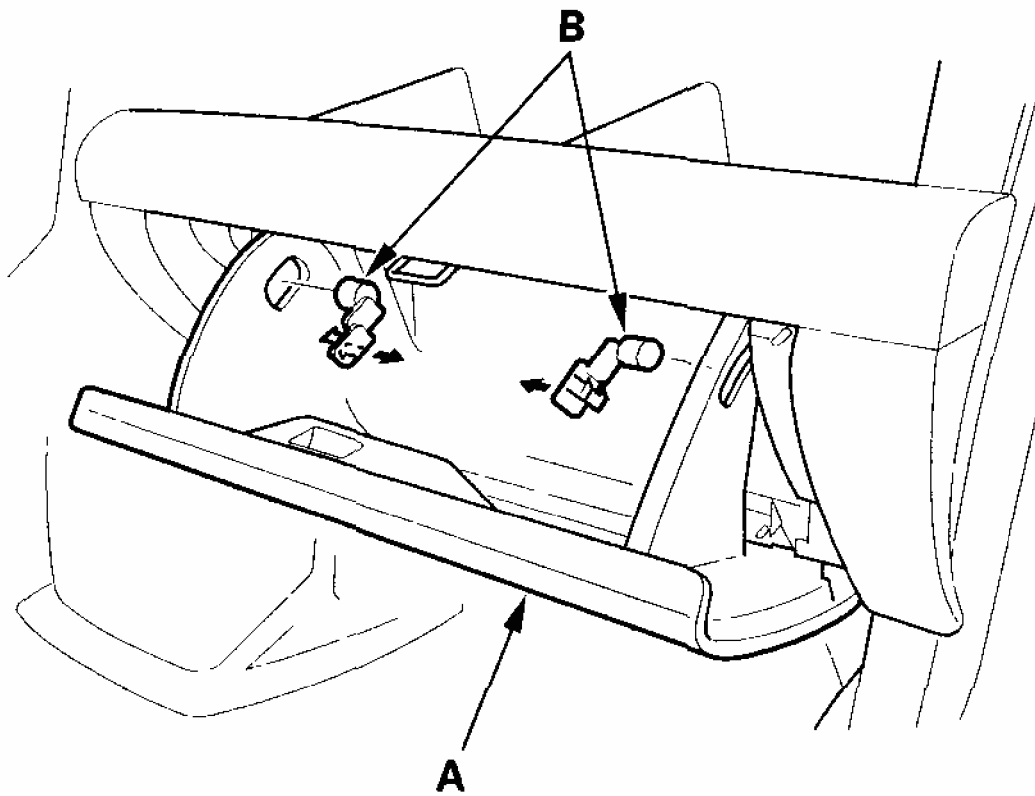
Fig. 14: Disconnecting Heater Control Unit Connector
Courtesy of AMERICAN HONDA MOTOR CO., INC.

4. Install the panel in the reverse order of removal, and note these items:
 - Make sure the heater control unit connector is plugged in properly.
 - Push the clips into place securely.

GLOVE BOX REMOVAL/INSTALLATION

NOTE: Take care not to scratch the dashboard and related parts.

1. While holding the glove box (A), remove the glove box stop (B) on each side.



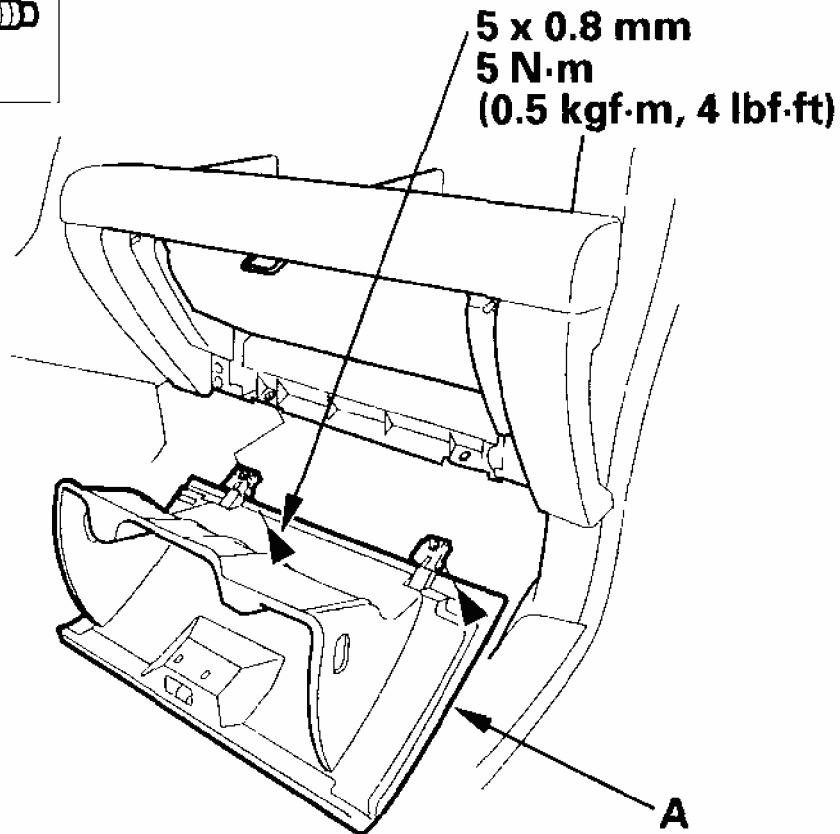
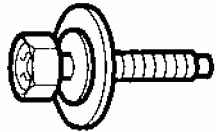
G03679421

Fig. 15: Removing Glove Box Stop
Courtesy of AMERICAN HONDA MOTOR CO., INC.

2. Remove the bolts, then remove the glove box (A).

Fastener Locations

▶ : Bolt, 2



G03679422

Fig. 16: Removing Glove Box Bolt With Specified Torques
Courtesy of AMERICAN HONDA MOTOR CO., INC.

3. Install the glove box in the reverse order of removal.

PASSENGER'S DASHBOARD UNDER COVER REMOVAL/INSTALLATION

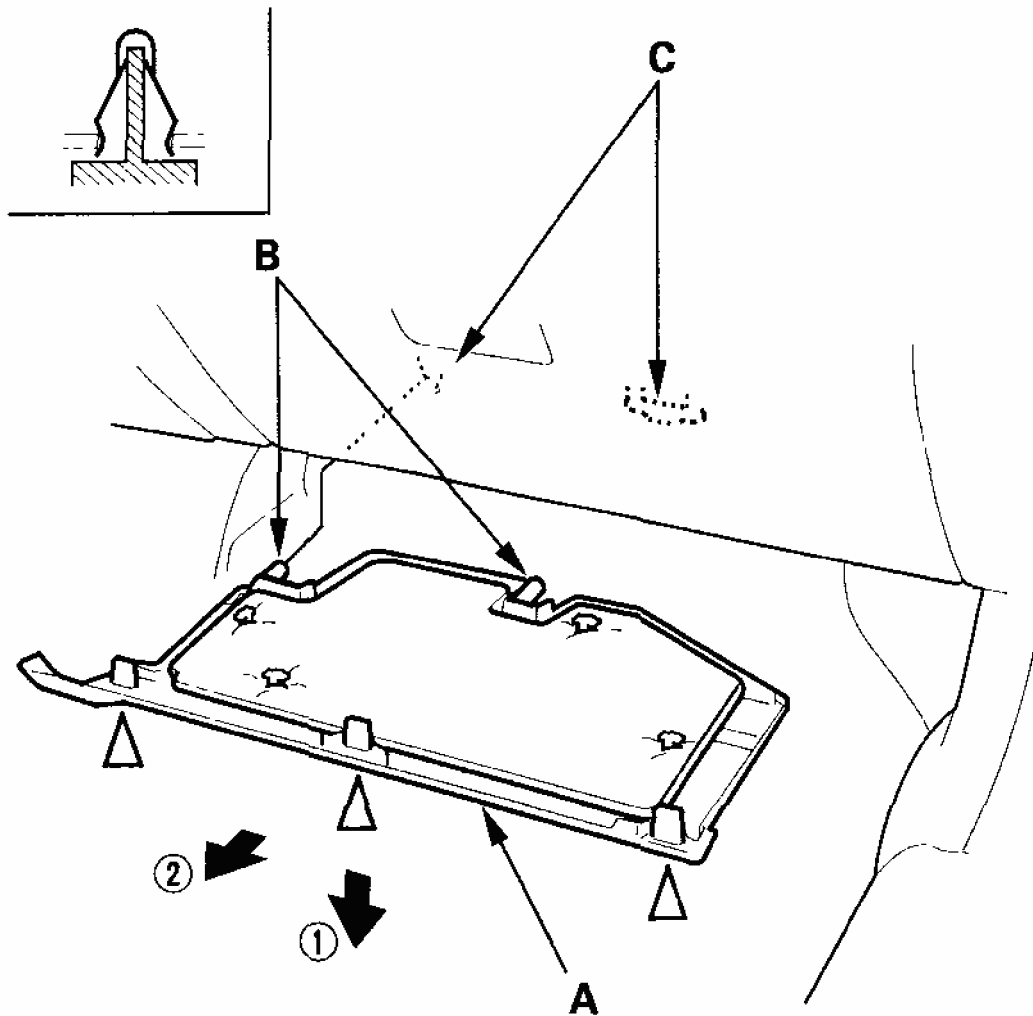
NOTE: Take care not to scratch the dashboard and related parts.

1. Remove the passenger's dashboard under cover (A).
 - 1 Gently pull down the rear edge to release the clips.

- 2 Pull the cover away to release the pins (B) from the holders (C).

Fastener Locations

▷ : Clip, 3



G03679423

Fig. 17: Locating Holders

Courtesy of AMERICAN HONDA MOTOR CO., INC.

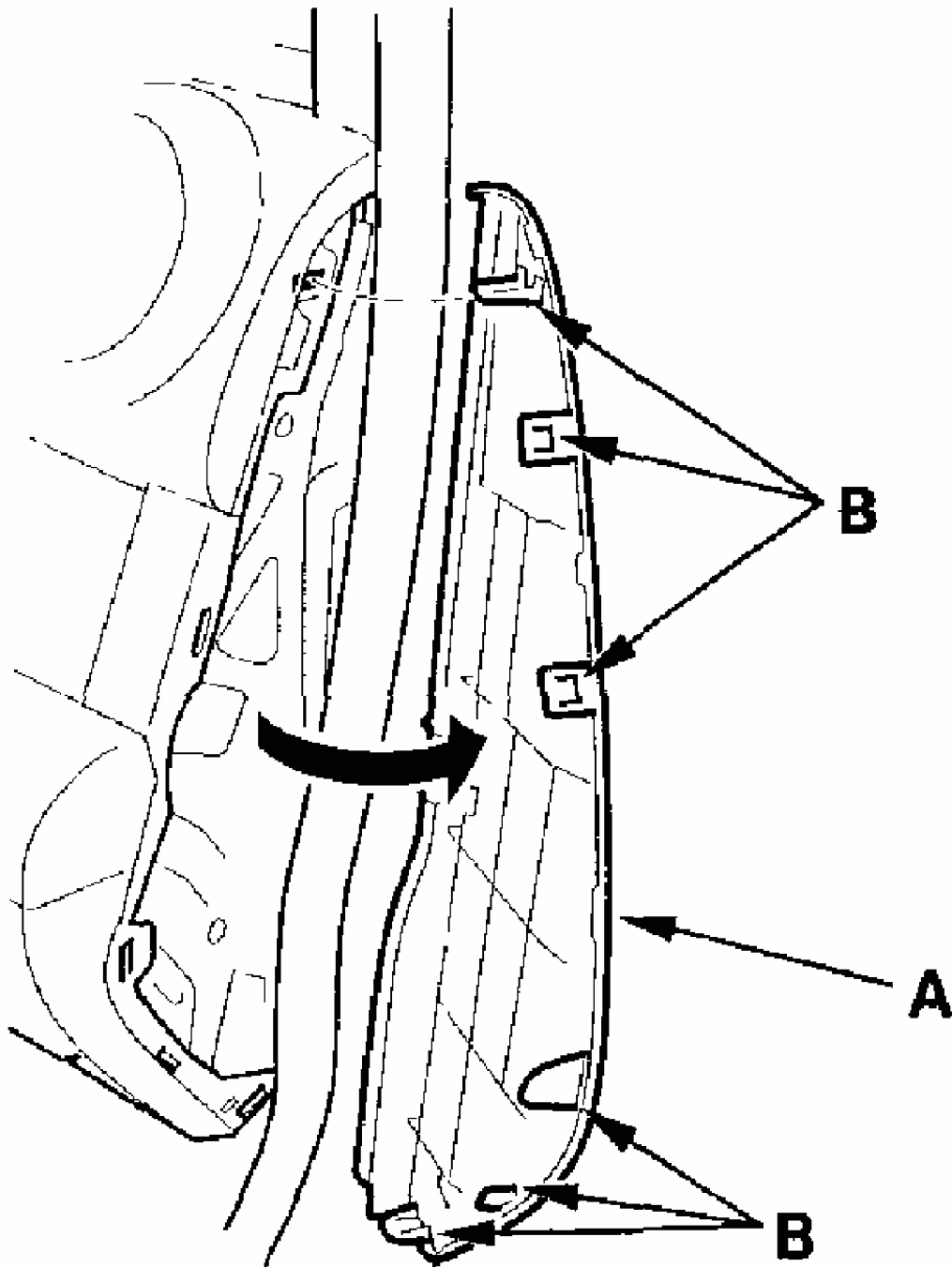
2. Install the cover in the reverse order of removal, and push the clip portions into place securely.

PASSENGER'S DASHBOARD UPPER PANEL AND DASHBOARD TRAY COVER REMOVAL/INSTALLATION

NOTE:

- **Put on gloves to protect your hands.**
- **Take care not to scratch the dashboard and related parts.**

1. Open the passenger's door, and gently pull out on the front of the dashboard side lid (A) to release the hooks (B), then remove the lid.



G03679424

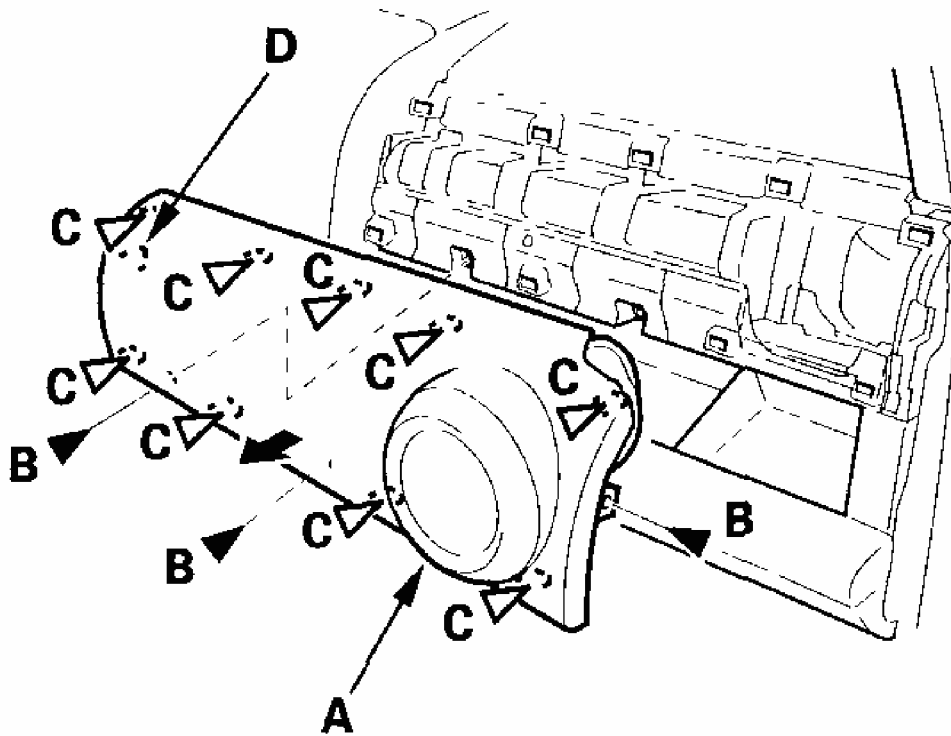
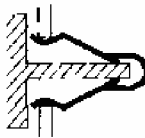
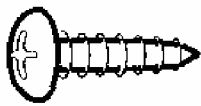
Fig. 18: Pulling Front Of Dashboard Side Lid
Courtesy of AMERICAN HONDA MOTOR CO., INC.

2. Remove the dashboard upper panel (A).

- 1 Remove the screws (B).
- 2 Gently pull out on the panel to release the clips (C) and hook (D).

Fastener Locations

B ▶ : Screw, 3 **C** ▷ : Clip, 9



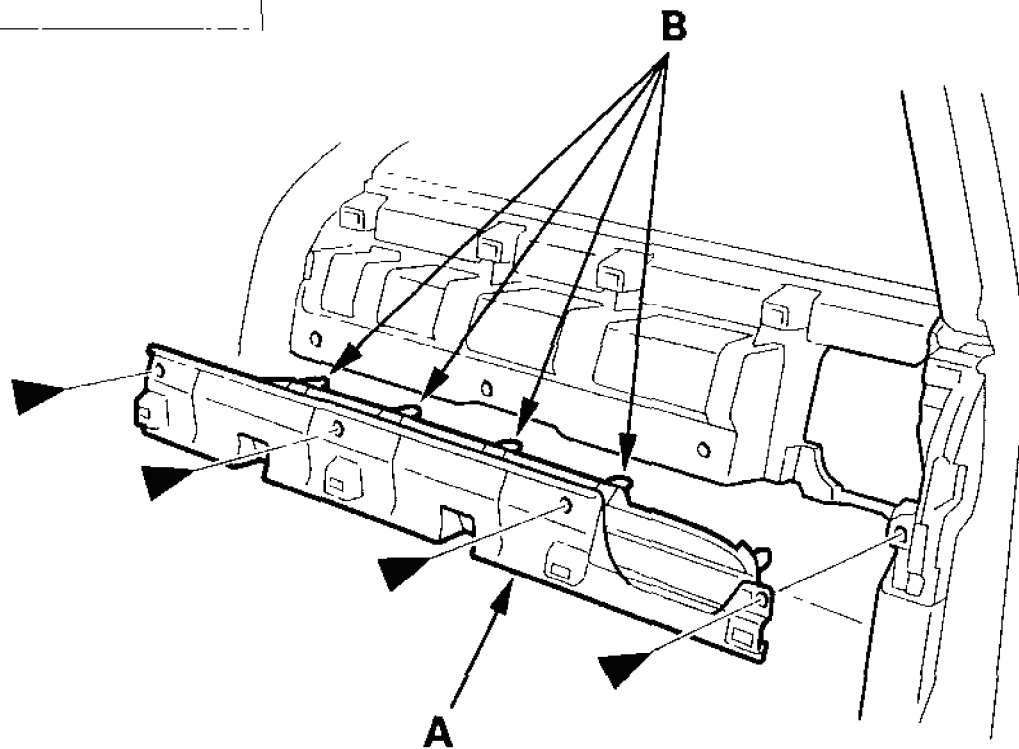
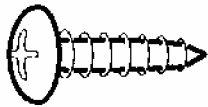
G03679425

Fig. 19: Removing Dashboard Upper Panel
 Courtesy of AMERICAN HONDA MOTOR CO., INC.

3. Remove the dashboard tray cover (A).
 - 1 Remove the screws.
 - 2 Gently pull out on the cover to release the hooks (B).

Fastener Locations

▶ : Screw, 4



G03679426

Fig. 20: Removing Dashboard Tray Cover
Courtesy of AMERICAN HONDA MOTOR CO., INC.

4. Install the cover and panel in the reverse order of removal, and push the clips and hooks into place securely.

PASSENGER'S DASHBOARD LOWER PANEL REMOVAL/INSTALLATION

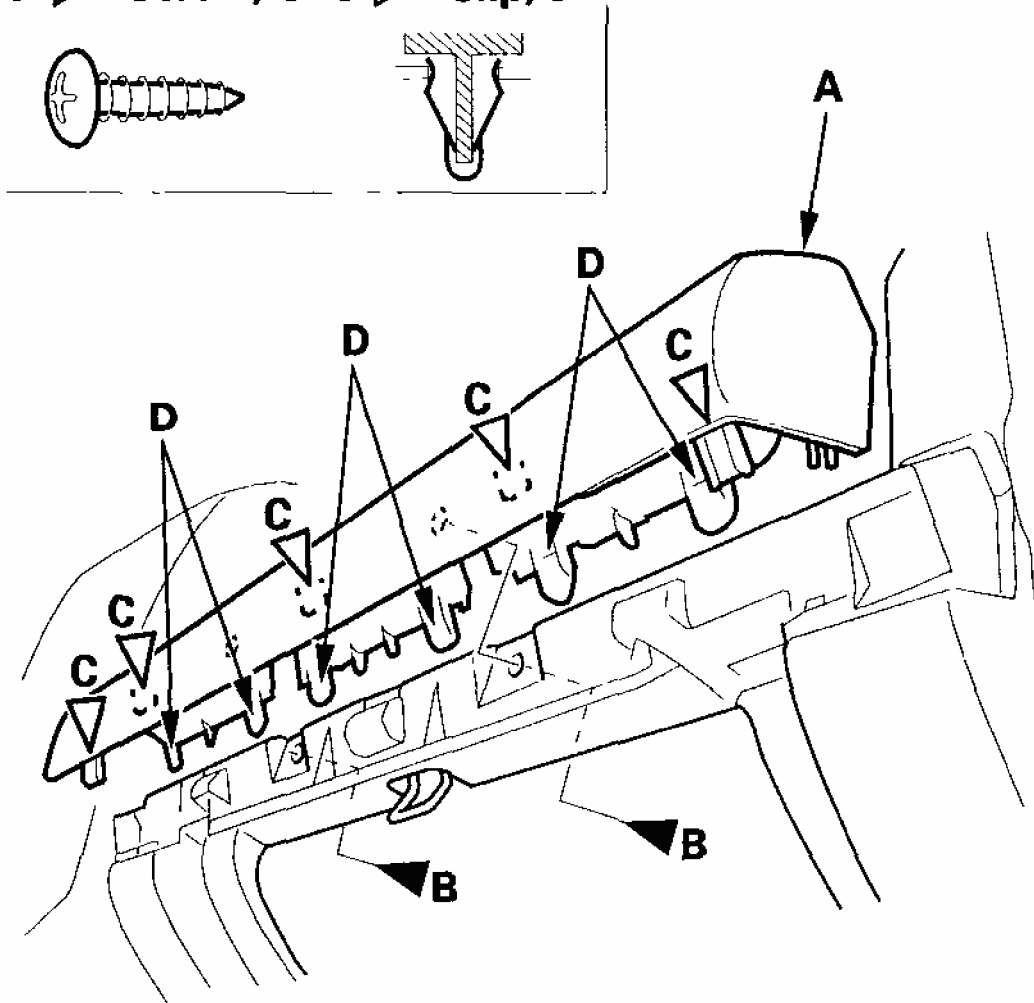
NOTE: Take care not to scratch the dashboard and related parts.

1. Remove the glove box stop on each side, then lower the glove box (see step 1).
2. Remove the dashboard lower panel (A).

- 1 Remove the screws (B).
- 2 Gently pull out the panel to release the clips (C) and hooks (D).

Fastener Locations

B ▶ : Screw, 2 **C** ▷ : Clip, 5



G03679427

Fig. 21: Removing Dashboard Lower Panel
 Courtesy of AMERICAN HONDA MOTOR CO., INC.

3. Install the panel in the reverse order of removal, and push the clips into place securely.

DASHBOARD REMOVAL/INSTALLATION

Special Tools Required

KTC trim tool set SOJATP2014 *

* Available through the American Honda Tool and Equipment Program; call 888-424-6857

SRS components are located in this area. Review the SRS component locations (see **COMPONENT LOCATION INDEX**) and the precautions and procedures (see **PRECAUTIONS AND PROCEDURES**) before performing repairs or service.

NOTE:

- **Use the appropriate tool from the KTC trim tool set to avoid damage when prying components.**
- **Have an assistant help you when removing and installing the dashboard.**
- **Take care not to scratch the dashboard, body, and other related parts.**
- **Put on gloves to protect your hands.**

1. Make sure you have the anti-theft code for the radio, then write down the frequencies for the preset buttons.
2. Disconnect the negative cable from the battery, and wait at least 3 minutes before beginning work.
3. Remove these items:
 - Driver's dashboard lower cover (see **DRIVER'S DASHBOARD LOWER COVER REMOVAL/INSTALLATION**)
 - Glove box (see **GLOVE BOX REMOVAL/INSTALLATION**)
 - Passenger's dashboard under cover (see **GLOVE BOX REMOVAL/INSTALLATION**)
 - Center lower cover (see **CENTER LOWER COVER REMOVAL/INSTALLATION**)
 - Passenger's vent (see **DRIVER'S VENT REMOVAL/INSTALLATION**)
 - A-pillar trim, both sides (see **TRIM REMOVAL/INSTALLATION - DOOR AREAS**)
 - Kick panel, passenger's side (see **TRIM REMOVAL/INSTALLATION - DOOR AREAS**)
 - Steering column (see **STEERING COLUMN REMOVAL AND INSTALLATION**)
 - A/T model: Disconnect the A/T control cable (see **SHIFT LEVER REMOVAL**)
 - M/T model: Disconnect shift cable (see **GEARSHIFT MECHANISM REPLACEMENT**)
 - Woofer, for some models (see **SUBWOOFER (EX AND '06 EX-P MODELS)**)

Driver's side

4. From under the dash, disconnect the tweeter harness connector (A) (on some models), driver's door wire harness connectors (B), brake switch connector (C), and clutch switch connectors (D) (on M/T model). Disconnect the engine compartment wire harness connectors (E) from the under-dash fuse/relay box (F).

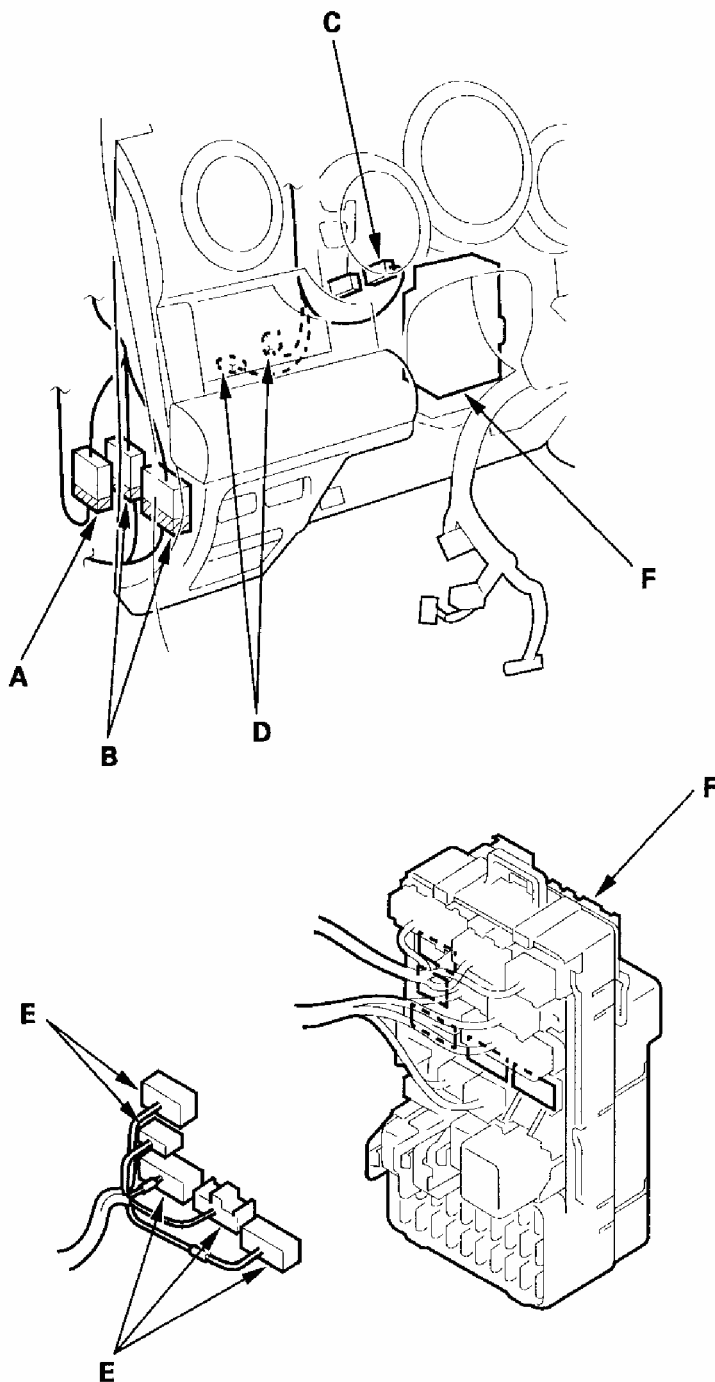
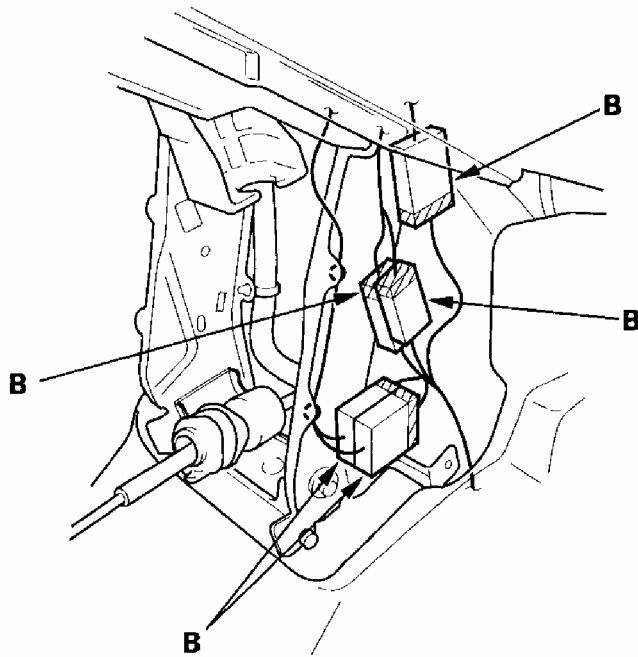
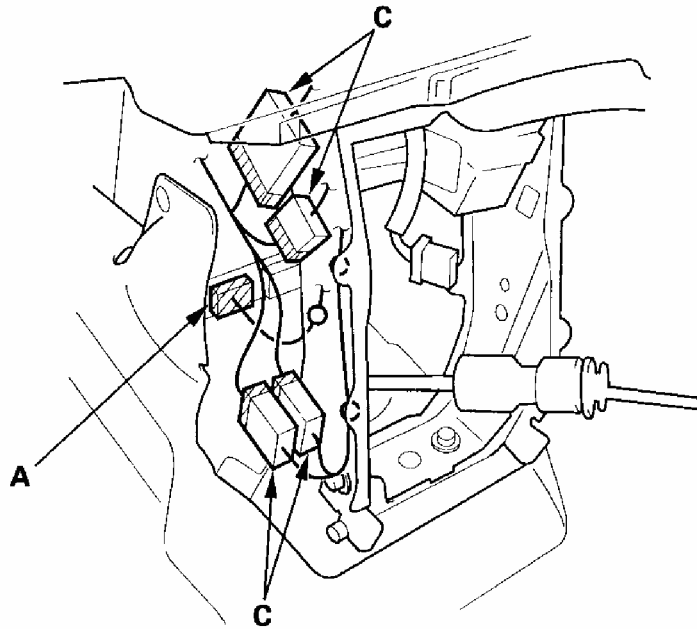


Fig. 22: Disconnecting Harness Connector
Courtesy of AMERICAN HONDA MOTOR CO., INC.

Middle portion

5. Disconnect the SRS control unit connector (A), floor wire harness connectors (B), and engine compartment wire harness connectors (C).



G03679429

Fig. 23: Disconnecting SRS Control Unit Connector
Courtesy of AMERICAN HONDA MOTOR CO., INC.

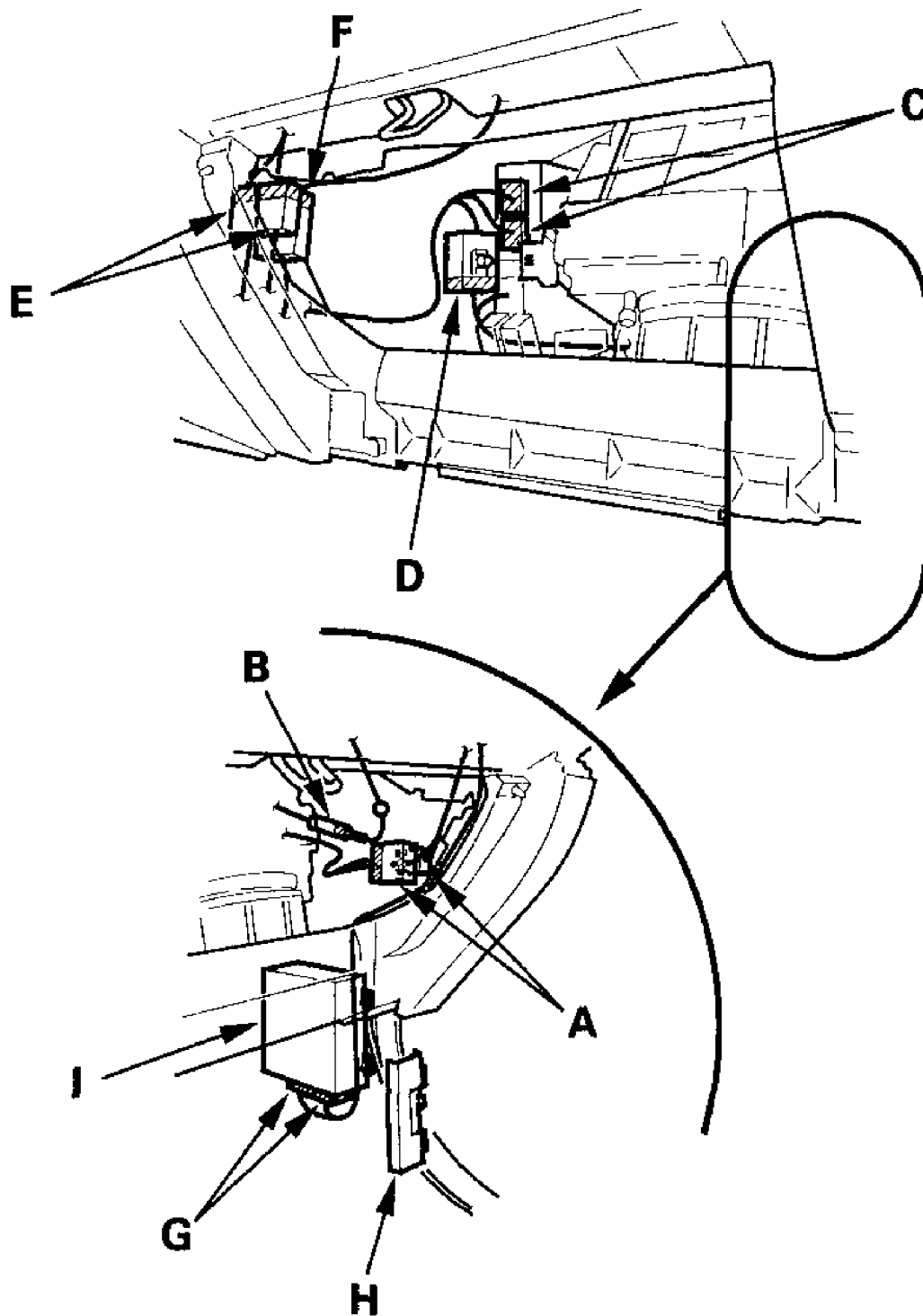
Passenger's side

6. From under the dash, disconnect the passenger's door wire harness connectors (A), antenna lead (B), ECM/PCM connectors (C), engine wire harness connector (D), heater

2004 Honda Element DX

2003-06 ACCESSORIES & EQUIPMENT Dashboard - Element

subharness connectors (E), and passenger's airbag connector (F). Disconnect the amplifier connectors (G), and release the wire harness protector (H) from the amplifier (I) (on some models).



G03679430

Fig. 24: Disconnecting Passenger' Door Wire Harness Connectors
Courtesy of AMERICAN HONDA MOTOR CO., INC.

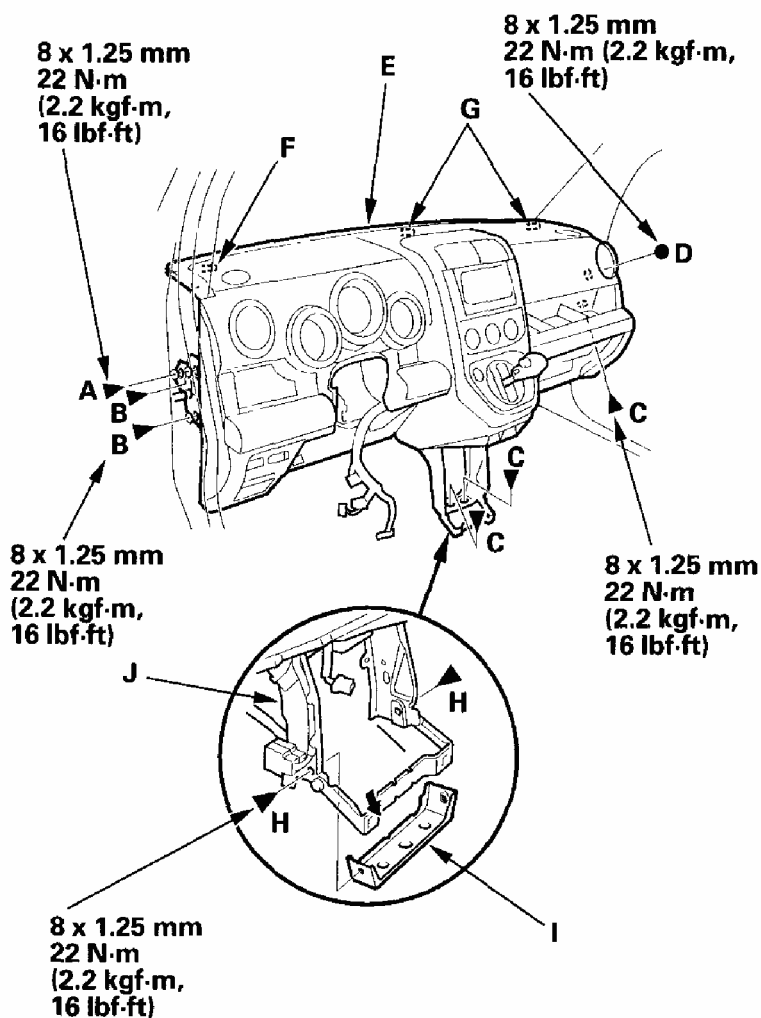
7. Detach all of the harness and connector clips.
8. Remove the bolts (A, B, C) and nut (D), then lift up on the dashboard (E) to release it from the guide pins (F, G) on the body.

Fastener Locations

A▶ : Bolt, 1 **B▶** : Bolt, 2 **C▶** : Bolt, 3



D● : Nut, 1 **H▶** : Bolt, 2



G03679431

Fig. 25: Detaching Harness And Connector Clips And Torque Specifications
 Courtesy of AMERICAN HONDA MOTOR CO., INC.

9. Carefully remove the dashboard through the front door opening.
10. Remove the center frame mounting bolts (H), then remove the center bracket (I) from the center frame (J).
11. Install the dashboard in the reverse order of removal, and note these items:
 - Make sure the dashboard fits onto the guide pins correctly.
 - Apply liquid thread lock to the center frame mounting bolts before reinstallation.
 - Reinstall the center bracket on the center frame, and slightly tighten the mounting bolts. Reinstall the dashboard on the body. After tightening both dashboard mounting bolts and nut, tighten the center bracket mounting bolts and center frame mounting bolts.
 - Before tightening the bolts, make sure each wire harness is not pinched.
 - Make sure the connectors are plugged in properly, and the antenna lead is connected properly.
 - Reconnect the negative cable to battery.
 - Enter the anti-theft code for the radio, then enter the audio presets.
 - Reset the clock.
 - Do the ECM/PCM idle learn procedure (see **ECM/PCM IDLE LEARN PROCEDURE**).
 - Do the power window control unit reset procedure (see **RESETTING THE POWER WINDOW CONTROL UNIT**).

STEERING HANGER BEAM REPLACEMENT

NOTE:

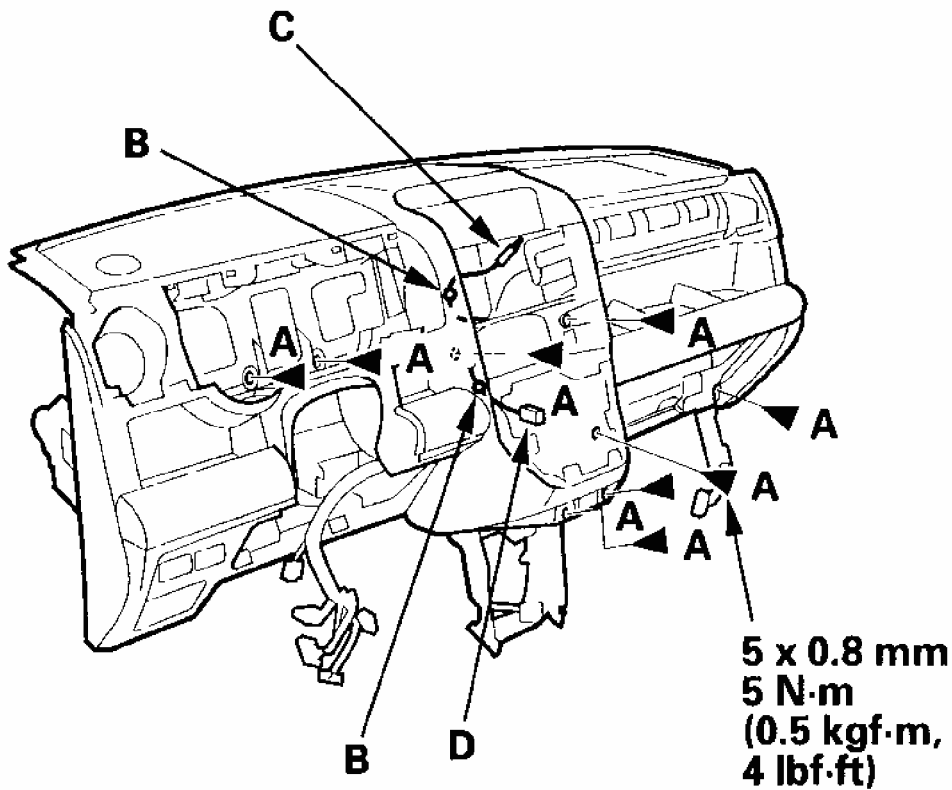
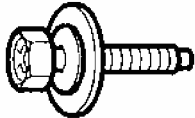
- **Have an assistant help you when removing and installing the steering hanger beam.**
- **Take care not to scratch the dashboard.**
- **Put on gloves to protect your hands.**

1. Remove the dashboard (see **PASSENGER'S DASHBOARD LOWER PANEL REMOVAL/INSTALLATION**).
2. Remove these items from the dashboard:
 - Driver's dashboard panel (see **DRIVER'S DASHBOARD PANEL REMOVAL/INSTALLATION**)
 - Gauge assembly (see **GAUGE ASSEMBLY REPLACEMENT**)
 - Shift lever, A/T model (see **SHIFT LEVER REMOVAL**), M/T model (see **GEARSHIFT MECHANISM REPLACEMENT**)
 - Audio unit (see **AUDIO UNIT REMOVAL/INSTALLATION**)
 - Passenger's airbag (see **FRONT PASSENGER'S AIRBAG REPLACEMENT**)

- Remove the bolts (A) from the dashboard.

Fastener Locations

A▶ : Bolt, 8



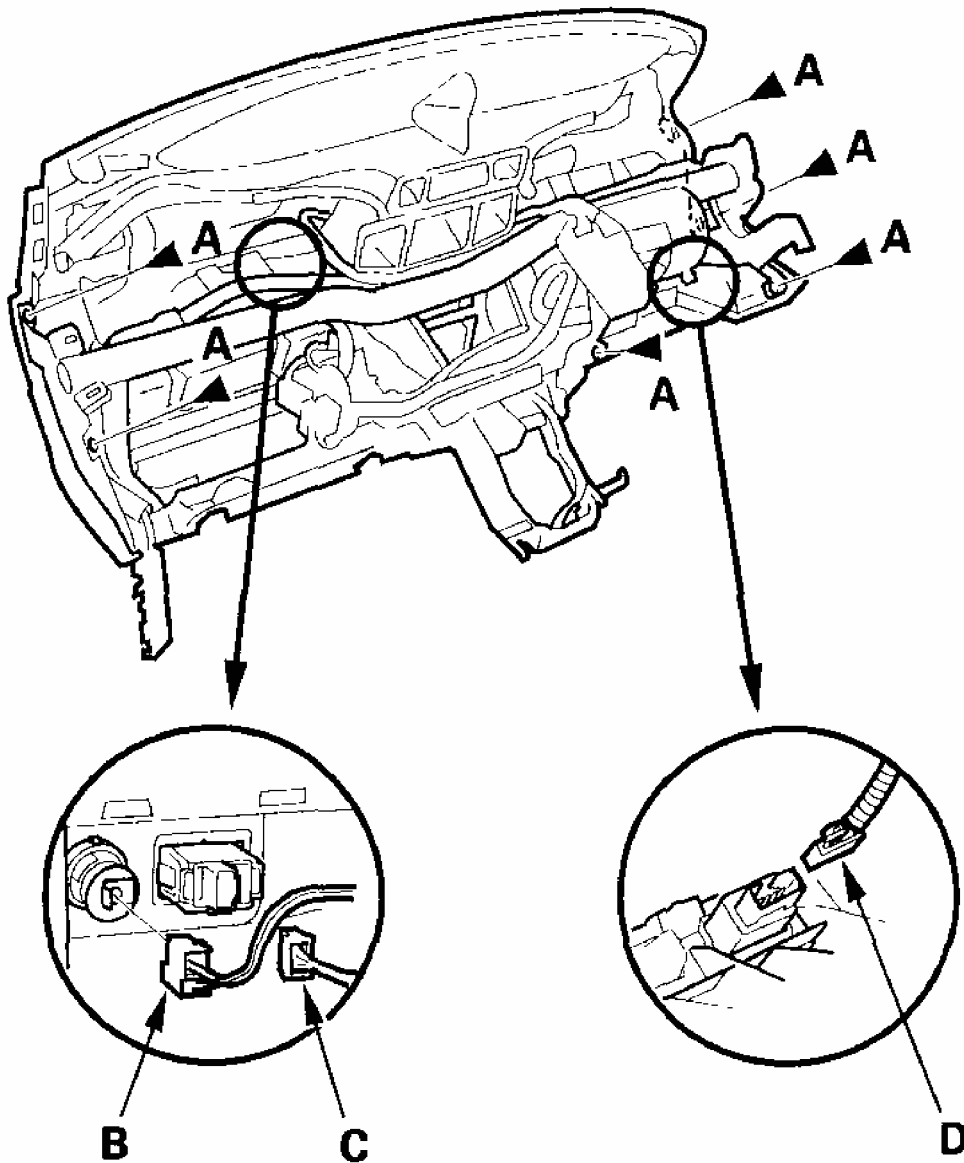
G03679432

Fig. 26: Detaching Harness Clips And Torque Specifications
Courtesy of AMERICAN HONDA MOTOR CO., INC.

- Detach the harness clips (B) securing the antenna lead (C) and hazard warning switch wire harness (D).
- From the back of the dashboard, remove the screws (A).

Fastener Locations

A ▶ : Screw, 6



G03679433

Fig. 27: Disconnecting Power Socket Connector
Courtesy of AMERICAN HONDA MOTOR CO., INC.

2004 Honda Element DX

2003-06 ACCESSORIES & EQUIPMENT Dashboard - Element

6. Disconnect the accessory power socket connector (B), auxiliary jack connector (C), cruise control main switch connector (D).
7. With the help of an assistant, separate the dashboard and steering hanger beam.
8. Install the beam in the reverse order of removal, and note these items:
 - Make sure the dashboard wire harness is not pinched.
 - Make sure the connectors are plugged in properly.