

**2004 Honda Element DX**

2003-06 ACCESSORIES & EQUIPMENT Horns - Element

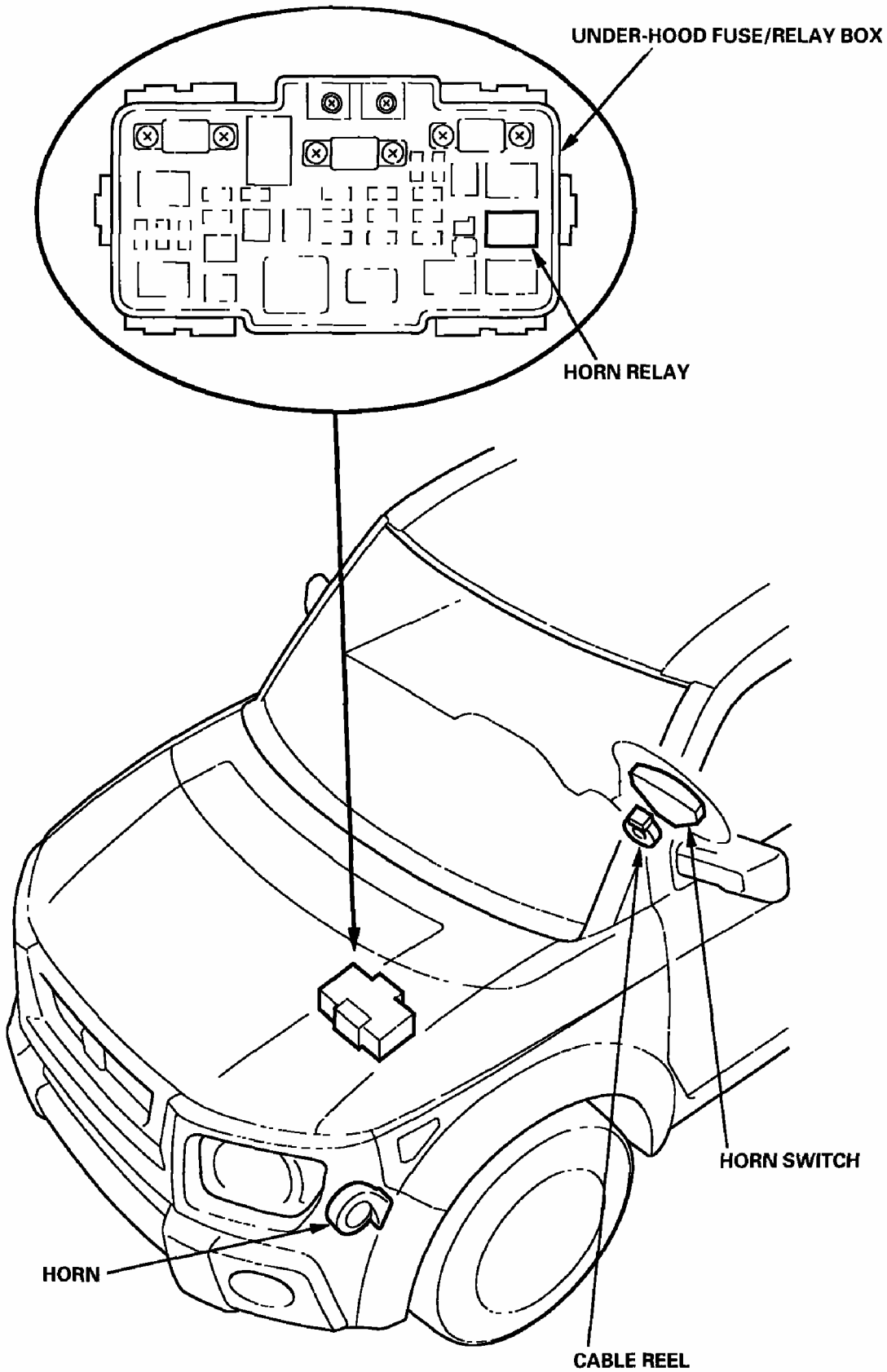
**2003-06 ACCESSORIES & EQUIPMENT**

**Horns - Element**

**COMPONENT LOCATION INDEX**

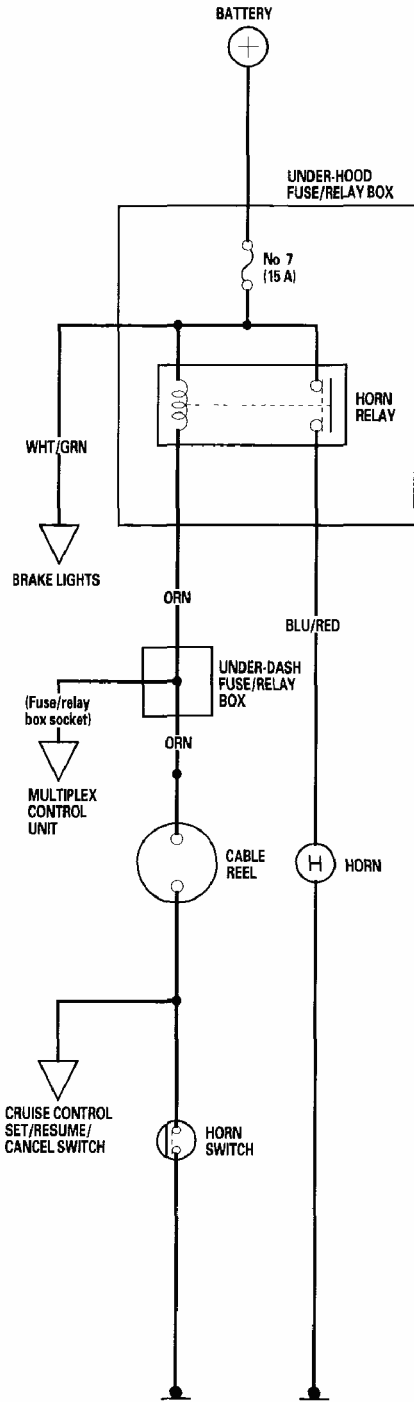
2004 Honda Element DX

2003-06 ACCESSORIES & EQUIPMENT Horns - Element



**Fig. 1: Identifying Horns Component**  
 Courtesy of AMERICAN HONDA MOTOR CO., INC.

**CIRCUIT DIAGRAM**

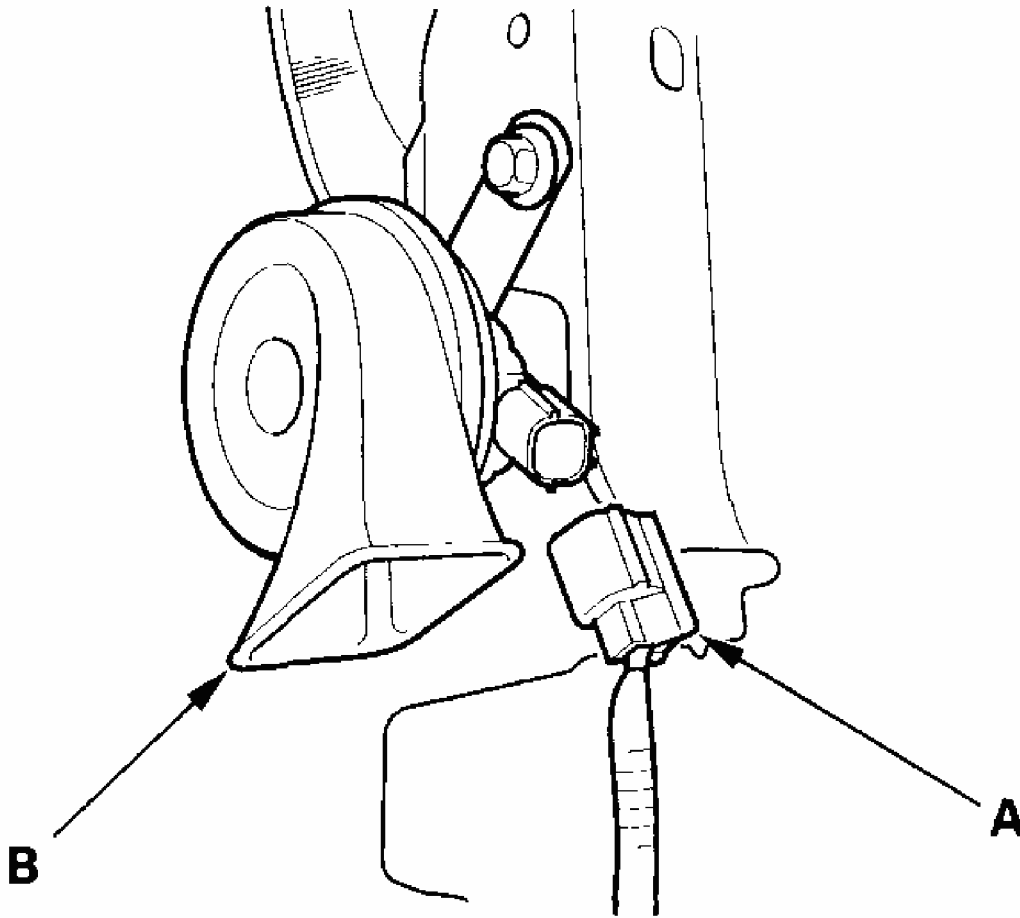


G03679814

**Fig. 2: Horns Circuit Diagram**  
 Courtesy of AMERICAN HONDA MOTOR CO., INC.

## HORN TEST/REPLACEMENT

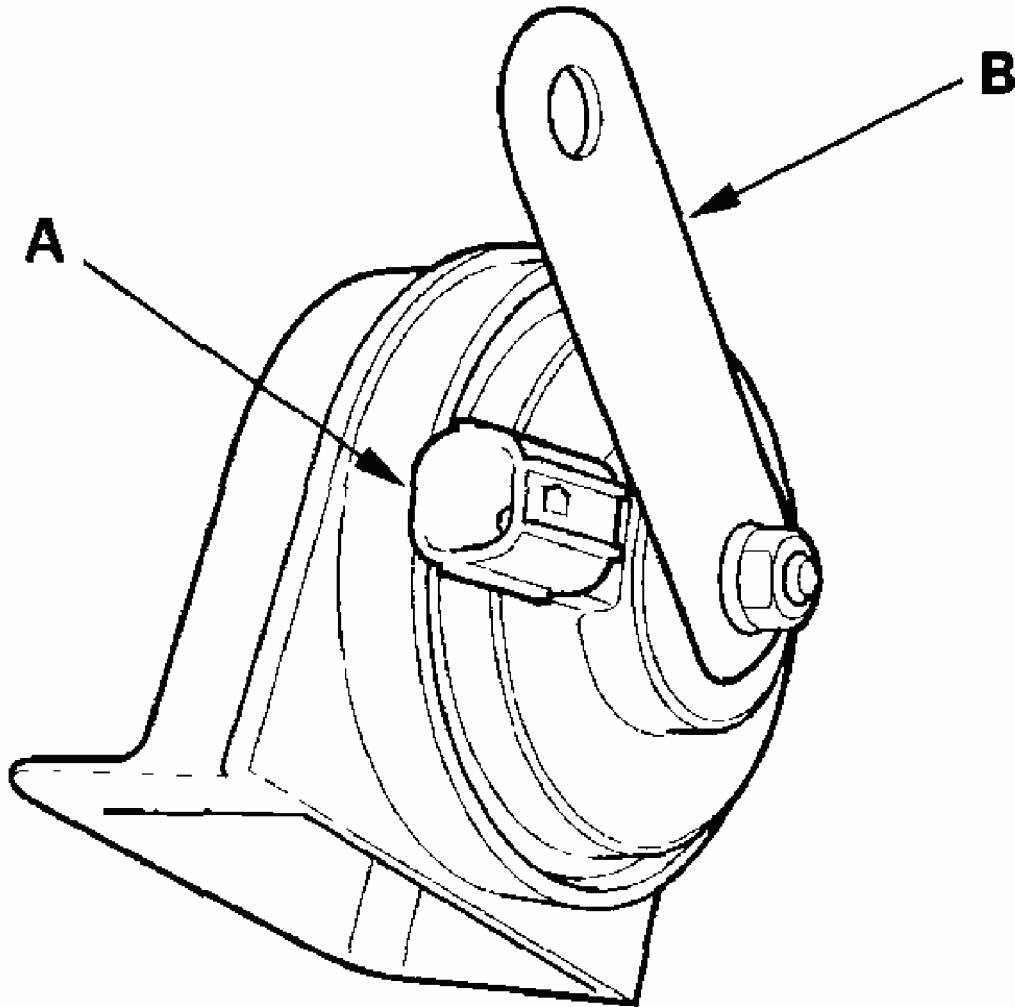
1. Remove the left inner fender (see **FRONT INNER FENDER REPLACEMENT**).
2. Disconnect the 1P connector (A), and remove the horn (B).



G03679815

**Fig. 3: Disconnecting Connector To Remove Horn**  
Courtesy of AMERICAN HONDA MOTOR CO., INC.

3. Test the horn by connecting battery power to the terminal (A) and ground to the bracket (B). The horn should sound.

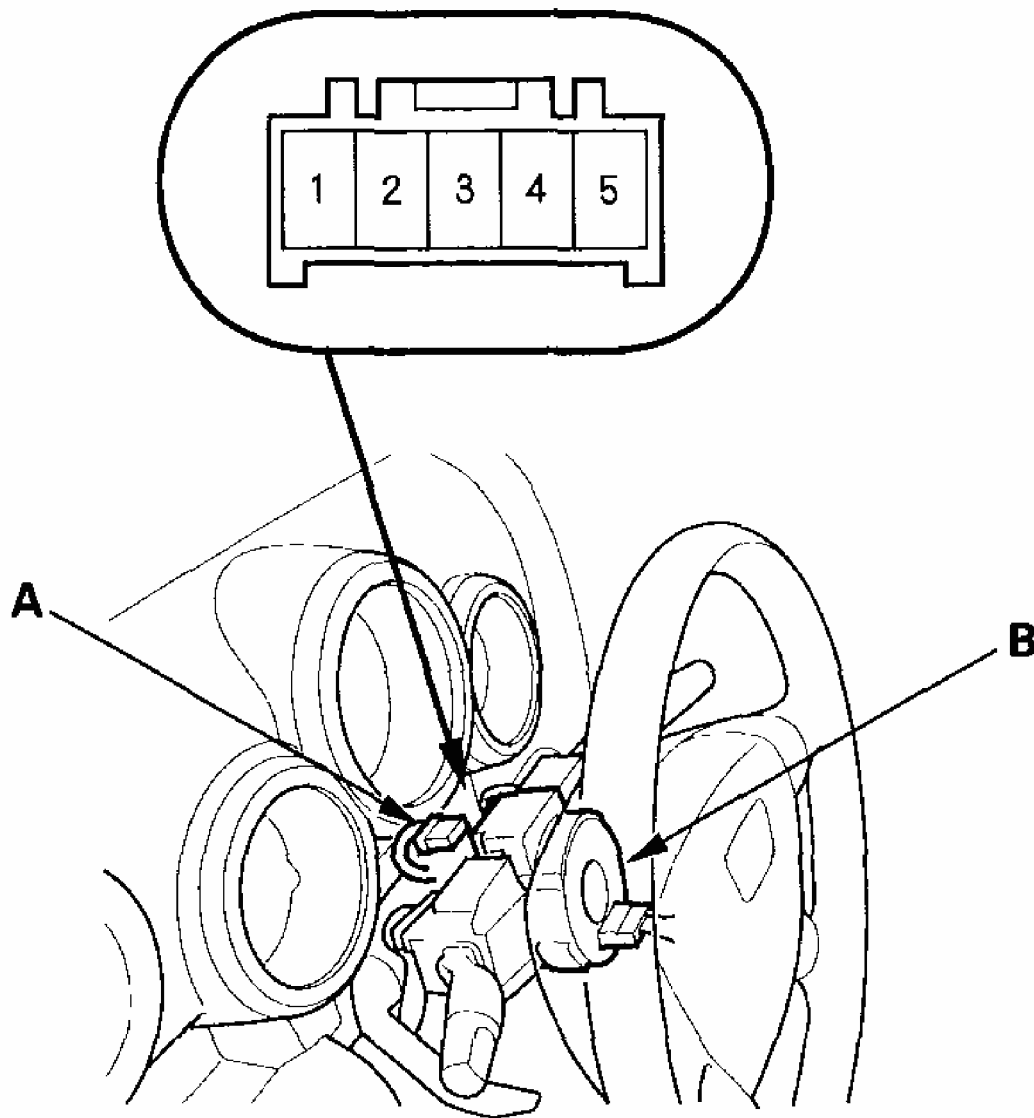


G03679816

**Fig. 4: Testing Horn By Connecting Battery Power To Terminal And Ground**  
Courtesy of AMERICAN HONDA MOTOR CO., INC.

## **HORN SWITCH TEST**

1. Remove the steering column covers (see **STEERING COLUMN REMOVAL AND INSTALLATION** ).
2. Disconnect the dashboard wire harness B 5P connector (A) from the cable reel (B).

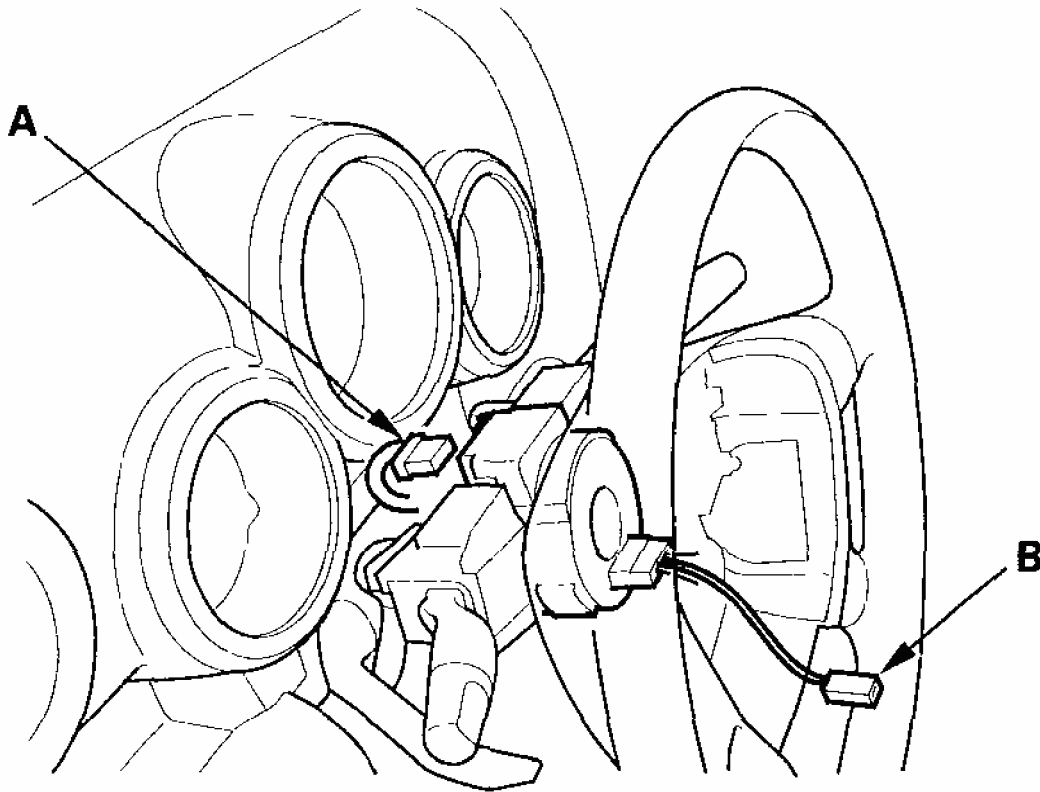


G03679817

**Fig. 5: Disconnecting Dashboard Wire Harness B 5P Connector**  
Courtesy of AMERICAN HONDA MOTOR CO., INC.

3. Using a jumper wire, connect the dashboard wire harness B 5P connector (A) No. 1 terminal to body ground.
  - If the horn sounds, go to step 4.
  - If the horn doesn't sound, check these items:
    - Horn relay.
    - No. 7 (15 A) fuse in the under-hood fuse/relay box.

- Horn (see **CIRCUIT DIAGRAM**).
  - An open in the wire.
4. Reconnect the dashboard wire harness B 5P connector (A), and disconnect the horn switch positive 1P connector (B).



G03679818

**Fig. 6: Reconnecting Dashboard Wire Harness B 5P Connector And Disconnecting Horn Switch 1P Connector**  
Courtesy of AMERICAN HONDA MOTOR CO., INC.

5. Using a jumper wire, connect the horn switch positive 1P connector to ground.
- If the horn sounds, replace the horn switch plate.
  - If the horn does not sound, replace the cable reel.