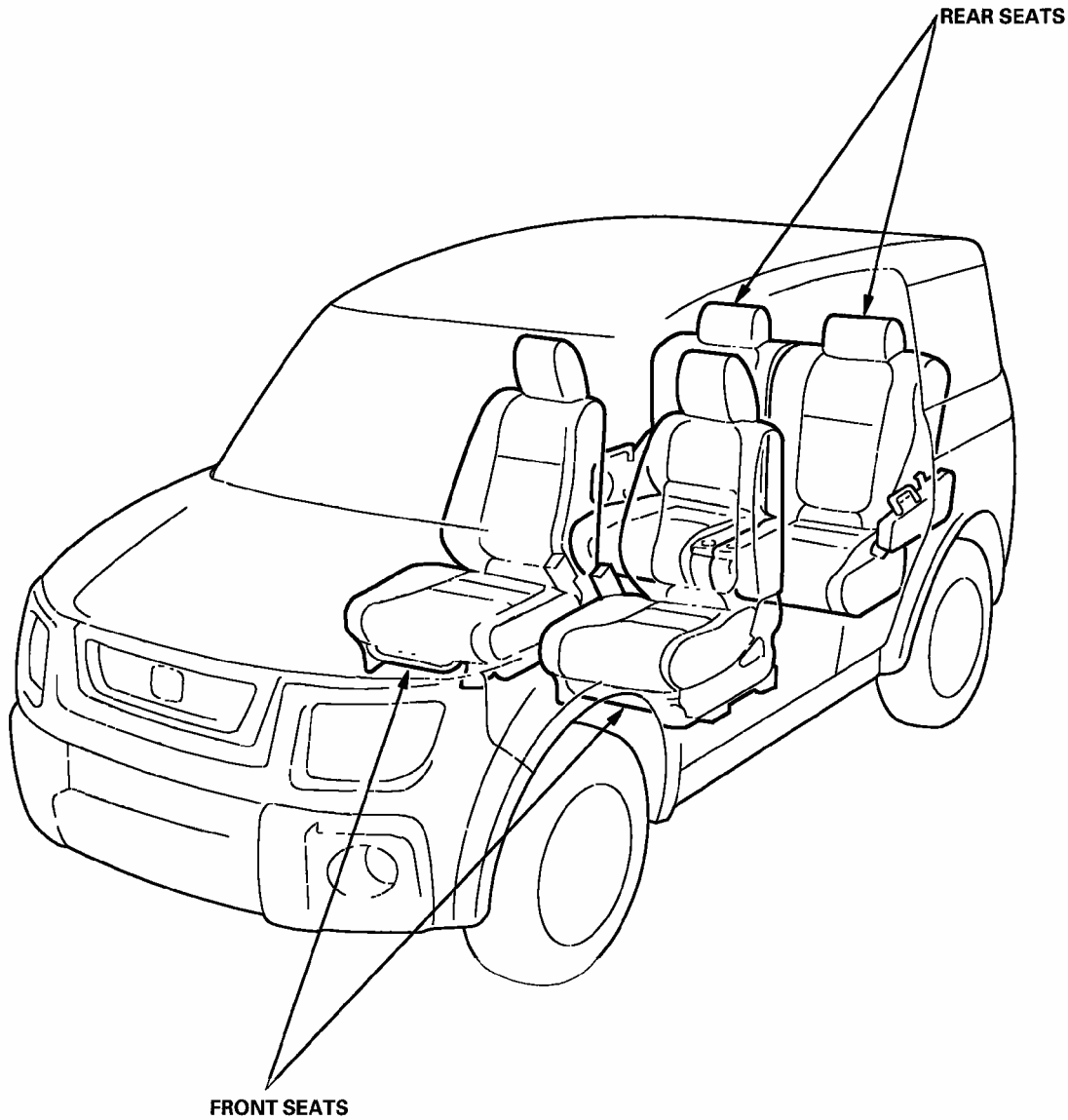


2003-06 ACCESSORIES & EQUIPMENT

Seats - Element

COMPONENT LOCATION INDEX



G03679434

Fig. 1: Identifying Rear & Front Seats Component Locations
Courtesy of AMERICAN HONDA MOTOR CO., INC.

FRONT SEAT REMOVAL/INSTALLATION

Special Tools Required

KTC trim tool set SOJATP2014 *

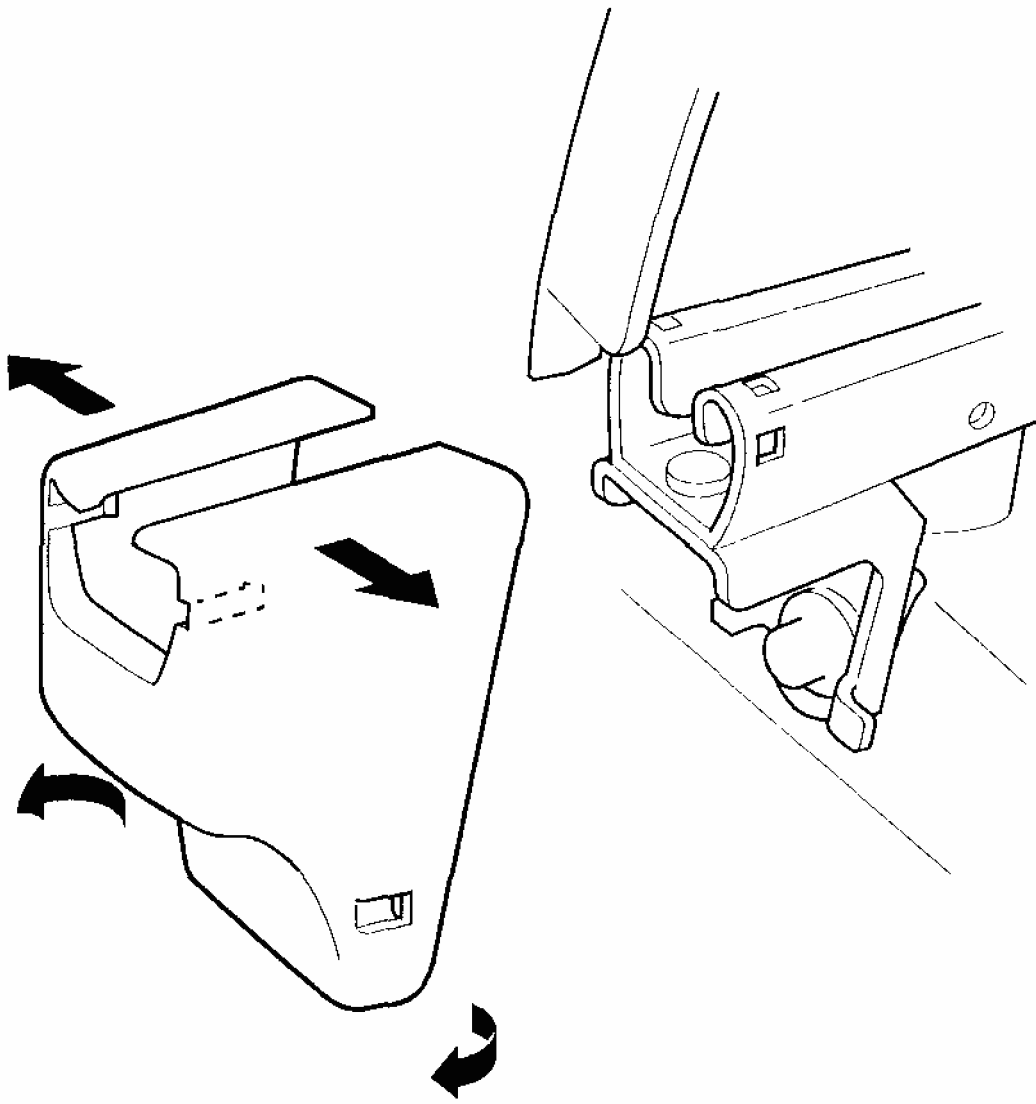
* Available through the American Honda Tool and Equipment Program; call 888-424-6857

SRS components are located in this area. Review the SRS component locations (see **COMPONENT LOCATION INDEX**) and the precautions and procedures (see **PRECAUTIONS AND PROCEDURES**) before performing repairs or service.

NOTE:

- Use the appropriate tool from the KTC trim tool set to avoid damage when prying components.
- Take care not to scratch the body or tear the seat covers.
- Put on gloves to protect your hands.

1. Make sure you have the anti-theft code for the radio, and then write down the audio presets.
2. Disconnect the negative cable from the battery, and wait at least 3 minutes before beginning work.
3. Remove the front seat track end covers from the front of both seat tracks.



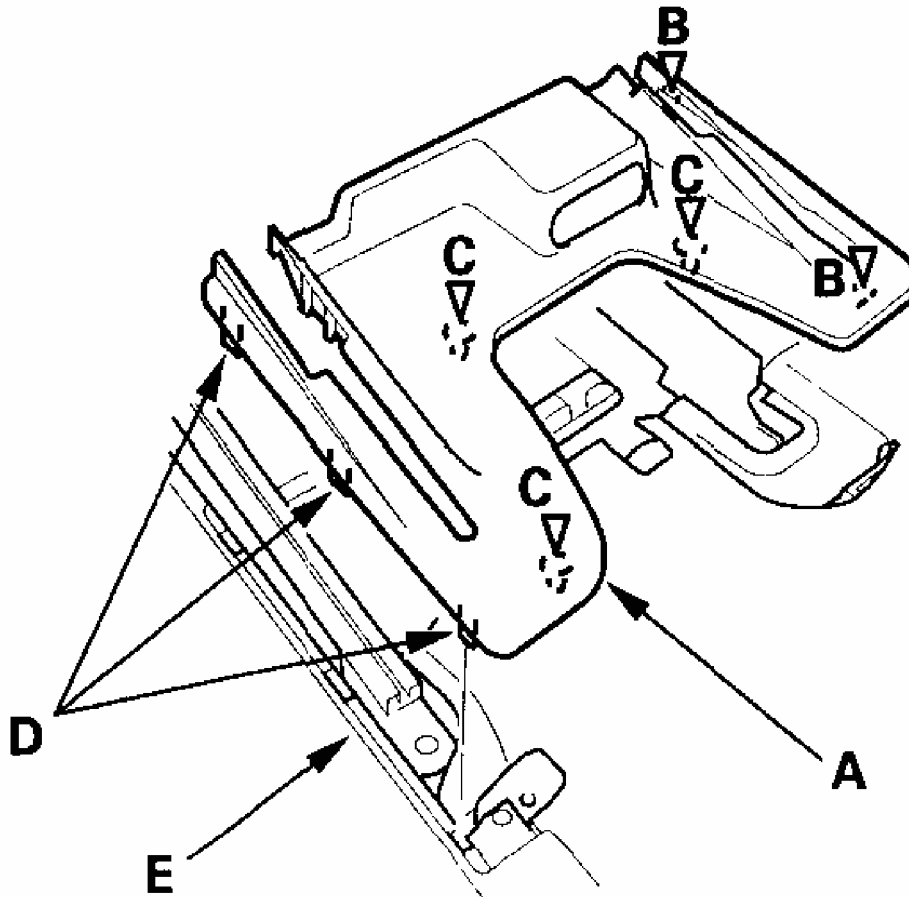
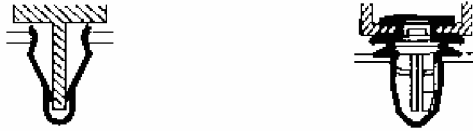
G03679435

Fig. 2: Removing Front Seat Track
Courtesy of AMERICAN HONDA MOTOR CO., INC.

4. Slide the front seat forward fully.
5. Pull the front seat track floor cover (A) up to detach the clips (B, C) and to detach the hooks (D) from the door sill trim (E).

Fastener Locations

B ▷ : Clip, 2 **C ▷** : Clip, 3



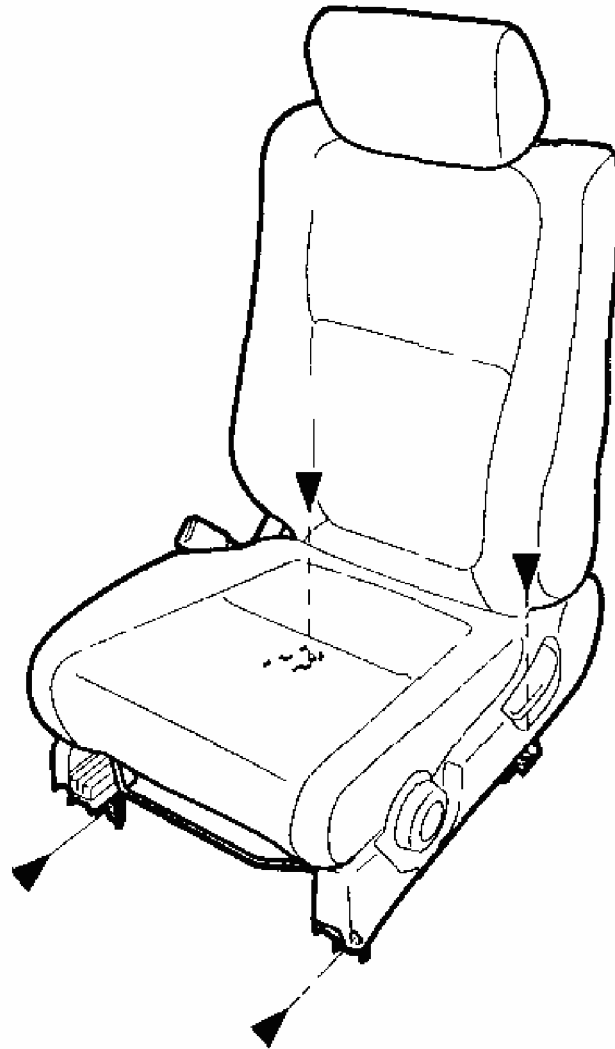
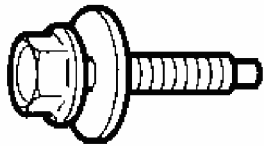
G03679436

Fig. 3: Detaching Clips & Hooks From Door Sill Trim
Courtesy of AMERICAN HONDA MOTOR CO., INC.

6. Remove the bolts securing the front seat.

Fastener Locations

▶ : Bolt, 4



G03679437

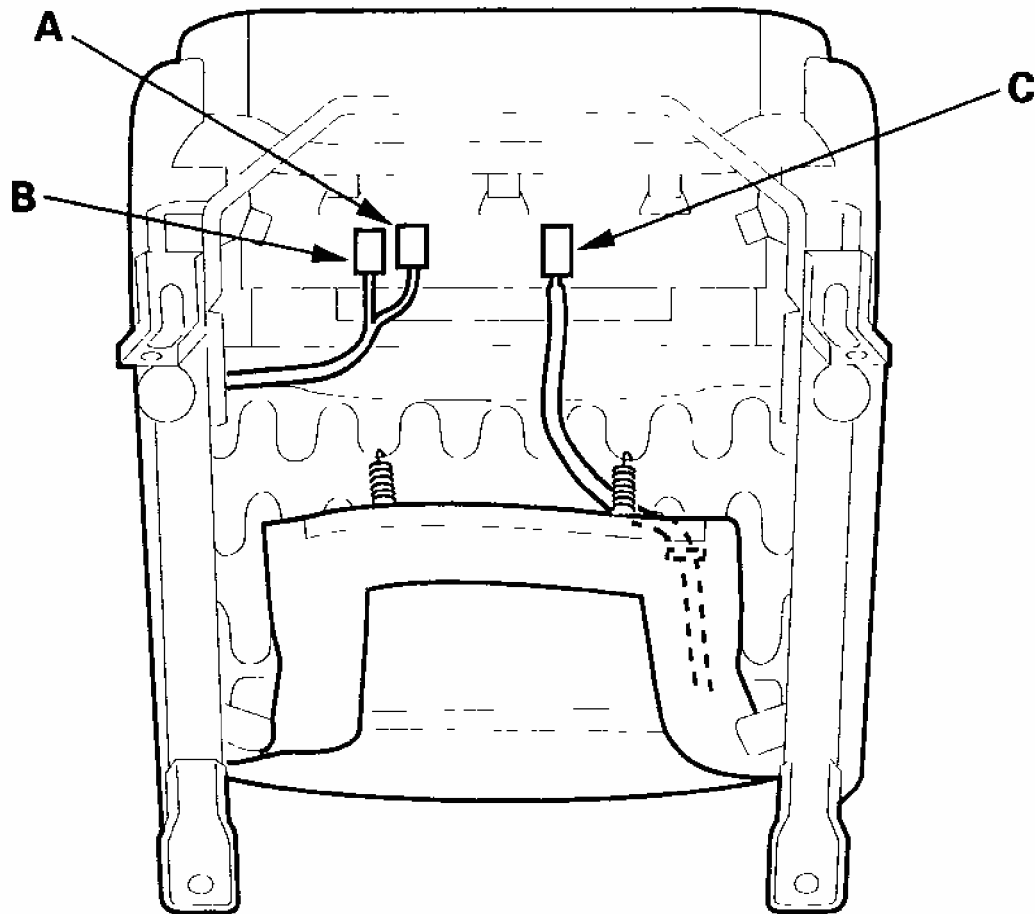
Fig. 4: Removing Bolt Securing Front Seat

Courtesy of AMERICAN HONDA MOTOR CO., INC.

7. Lift up the front seat, then disconnect the seat belt buckle switch connector (A), the seat belt buckle tensioner connector (B), the side airbag connector (C) on some driver's and passenger's seats, and the OPDS unit harness connector (D) on some passenger's seats.

Driver's seat

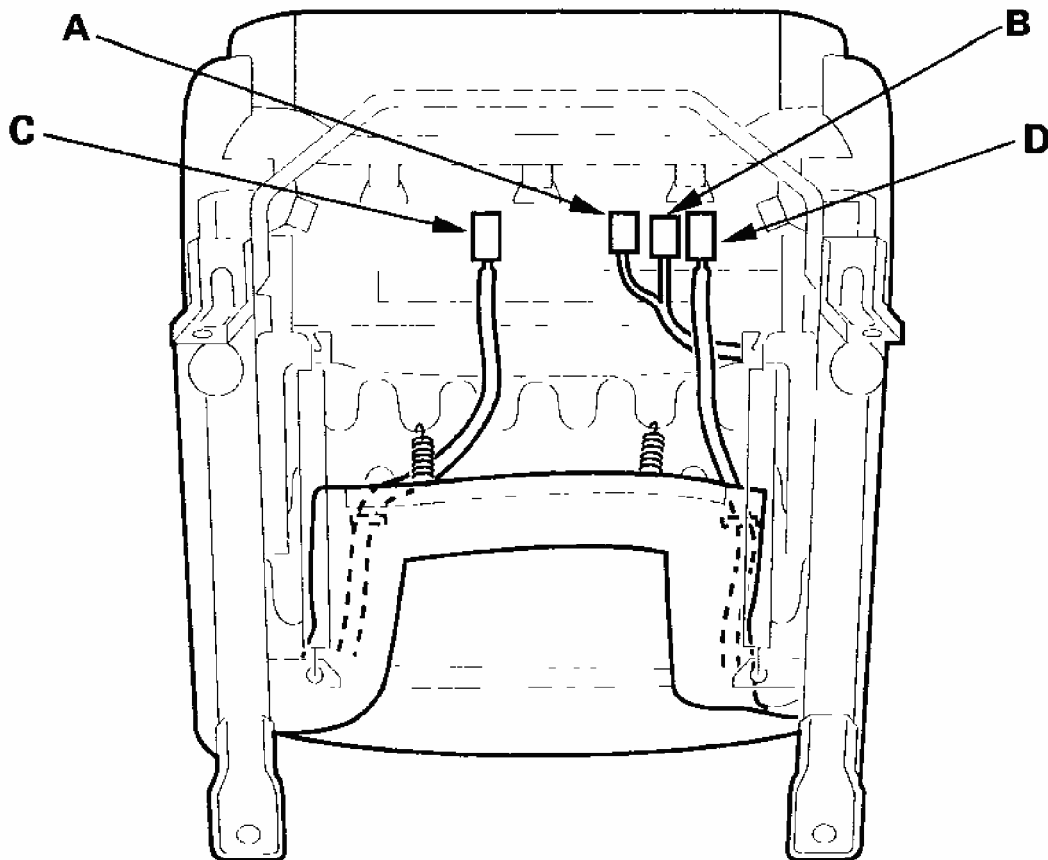
Driver's seat



G03679438

Fig. 5: Removing Seat Belt Buckle Tensioner Connector (Driver Seat)
Courtesy of AMERICAN HONDA MOTOR CO., INC.

Passenger's seat

Passenger's seat

G03679439

Fig. 6: Removing Seat Belt Buckle Tensioner Connector (Passenger Seat)
 Courtesy of AMERICAN HONDA MOTOR CO., INC.

8. Remove the headrest.
9. With the help of an assistant, carefully remove the front seat through the door opening.
10. Install the seat in the reverse order of removal, and note these items:
 - Check for damaged or stress-whitened clips, and replace them with new ones.
 - Make sure each connector is plugged in properly.
 - Apply liquid thread lock to the seat mounting bolts before reinstallation.
 - Tighten the seat mounting bolts to the specified torque in the sequence shown. Slide the seat all the way back and tighten (1) and (2), then slide it forward and tighten (3) and (4).
 - Reconnect the negative cable to the battery.

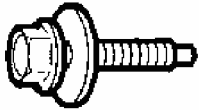
2004 Honda Element DX

2003-06 ACCESSORIES & EQUIPMENT Seats - Element

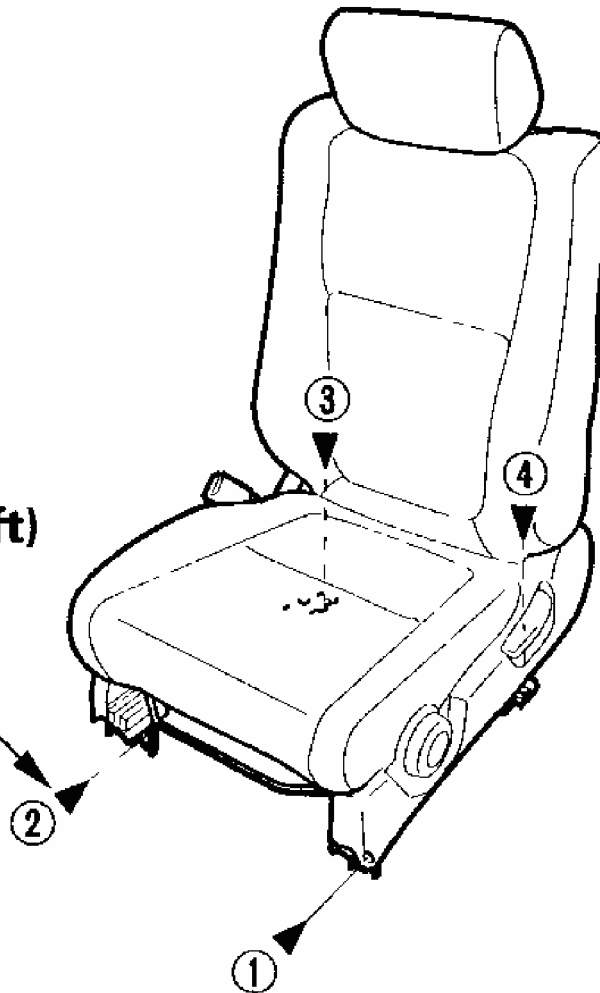
- Enter the anti-theft code for the radio, then enter the audio presets.
- Reset the clock.
- Do the ECM/PCM idle learn procedure (see **ECM/PCM IDLE LEARN PROCEDURE**).
- Do the power window control unit reset procedure (see **RESETTING THE POWER WINDOW CONTROL UNIT**).

Fastener Locations

▶ : Bolt, 4



10 x 1.25 mm
34 N·m
(3.5 kgf·m, 25 lbf·ft)



G03679440

Fig. 7: Tightening Seat Bolts And Torque Specifications
Courtesy of AMERICAN HONDA MOTOR CO., INC.

FRONT SEAT DISASSEMBLY/REASSEMBLY - DRIVER'S SEAT

Special Tools Required

KTC trim tool set SOJATP2014 *

* Available through the American Honda Tool and Equipment Program; call 888-424-6857

For some models: SRS components are located in this area. Review the SRS component locations (see **COMPONENT LOCATION INDEX**) and the precautions and procedures (see **PRECAUTIONS AND PROCEDURES**) before performing repairs or service.

NOTE:

- Take care not to tear the seams or damage the seat covers.
- Put on gloves to protect your hands.
- Use the appropriate tool from the KTC trim tool set to avoid damage when prying components.
- For seat cushion removal and installation procedures, refer to Front Seat Cover Replacement (see **FRONT SEAT COVER REPLACEMENT**).
- Apply multipurpose grease to the moving portion of the seat track.
- To prevent wrinkles in the seat cushion cover, stretch the material evenly over the pad.

2004 Honda Element DX

2003-06 ACCESSORIES & EQUIPMENT Seats - Element

- For seat cushion removal and installation procedures, refer to **Front Seat Cover Replacement (see FRONT SEAT COVER REPLACEMENT)**.
- Apply multipurpose grease to the moving portion of the seat track.
- To prevent wrinkles in the seat cushion cover, stretch the material evenly over the pad.

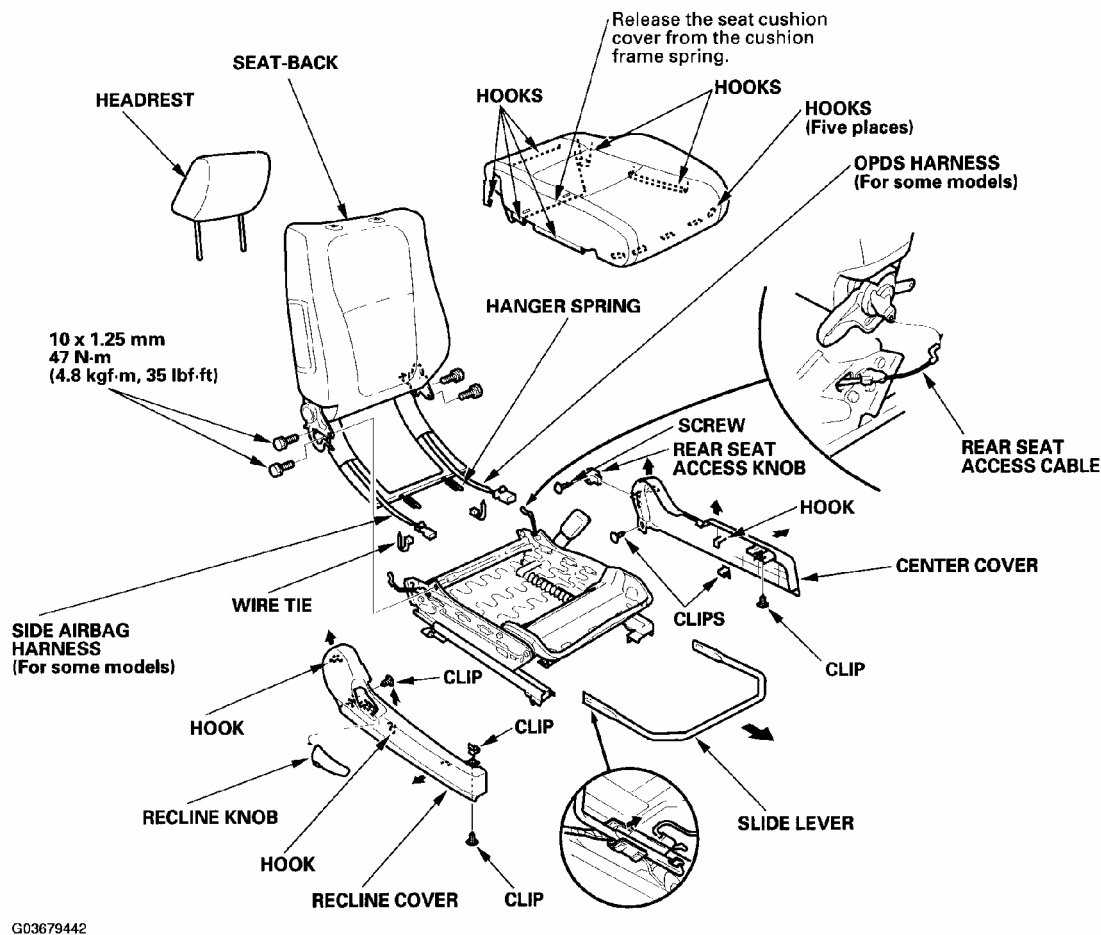


Fig. 9: Exploded View Of Passenger's Seat
Courtesy of AMERICAN HONDA MOTOR CO., INC.

FRONT SEAT ARMREST REPLACEMENT - DRIVER'S SEAT

'03 MODEL

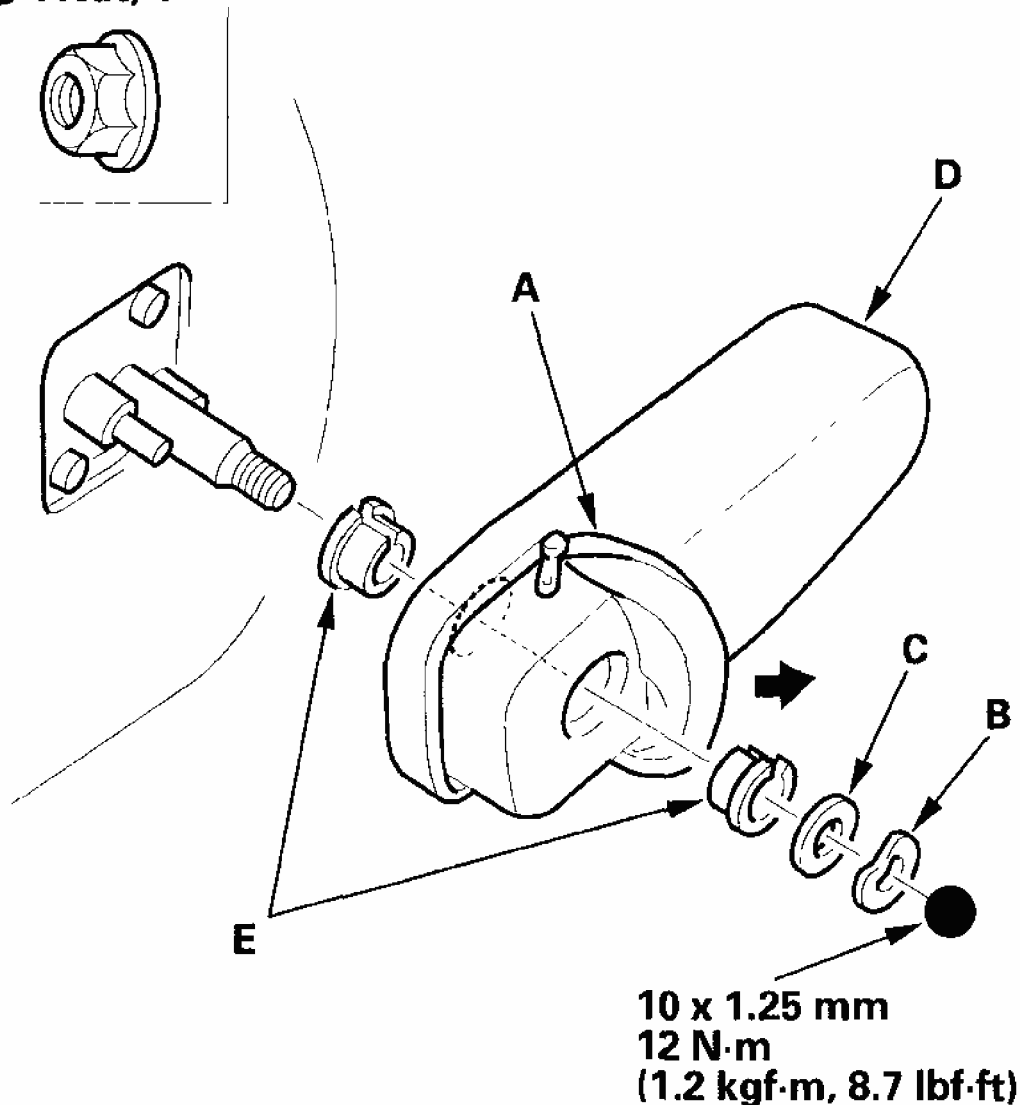
NOTE: Take care not to tear the seams or damage the seat covers.

For Some Models

1. Unzip the armrest cover (A), and pull back the armrest cover.

Fastener Location

● : Nut, 1



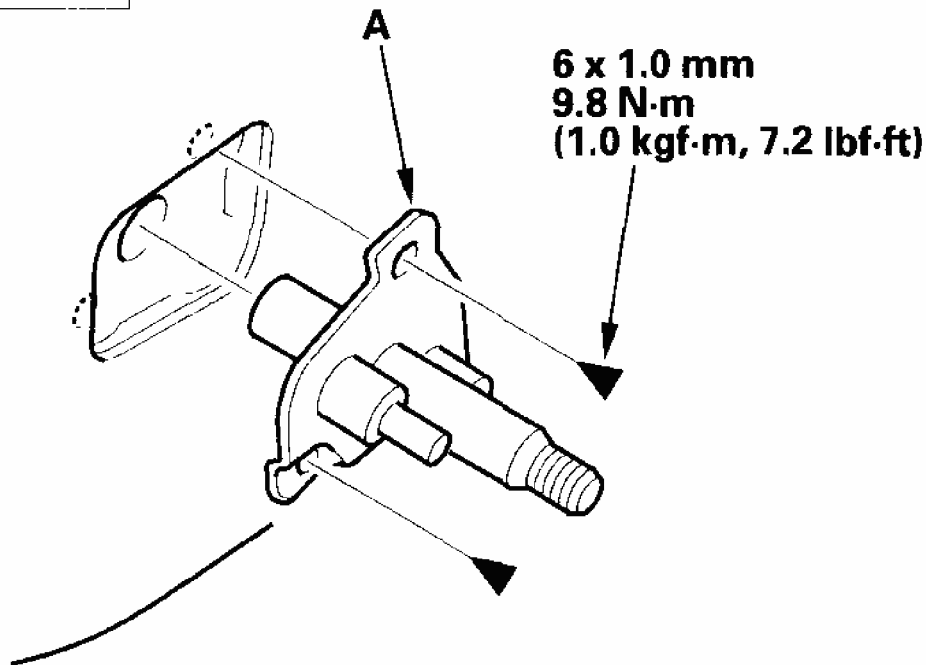
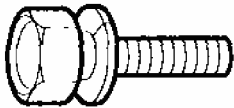
G03679443

Fig. 10: Removing Armrest Cover And Torque Specifications
Courtesy of AMERICAN HONDA MOTOR CO., INC.

2. Remove the nut, the wave washer (B), and the washer (C), then remove the armrest (D). If necessary, remove the bushings (E) from the armrest.
3. Remove the bolts, then remove the armrest bracket (A).

Fastener Locations

▶ : Bolt, 2



G03679444

Fig. 11: Removing Armrest Bracket (03 Model) And Torque Specifications
Courtesy of AMERICAN HONDA MOTOR CO., INC.

4. Install the armrest in the reverse order of removal, and note these items:
 - Apply liquid thread lock to the threads on the armrest bracket.
 - Install the armrest cover so that when the zipper is closed, the zipper pull is under the armrest.

FRONT SEAT ARMREST REPLACEMENT - DRIVER'S SEAT/PASSENGER'S SEAT

'04-06 MODELS

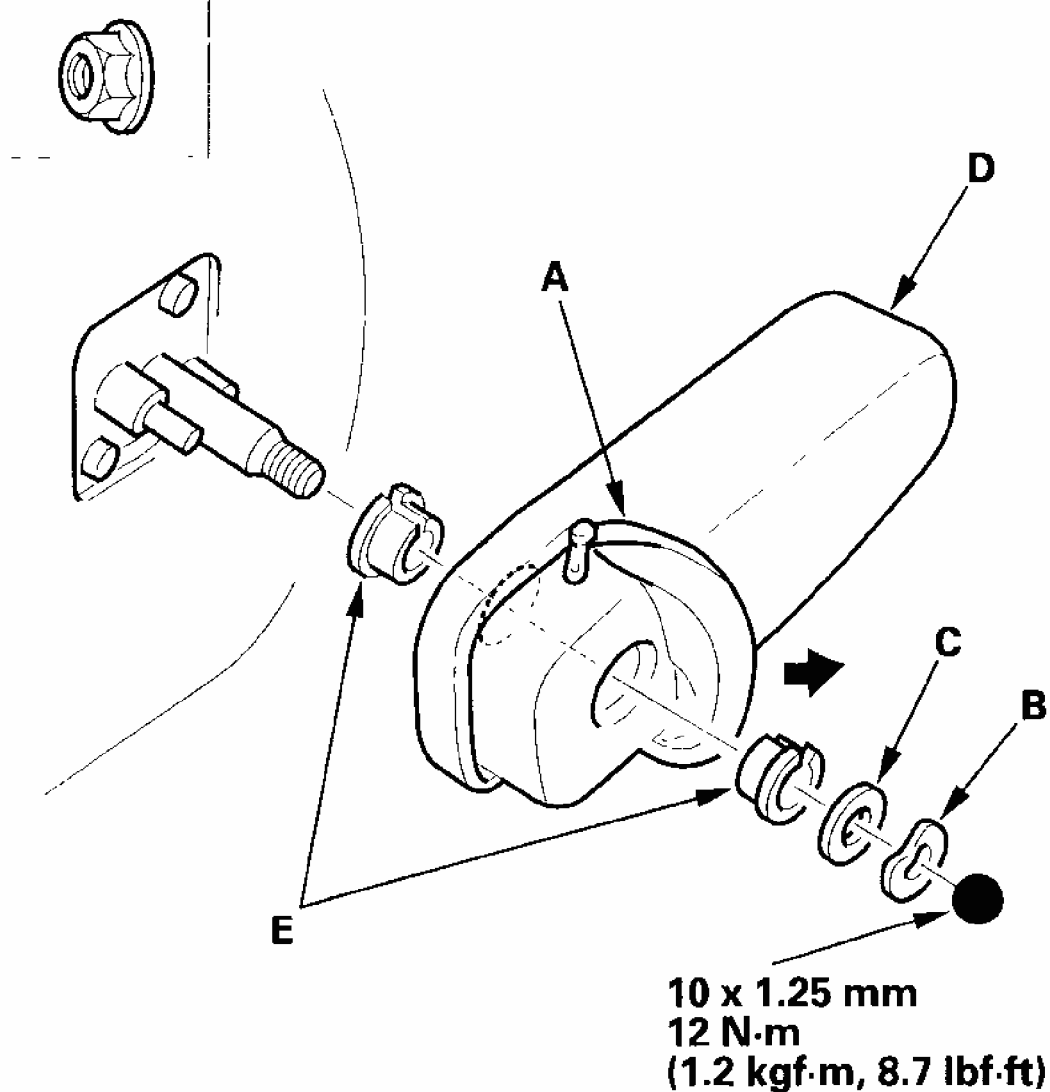
NOTE: Take care not to tear the seams or damage the seat covers.

For Some Models

1. Unzip the armrest cover (A), and pull back the armrest cover.

Fastener Location

● : Nut, 1



G03679445

Fig. 12: Removing Armrest Cover And Torque Specifications
Courtesy of AMERICAN HONDA MOTOR CO., INC.

2. Remove the nut, the wave washer (B), and the washer (C), then remove the armrest (D). If necessary, remove the bushings (E) from the armrest.

3. Remove the bolts, then remove the armrest bracket (A).

Fastener Locations

▶ : Bolt, 2

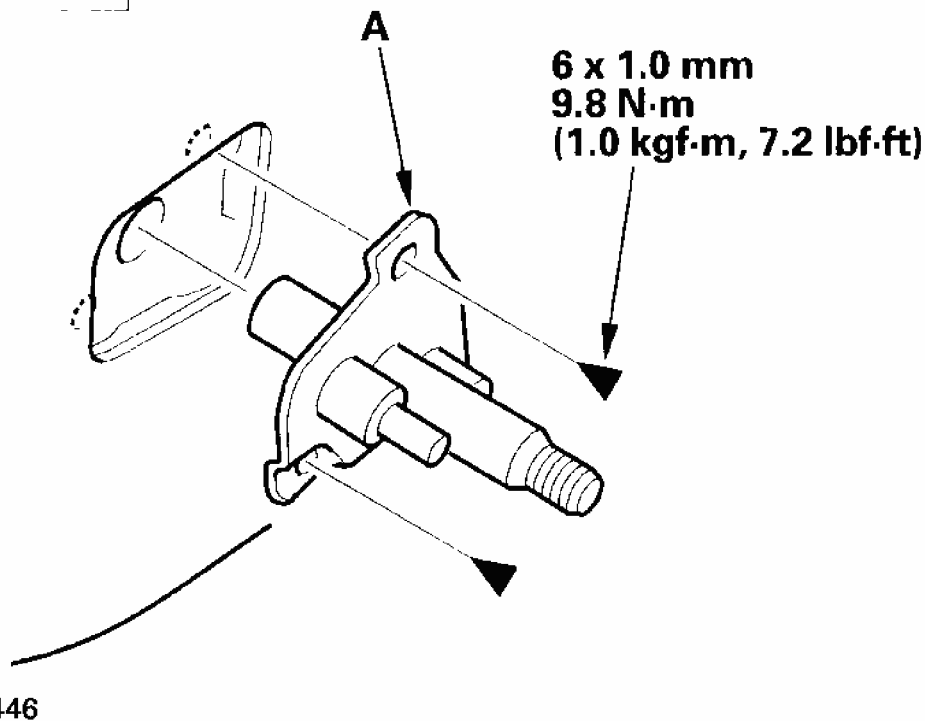
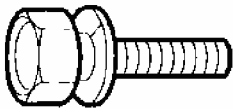


Fig. 13: Removing Armrest Bracket And Torque Specifications
Courtesy of AMERICAN HONDA MOTOR CO., INC.

4. Install the armrest in the reverse order of removal.

FRONT SEAT COVER REPLACEMENT

For some models: SRS components are located in this area. Review the SRS component locations (see **COMPONENT LOCATION INDEX**) and the precautions and procedures (see **PRECAUTIONS AND PROCEDURES**) before performing repairs or service.

NOTE:

- Take care not to tear the seams or damage the seat covers.
- On the passenger's seat with side airbag, do not touch the

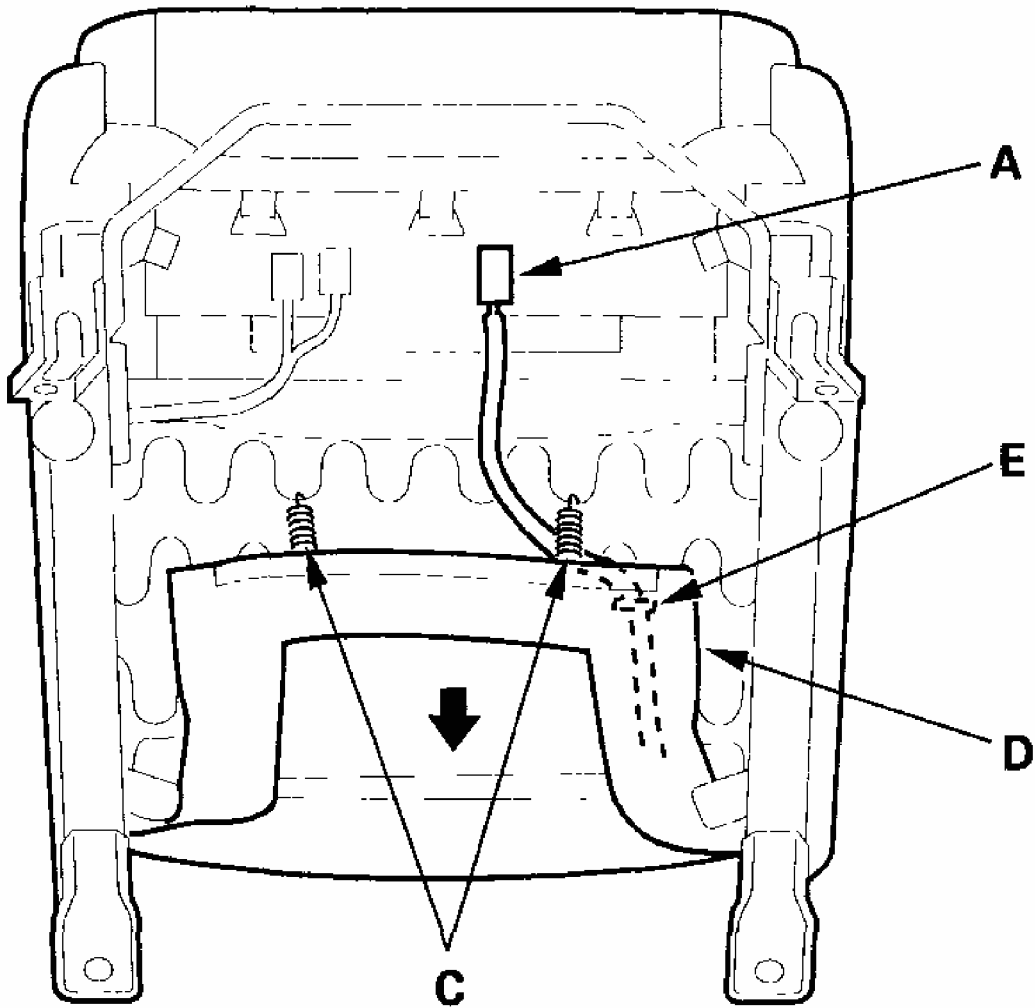
OPDS sensor in the seat-back pad, and keep it away from oil. Oil can corrode the sensor causing it to fail.

- **Put on gloves to protect your hands.**

SEAT-BACK COVER

1. Remove the front seat (see **FRONT SEAT REMOVAL/INSTALLATION**).
2. Remove the armrest:
 - '03 model (see **'03 MODEL**)
 - '04-06 models (see **'04-06 MODELS**)
3. With side airbag: From under the seat cushion, detach the side airbag connector clip (A), and from under the passenger's seat cushion, then detach the OPDS unit connector clip (B). Release the hook springs (C), pull the seat cushion cover (D) back, then remove the harness bands (E).

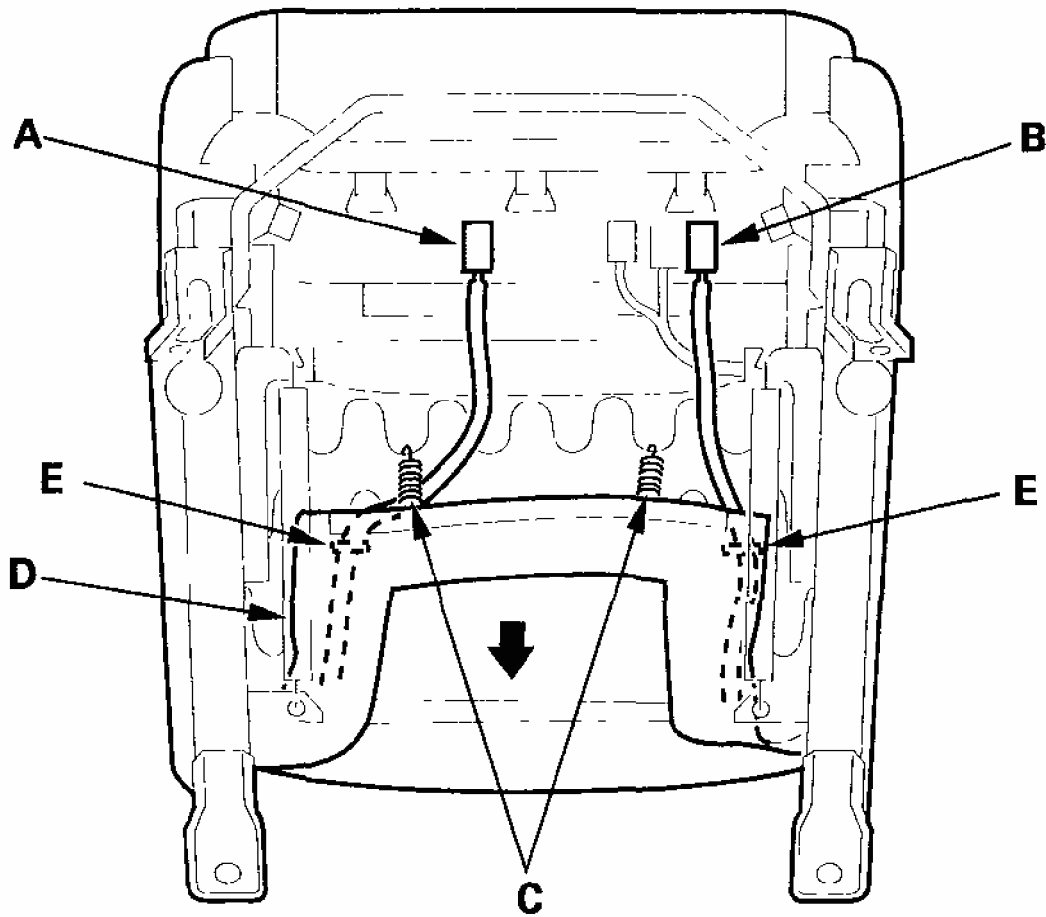
Driver's



G03679447

Fig. 14: Pulling Seat Cushion Cover (Driver's)
Courtesy of AMERICAN HONDA MOTOR CO., INC.

Passenger's

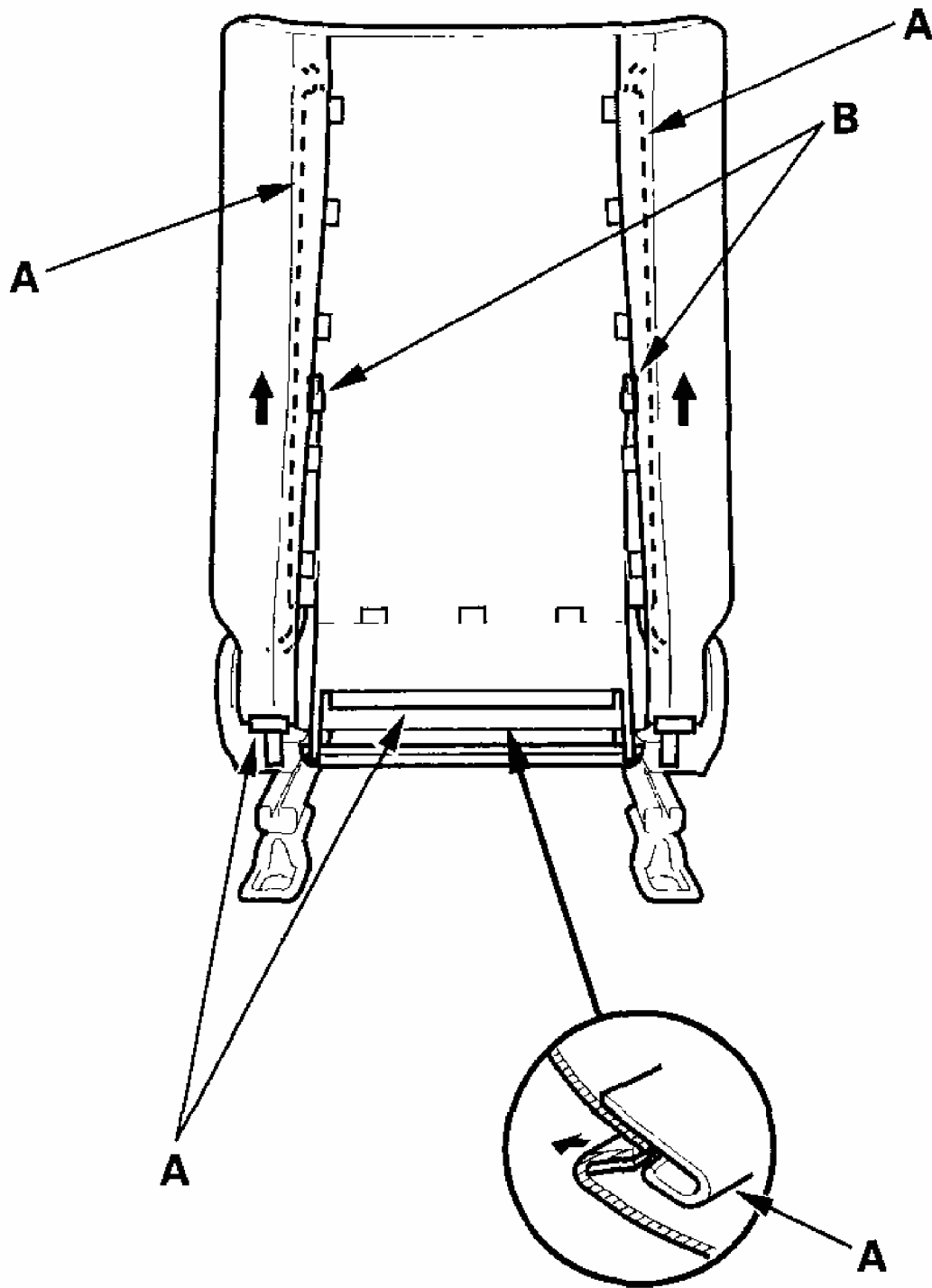


G03679448

Fig. 15: Pulling Seat Cushion Cover (Passenger's)
Courtesy of AMERICAN HONDA MOTOR CO., INC.

4. Fold the seat-back forward.
5. Release the hooks (A), and with seat-back loops, unzip the seat-back cover (B). It is not necessary to remove a seat-back bungee cord from the loops if the cover will be reinstalled.

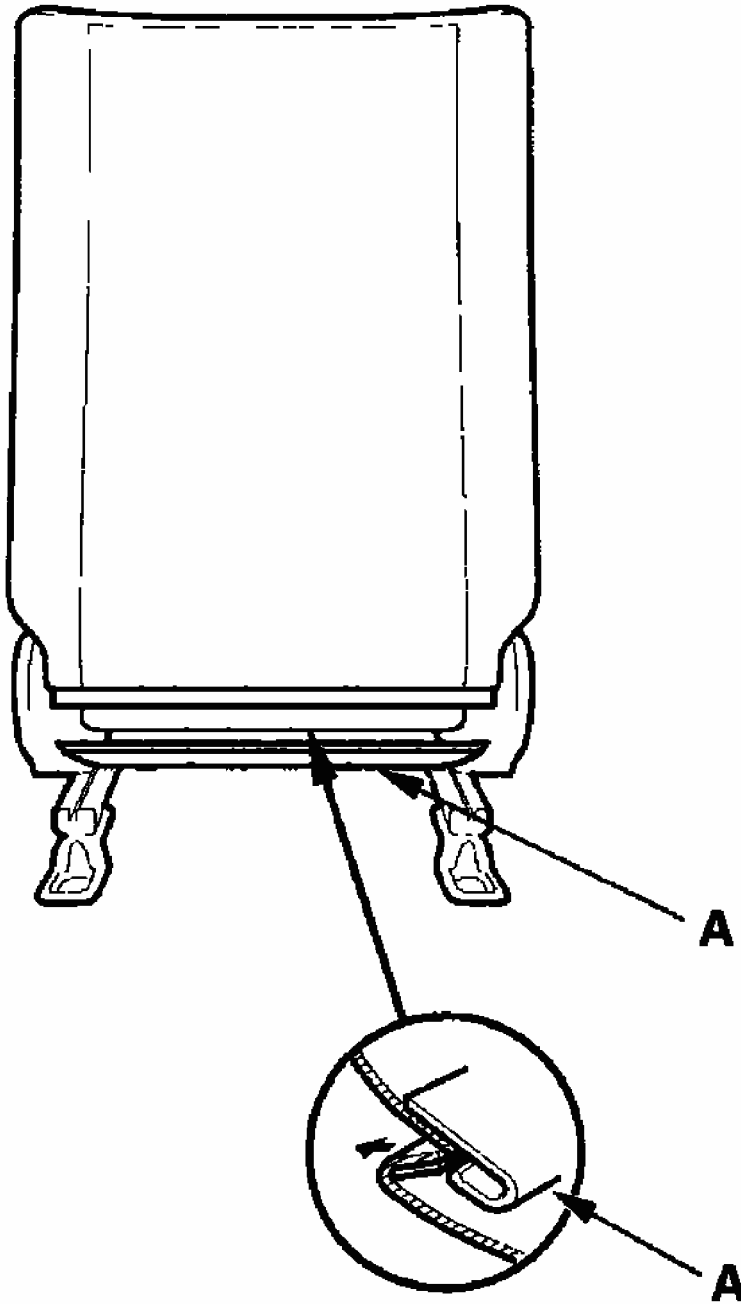
With seat-back loops



G03679449

Fig. 16: Releasing Hooks With Seat-Back Loops
Courtesy of AMERICAN HONDA MOTOR CO., INC.

Without seat-back loops

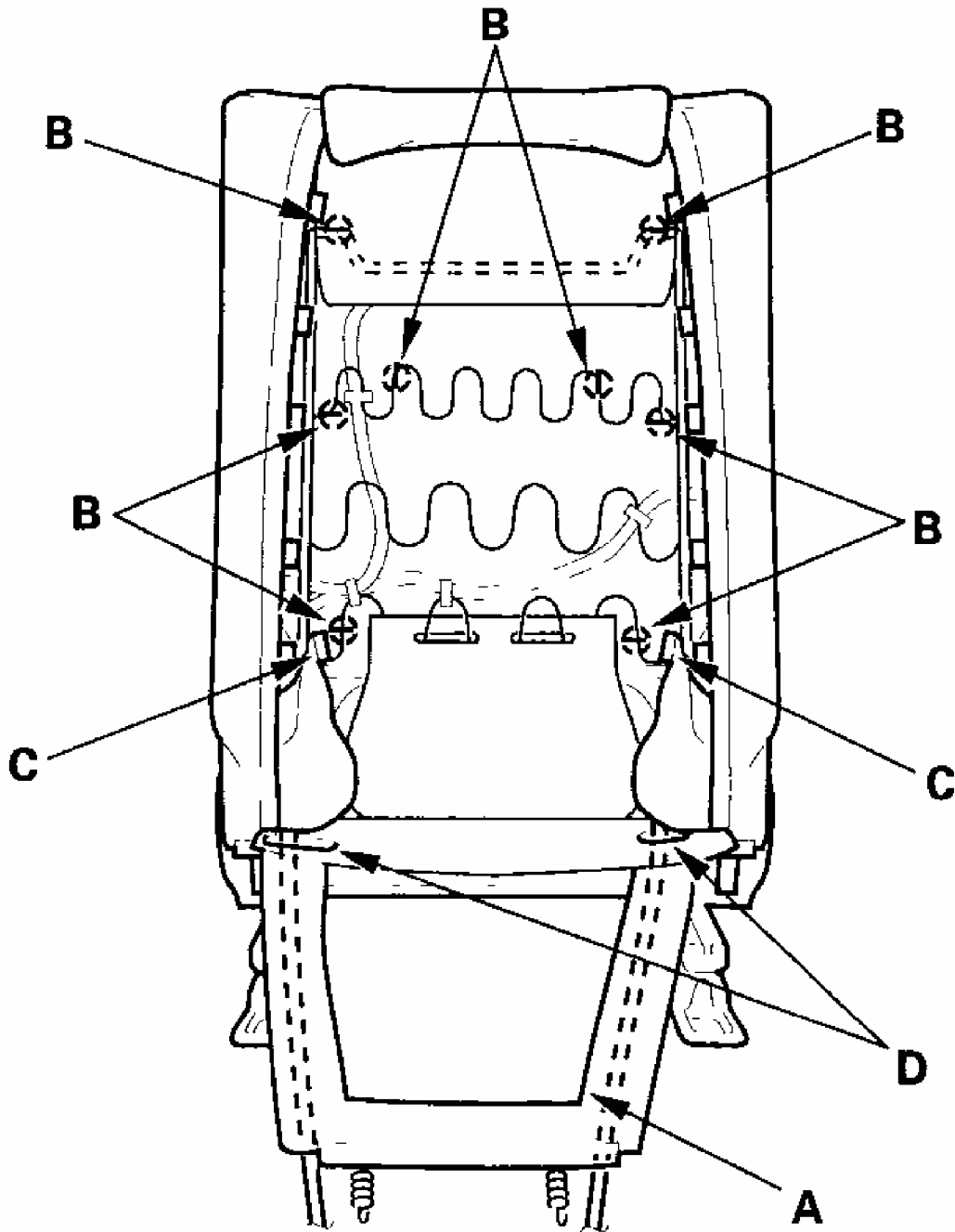


G03679450

Fig. 17: Releasing Hooks Without Seat-Back Loops
Courtesy of AMERICAN HONDA MOTOR CO., INC.

6. Turn over the seat back cover (A), release the inside springs (B) and hooks (C). With side airbag: Pull the side airbag harness and the OPDS harness (passenger's seat) out

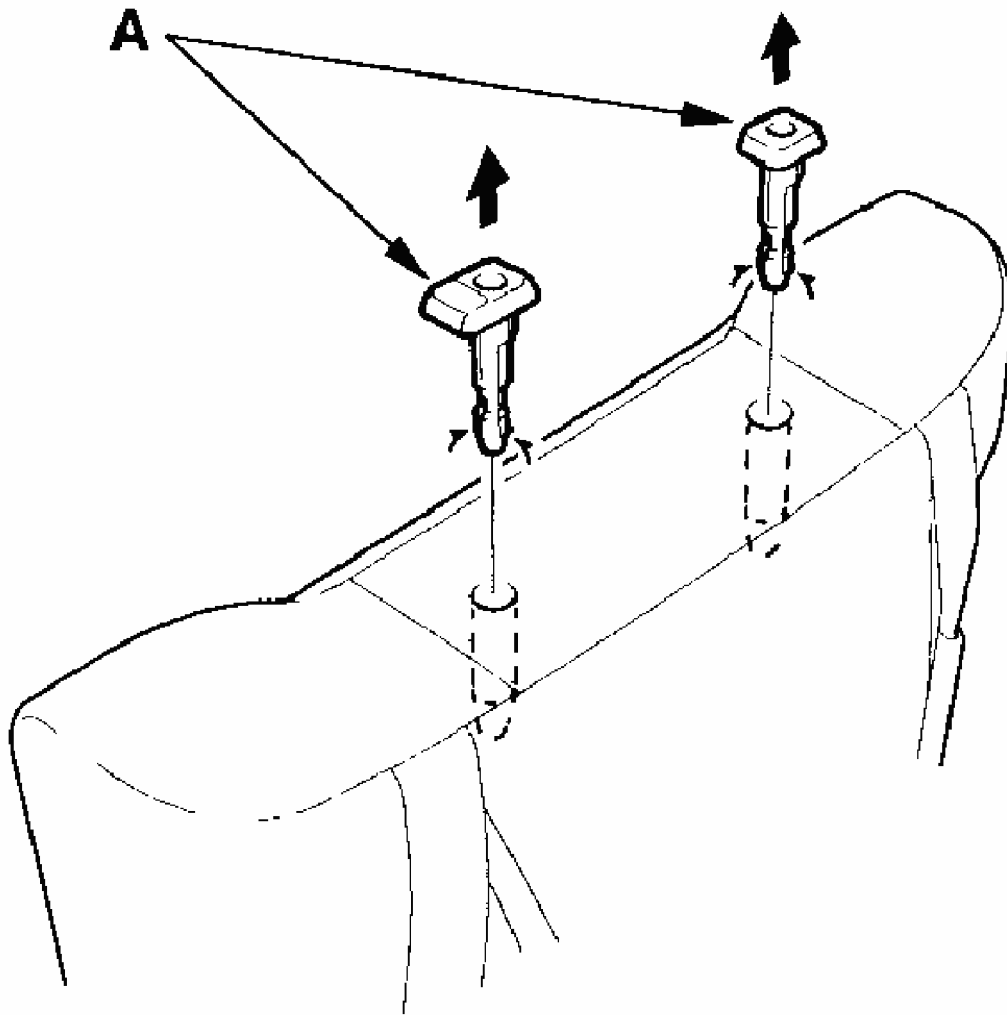
through a holes (D) in the seat-back cover.



G03679451

Fig. 18: Releasing Seat Back Cover Springs And Hooks
Courtesy of AMERICAN HONDA MOTOR CO., INC.

7. With side airbag: Remove the side airbag (see step 4 on **REMOVAL**).
8. Pull out the headrest guides (A) while pinching the end of the guides, and remove them.



G03679452

Fig. 19: Pulling Out Headrest Guides
Courtesy of AMERICAN HONDA MOTOR CO., INC.

9. Pull back the seat-back cover all the way around, then remove it.
10. Install the cover in the reverse order of removal, and note these items:
 - To prevent wrinkles when installing a seat-back cover, make sure the material is stretched evenly over the pad before securing the clips, hooks, and inside springs.
 - Make sure the side airbag harness and seat sub-harness (passenger's seat) are

routed properly.

- For some models: Reinitialize the OPDS unit (see **INITIALIZING THE OPDS (OCCUPANT POSITION DETECTION SYSTEM) UNIT WITH HDS**).

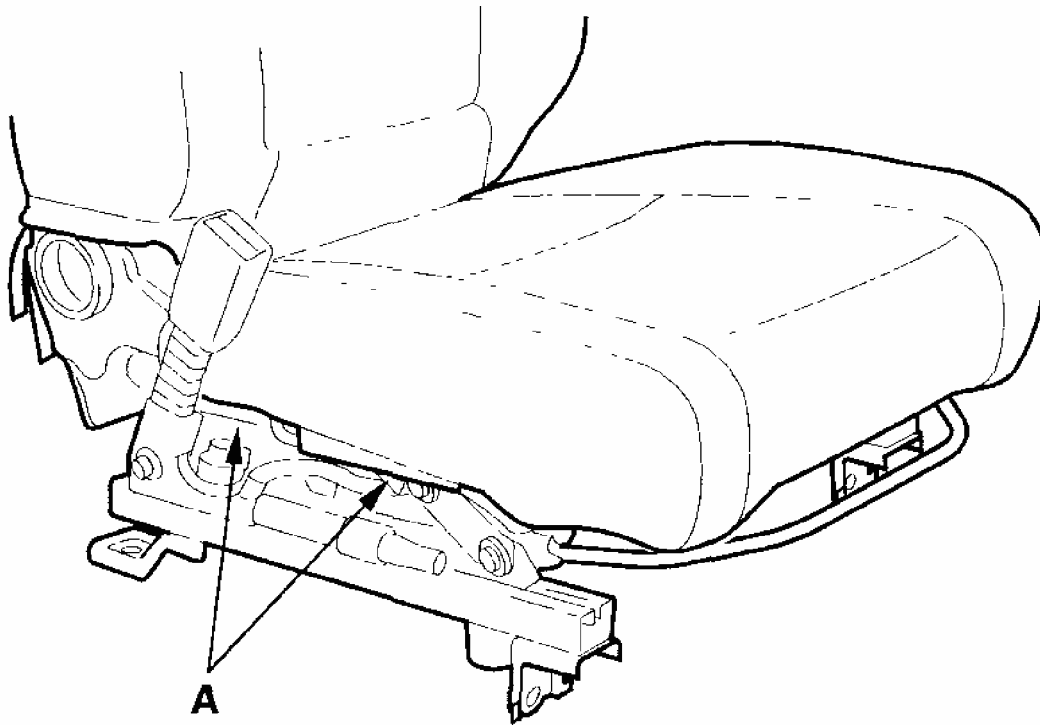
SEAT CUSHION COVER

1. Remove the front seat (see **FRONT SEAT REMOVAL/INSTALLATION**).
2. Remove these items from the front seat:
 - Recline cover, driver's seat (see **FRONT SEAT DISASSEMBLY/REASSEMBLY - DRIVER'S SEAT**) passenger's seat (see **FRONT SEAT DISASSEMBLY/REASSEMBLY - PASSENGER'S SEAT**)
 - Center cover, driver's seat (see **FRONT SEAT DISASSEMBLY/REASSEMBLY - DRIVER'S SEAT**), passenger's seat (see **FRONT SEAT DISASSEMBLY/REASSEMBLY - PASSENGER'S SEAT**)
3. With side airbag: From under the seat cushion, detach the side airbag connector clip, and from under the passenger's seat, disconnect the OPDS harness connector, and detach the clips. Release the hook springs from the seat cushion frame spring, then pull the cover back, and remove the harness bands.
4. Release the hooks (A).

Inside

2004 Honda Element DX

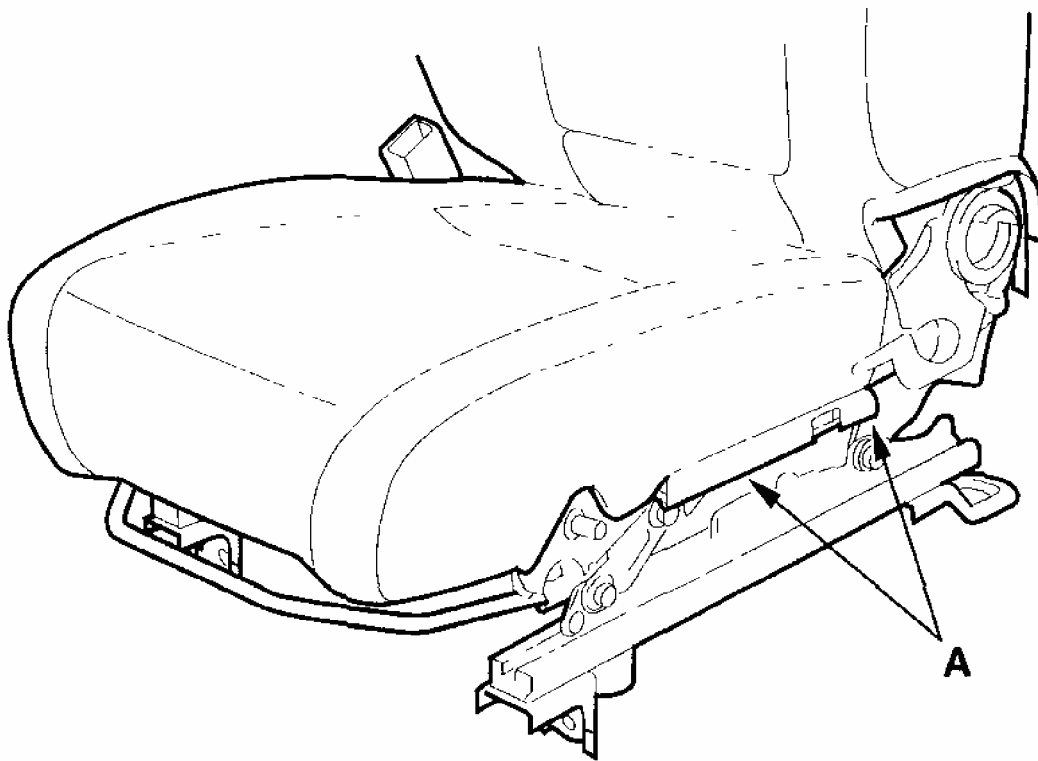
2003-06 ACCESSORIES & EQUIPMENT Seats - Element



G03679453

Fig. 20: Releasing Front Seat Cushion Cover (Inside)
Courtesy of AMERICAN HONDA MOTOR CO., INC.

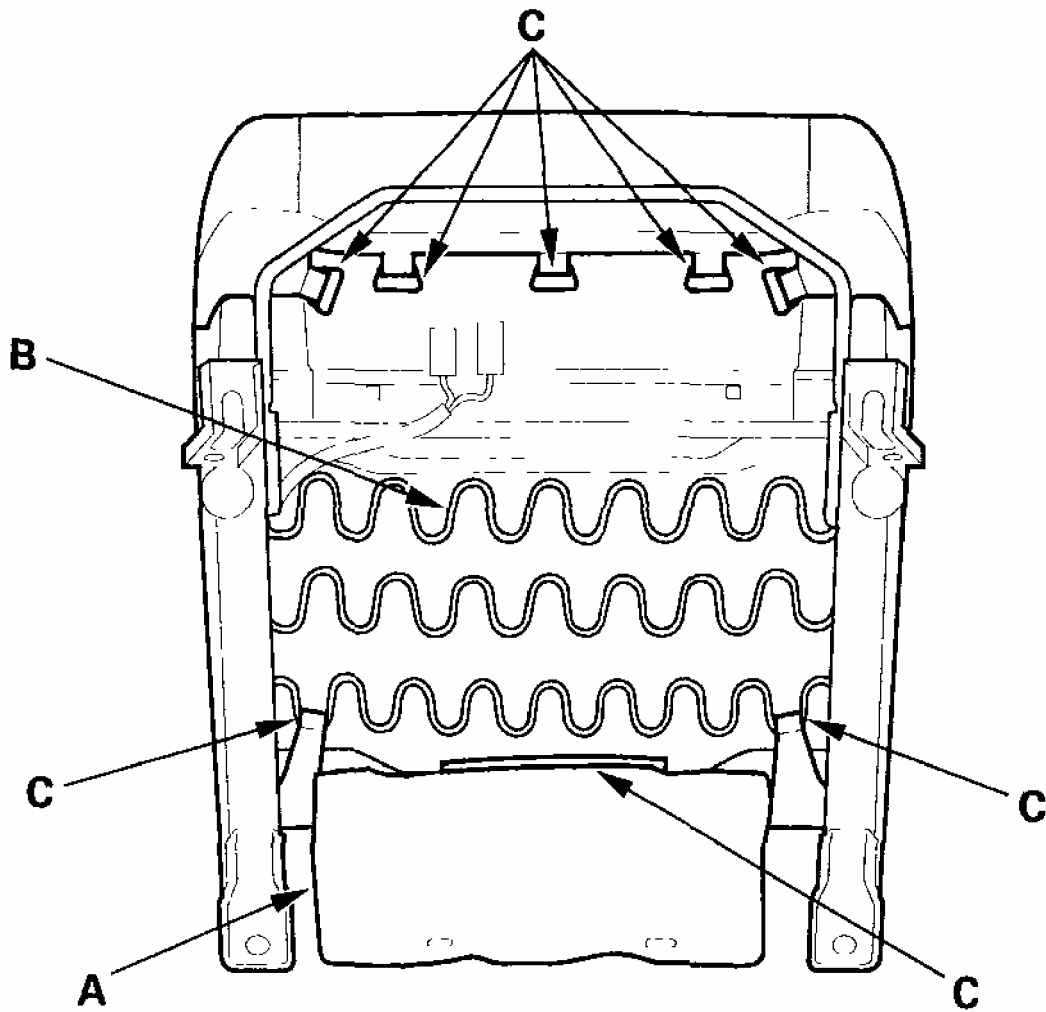
Outside



G03679454

Fig. 21: Releasing Front Seat Cushion Cover (Outside)
Courtesy of AMERICAN HONDA MOTOR CO., INC.

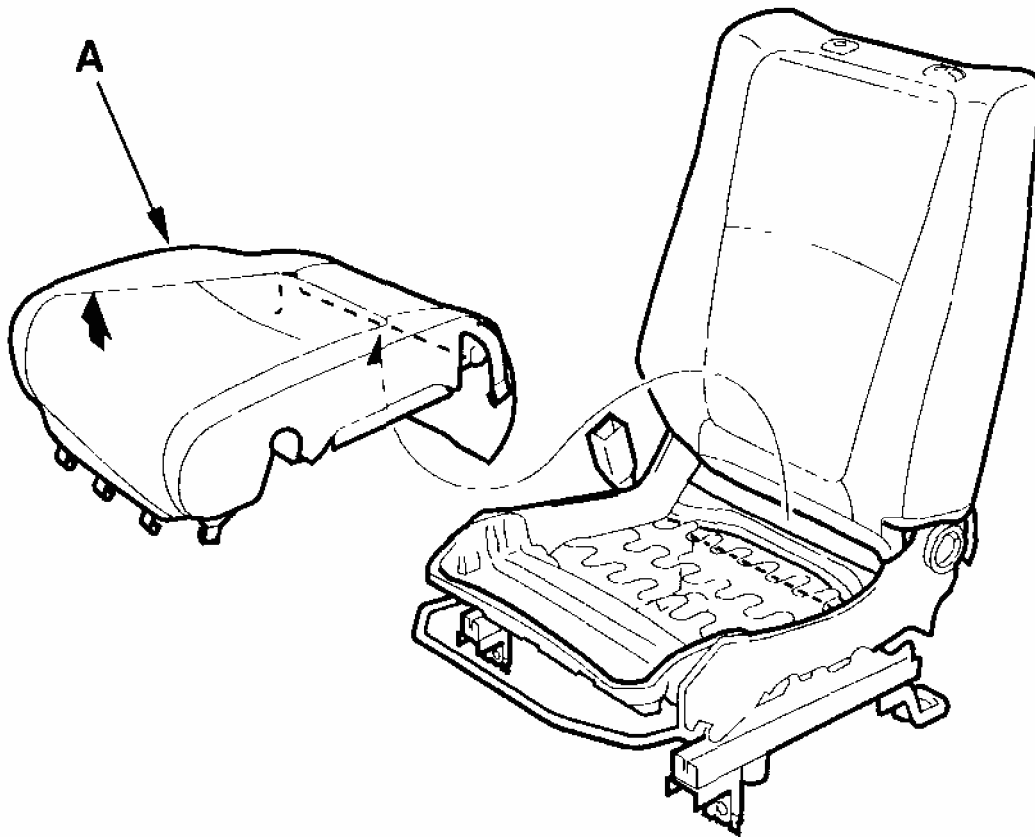
5. From under the seat cushion, release the seat cushion cover (A) from the seat cushion frame spring (B), and release the hooks (C).



G03679455

Fig. 22: Removing Hooks From Seat Cushion Frame Spring
Courtesy of AMERICAN HONDA MOTOR CO., INC.

6. Remove the seat cushion cover (A) with the seat cushion pad from the seat cushion frame.

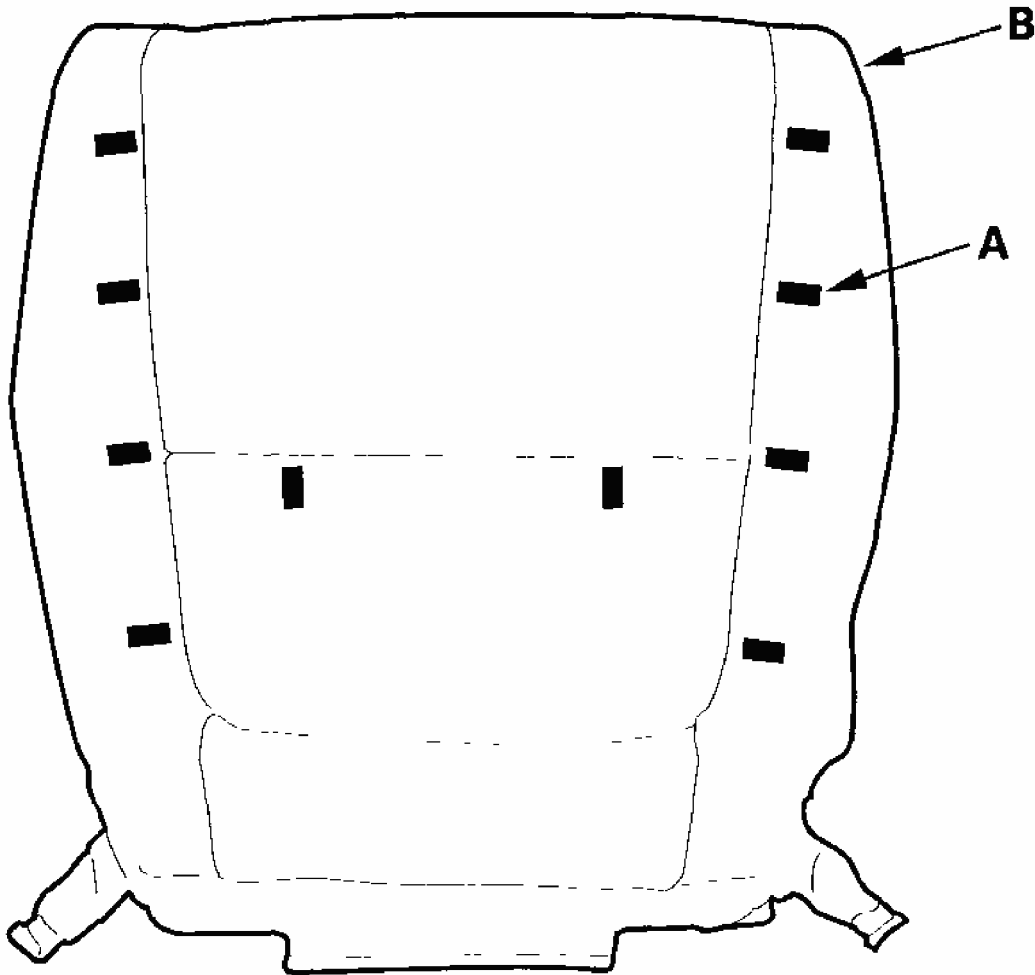


G03679456

Fig. 23: Pulling Seat Cushion Cover With Seat Cushion Pad From Seat Cushion Frame

Courtesy of AMERICAN HONDA MOTOR CO., INC.

7. Pull back the edge of the seat cushion cover all the way around, and release the clips (A), then remove the seat cushion cover (B).

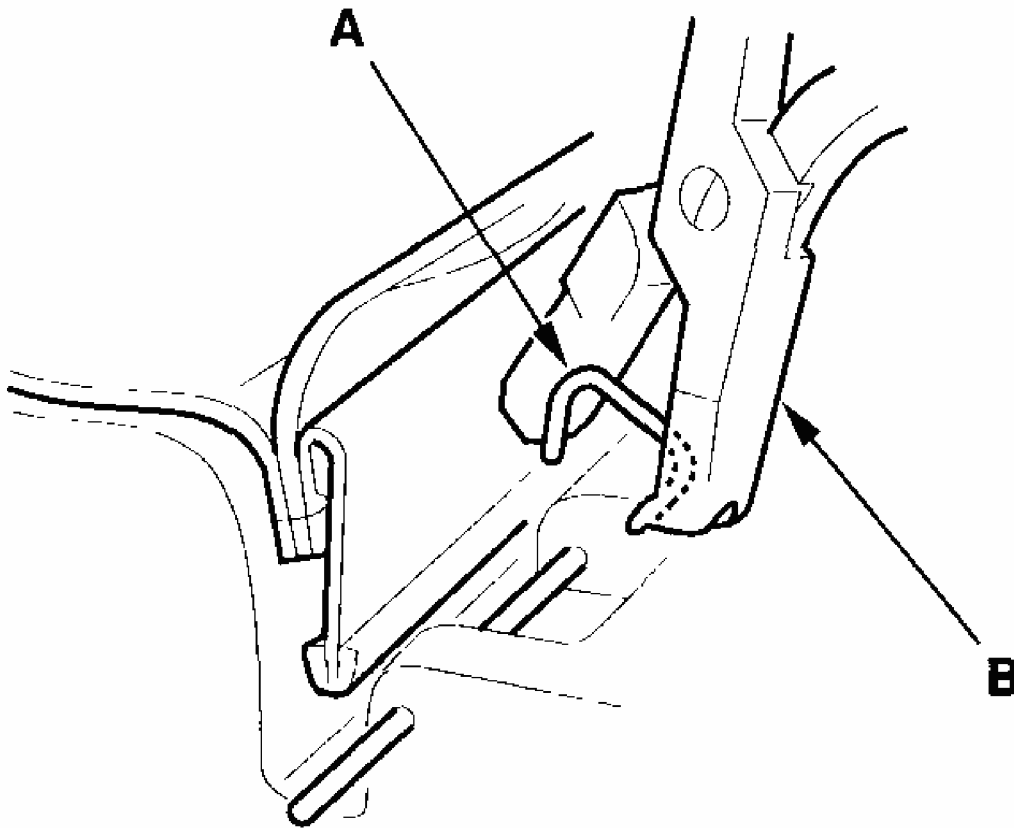


G03679457

Fig. 24: Identifying Seat Cushion Cover

Courtesy of AMERICAN HONDA MOTOR CO., INC.

8. Install the cover in the reverse order of removal, and note these items:
 - To prevent wrinkles when installing a seat cushion cover, make sure the material is stretched evenly over the pad before securing the clips and hooks.
 - Make sure the side airbag harness and seat subharness (passenger's seat) are routed properly.
 - Replace any clips you removed with new ones (A). Install them with commercially available upholstery ring pliers (B).



G03679458

Fig. 25: Installing Upholstery Ring Pliers

Courtesy of AMERICAN HONDA MOTOR CO., INC.

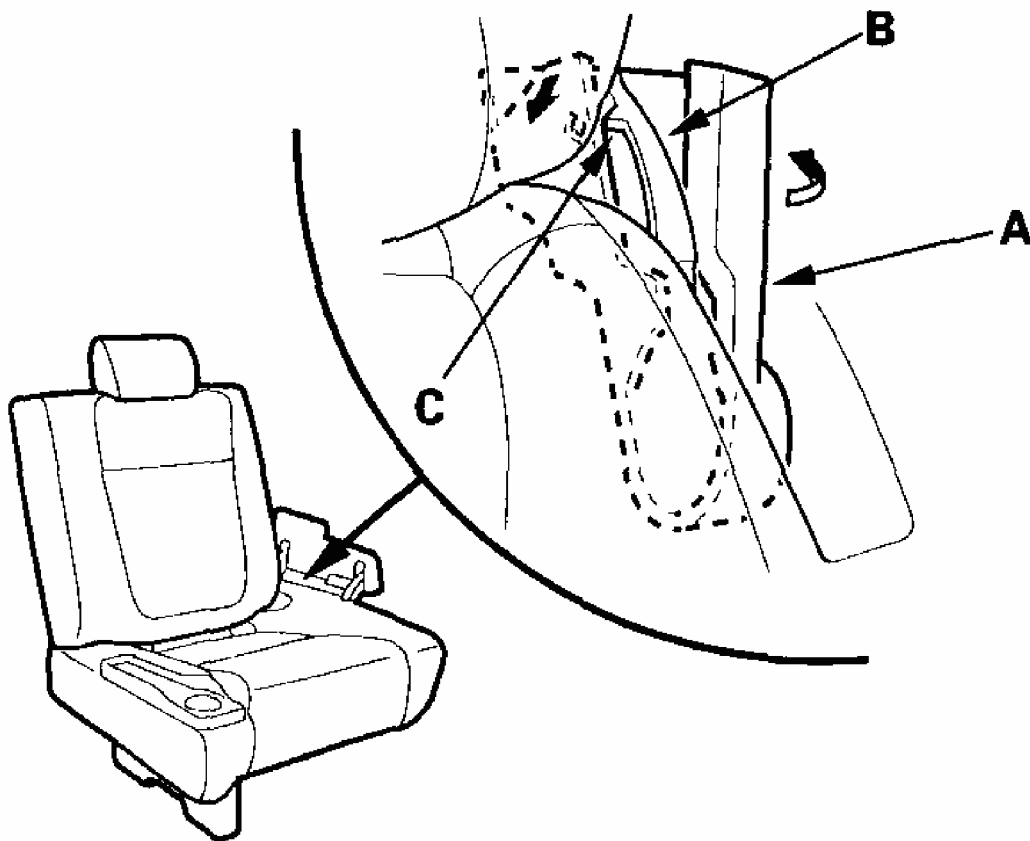
REAR SEAT DISASSEMBLY/REASSEMBLY

NOTE:

- Put on gloves to protect your hands.
- Take care not to tear the seams or damage the seat covers.

SEAT-BACK REMOVAL/INSTALLATION

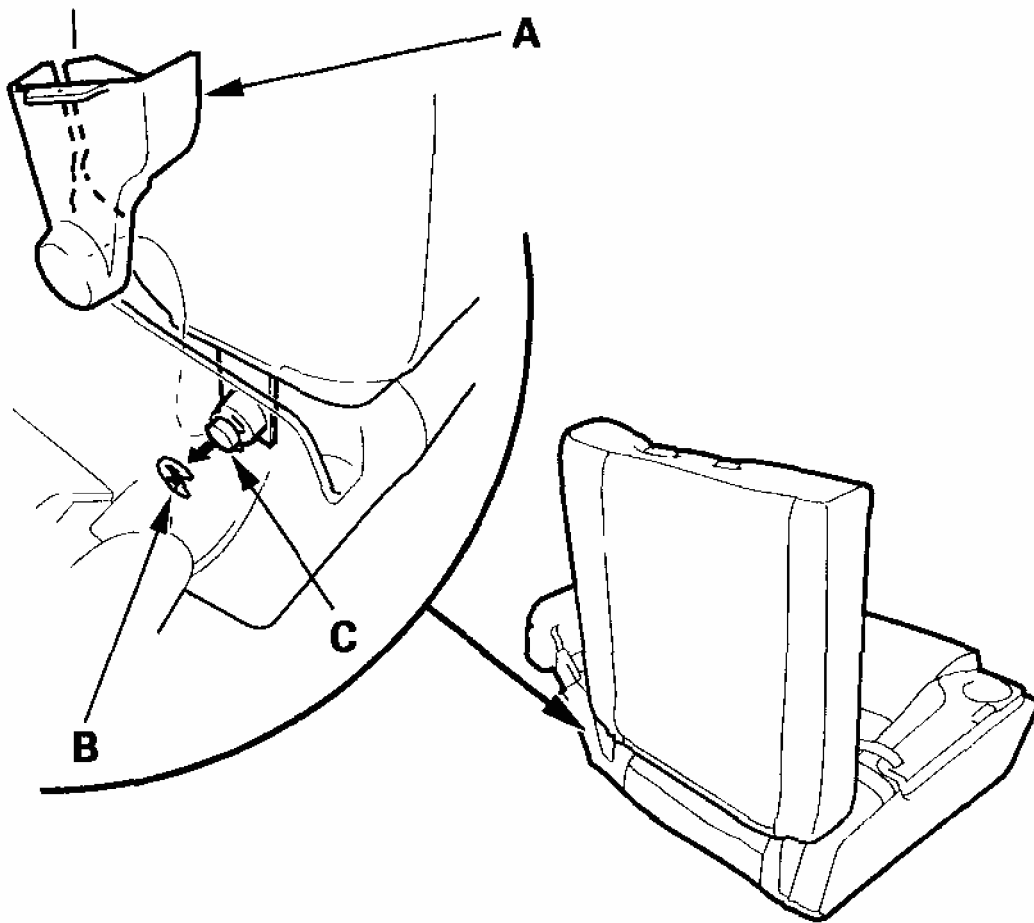
1. Fold the seat-back rearward.
2. Pull the pivot bracket cover (A) away from the pivot bracket (B), and release the hooks (C).



G03679459

Fig. 26: Removing Seat-Back Pivot Bracket
Courtesy of AMERICAN HONDA MOTOR CO., INC.

3. Fold the seat-back forward.
4. Remove the pivot bracket cover (A), and remove the E clip (B) from the center pivot (C).



G03679460

Fig. 27: Removing Pivot Bracket Cover

Courtesy of AMERICAN HONDA MOTOR CO., INC.

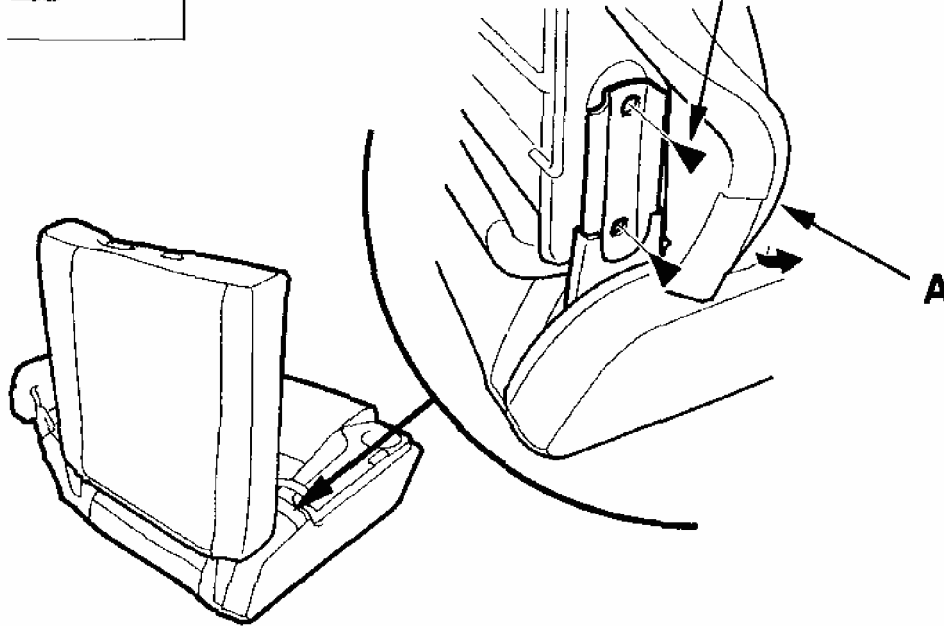
5. Release the hook strip, and with seat-back loops, unzip the seat-back cover (see step 3), then pull back the cover.
6. Pull back the seat-back pad (A), and remove the bolts.

Fastener Locations

▶ : Bolt, 2



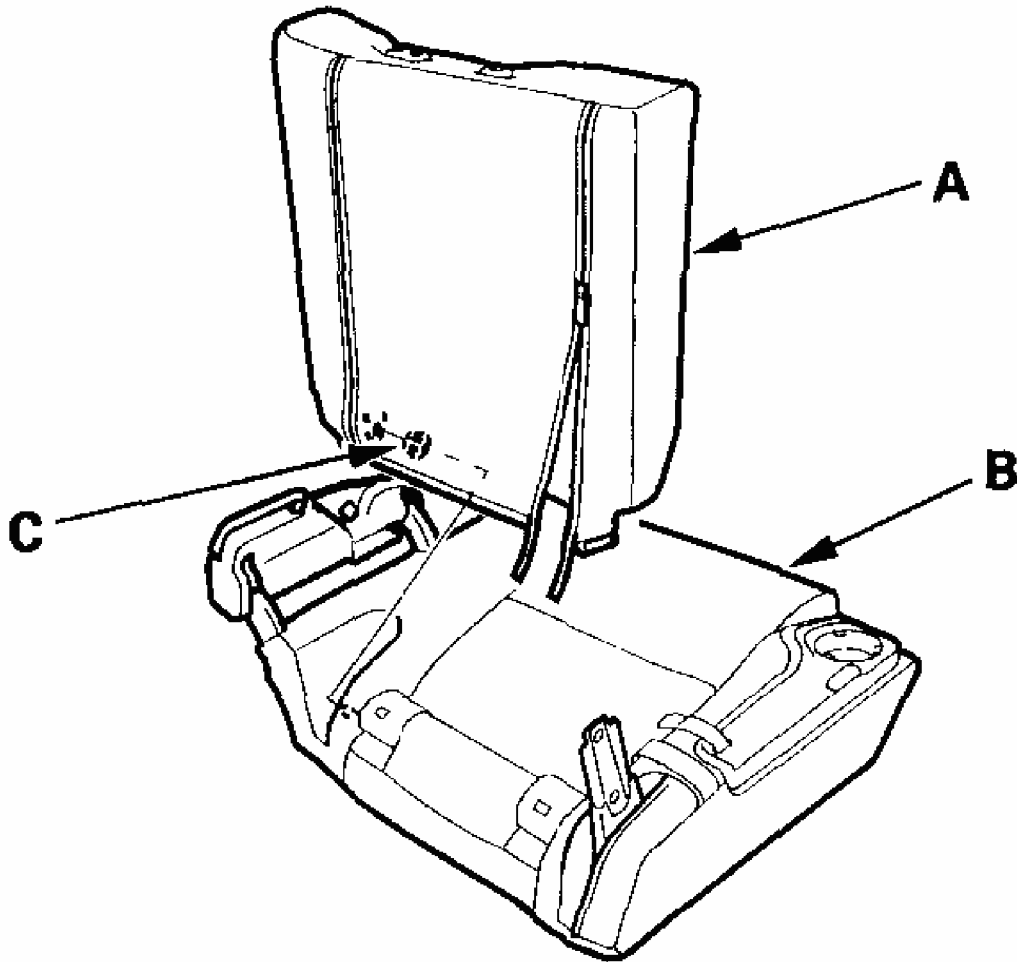
**10 x 1.25 mm
47 N·m
(4.8 kgf·m,
35 lbf·ft)**



G03679461

Fig. 28: Removing Bolts From Seat-Back Pad And Torque Specifications
Courtesy of AMERICAN HONDA MOTOR CO., INC.

7. Remove the seat-back (A) from the seat cushion (B). If necessary, remove the bushing (C).



G03679462

Fig. 29: Removing Seat-Back From Seat Cushion
Courtesy of AMERICAN HONDA MOTOR CO., INC.

8. Install the seat-back in the reverse order of removal, and note these items:
 - To prevent wrinkles in the seat-back cover, make sure the material is stretched evenly over the pad before securing the hook strips.
 - Replace the bushing and E clip.

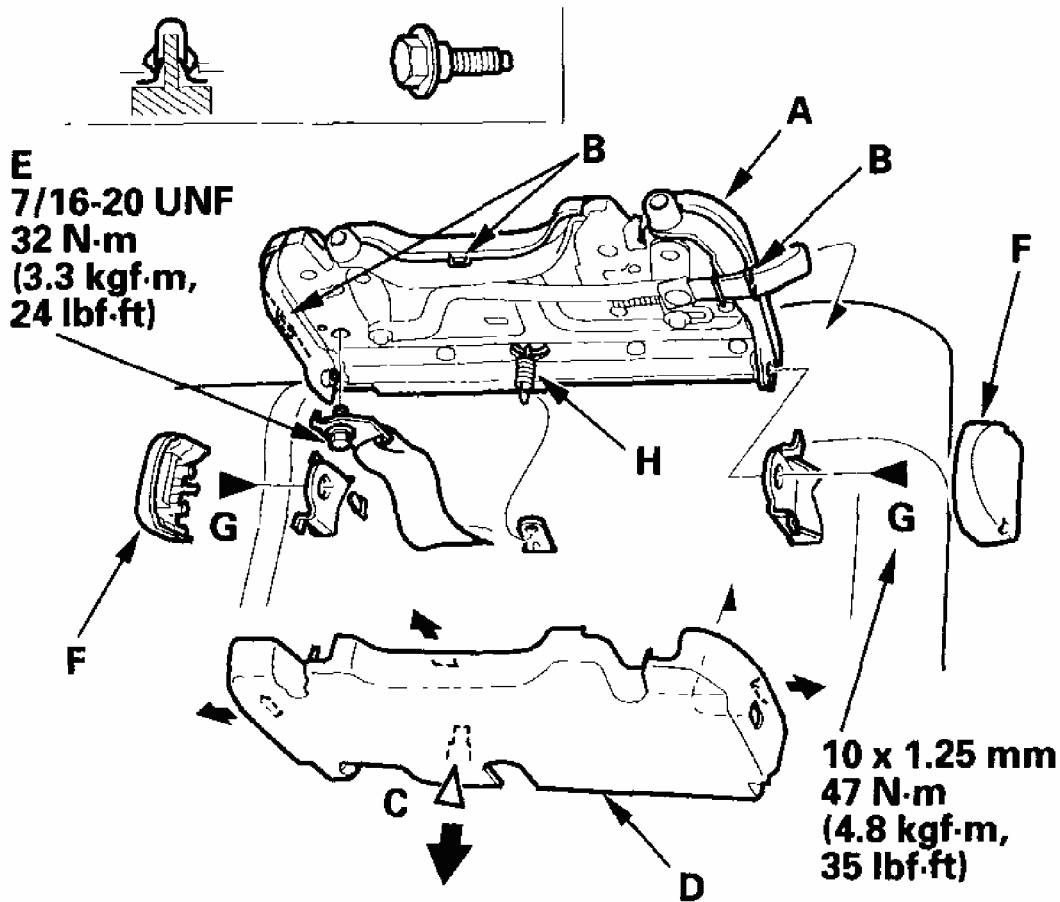
SEAT SUPPORT REMOVAL/INSTALLATION

1. Remove the seat support (A).
 - 1 Release the hooks (B), and detach the clip (C), then remove the inner support cover (D).

- 2 Remove the rear seat belt buckle center anchor bolt (E).
- 3 Remove the support bracket covers (F) from both sides.
- 4 Remove the bolts (G).
- 5 Release the support spring (H).

Fastener Locations

C▷ : Clip, 1 G▶ : Bolt, 2

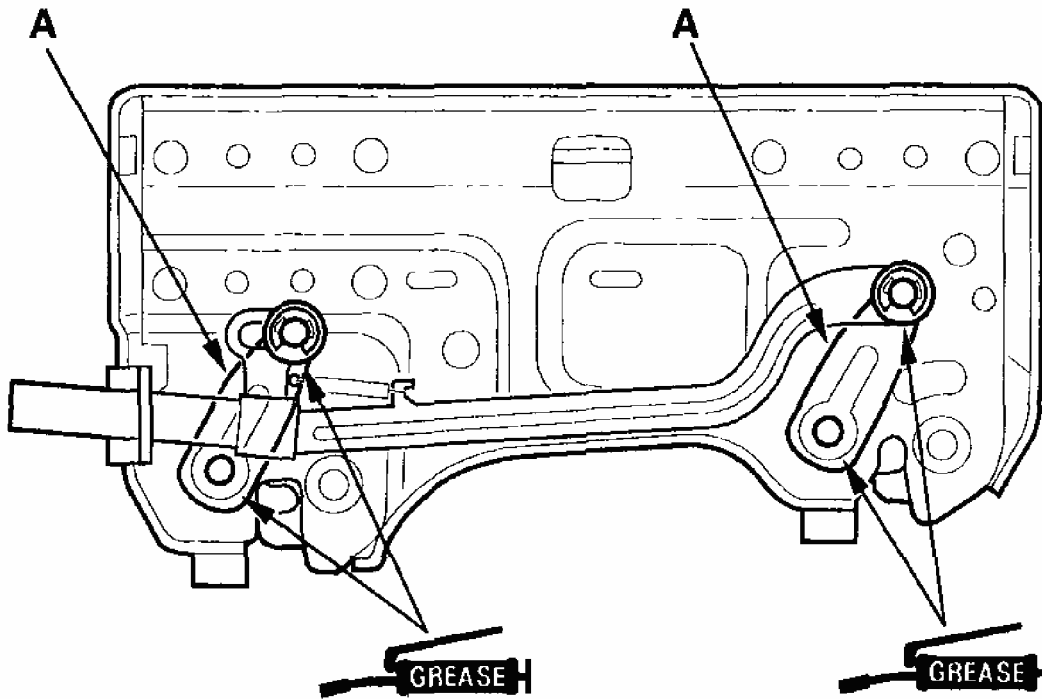


G03679463

Fig. 30: Removing Support Bracket Covers And Torque Specifications
 Courtesy of AMERICAN HONDA MOTOR CO., INC.

2. Install the seat support in the reverse order of removal, and note these items:
 - Apply multipurpose grease to the moving portions of the link (A) as indicated by the arrows.
 - Apply liquid thread lock to the center anchor bolt before reinstallation.

- Make sure there are no twists or kinks in the seat belt buckle before reinstallation.
- When installing the inner support cover, slip the strap through the hole in the cover.



G03679464

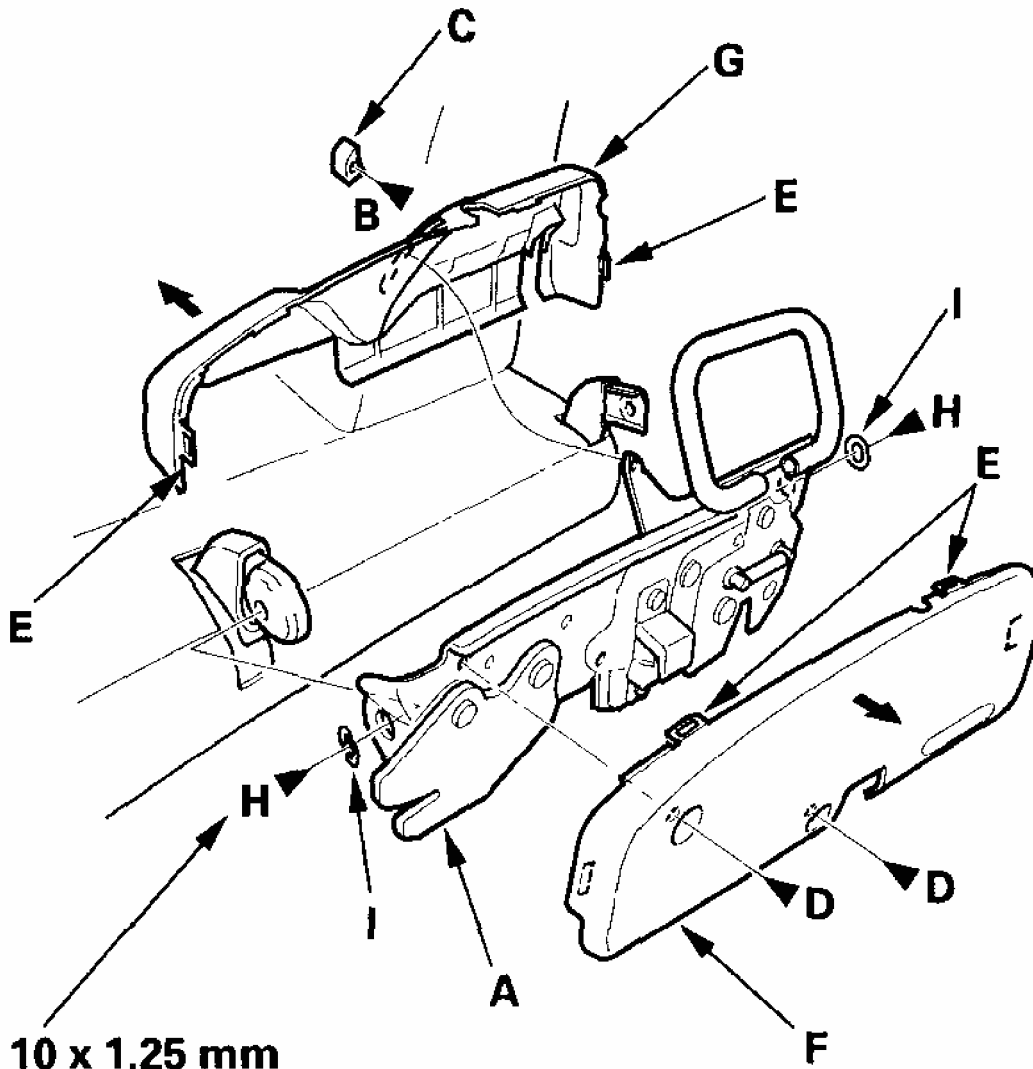
Fig. 31: Applying Multipurpose Grease Point
Courtesy of AMERICAN HONDA MOTOR CO., INC.

HINGE LOCK REMOVAL/INSTALLATION

1. Remove the rear seat.
2. Remove the hinge lock (A).
 - 1 Remove the screw (B), then remove the knob (C).
 - 2 Remove the screws (D), and detach the hooks (E), then remove the outer hinge lock cover (F) and inner hinge lock cover (G).
 - 3 Remove the bolts (H) and wave washers (I).

Fastener Locations

B▶ : Screw, 1 **D▶** : Screw, 2 **H▶** : Bolt, 2



10 x 1.25 mm
47 N·m (4.8 kgf·m, 35 lbf·ft)

G03679465

Fig. 32: Removing Outer Hinge Lock Cover And Torque Specifications
Courtesy of AMERICAN HONDA MOTOR CO., INC.

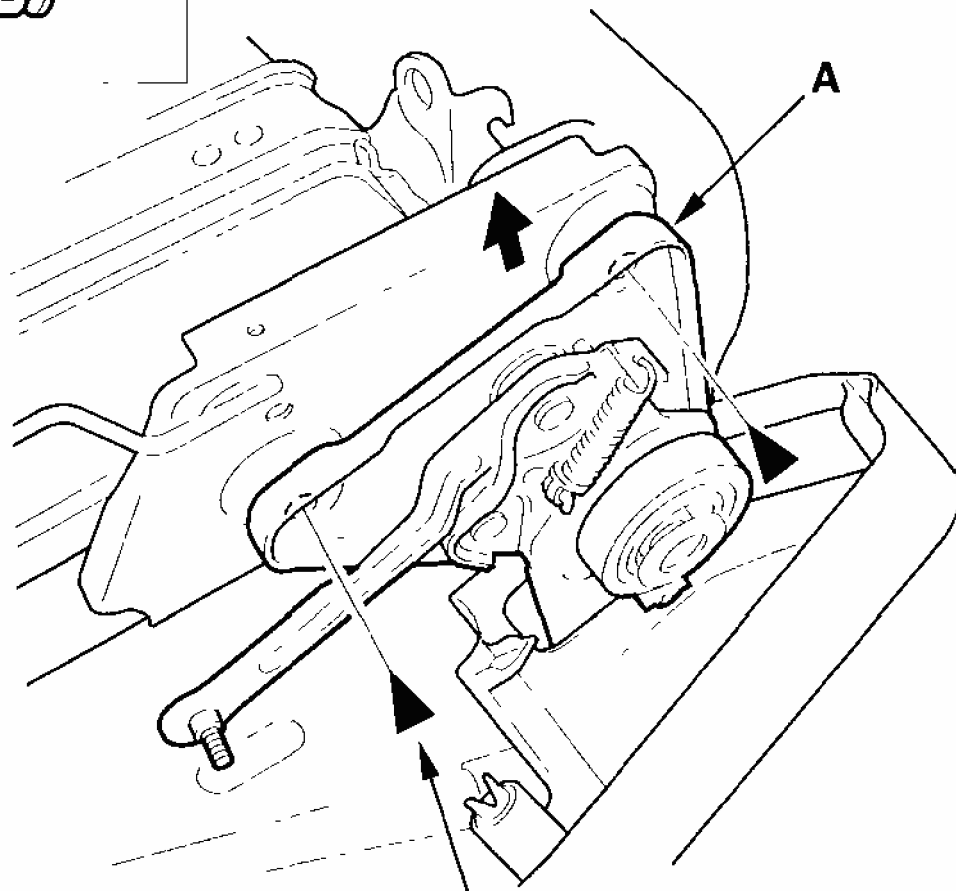
3. Install the hinge lock in the reverse order of removal.

RECLINE ADJUSTER REMOVAL/INSTALLATION

1. Remove the rear seat.
2. Remove these items from the rear seat:
 - Seat-back
 - Seat support
 - Hinge lock
 - (Latch Child Seat Anchor) cover
3. From under the seat cushion, release the hooks, and pull back the seat cushion cover (see step 3).
4. Release the hooks from the seat cushion frame (see step 3).
5. Remove the hook from the hook strap, and pull the hook strap out through the slit in the seat cushion cover (see step 5).
6. Remove the screw, and pull the strap out (see step 6).
7. Release the hooks securing the seat cushion cover from the recline cover (see step 7).
8. Pull back the seat cushion cover. Remove the screw, and pull the recline cover down to release the hook (see step 8).
9. Remove the nut, then remove the recline strap from the recline adjuster lever (see step 9).
10. Remove the bolts, then remove the recline adjuster (A).

Fastener Locations

▶ : Bolt, 2



**10 x 1.25 mm
47 N·m (4.8 kgf·m, 35 lbf·ft)**

G03679466

Fig. 33: Removing The Recline Adjuster And Torque Specifications
Courtesy of AMERICAN HONDA MOTOR CO., INC.

11. Install the recline adjuster in the reverse order of removal, and note these items:
 - Apply multipurpose grease to the moving portions of the recline adjuster.
 - To prevent wrinkles when installing a seat-back cover, make sure the material is stretched evenly over the pad before securing the hooks.

REAR SEAT COVER REPLACEMENT

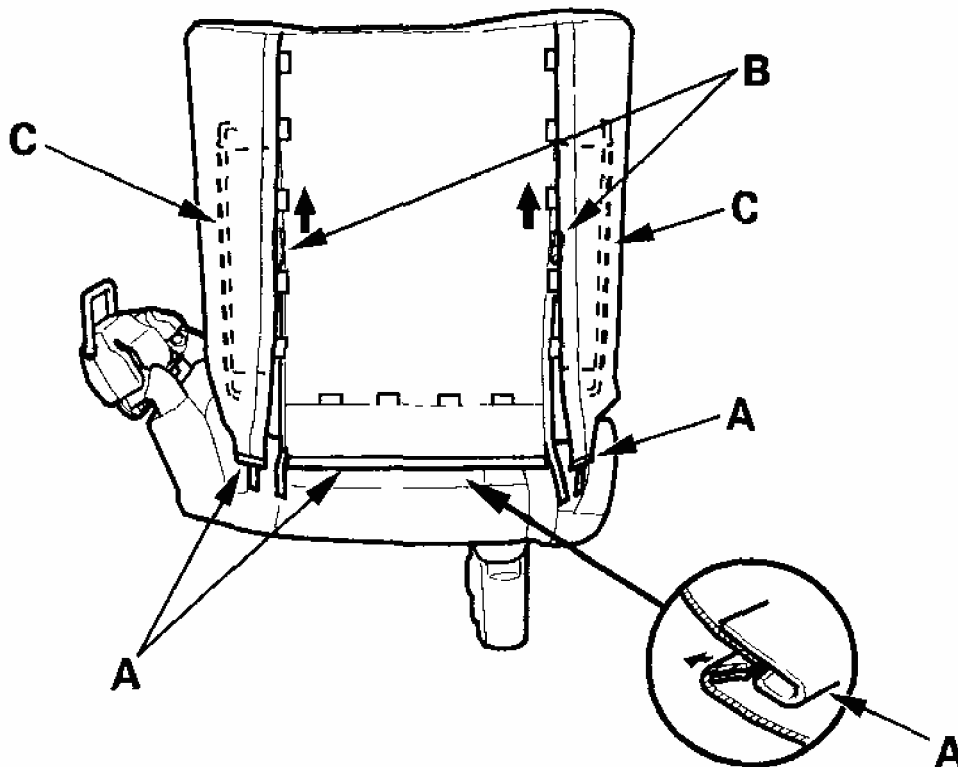
- NOTE:**
- Take care not to tear the seams or damage the seat covers.
 - Put on gloves to protect your hands.

SEAT-BACK COVER

1. Remove the headrest.
2. Fold the seat-back forward.
3. Release the hooks (A), and with seat-back loops, unzip the seat-back cover (B) and release the hooks (C). It is not necessary to remove a seat-back bungee cord from the loops if the cover will be reinstalled.

With seat-back loops

With seat-back loops



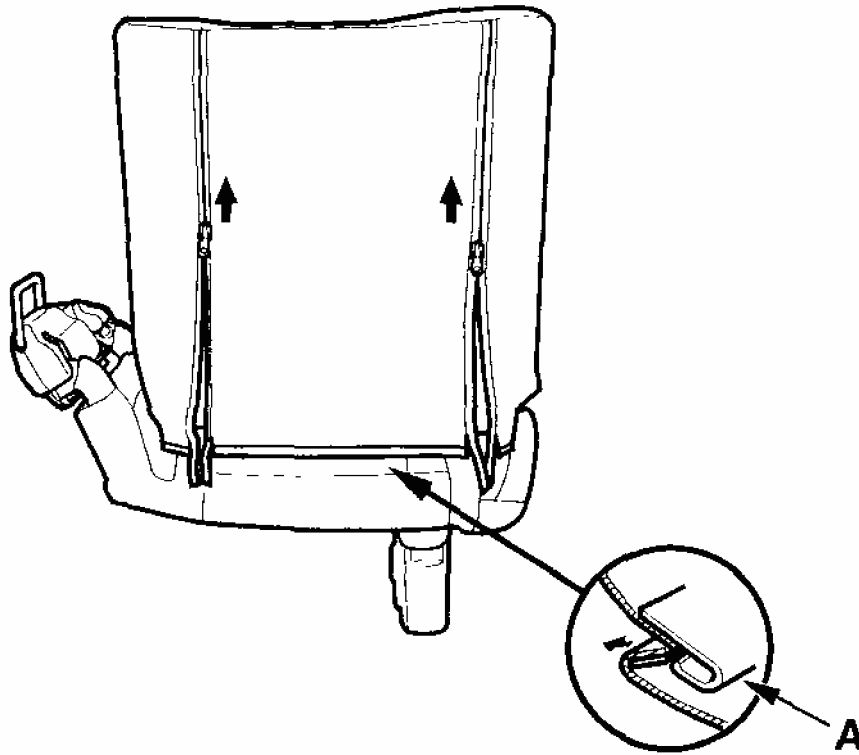
G03679467

Fig. 34: Releasing Hooks With Seat-Back Loops

Courtesy of AMERICAN HONDA MOTOR CO., INC.

Without seat-back loops

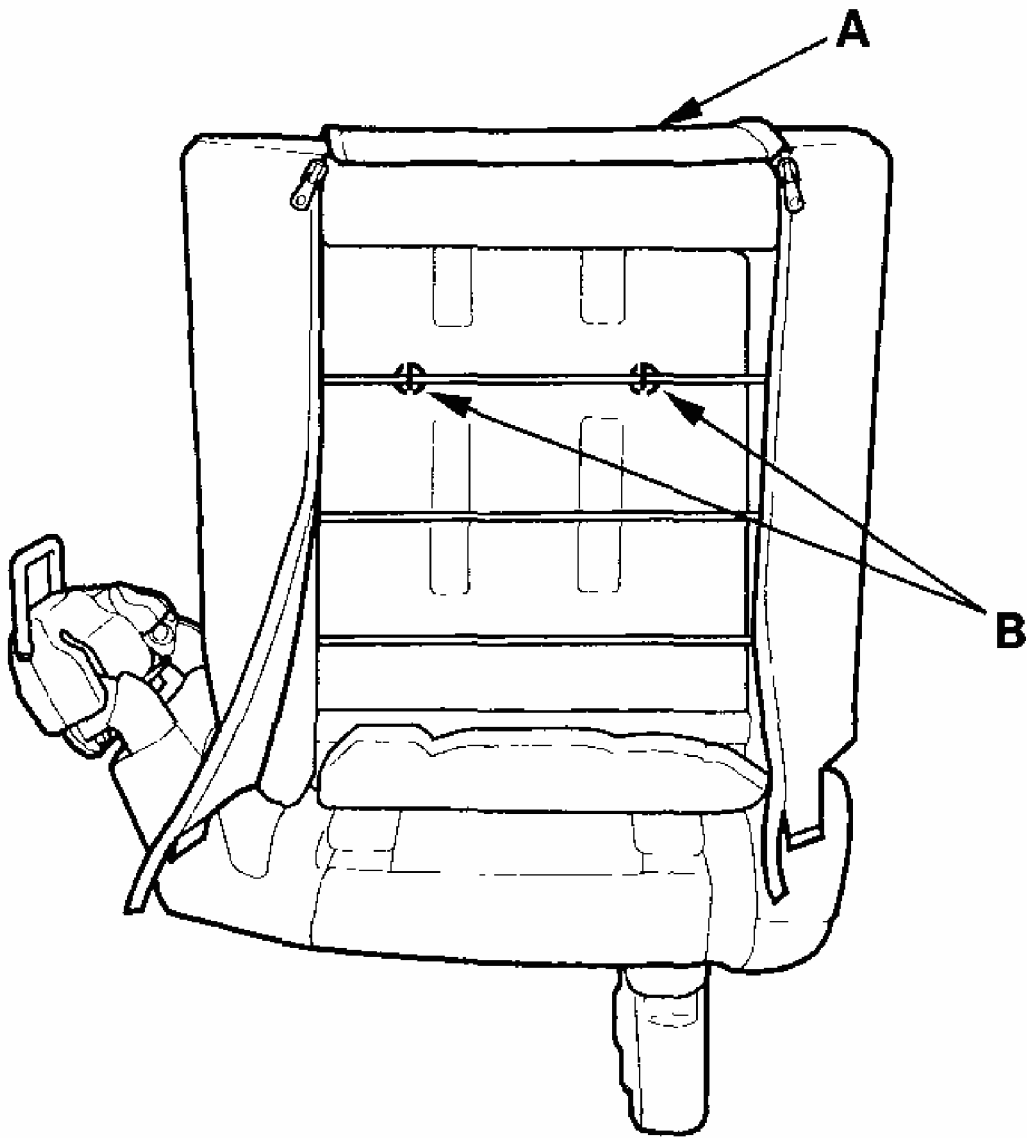
Without seat-back loops



G03679468

Fig. 35: Releasing Hooks Without Seat-Back Loops
Courtesy of AMERICAN HONDA MOTOR CO., INC.

4. Pull back the seat-back cover (A), and release the inside springs (B).

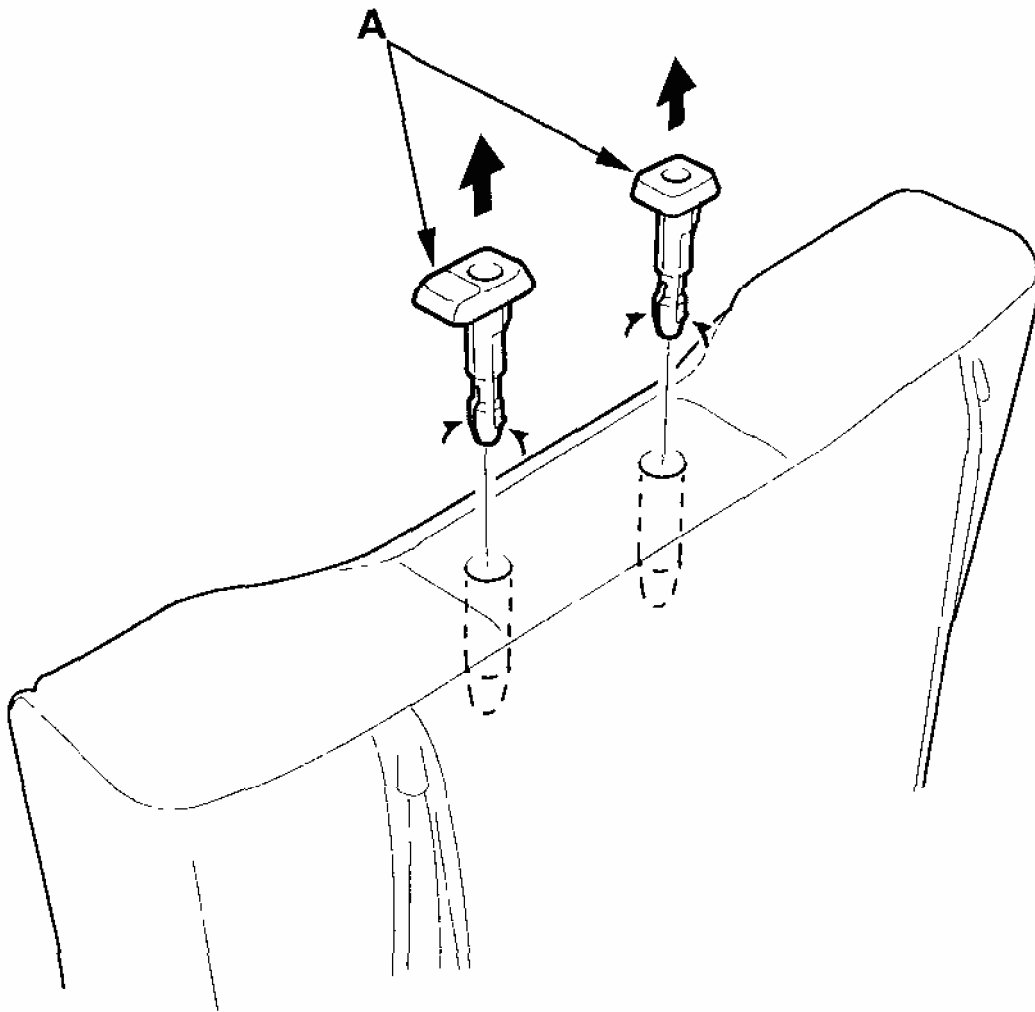


G03679469

Fig. 36: Identifying Seat-Back Cover

Courtesy of AMERICAN HONDA MOTOR CO., INC.

5. Pull out the headrest guides (A) while pinching the end of the guides, and remove them.

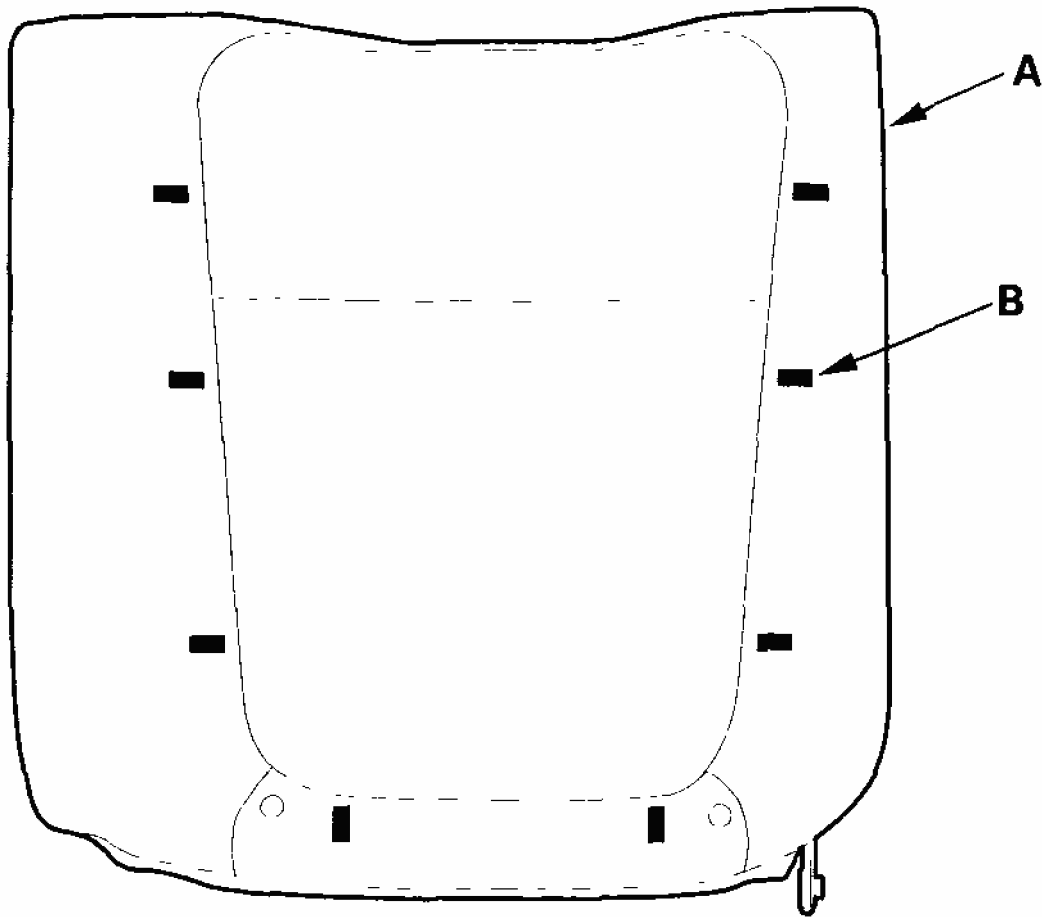


G03679470

Fig. 37: Pulling Out Headrest Guides

Courtesy of AMERICAN HONDA MOTOR CO., INC.

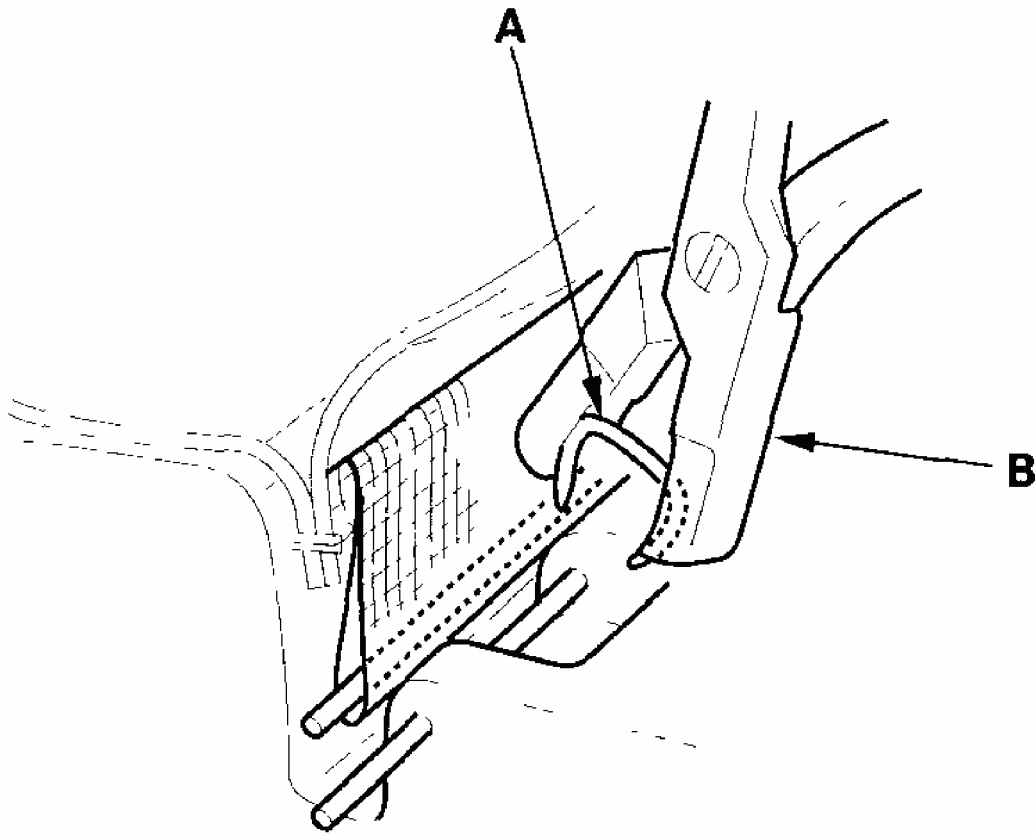
6. Pull back the edge of the seat-back cover (A) all the way around, then release all of the clips (B).



G03679471

Fig. 38: Identifying Seat-Back Cover & Clips
Courtesy of AMERICAN HONDA MOTOR CO., INC.

7. Remove the seat-back cover.
8. Install the seat-back cover in the reverse order of removal, and note these items:
 - To prevent wrinkles when installing a seat-back cover, make sure the material is stretched evenly over the pad before securing the hook, inside spring, and clips.
 - Replace any clips (A) you removed with new ones using commercially available upholstery ring pliers (B).



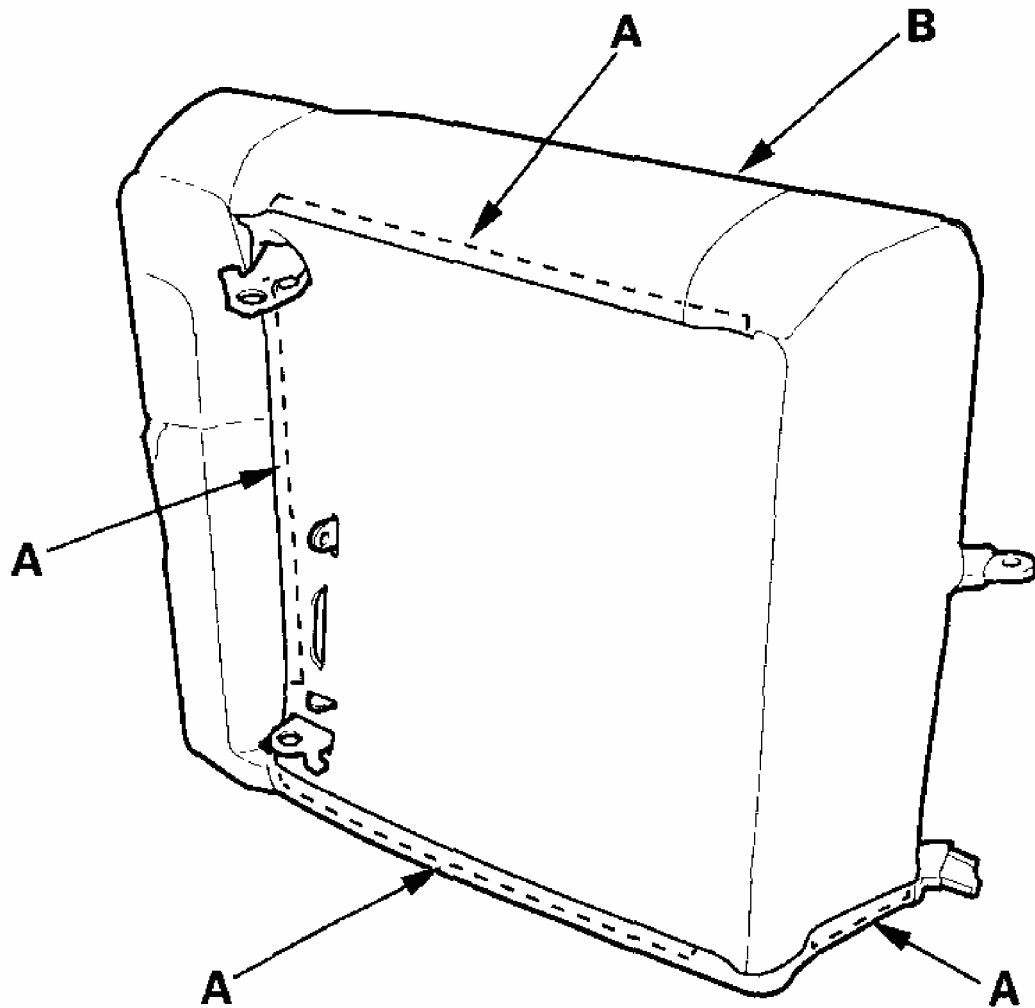
G03679472

Fig. 39: Installing Ring Pliers

Courtesy of AMERICAN HONDA MOTOR CO., INC.

SEAT CUSHION COVER

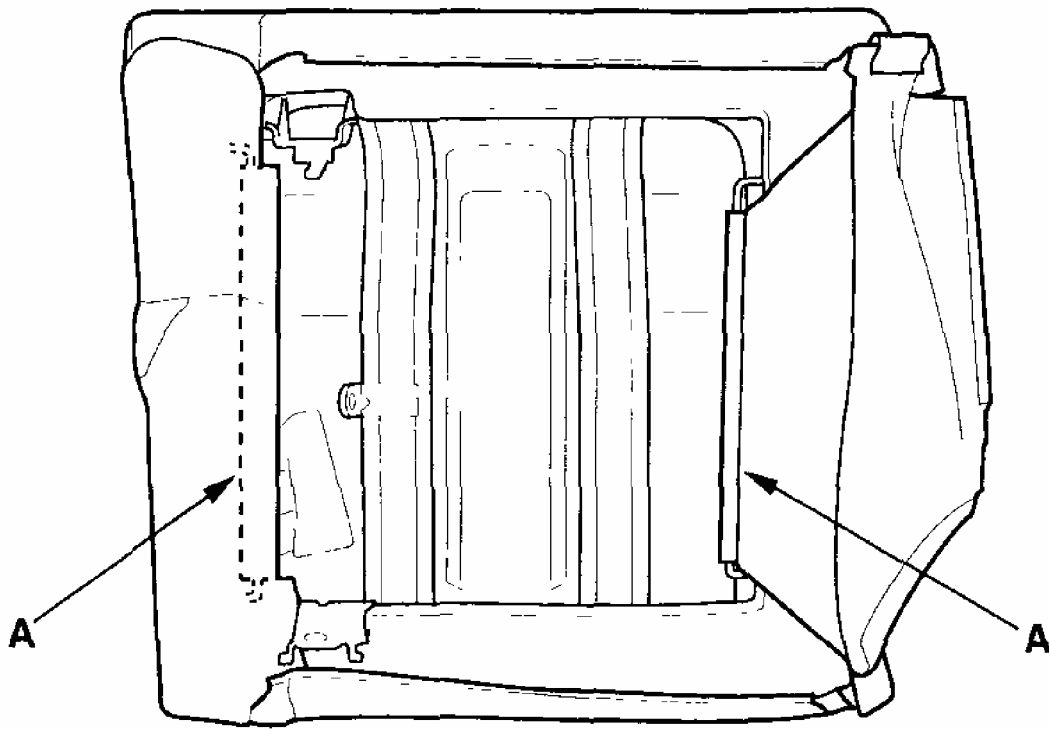
1. Remove the rear seat.
2. Remove these items from the rear seat:
 - Seat-back (see step 1)
 - Seat support (see step 1)
 - Hinge lock (see step 2)
 - (Latch Child Seat Anchor) cover, both sides
3. From under the seat cushion, release the hooks (A), and pull back the seat cushion cover (B).



G03679473

Fig. 40: Identifying Seat Cushion Cover
Courtesy of AMERICAN HONDA MOTOR CO., INC.

4. Release the hooks (A) from the seat cushion frame.



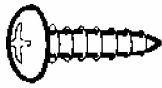
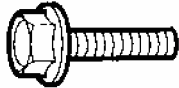
G03679474

Fig. 41: Releasing Hooks From Seat Cushion Frame
Courtesy of AMERICAN HONDA MOTOR CO., INC.

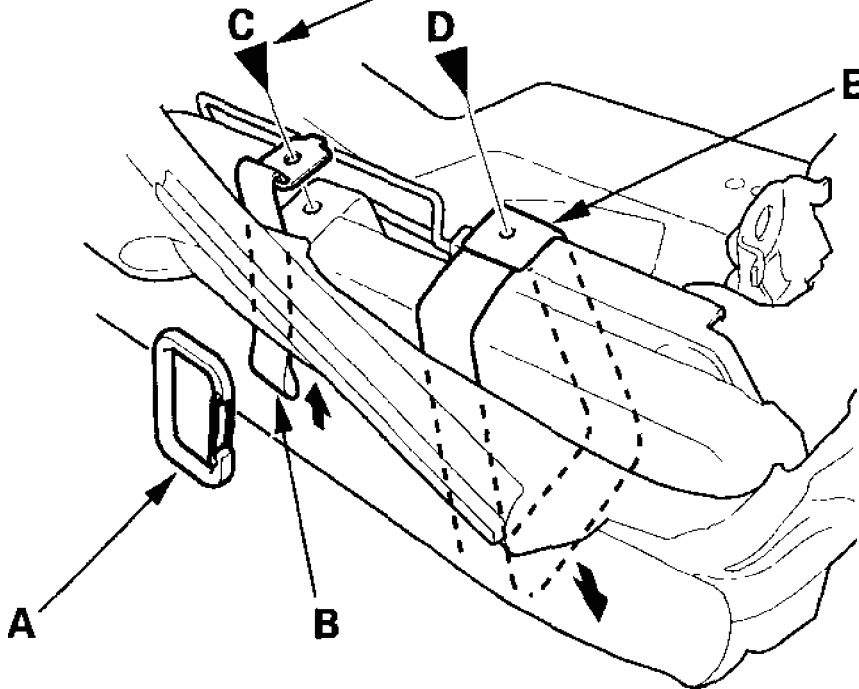
5. Remove the hook (A) from the hook strap (B), and pull the hook strap out through the slit in the seat cushion cover. If necessary, remove the bolt (C), then remove the hook strap.

Fastener Locations

C ▶ : Bolt, 1 D ▶ : Screw, 1



**8 x 1.25 mm
22 N·m
(2.2 kgf·m, 16 lbf·ft)**

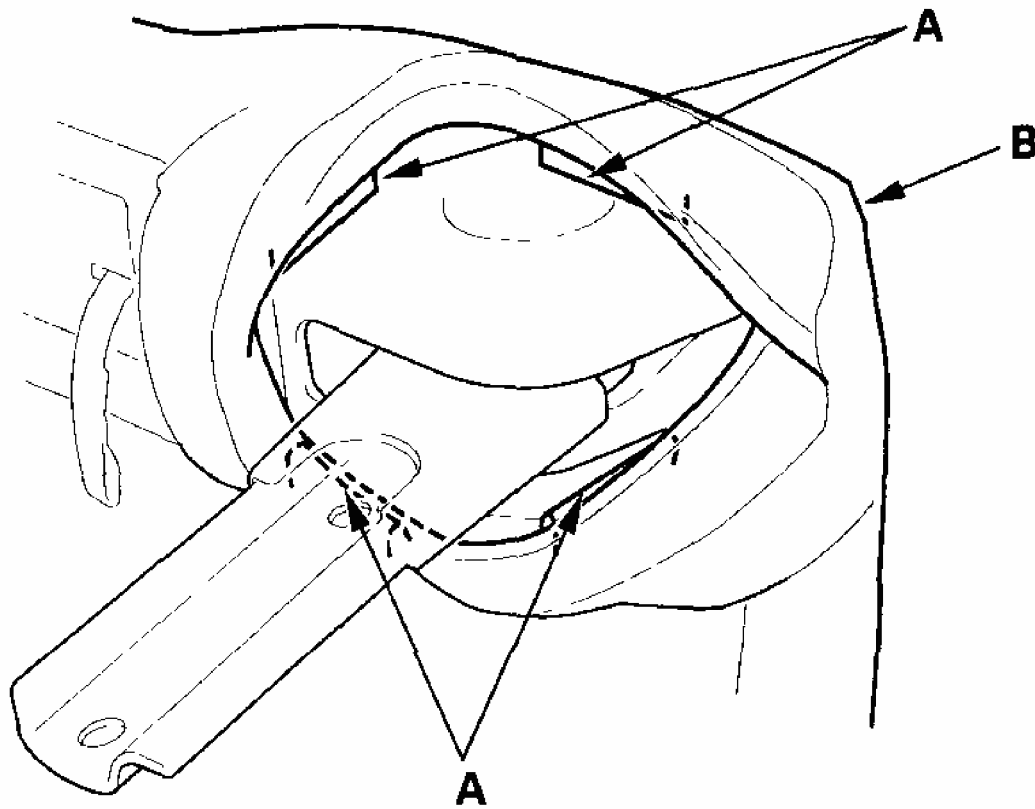


G03679475

Fig. 42: Removing Hook Through Slit In Seat Cushion Cover And Torque Specifications

Courtesy of AMERICAN HONDA MOTOR CO., INC.

6. Remove the screw (D), and pull the strap (E) out.
7. Release the hooks (A) securing the seat cushion cover (B) from the recline cover.



G03679476

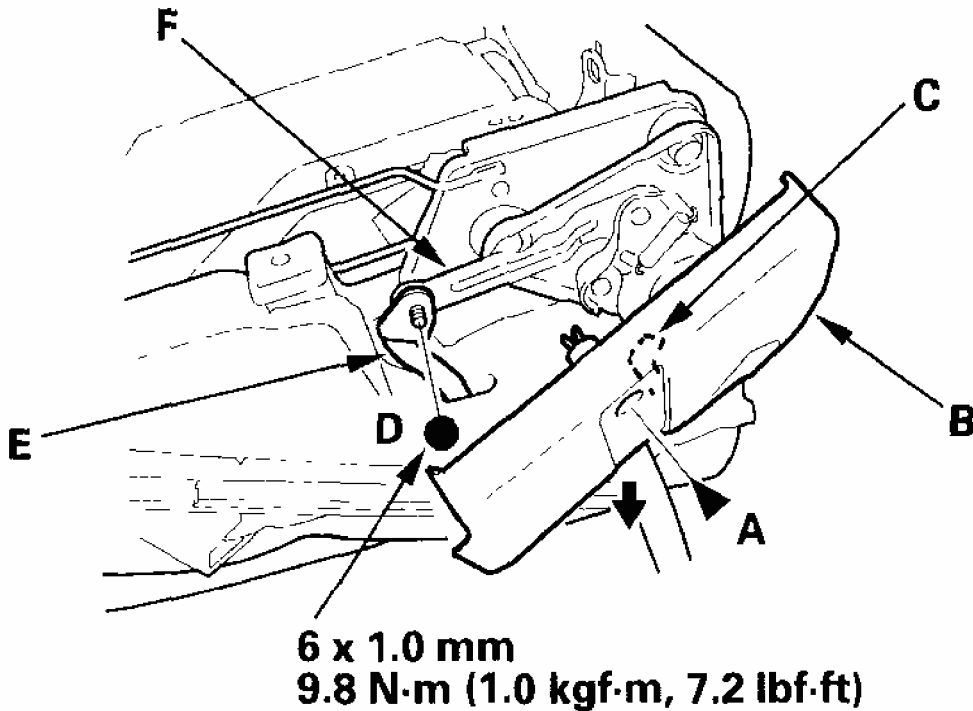
Fig. 43: Identifying Seat Cushion Cover

Courtesy of AMERICAN HONDA MOTOR CO., INC.

8. Pull back the seat cushion cover. Remove the screw (A), and pull the recline cover (B) down to release the hook (C).

Fastener Locations

A ►: Screw, 1 D ●: Nut, 1



G03679477

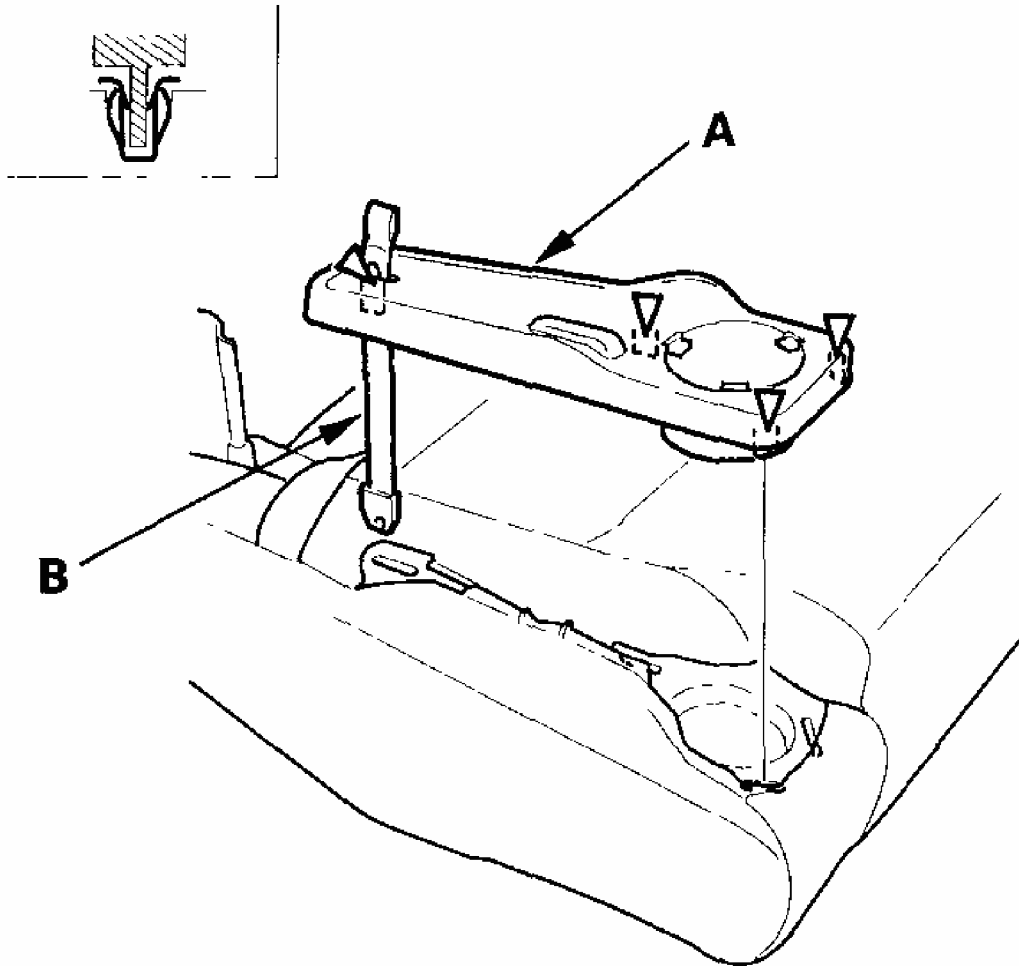
Fig. 44: Removing Screws Pulling Back Seat Cushion Cover And Torque Specifications

Courtesy of AMERICAN HONDA MOTOR CO., INC.

9. Remove the nut (D), then remove the recline strap (E) from the recline adjuster lever (F).
10. Pull up on the center tray (A) to detach the clips, then remove the tray with the recline strap (B).

Fastener Locations

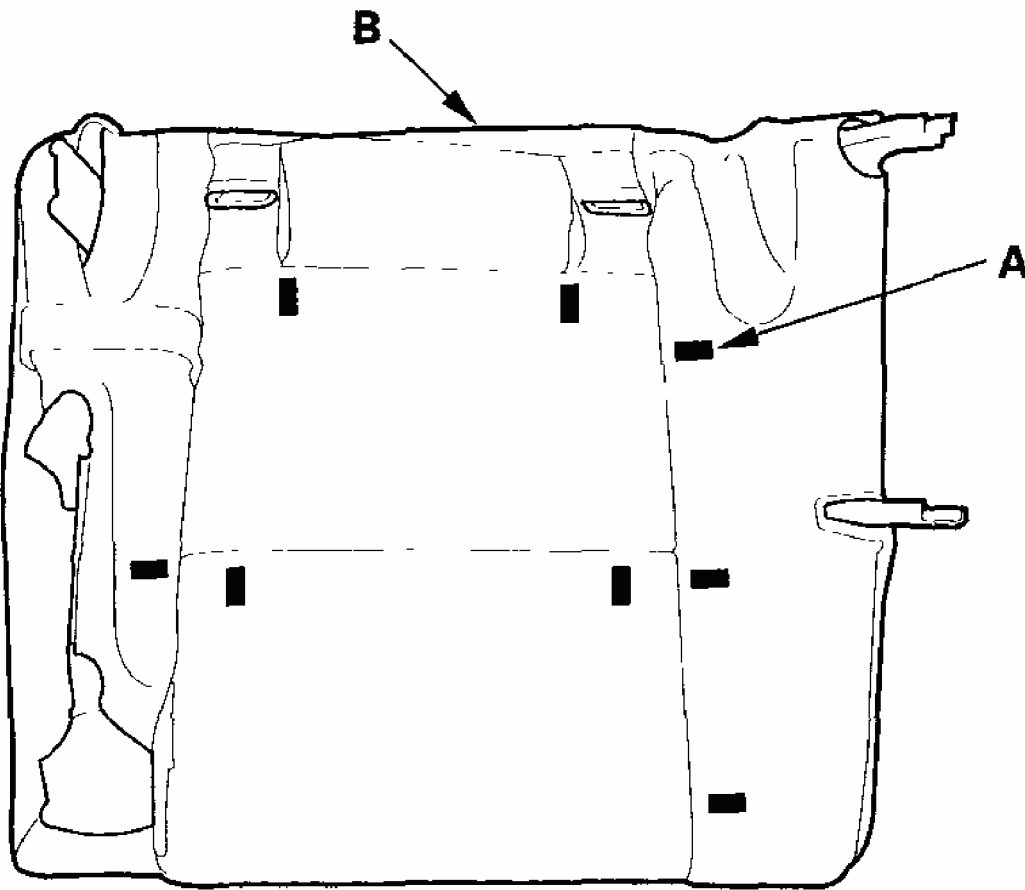
▷ : Clip, 4



G03679478

Fig. 45: Removing Tray With The Recline Strap
Courtesy of AMERICAN HONDA MOTOR CO., INC.

11. Pull back the edge of the seat cushion cover all the way around, and release the clips (A), then remove the seat cushion cover (B).

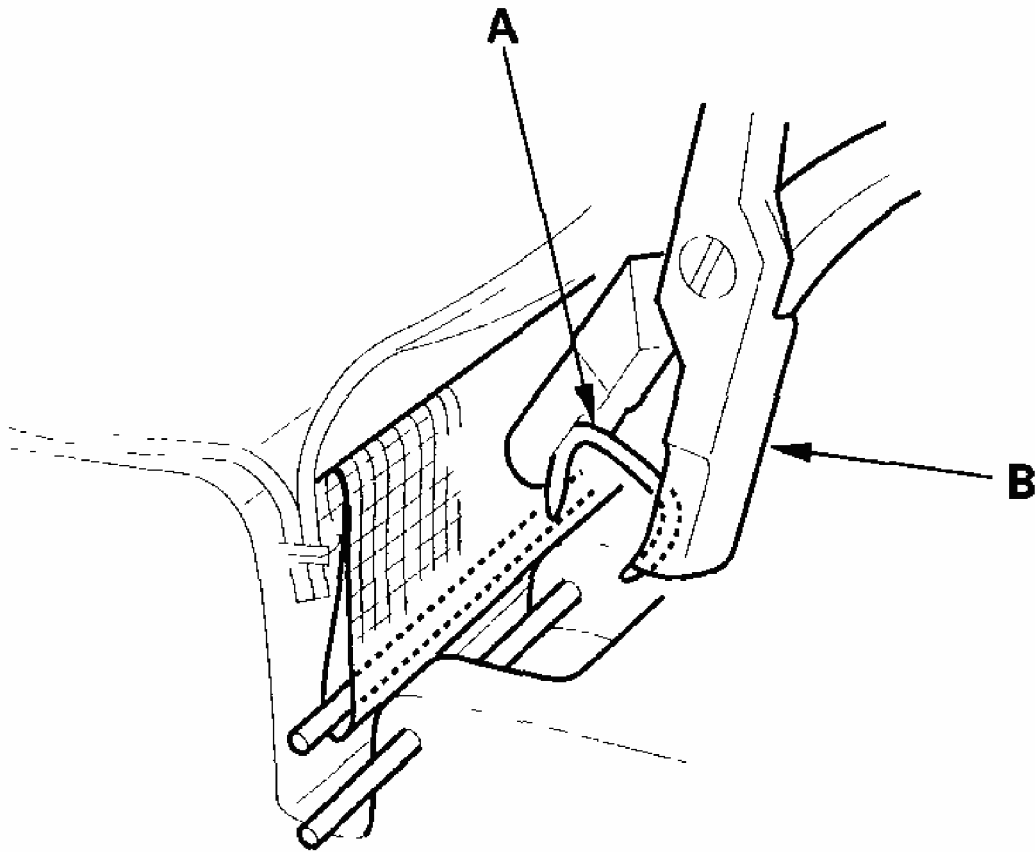


G03679479

Fig. 46: Identifying Seat Cushion Cover

Courtesy of AMERICAN HONDA MOTOR CO., INC.

12. Install the seat cushion cover in the reverse order of removal, and note these items:
 - To prevent wrinkles when installing a seat cushion cover, make sure the material is stretched evenly over the pad before securing the clips and hooks.
 - Replace any clips (A) you removed with new ones using commercially available upholstery ring pliers (B).



G03679480

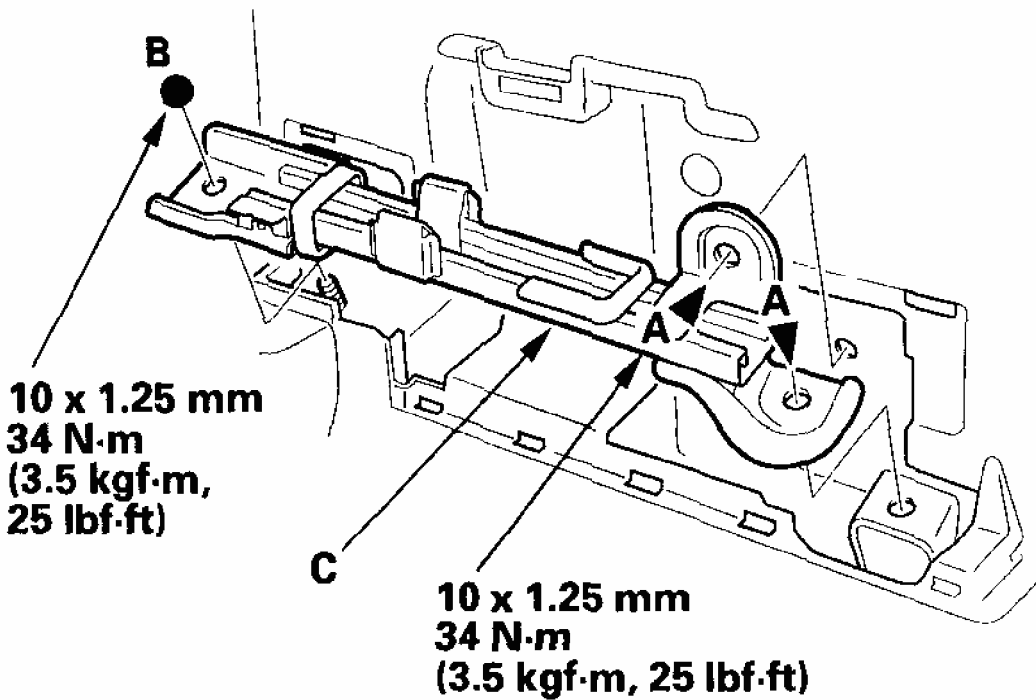
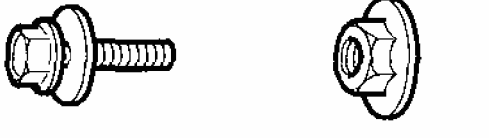
Fig. 47: Removing Clips Using Ring Plier
Courtesy of AMERICAN HONDA MOTOR CO., INC.

REAR SEAT STRIKER REPLACEMENT

1. Remove the rear seat.
2. Remove the bolts (A) and nut (B), then remove the seat striker (C).

Fastener Locations

A ▶ : Bolt, 2 **B ●** : Nut, 1



G03679481

Fig. 48: Removing Bolts, Nut And Seat Striker With Specified Torques
Courtesy of AMERICAN HONDA MOTOR CO., INC.

3. Install the seat striker in the reverse order of removal.