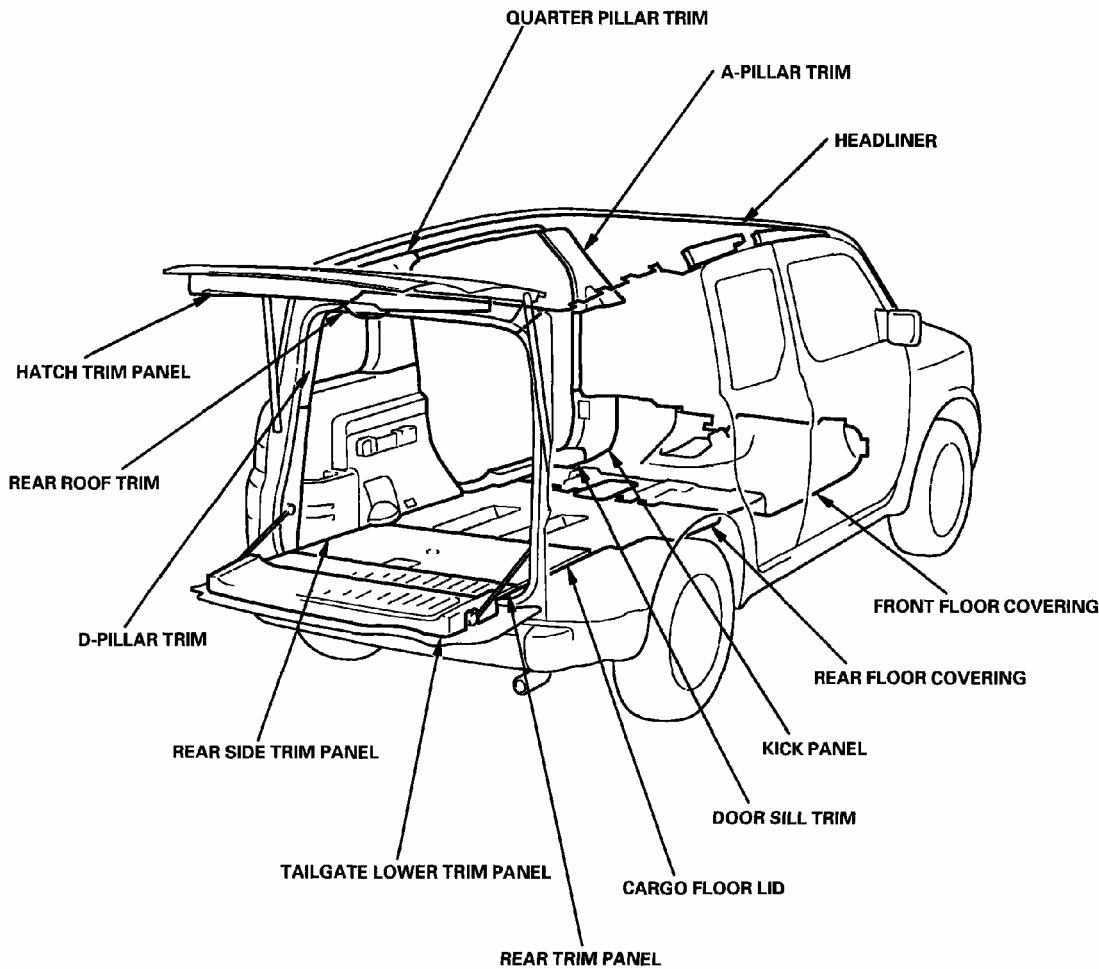


2003-06 ACCESSORIES & EQUIPMENT

Interior Trim - Element

COMPONENT LOCATION INDEX



G03679384

Fig. 1: Identifying Component Location Index
Courtesy of AMERICAN HONDA MOTOR CO., INC.

TRIM REMOVAL/INSTALLATION - DOOR AREAS

Special Tools Required

KTC trim tool set SOJATP2014 *

* Available through the American Honda Tool and Equipment Program; call 888-424-6857

NOTE: • Put on gloves to protect your hands.

2003 Honda Element DX

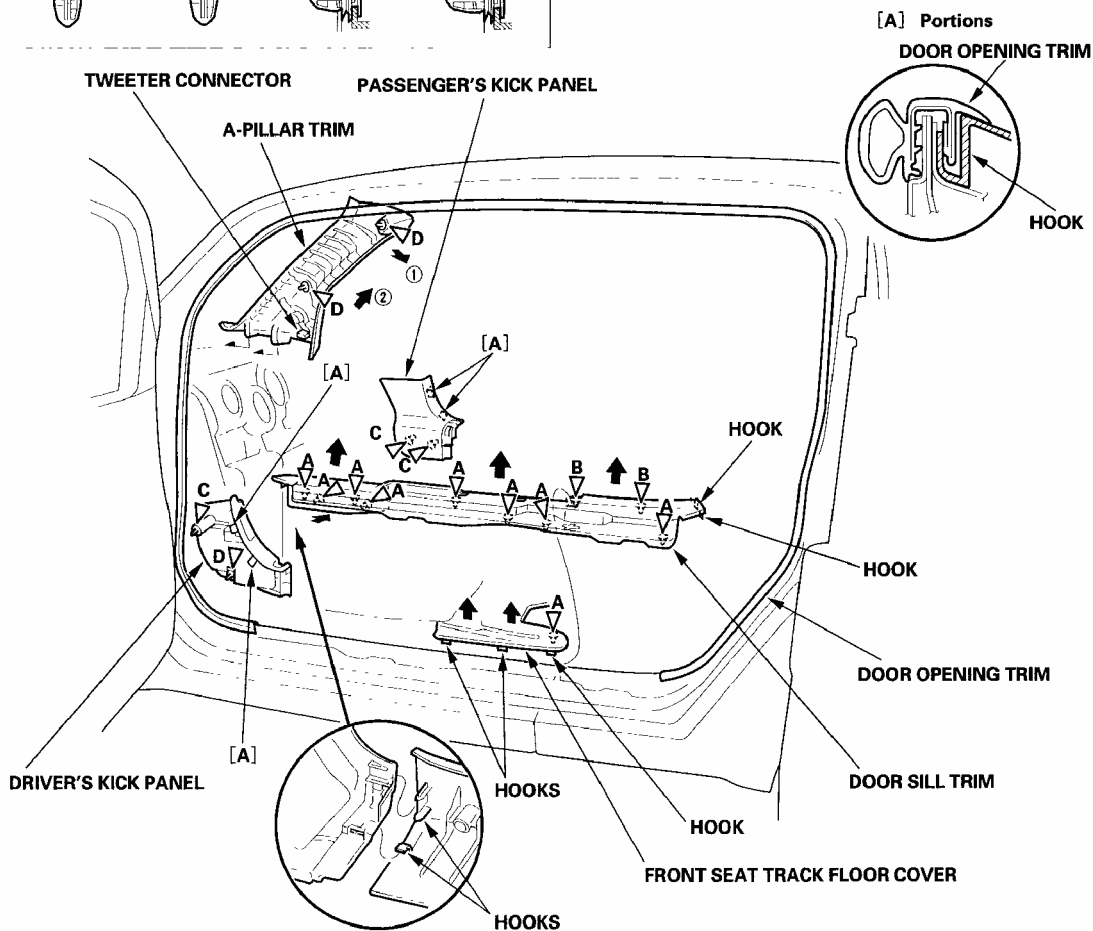
2003-06 ACCESSORIES & EQUIPMENT Interior Trim - Element

- Use the appropriate tool from the KTC trim tool set to avoid damage when prying components.
- Take care not to bend or scratch the trim and panels.

1. Remove the trim as shown.
2. Install the trim in the reverse order of removal, and note these items:
 - Check for damaged or stress-whitened clips, and replace them with new ones.
 - Push the clips and hooks into place securely.
 - Make sure the tweeter connector is plugged in properly (for some models).

Fastener Locations

A ▷: Clip, 9 (White) B ▷: Clip, 2 (Orange) C ▷: Clip, 3 (White) D ▷: Clip, 3 (Black)



G03679385

Fig. 2: Installing Trim - Door Areas
Courtesy of AMERICAN HONDA MOTOR CO., INC.

Special Tools Required

KTC trim tool set SOJATP2014 *

* Available through the American Honda Tool and Equipment Program; call 888-424-6857

NOTE:

- Put on gloves to protect your hands.
- Use the appropriate tool from the KTC trim tool set to avoid damage when prying components.
- Take care not to bend or scratch the trim and panels.

1. Remove the cargo area trim as shown. To remove the rear trim panel, lift up on the hinged section and hold it, then remove the screws and release the clips.
2. Install the trim in the reverse order of removal, and note these items:
 - Check for damaged or stress-whitened clips, and replace them with new ones.
 - Push the clips into place securely.

Fastener Locations

A ▶ : Screw, 3 B ▷ : Clip, 2 (White)

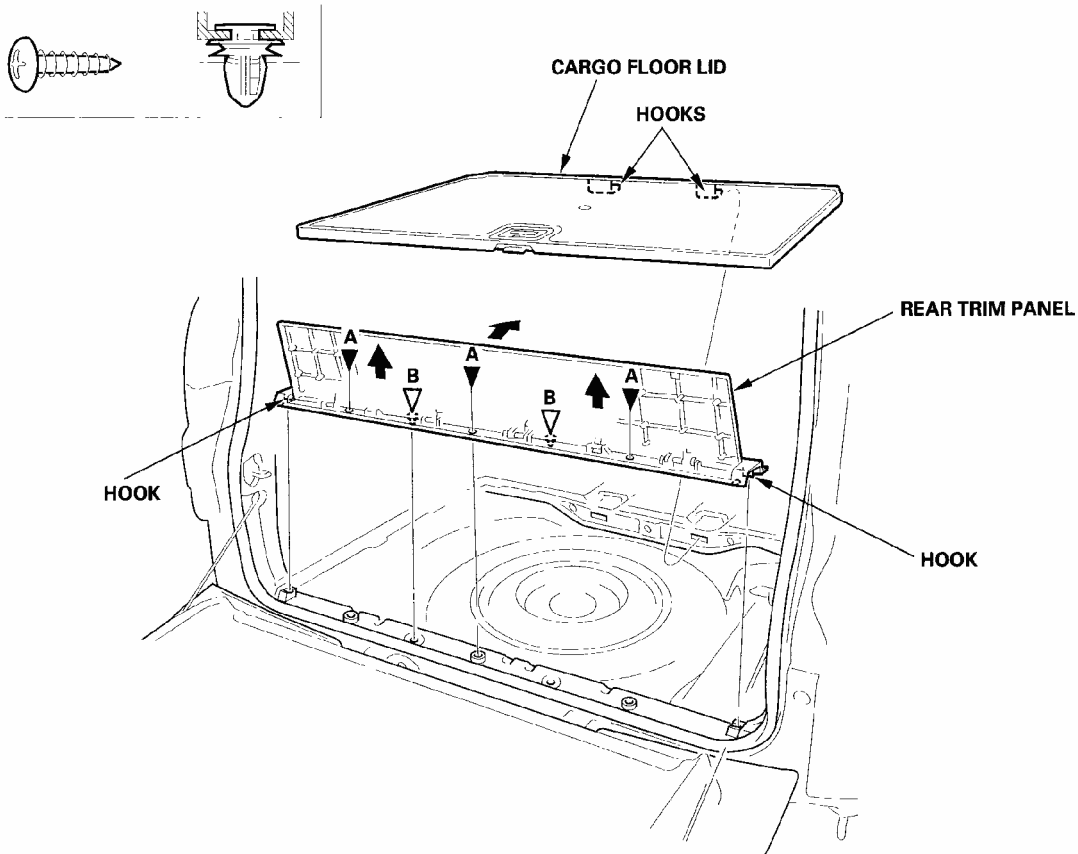


Fig. 3: Installing Trim - Cargo Area
Courtesy of AMERICAN HONDA MOTOR CO., INC.

TRIM REMOVAL/INSTALLATION - REAR SIDE AREA

Special Tools Required

KTC trim tool set SOJATP2014 *

* Available through the American Honda Tool and Equipment Program; call 888-424-6857

NOTE:

- Put on gloves to protect your hands.
- Use the appropriate tool from the KTC trim tool set to avoid damage when prying components.
- Take care not to bend or scratch the trim and panels.

1. Remove these items, then remove the trim as shown:

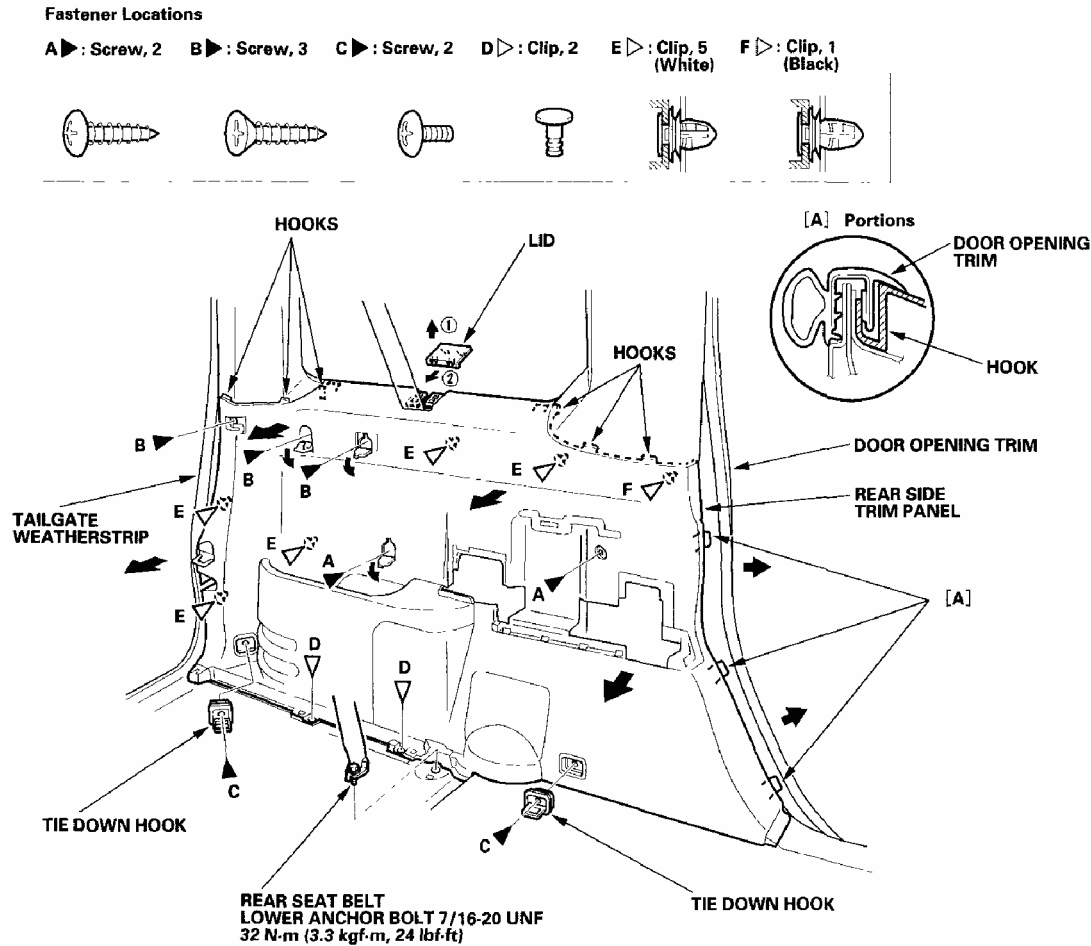
- Rear trim panel (see **TRIM REMOVAL/INSTALLATION - CARGO AREA**)
- Door sill trim (see **TRIM REMOVAL/INSTALLATION - DOOR AREAS**)
- Rear seat
- Rear seat striker (see **REAR SEAT STRIKER REPLACEMENT**)

2. Install the trim in the reverse order of removal, and note these items:

- Check for damaged or stress-whitened clips, and replace them with new ones.
- Make sure the seat belt is not pinched.
- Apply liquid thread lock to the rear seat belt lower anchor bolt before installation.
- Before installing the anchor bolt, make sure there are no twists or kinks in the seat belt.
- Push the clips into place securely.

2003 Honda Element DX

2003-06 ACCESSORIES & EQUIPMENT Interior Trim - Element



G03679387

Fig. 4: Installing Trim - Rear Side Area
Courtesy of AMERICAN HONDA MOTOR CO., INC.

TRIM REMOVAL/INSTALLATION - REAR SIDE PILLAR AREA

Special Tools Required

KTC trim tool set SOJATP2014 *

* Available through the American Honda Tool and Equipment Program; call 888-424-6857

NOTE:

- Put on gloves to protect your hands.
- Use the appropriate tool from the KTC trim tool set to avoid damage when prying components.
- Take care not to bend or scratch the trim and panels.

QUARTER PILLAR TRIM

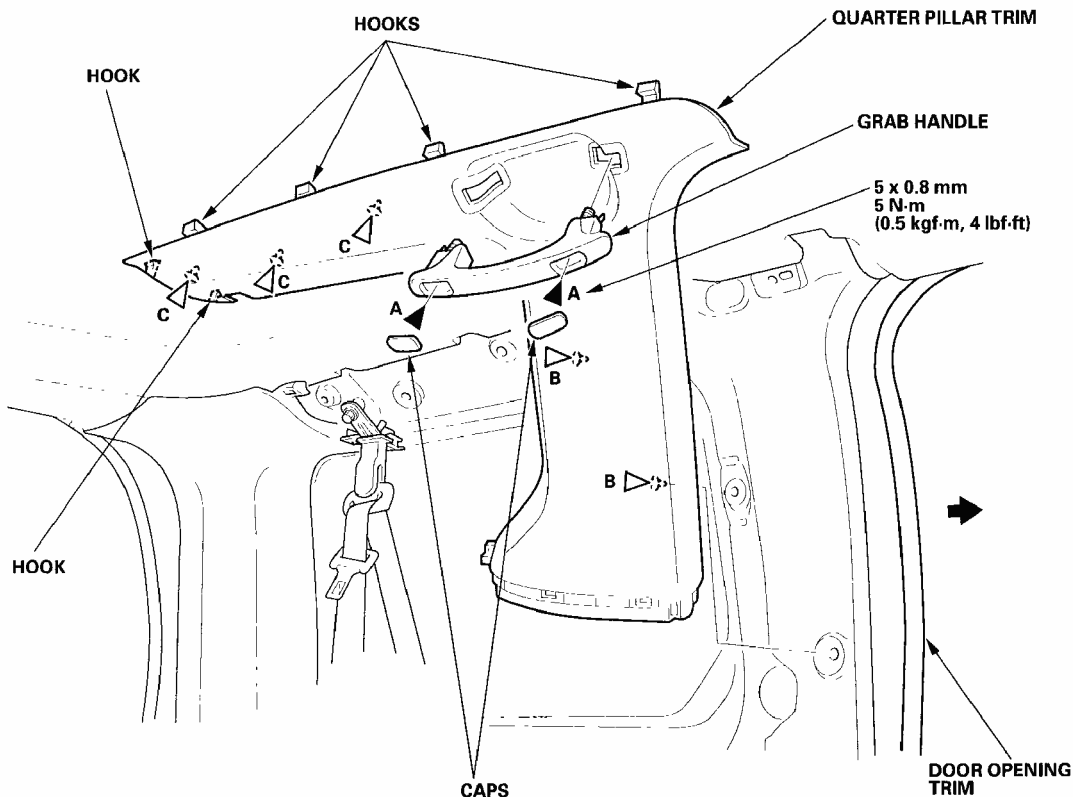
2003 Honda Element DX

2003-06 ACCESSORIES & EQUIPMENT Interior Trim - Element

1. Remove the quarter pillar trim as shown. To remove the trim, remove the upper portion of the rear side trim panel as needed (see **TRIM REMOVAL/INSTALLATION - REAR SIDE AREA**).
2. Install the trim in the reverse order of removal, and note these items:
 - Check for damaged or stress-whitened clips, and replace them with new ones.
 - When installing the rear side trim panel, make sure the seat belt is not pinched.
 - Push the clips into place securely.

Fastener Locations

A ▶: Screw, 2 B ▶: Clip, 2 (Black) C ▶: Clip, 3 (White)



G03679388

Fig. 5: Installing Quarter Pillar Trim And Torque Specifications- Rear Side Pillar Area

Courtesy of AMERICAN HONDA MOTOR CO., INC.

D-PILLAR TRIM/REAR ROOF TRIM

1. Remove these items, then remove the trim as shown:
 - Quarter pillar trim

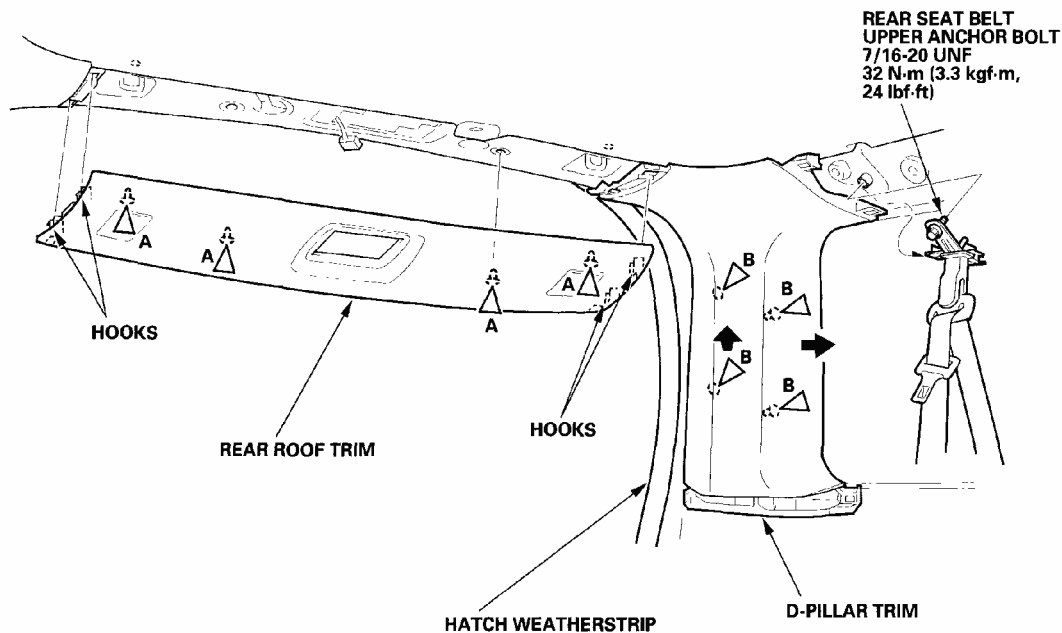
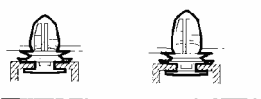
2003 Honda Element DX

2003-06 ACCESSORIES & EQUIPMENT Interior Trim - Element

- Upper portion of the rear side trim panel as needed (see **TRIM REMOVAL/INSTALLATION - REAR SIDE AREA**)
 - Rear ceiling light (see **CEILING LIGHT TEST/REPLACEMENT**)
2. Install the trim in the reverse order of removal, and note these items:
- Check for damaged or stress-whitened clips, and replace them with new ones.
 - Apply liquid thread lock to the upper anchor bolt before installation.
 - Push the clips into place securely.
 - When installing the rear side trim panel, make sure the seat belt is not pinched.
 - Before installing the upper anchor bolt, make sure there are no twists or kinks in the seat belt.

Fastener Locations

A ▷ : Clip, 4 (White) B ▷ : Clip, 4 (Black)



G03679389

Fig. 6: Installing D-Pillar Trim/Rear Roof Trim And Torque Specifications- Rear Side Pillar Area

Courtesy of AMERICAN HONDA MOTOR CO., INC.

TRIM REMOVAL/INSTALLATION - HATCH AREA

Special Tools Required

KTC trim tool set SOJATP2014 *

2003 Honda Element DX

2003-06 ACCESSORIES & EQUIPMENT Interior Trim - Element

* Available through the American Honda Tool and Equipment Program; call 888-424-6857

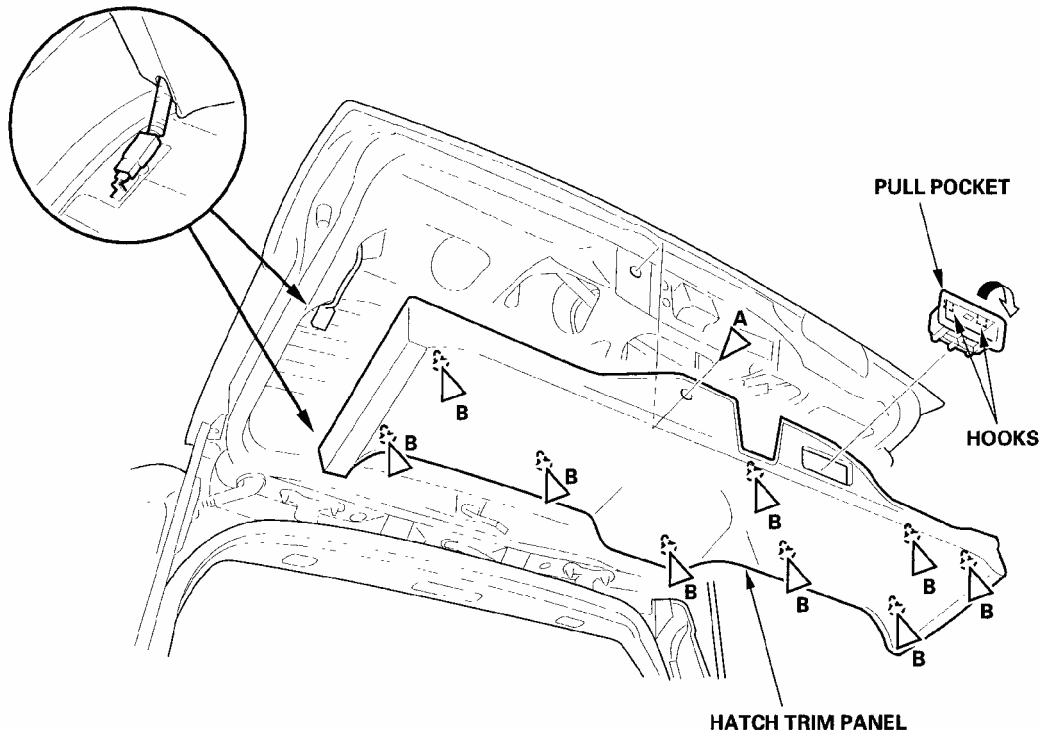
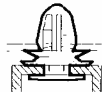
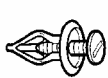
NOTE:

- Put on gloves to protect your hands.
- Use the appropriate tool from the KTC trim tool set to avoid damage when prying components.
- Take care not to bend or scratch the trim and panels.

1. Remove the trim as shown.
2. Install the trim in the reverse order of removal, and note these items:
 - Check for damaged or stress-whitened clips, and replace them with new ones.
 - Make sure the rear window defogger wire harness on each side is not pinched.
 - Push the clips into place securely.

Fastener Locations

A▷ : Clip, 1 B▷ : Clip, 9
(White)



G03679390

Fig. 7: Installing Trim - Hatch Area
Courtesy of AMERICAN HONDA MOTOR CO., INC.

TRIM REMOVAL/INSTALLATION - TAILGATE AREA

Special Tools Required

KTC trim tool set SOJATP2014 *

* Available through the American Honda Tool and Equipment Program; call 888-424-6857

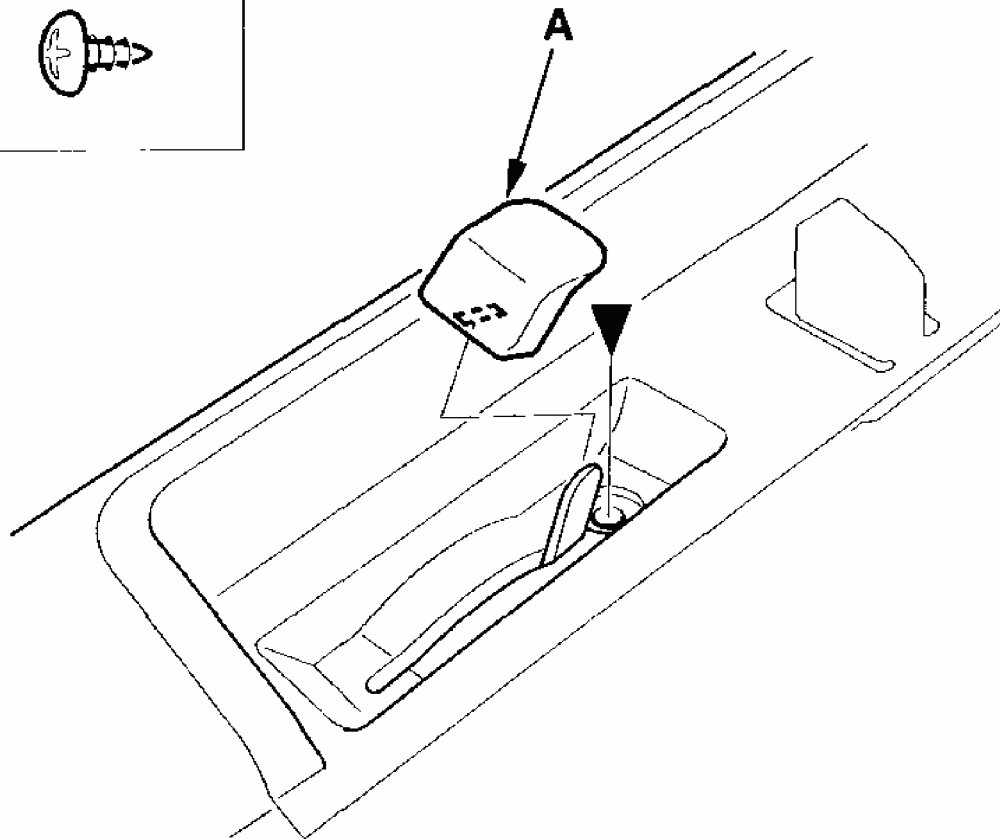
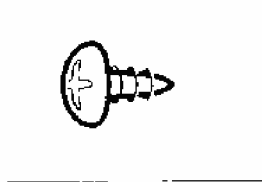
NOTE:

- Put on gloves to protect your hands.
- Use the appropriate tool from the KTC trim tool set to avoid damage when prying components.
- Take care not to bend or scratch the trim and panels.

1. Remove the tailgate weatherstrip as needed (see TAILGATE WEATHERSTRIP REPLACEMENT).
2. Remove the tailgate handle knob (A), and remove the screw.

Fastener Location

► : Screw, 1



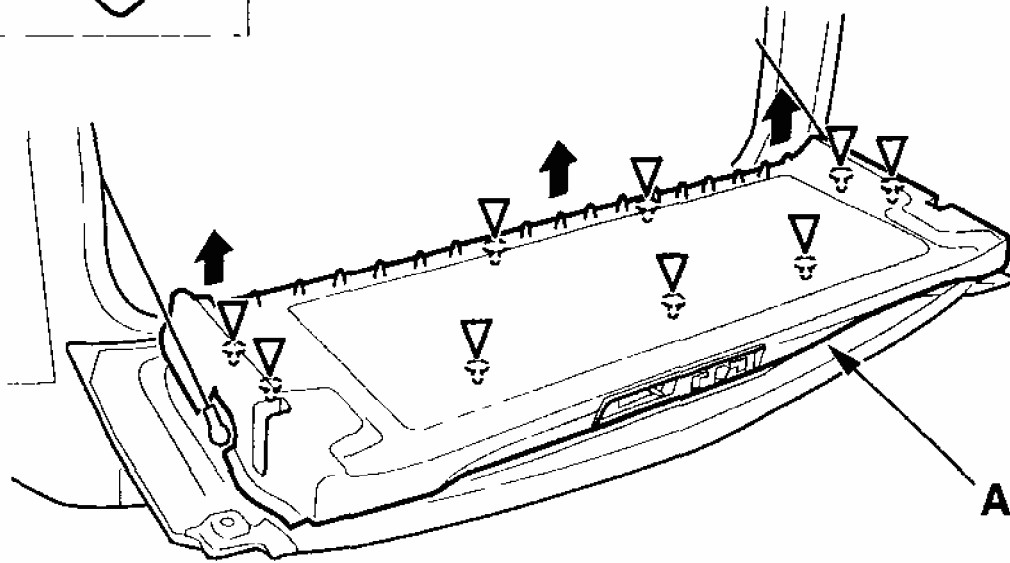
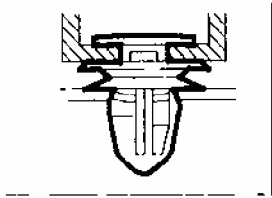
G03679391

Fig. 8: Removing Tailgate Handle Knob And Screw
Courtesy of AMERICAN HONDA MOTOR CO., INC.

3. Open the tailgate. Starting at the bottom edge on the tailgate lower trim panel (A), pull the trim panel up to detach the clips.

Fastener Locations

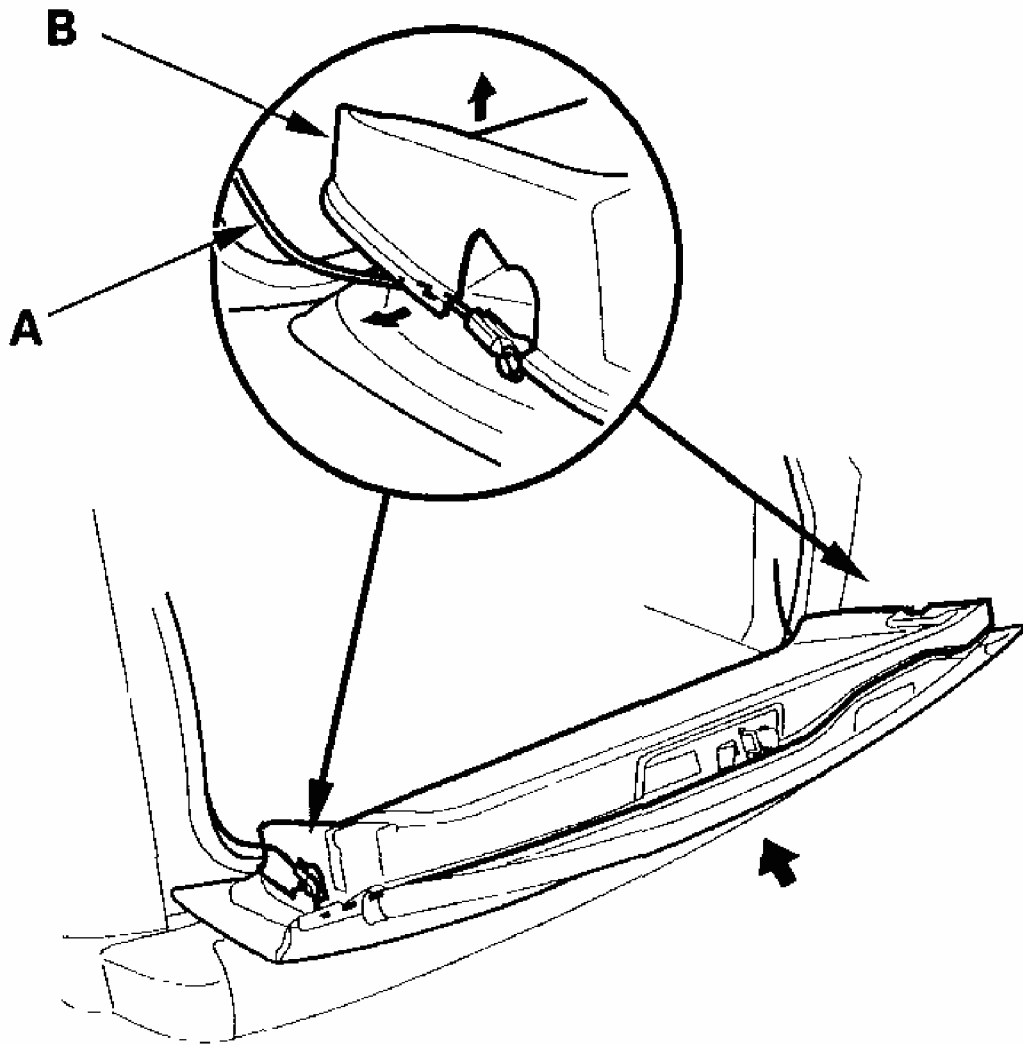
▷ : Clip, 9
(White)



G03679392

Fig. 9: Pulling Trim Panel Up To Detaching Clips
Courtesy of AMERICAN HONDA MOTOR CO., INC.

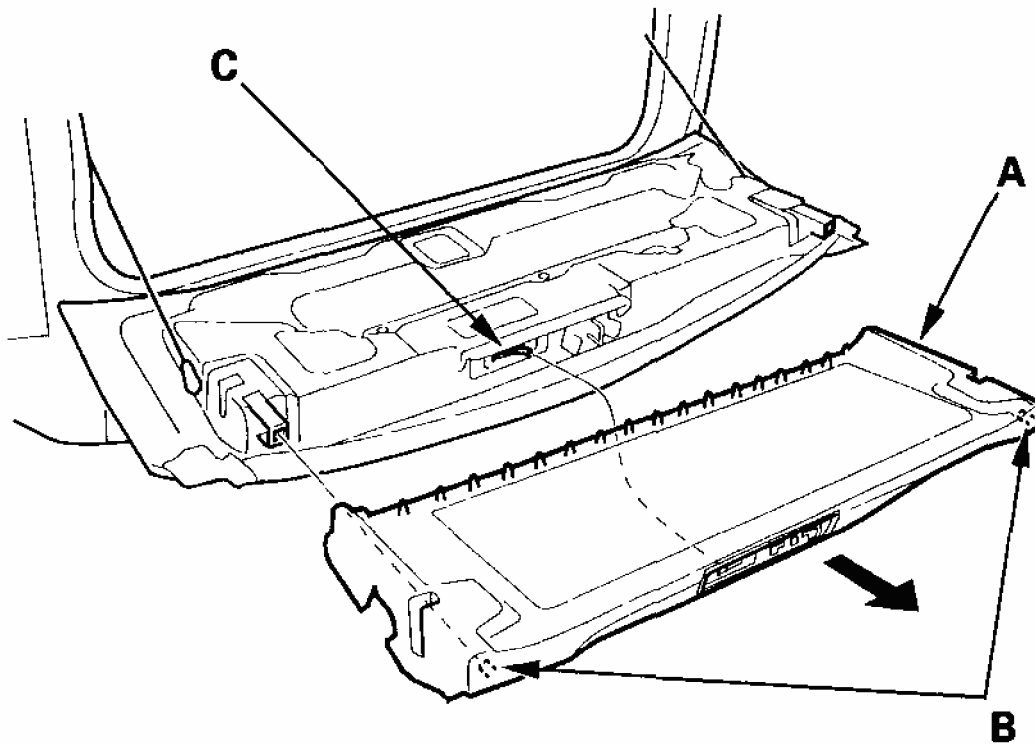
4. Close the tailgate half-way and hold it there to loosen the tailgate support cables (A) on both sides. Pull up on the bottom edge of the trim panel (B) and pass the cables under the trim panel on each side.



G03679393

Fig. 10: Loosening Tailgate Support Cables On Both Sides
Courtesy of AMERICAN HONDA MOTOR CO., INC.

5. Pull the trim panel (A) out to release the pins (B) of the trim panel and the tailgate handle lever (C), then remove the trim panel.



G03679394

Fig. 11: Releasing Pins Of Trim Panel And Tailgate Handle Lever
Courtesy of AMERICAN HONDA MOTOR CO., INC.

6. Install the trim panel in the reverse order of removal, and note these items:
 - Check for damaged or stress-whitened clips, and replace them with new ones.
 - Make sure the tailgate handle lever is slipped through the slit of the trim panel properly.
 - Push the clips into place securely.

HEADLINER REMOVAL/INSTALLATION

Special Tools Required

KTC trim tool set SOJATP2014 *

* Available through the American Honda Tool and Equipment Program; call 888-424-6857

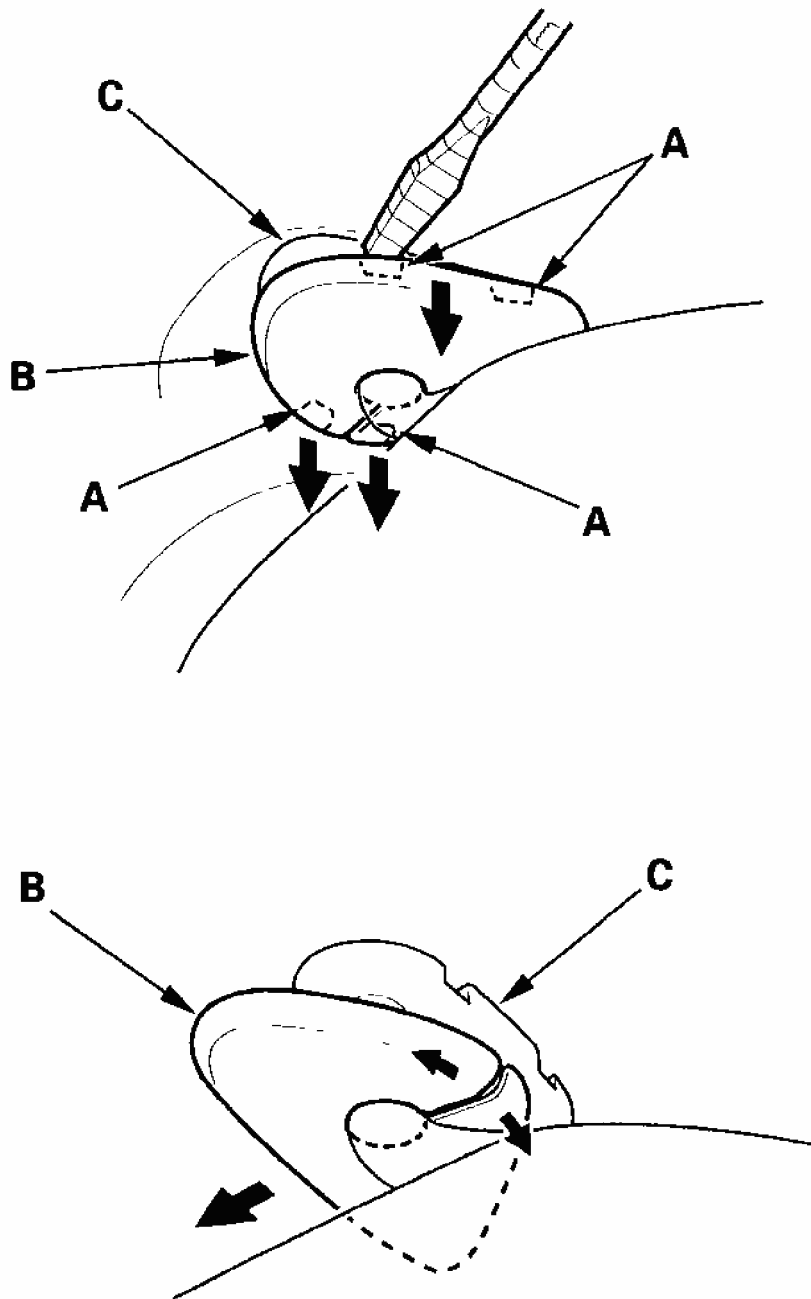
NOTE:

- Use the appropriate tool from the KTC trim tool set to avoid damage when prying components.

- **Take care not to bend and scratch the headliner.**
- **Be careful not to damage the dashboard and other interior trim.**

1. Remove these items:

- Ceiling light (see **CEILING LIGHT TEST/REPLACEMENT**)
 - A-pillar trim, both sides (see **TRIM REMOVAL/INSTALLATION - DOOR AREAS**)
 - Quarter pillar trim, both sides (see **TRIM REMOVAL/INSTALLATION - REAR SIDE PILLAR AREA**)
 - Rear roof trim (see **D-PILLAR TRIM/REAR ROOF TRIM**)
 - D-pillar trim, both sides (see **D-PILLAR TRIM/REAR ROOF TRIM**)
 - Rearview mirror (see **REARVIEW MIRROR REPLACEMENT**)
 - Skylight (for some models)
2. Release the tabs (A) on both sides with the appropriate tool from the KTC trim tool set, then remove the sunvisor cap (B) from the bracket (C). Turn the cap, and remove it.



G03679395

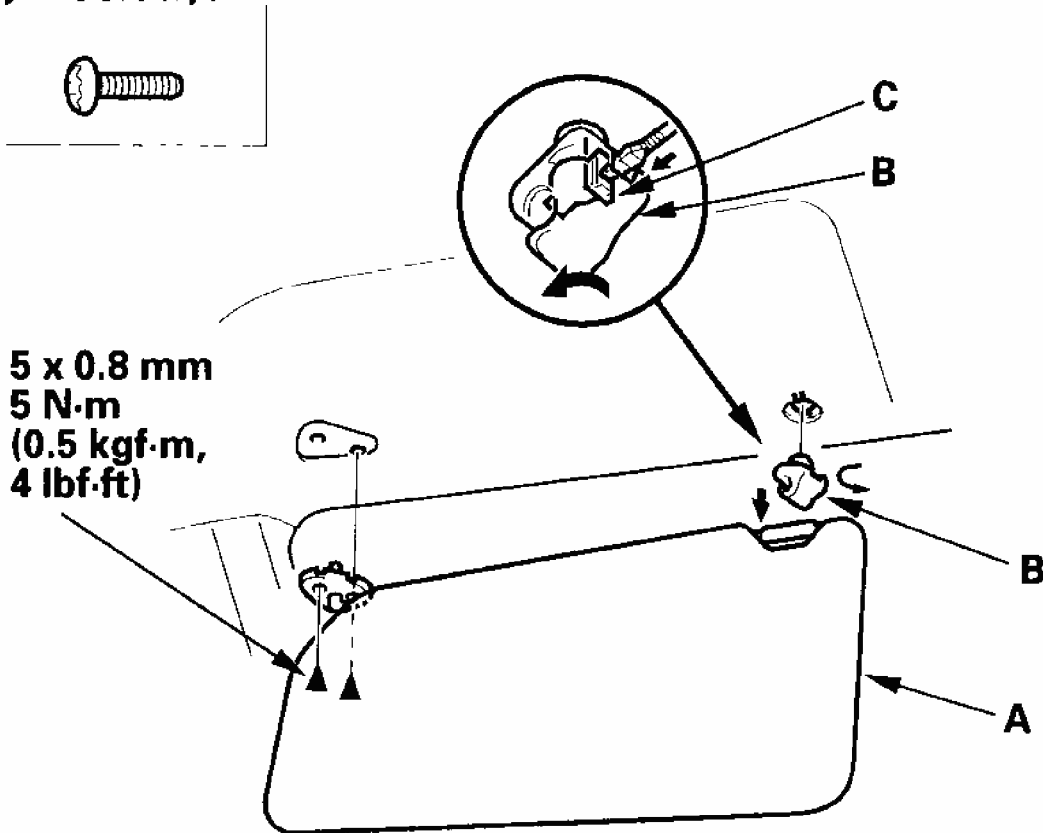
Fig. 12: Releasing Tabs With Appropriate Tool From KTC Trim Tool
Courtesy of AMERICAN HONDA MOTOR CO., INC.

3. Remove the sunvisor (A) and holder (B) from both sides.
 - o 1 Using a T25 Torx bit, remove the screws.
 - o 2 Remove the sunvisor from the body and holder.

- 3 Using the appropriate tool from the KTC trim tool set, push the hook (C), and turn the holder 90° then pull it out.

Fastener Locations

▶ : Screw, 2



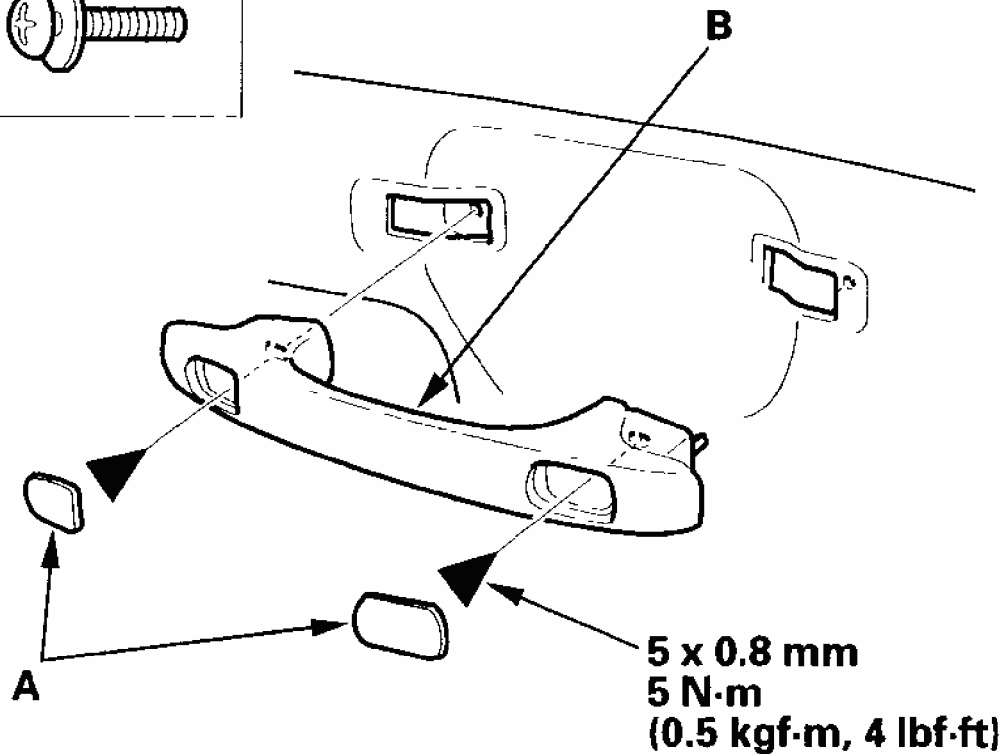
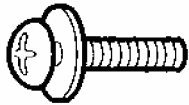
G03679396

Fig. 13: Removing Sunvisor And Holder And Torque Specifications
Courtesy of AMERICAN HONDA MOTOR CO., INC.

4. On the front passenger's side: Remove the caps (A), and remove the screws, then remove the grab handle (B).

Fastener Locations

▶ : Screw, 2



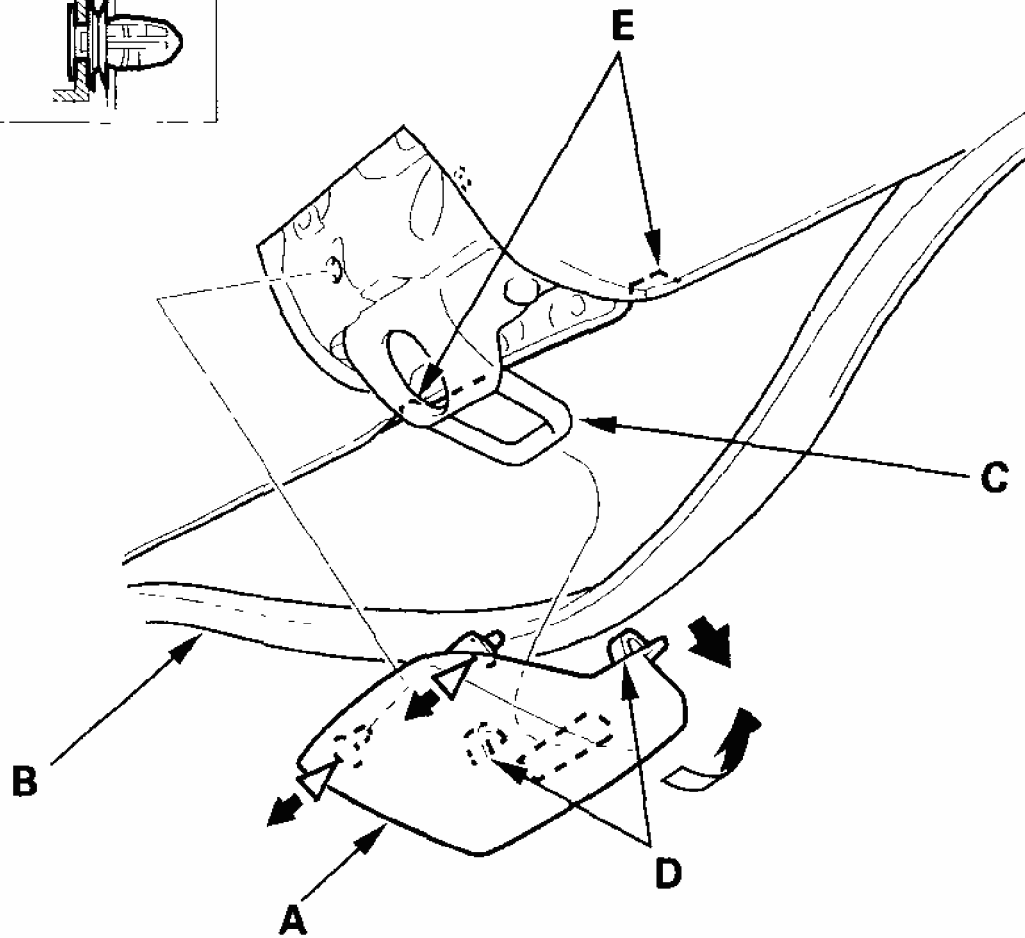
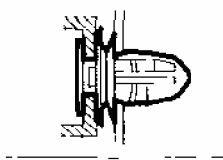
G03679397

Fig. 14: Removing Grab Handle Bolt And Torque Specifications
Courtesy of AMERICAN HONDA MOTOR CO., INC.

5. Remove the upper striker covers (A) from both side.
 - 1 Pull the door opening seal (B) away as needed.
 - 2 Pull out on the inside edge of the cover to release the clips.
 - 3 Pull the cover to the rear to release it from the rear access panel upper striker (C). The hooks (D) on the cover must pass through the notches (E) in the door opening flange.

Fastener Locations

▷ : Clip, 2
(Black)



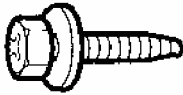
G03679398

Fig. 15: Removing Upper Striker Covers
Courtesy of AMERICAN HONDA MOTOR CO., INC.

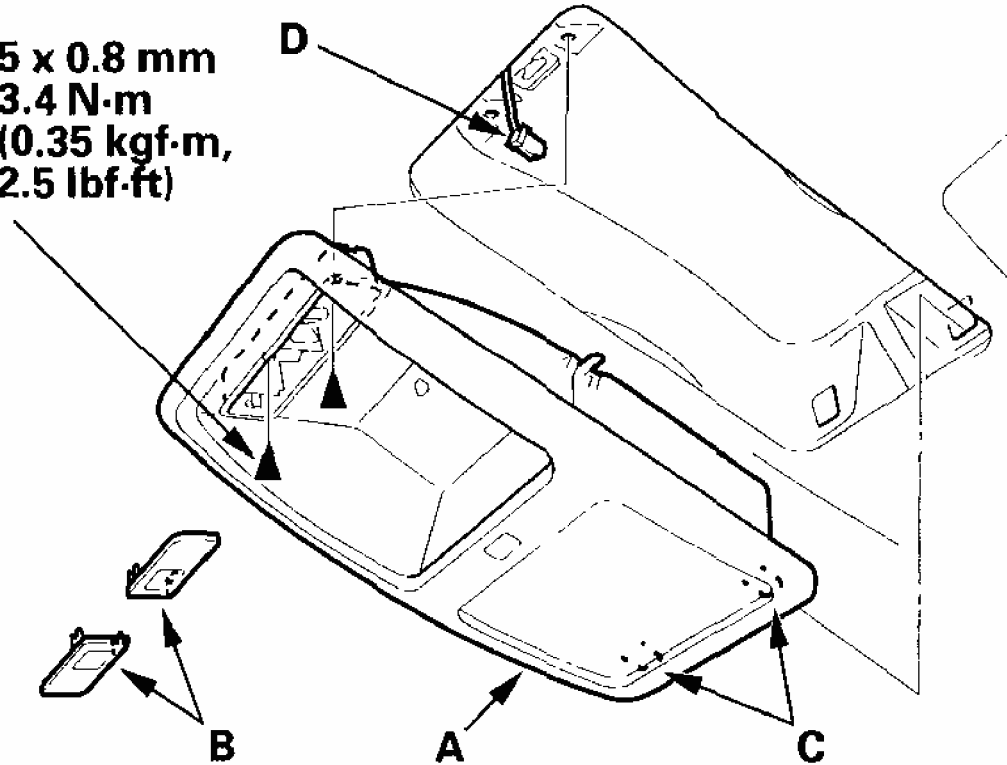
6. If equipped, remove the roof console (A).
 - 1 Remove the lens (B).
 - 2 Remove the self-tapping screws.
 - 3 Pull the console down, and slide it rearward to release the hooks (C). Take care not to damage the interior wire harness.
 - 4 Disconnect the front individual map light connector (D).

Fastener Locations

▶: Screw, 2



5 x 0.8 mm
3.4 N·m
(0.35 kgf·m,
2.5 lbf·ft)



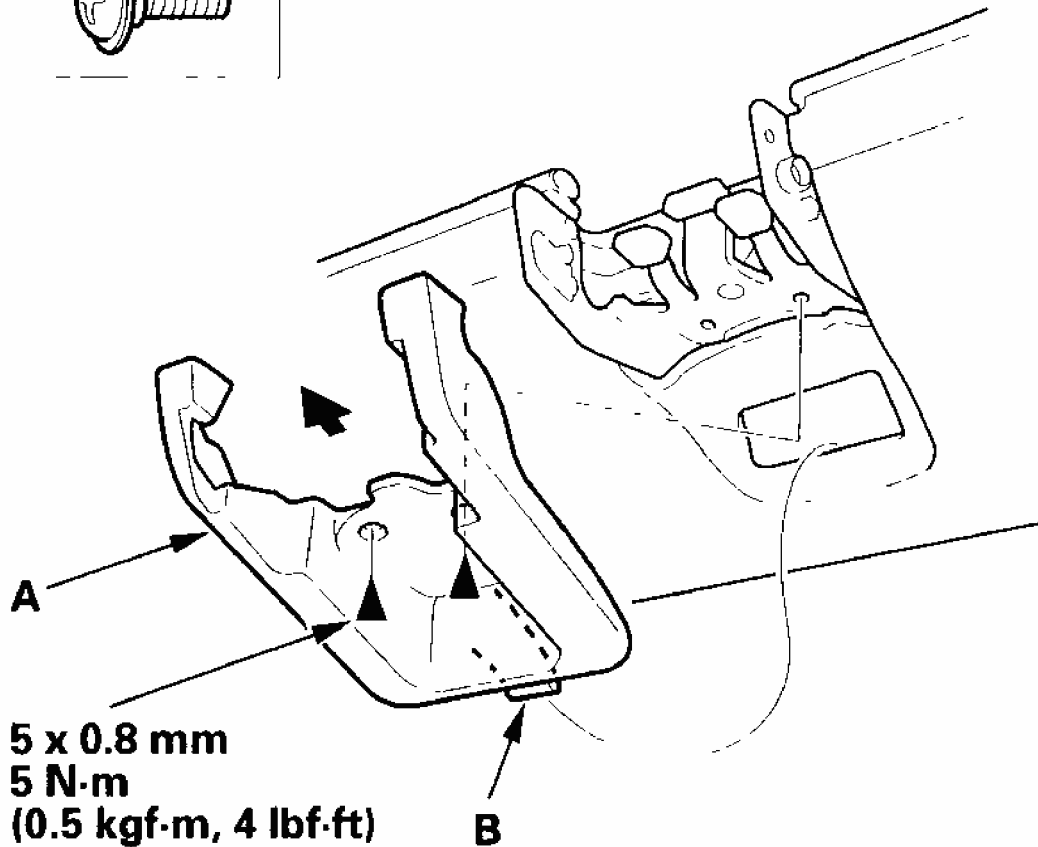
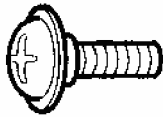
G03679399

Fig. 16: Removing Roof Console And Torque Specifications
Courtesy of AMERICAN HONDA MOTOR CO., INC.

7. If equipped with a skylight, remove the screws, and slide the glass latch handle trim (A) forward to release the hook (B), then remove the trim.

Fastener Locations

▶: Screw, 2



G03679400

Fig. 17: Removing Slide Glass Latch Handle Trim And Screw And Torque Specifications

Courtesy of AMERICAN HONDA MOTOR CO., INC.

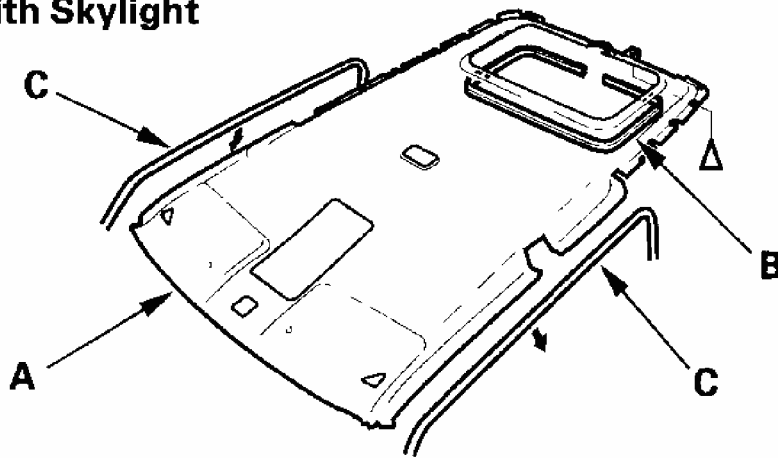
8. With the help of an assistant, remove the headliner (A).
 - 1 If equipped with a skylight, remove the roof trim (B).
 - 2 Remove the clip from the rear edge of the headliner.
 - 3 Remove the remaining door opening seal (C) from each opening.
 - 4 Lower the headliner.

Fastener Location

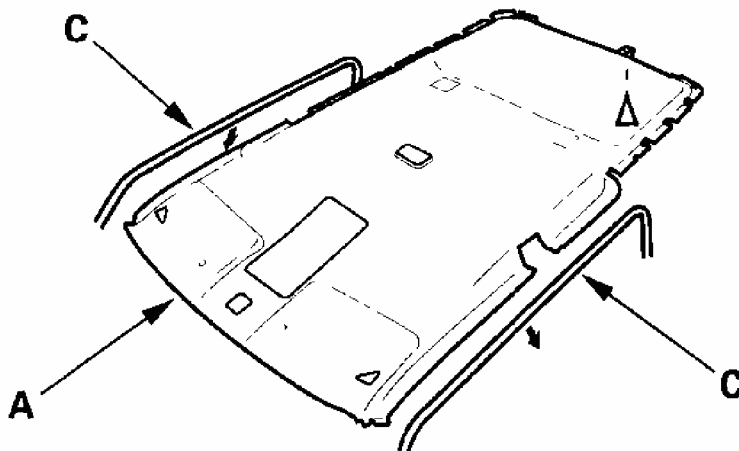
▷ : Clip, 1



With Skylight



Without Skylight



G03679401

Fig. 18: Removing Headliner

Courtesy of AMERICAN HONDA MOTOR CO., INC.

9. Remove the headliner through the hatch opening. Take care not to damage the headliner.
10. Detach the hooks, then remove the front roof side pads (A) and rear roof side pads (B) from both sides.

2003 Honda Element DX

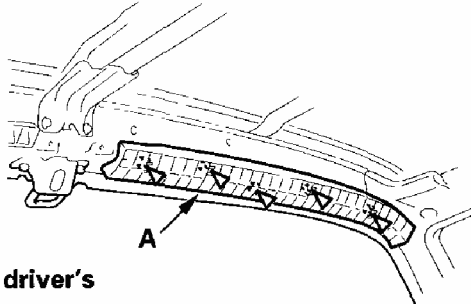
2003-06 ACCESSORIES & EQUIPMENT Interior Trim - Element

Fastener Locations

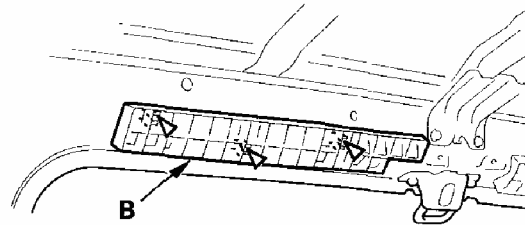
▷ : Hook, 15
(Both sides)



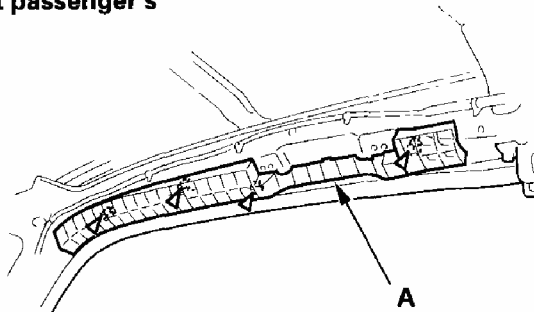
Front driver's



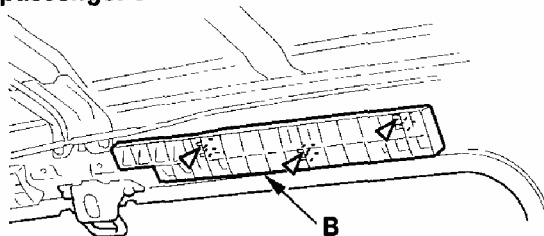
Rear driver's



Front passenger's



Rear passenger's



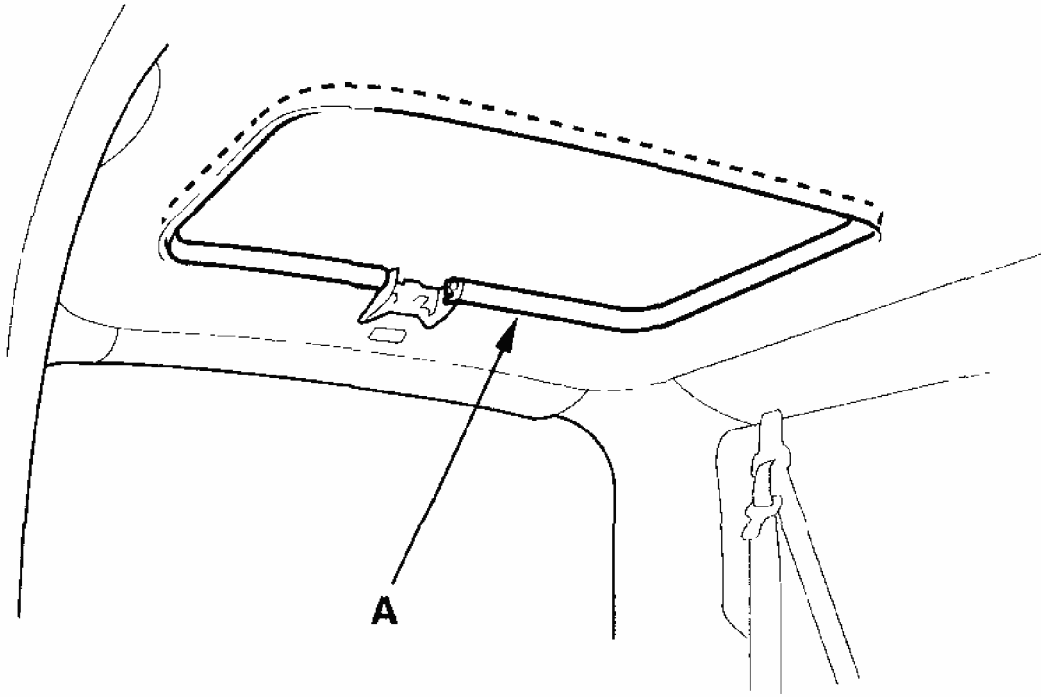
G03679402

Fig. 19: Removing Front Roof Side Pads And Rear Roof Side Pads
Courtesy of AMERICAN HONDA MOTOR CO., INC.

11. Install the headliner in the reverse order of removal, and note these items:
 - Check for damaged or stress-whitened clips, and replace them with new ones.
 - When reinstalling the headliner through the tailgate opening, be careful not to fold

or bend it. Also, be careful not to scratch the body.

- Check that both sides of the headliner are securely attached to the trim.
- With skylight: When installing the roof trim (A), align the roof trim ends with the opening flange of the skylight frame as shown.



G03679403

Fig. 20: Installing Headliner

Courtesy of AMERICAN HONDA MOTOR CO., INC.

FLOOR COVERING REPLACEMENT

Special Tools Required

KTC trim tool set SOJATP2014 *

* Available through the American Honda Tool and Equipment Program; call 888-424-6857

SRS components are located in this area. Review the SRS component locations (see **COMPONENT LOCATION INDEX**) and the precautions and procedures (see **PRECAUTIONS AND PROCEDURES**) before performing repairs or service.

NOTE:

- Put on gloves to protect your hands.

- Use the appropriate tool from the KTC trim tool set to avoid damage when prying components.
- Take care not to damage, wrinkle or twist the floor covering.
- Be careful not to damage the dashboard or other interior trim pieces.

FRONT FLOOR COVERING

1. Remove these items:

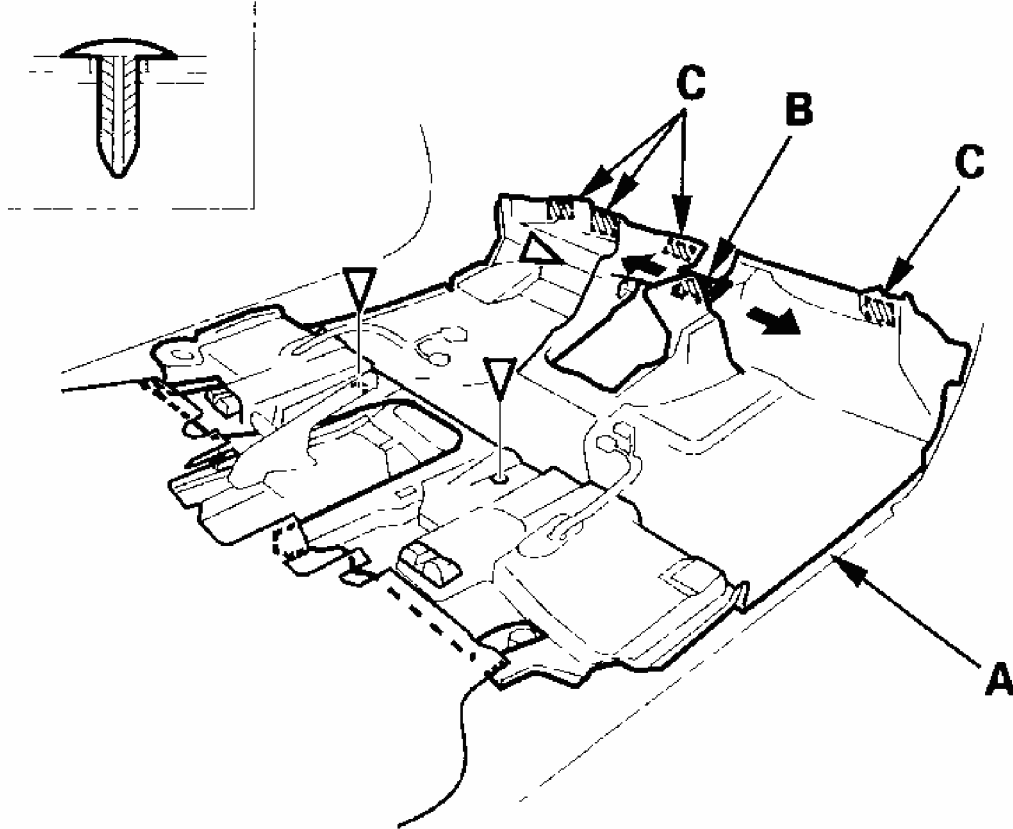
- Front seats, both sides (see **FRONT SEAT REMOVAL/INSTALLATION**)
- Door sill trim, both sides (see **TRIM REMOVAL/INSTALLATION - DOOR AREAS**)
- Kick panels, both sides (see **TRIM REMOVAL/INSTALLATION - DOOR AREAS**)
- Passenger's dashboard under cover (see **PASSENGER'S DASHBOARD UNDER COVER REMOVAL/INS**)
- Center lower cover (see **CENTER LOWER COVER REMOVAL/INSTALLATION**)
- Center console (see **CENTER CONSOLE REMOVAL/INSTALLATION**)
- Subwoofer (see **SUBWOOFER (EX AND '06 EX-P MODELS)**)

2. Remove the front floor covering (A).

- 1 Remove the clips.
- 2 Release the fastener (B), then pull back the floor covering from under the heater unit.
- 3 Release the fasteners (C) on the front edge of the floor covering, then pull back the floor covering from under the dashboard.

Fastener Locations

▷ : Clip, 3



G03679404

Fig. 21: Removing Front Floor Covering And Clip
Courtesy of AMERICAN HONDA MOTOR CO., INC.

3. Remove the front floor covering.
4. Install the floor covering in the reverse order of removal, and note these items:
 - Take care not to damage, wrinkle or twist the floor covering.
 - Make sure the seat harnesses are routed correctly.
 - Check for damaged or stress-whitened clips, and replace them with new ones.
 - Push the clips into place securely.

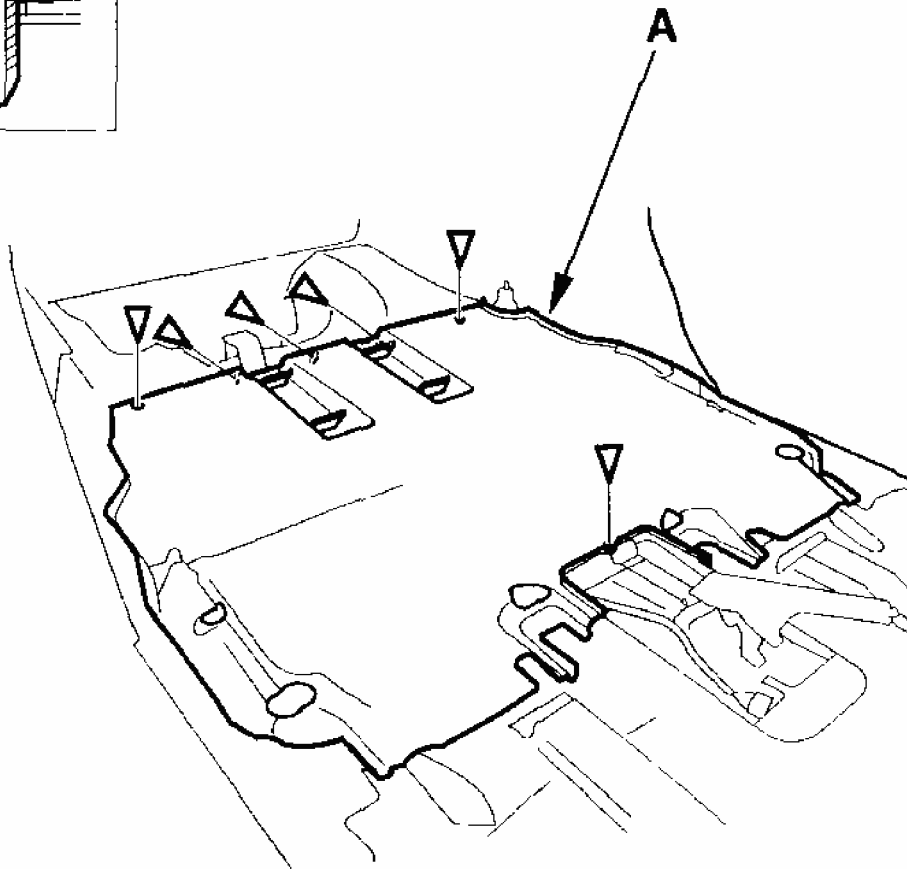
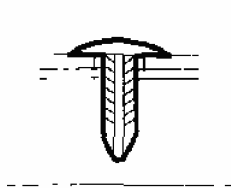
REAR FLOOR COVERING

1. Remove these items:

- Front seats, both sides (see **FRONT SEAT REMOVAL/INSTALLATION**)
 - Door sill trim, both sides (see **TRIM REMOVAL/INSTALLATION - DOOR AREAS**)
 - Rear side trim panel, both sides (see **TRIM REMOVAL/INSTALLATION - REAR SIDE AREA**)
 - Center console (see **CENTER CONSOLE REMOVAL/INSTALLATION**)
2. Remove the clips, then remove the rear floor covering (A).

Fastener Locations

▷ : Clip, 6



G03679405

Fig. 22: Removing Rear Floor Covering And Clips
Courtesy of AMERICAN HONDA MOTOR CO., INC.

2003 Honda Element DX

2003-06 ACCESSORIES & EQUIPMENT Interior Trim - Element

3. Install the floor covering in the reverse order of removal, and note these items:
 - Take care not to damage, wrinkle or twist the floor covering.
 - Check for damaged or stress-whitened clips, and replace them with new ones.
 - Push the clips into place securely.