

# **SECTION 6-1**

---

## **SERVICE PROCEDURES AND SPECIFICATIONS**

### **Introduction**

Vehicle identification .....	236
Engine compartment overview (GS430) .....	237
Engine compartment overview (GS300) .....	238
Do-it-yourself service precautions .....	239
Positioning the jack .....	240
Parts and tools .....	241

## INTRODUCTION

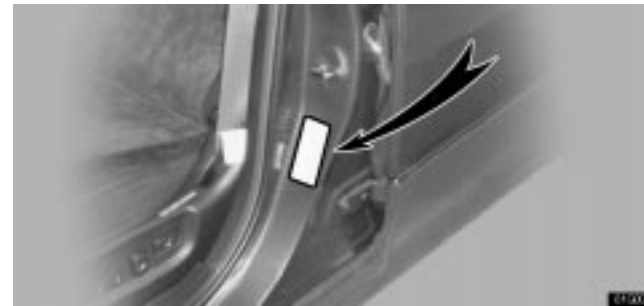
---

### VEHICLE IDENTIFICATION

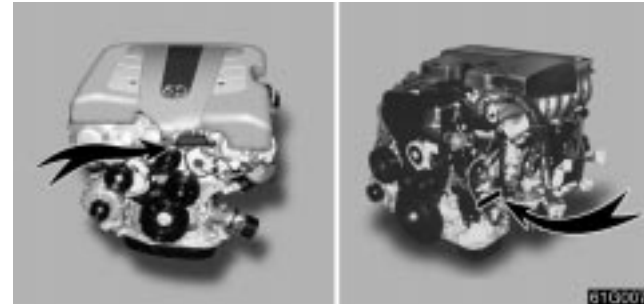


**The vehicle identification number (VIN) is the legal identifier for your vehicle. This number is on the left top of the instrument panel and can be seen through the windshield from outside.**

This is the primary identification number for your Lexus. It is used in registering the ownership of your vehicle.



The vehicle identification number (VIN) is also on the Certification Label.

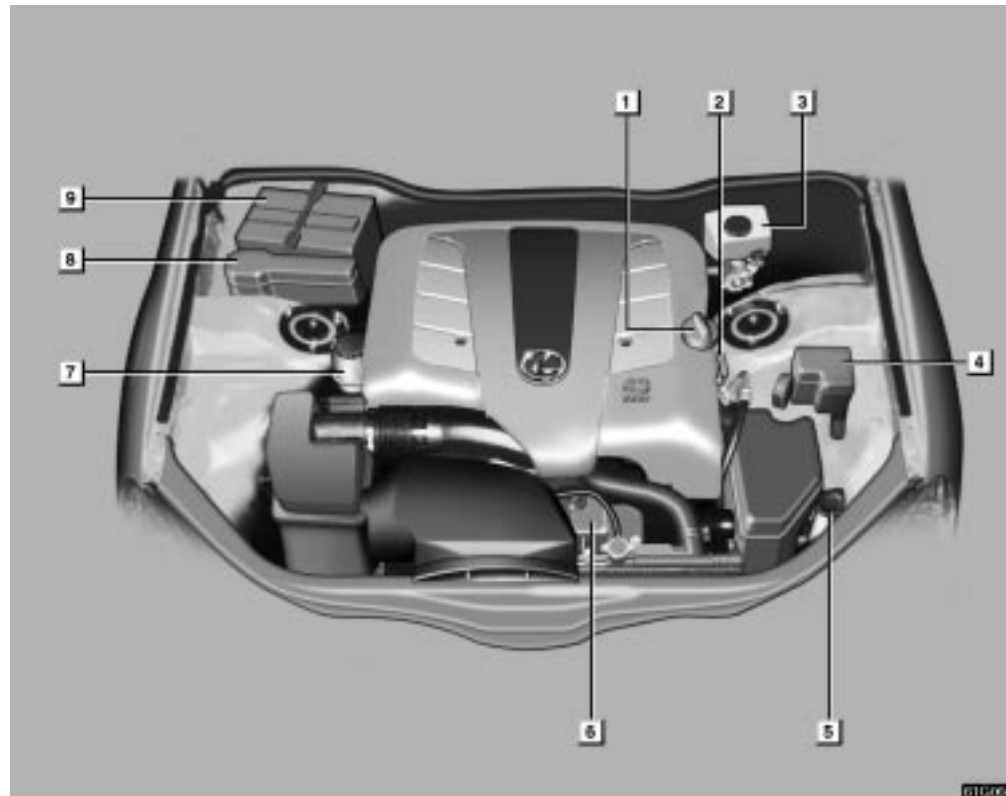


▶ **GS430**

▶ **GS300**

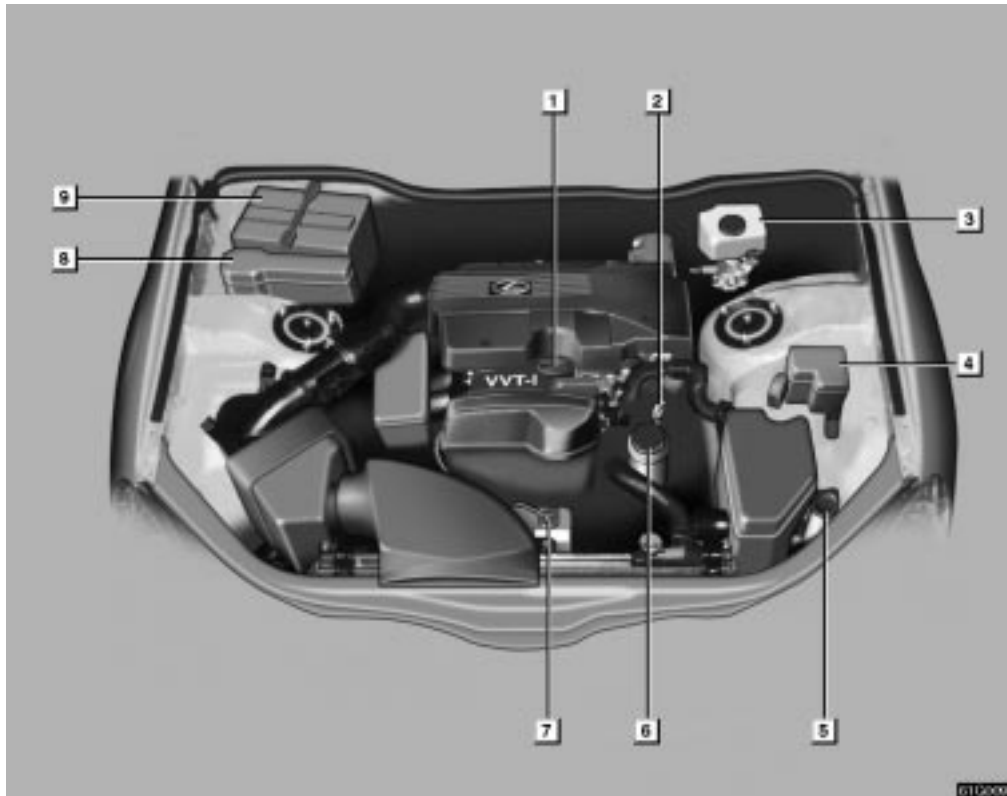
The engine number is stamped on the engine block as shown.

## ENGINE COMPARTMENT OVERVIEW (GS430)



- 1 Engine oil filler cap
- 2 Engine oil level dipstick
- 3 Brake fluid reservoir
- 4 Fuse box
- 5 Washer fluid tank
- 6 Engine coolant reservoir
- 7 Power steering fluid reservoir
- 8 Fuse box
- 9 Battery

## ENGINE COMPARTMENT OVERVIEW (GS300)



- 1** *Engine oil filler cap*
- 2** *Engine oil level dipstick*
- 3** *Brake fluid reservoir*
- 4** *Fuse box*
- 5** *Washer fluid tank*
- 6** *Power steering fluid reservoir*
- 7** *Engine coolant reservoir*
- 8** *Fuse box*
- 9** *Battery*

## DO-IT-YOURSELF SERVICE PRECAUTIONS

**If you perform maintenance yourself, be sure to follow the correct procedure given in this Section.**

You should be aware that improper or incomplete servicing may result in operating problems.

Performing do-it-yourself maintenance during the warranty period may affect your warranty coverage. Read the separate Lexus Warranty statement for details and suggestions.

This Section gives instructions only for those items that are relatively easy for an owner to perform. As explained in Section 5, there are still a number of items that must be performed by a qualified technician with special tools.

For information on tools and parts for do-it-yourself maintenance, see "Parts and tools" on page 241.

Utmost care should be taken when working on your vehicle to prevent accidental injury. Here are a few precautions that you should be especially careful to observe:



### CAUTION

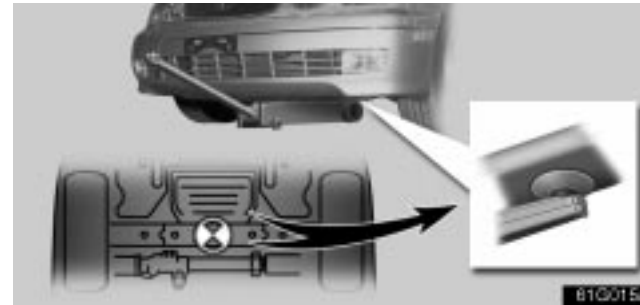
- When the engine is running, keep hands, clothing, and tools away from the moving fan and engine drive belt. (Removing rings, watches, and ties is advisable.)
- Right after driving, the engine compartment – the engine, radiator, exhaust manifold and power steering fluid reservoir, etc. – will be hot. So be careful not to touch them. Oil and other fluids may also be hot.
- Do not smoke, cause sparks or allow open flames around fuel or the battery. Their fumes are flammable.
- Be extremely cautious when working on the battery. It contains poisonous and corrosive sulfuric acid.
- Do not get under your vehicle with just the body jack supporting it. Always use automotive jack stands or other solid supports.
- Be sure the ignition is off if you work near the electric cooling fan or radiator grille. With the ignition on, the electric cooling fan may automatically start to run if the air conditioning is on and/or if the coolant temperature is high.
- Use eye protection whenever you work on or under your vehicle where you may be exposed to flying or falling material, fluid spray, etc.

## INTRODUCTION

### NOTICE

- Remember that battery and ignition cables carry high currents or voltages. Be careful of accidentally causing a short circuit.
- Before closing the engine hood, check to see that you have not forgotten any tools, rags, etc.
- Do not drive with the air cleaner removed, or excessive engine wear could result. Also backfiring could cause a fire in the engine compartment.
- Do not overfill automatic transmission fluid, or the transmission could be damaged.
- Be careful not to scratch the glass surface with the wiper frame.

## POSITIONING THE JACK



► Front



► Rear

When jacking up your vehicle with the jack, position the jack correctly as shown in the illustrations.

**CAUTION**

When jacking, be sure to observe the following to reduce the possibility of personal injury:

- Follow jacking instructions.
- Do not put any part of your body under the vehicle supported by the jack. Personal injury may occur.
- Do not start or run the engine while your vehicle is supported by the jack.
- Stop the vehicle on a level firm ground, firmly set the parking brake and put the transmission in "P" (automatic).
- Make sure to set the jack properly in the jack point. Raising the vehicle with jack improperly positioned will damage the vehicle or may allow the vehicle to fall off the jack and cause personal injury.
- Never get under the vehicle when the vehicle is supported by the jack alone; use vehicle support stands.
- Do not raise the vehicle with someone in the vehicle
- When raising the vehicle, do not put an object on or under the jack.

**NOTICE**

*Make sure to place the jack correctly, or your vehicle may be damaged.*

**PARTS AND TOOLS**

Here is a list of parts and tools you will need to perform do-it-yourself maintenance. Remember all Lexus parts are designed in metric sizes, so your tools must be metric.

**Checking the engine oil level****Parts (if level is low):**

- Use API grade SJ, "Energy-Conserving" multigrade engine oil or ILSAC multigrade engine oil. For recommended oil viscosity, see page 254.

**Tools:**

- Rag or paper towel
- Funnel (only for adding oil)

**Checking the engine coolant level****Parts (if level is low):**

- "Toyota Long Life Coolant" or equivalent  
See "Checking the engine coolant level" on page 255 for instructions.

- Demineralized or distilled water

**Tools:**

- Funnel (only for adding coolant)

## INTRODUCTION

---

### Checking brake fluid

**Parts (if level is low):**

- FMVSS No. 116 DOT 3 or SAE J1703 brake fluid

**Tools:**

- Funnel (only for adding fluid)

### Checking power steering fluid

**Parts (if level is low):**

- Automatic transmission fluid DEXRON® II or III

**Tools:**

- Rag or paper towel
- Funnel (only for adding fluid)

### Checking battery condition

**Tools:**

- Warm water
- Baking soda
- Grease
- Conventional wrench (for terminal clamp bolts)

### Checking and replacing the blade type fuses

**Parts (if replacement is necessary):**

- Fuse with same amperage rating as original

### Checking the cartridge type fuses

**Parts (if replacement is necessary):**

- Genuine Lexus fuse or equivalent with same amperage rating as original

### Adding washer fluid

**Parts:**

- Water
- Washer fluid containing antifreeze (for winter use)

**Tools:**

- Funnel