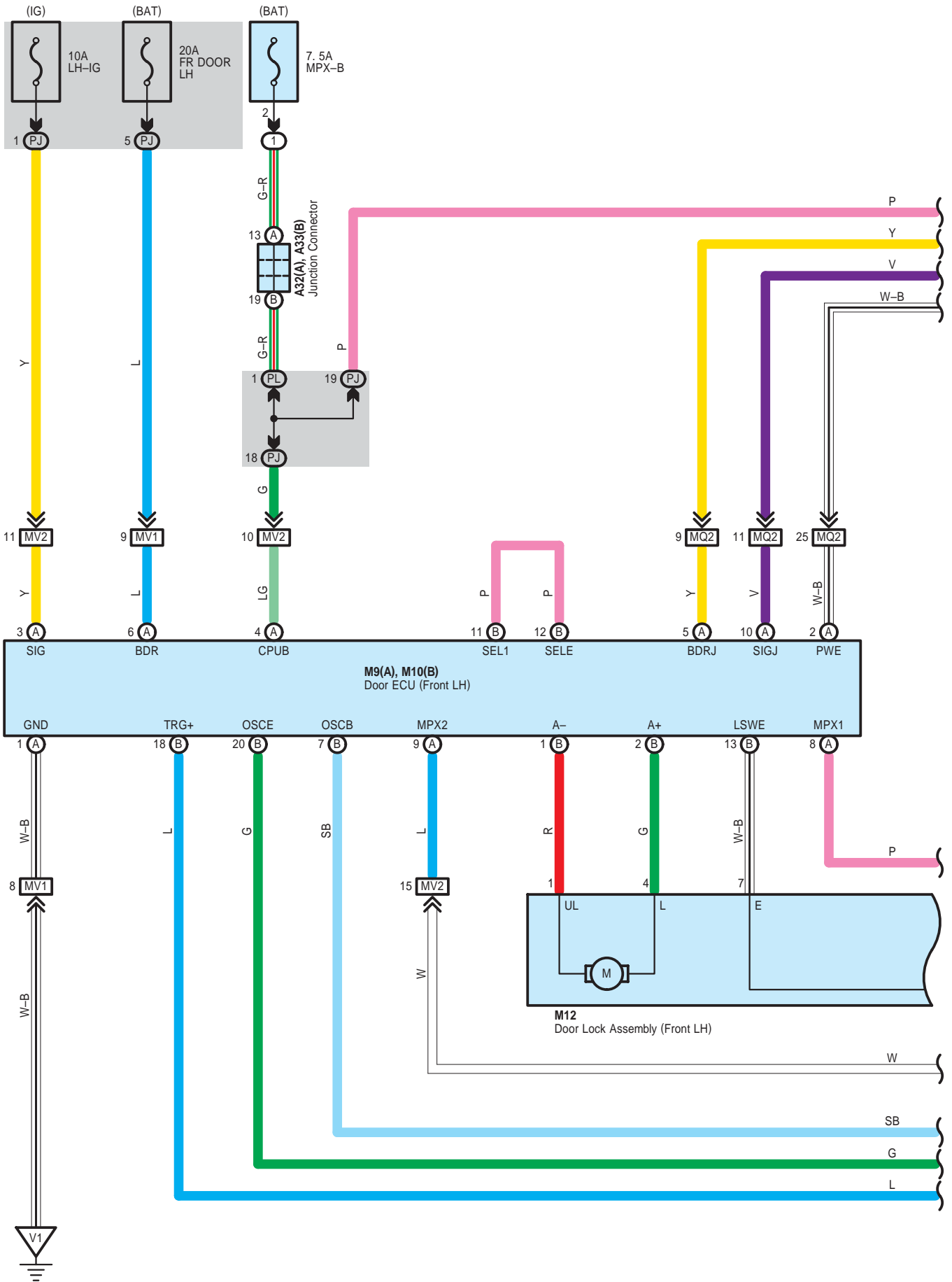
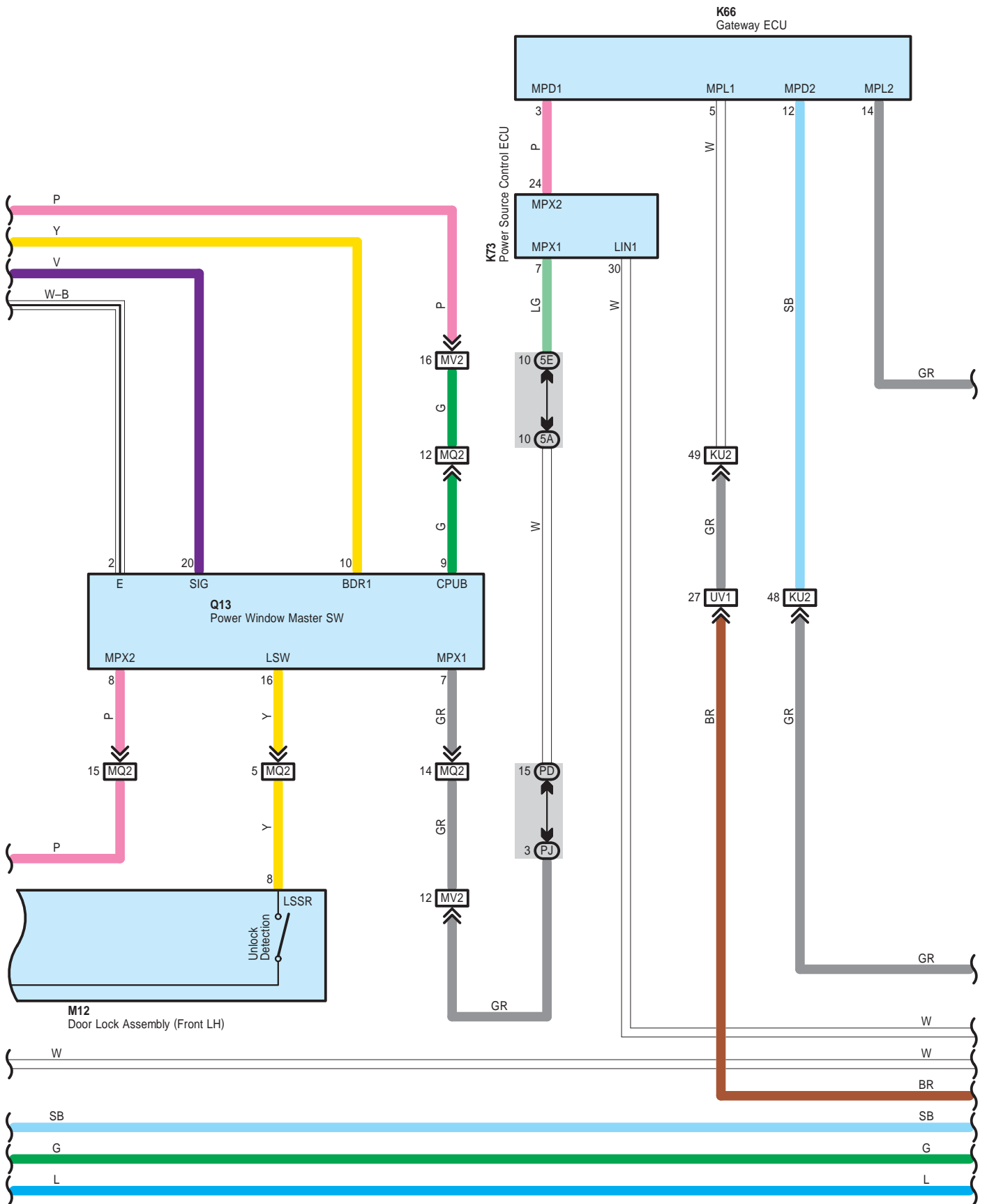
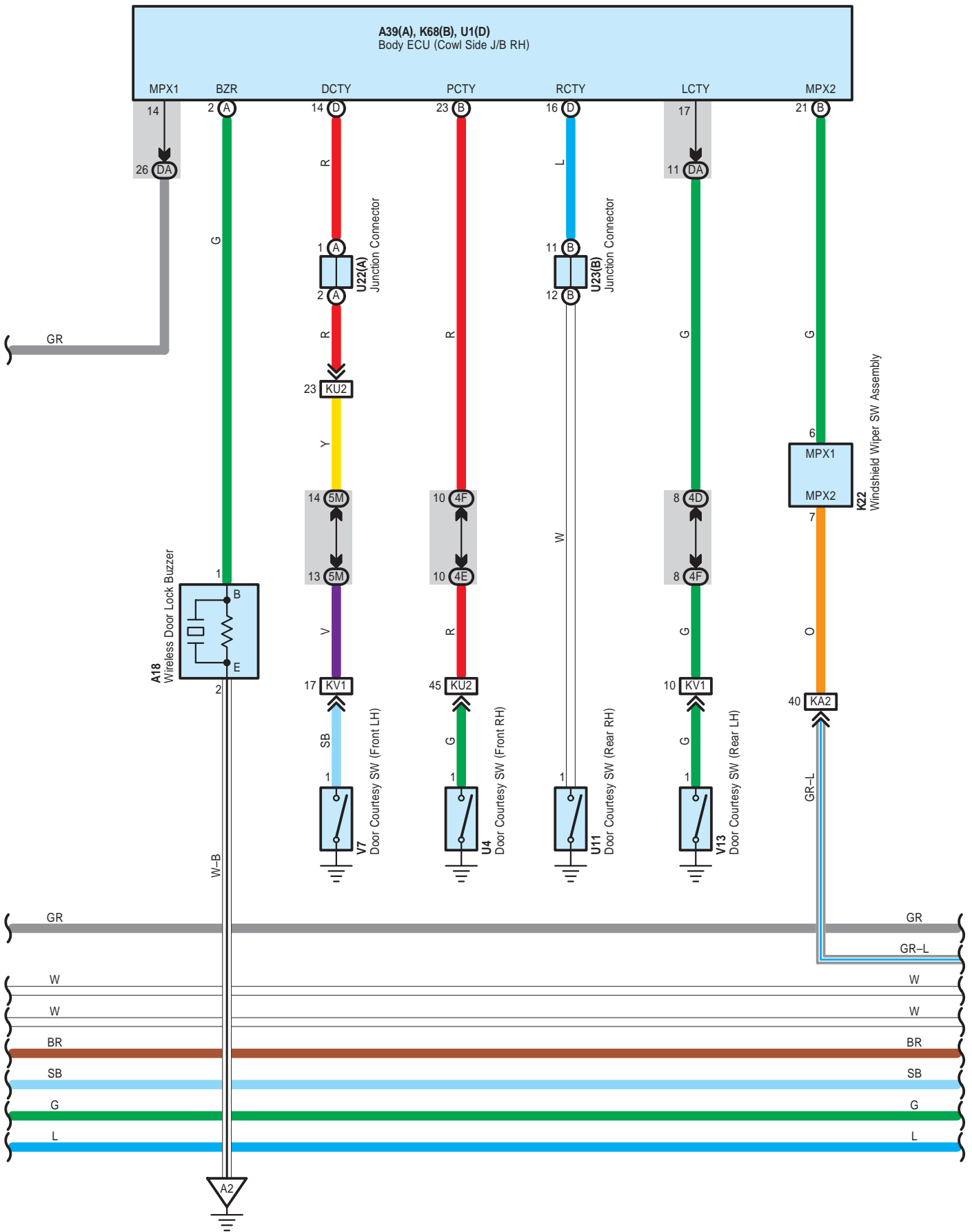


Wireless Door Lock Control

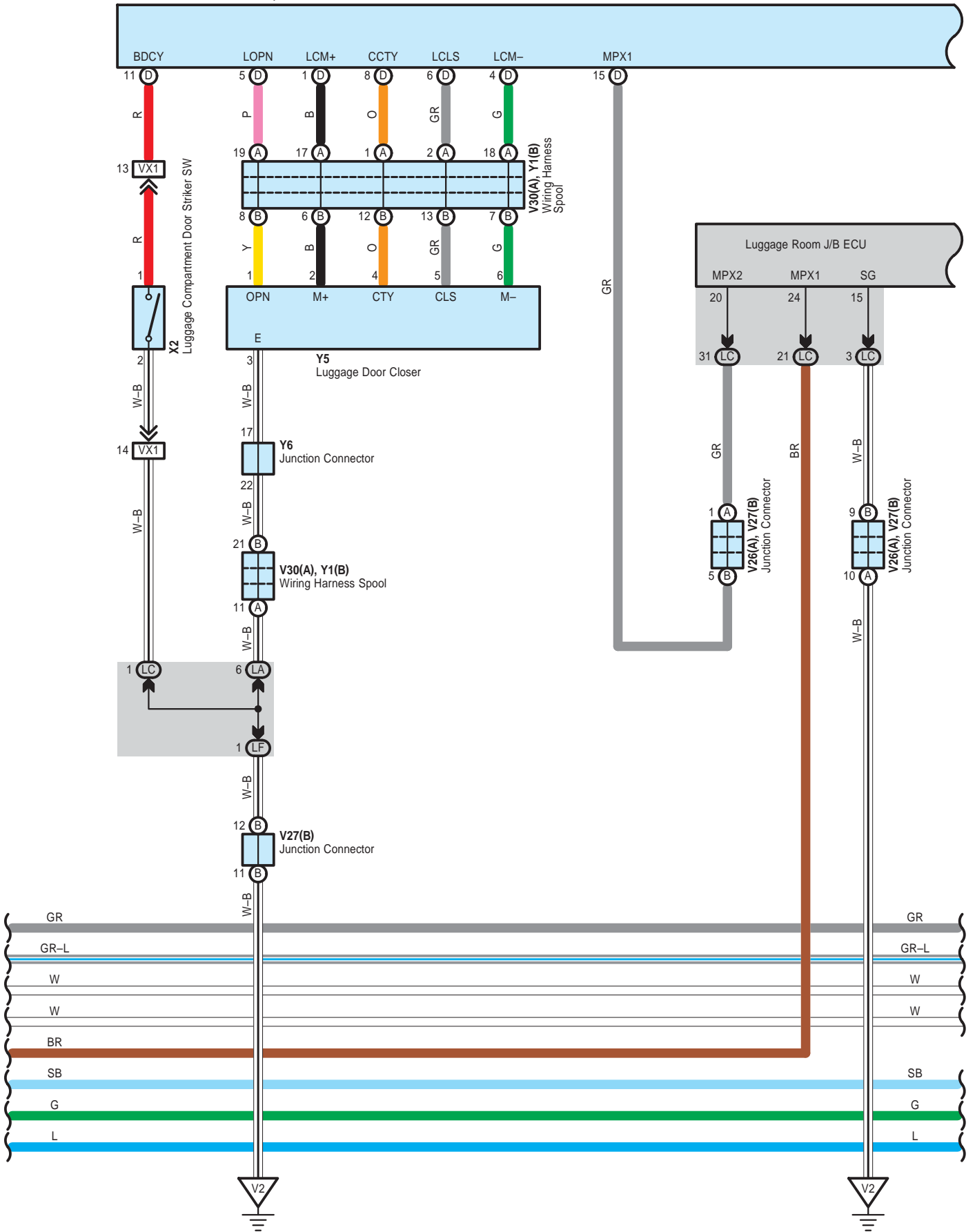




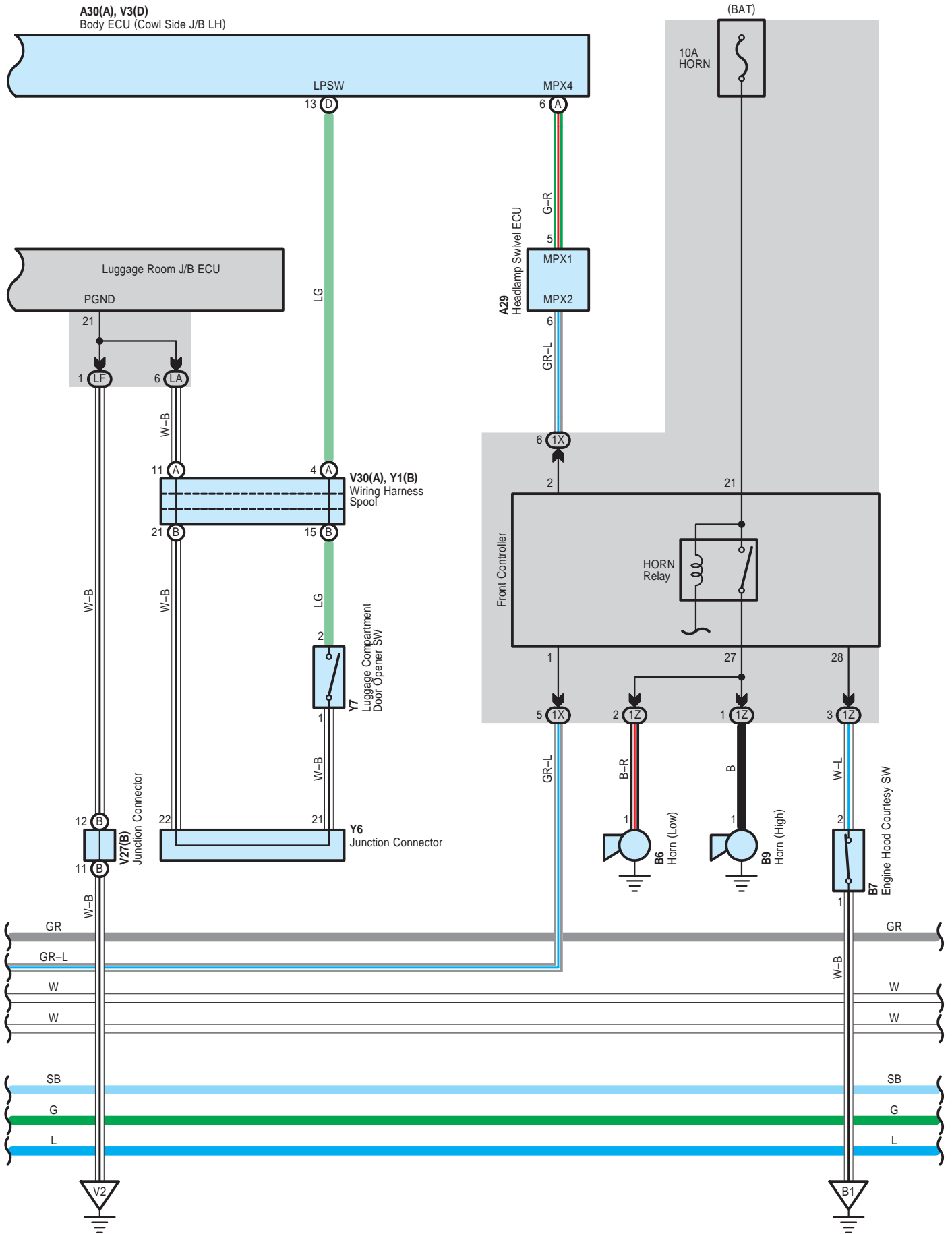
Wireless Door Lock Control

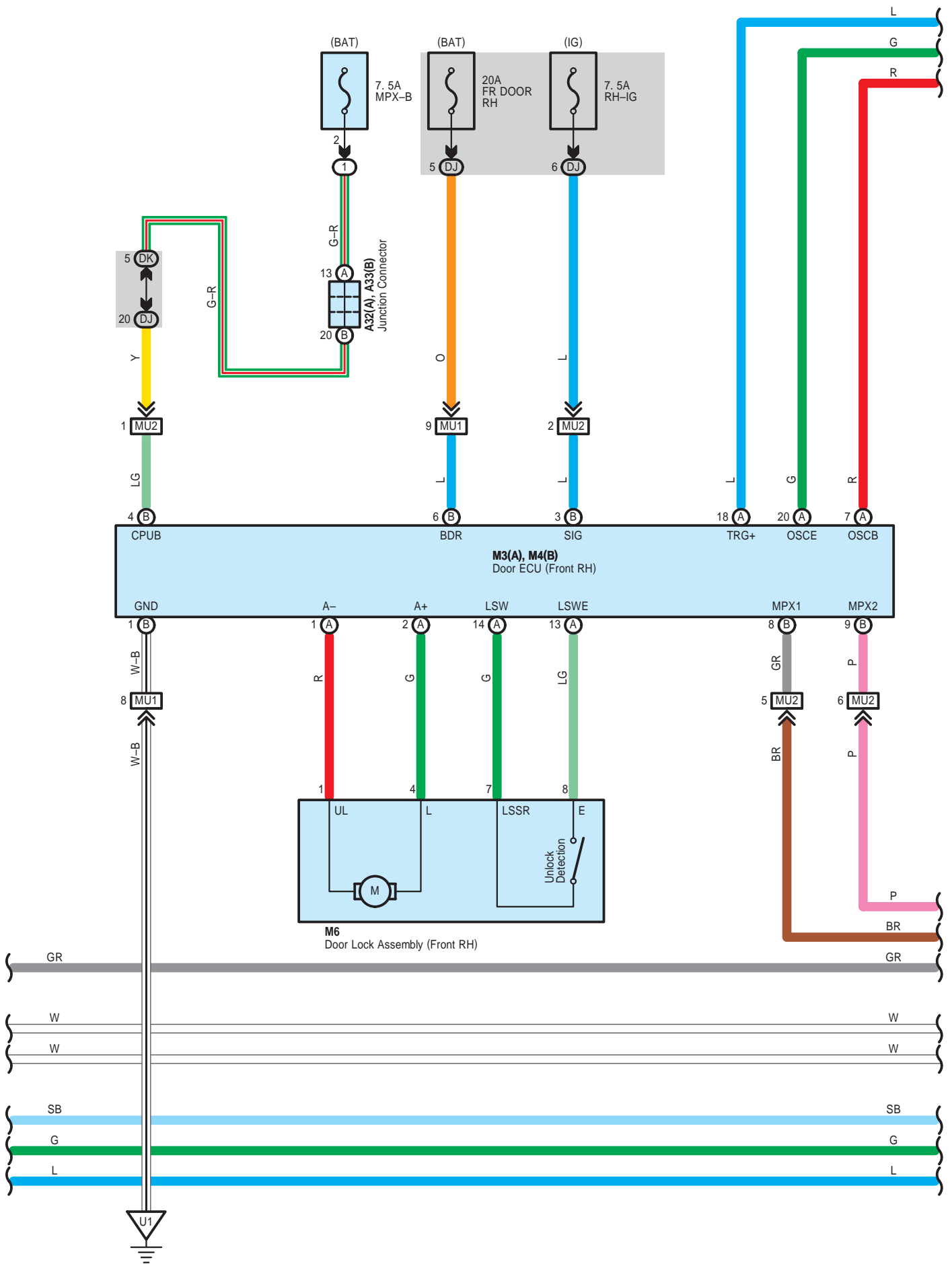


A30(A), V3(D)
Body ECU (Cowl Side J/B LH)

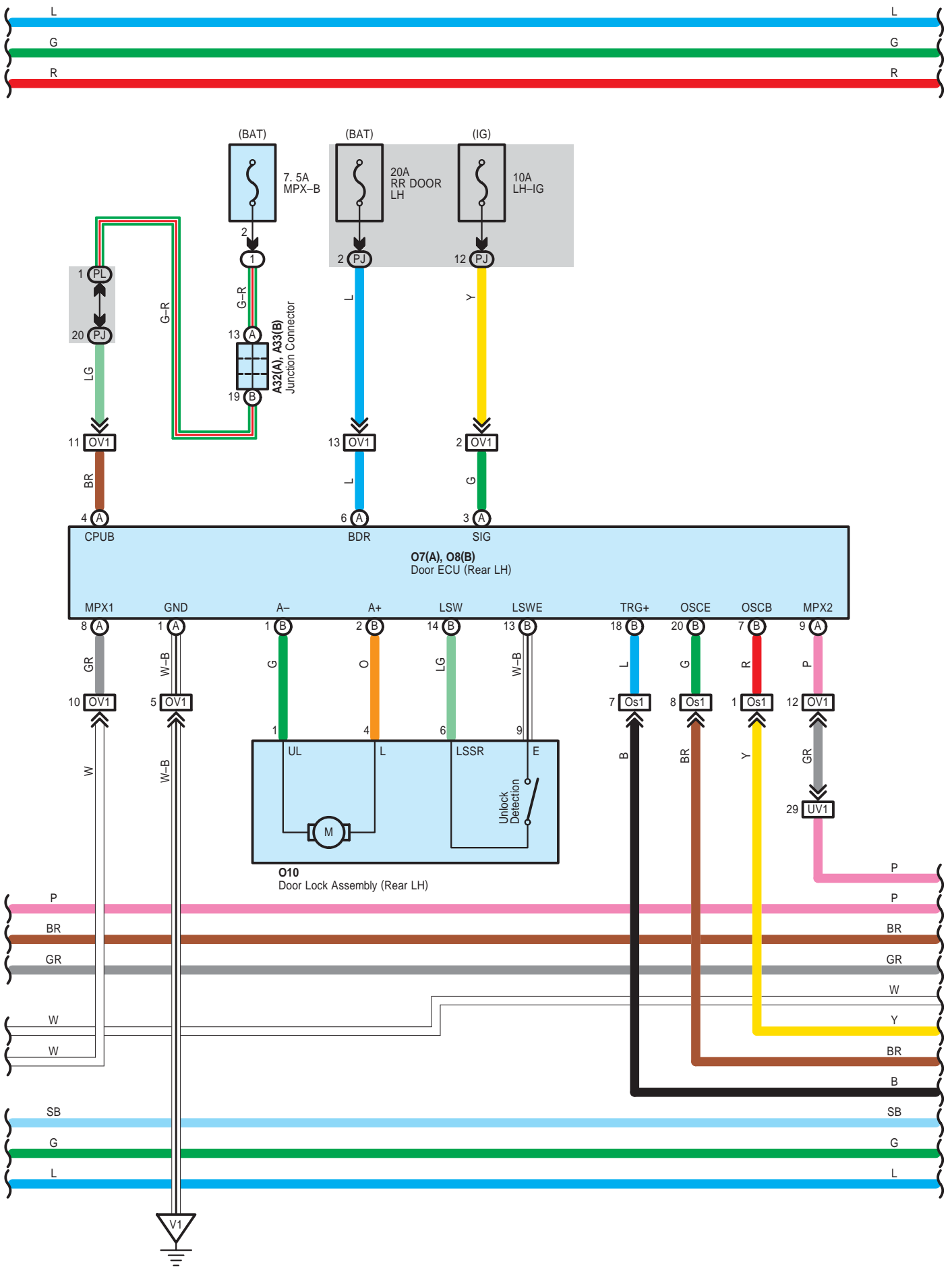


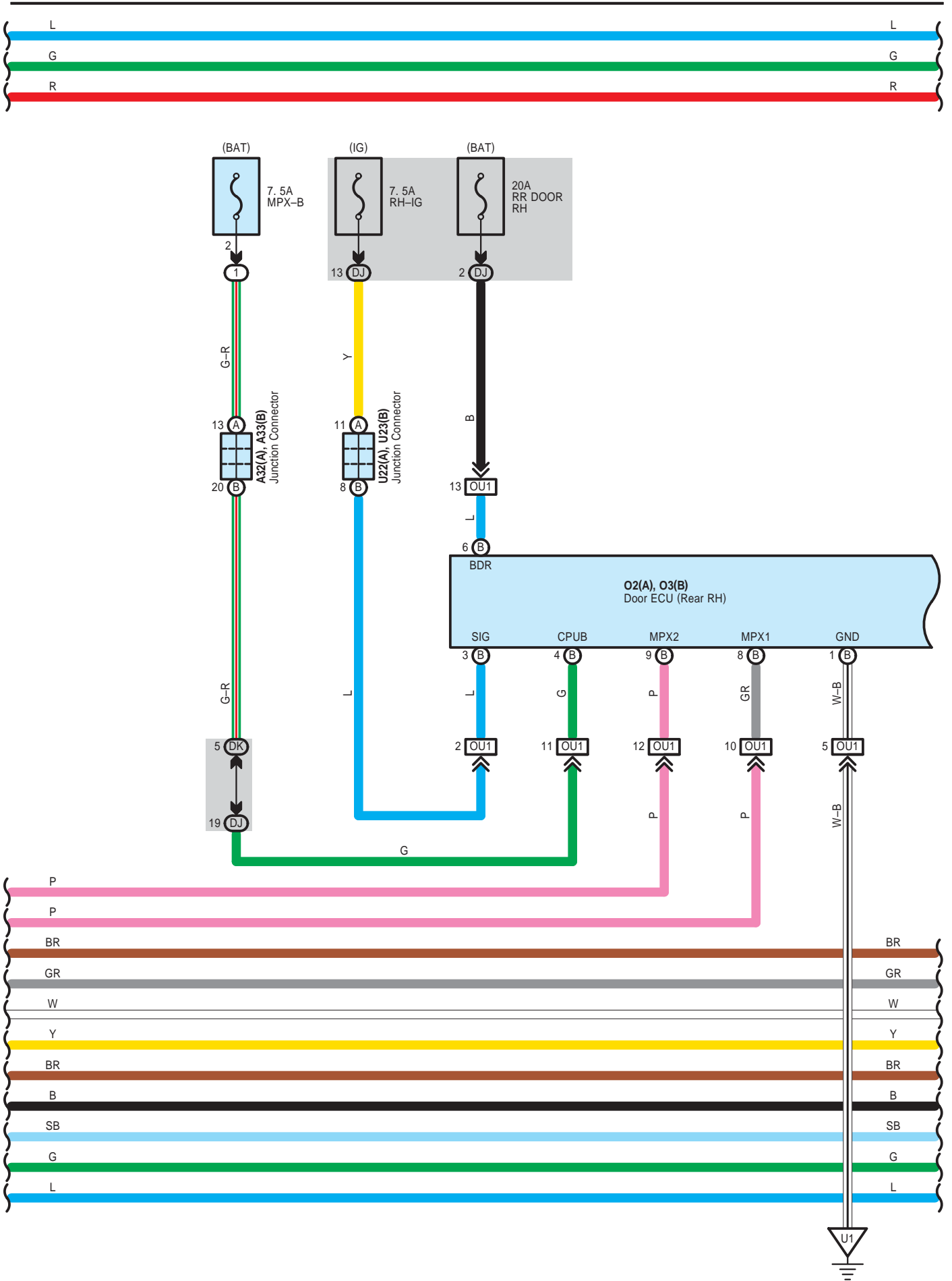
Wireless Door Lock Control



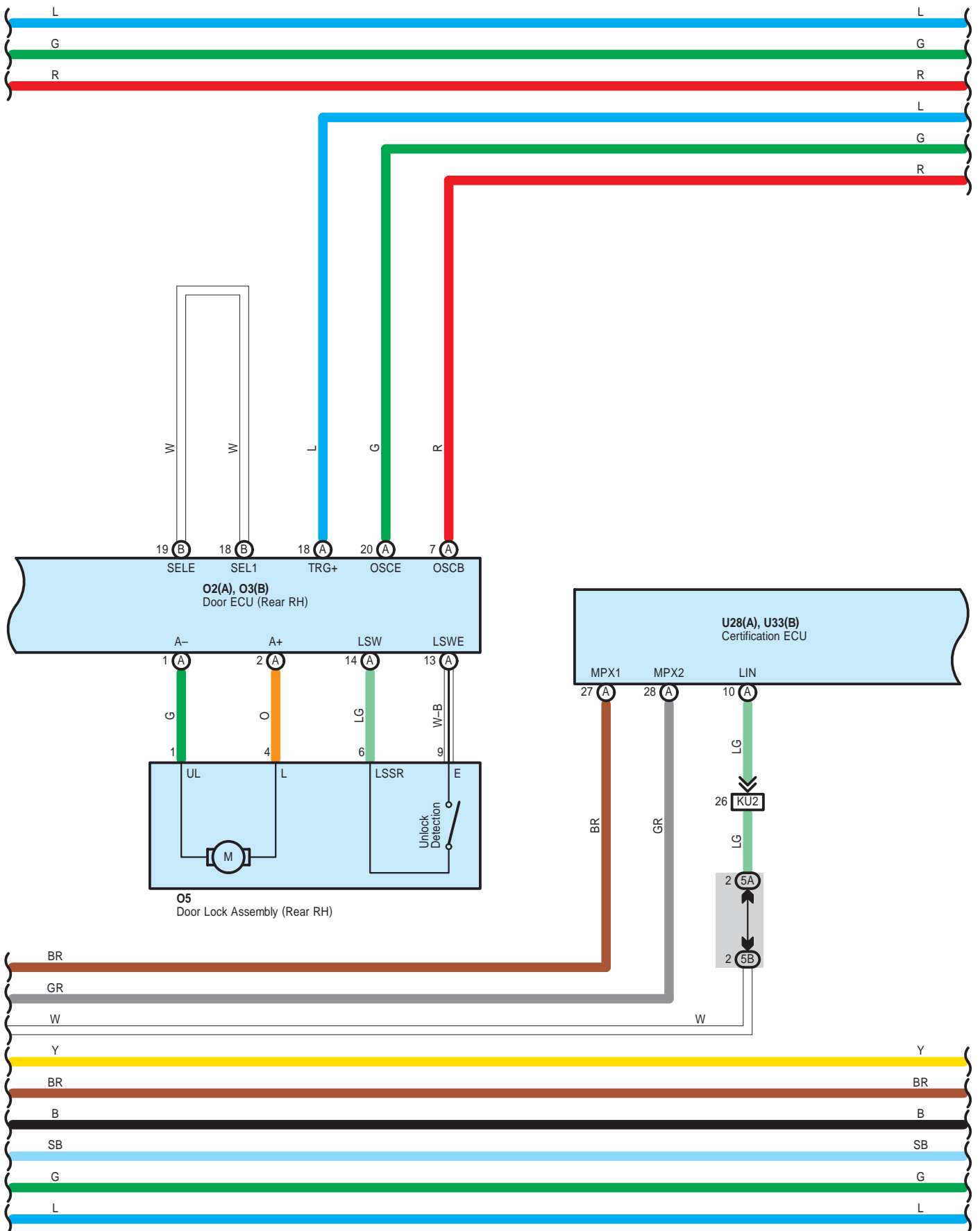


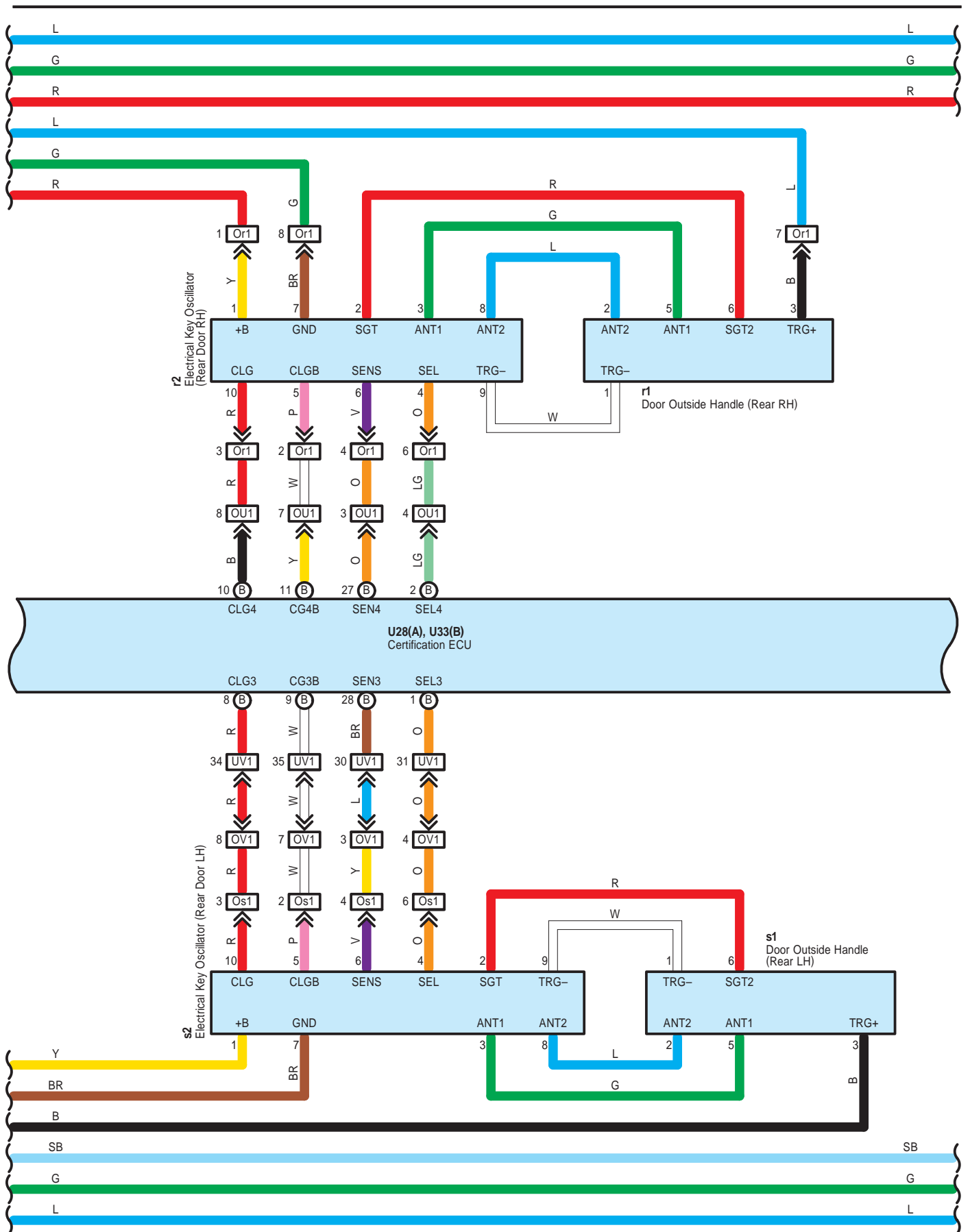
Wireless Door Lock Control



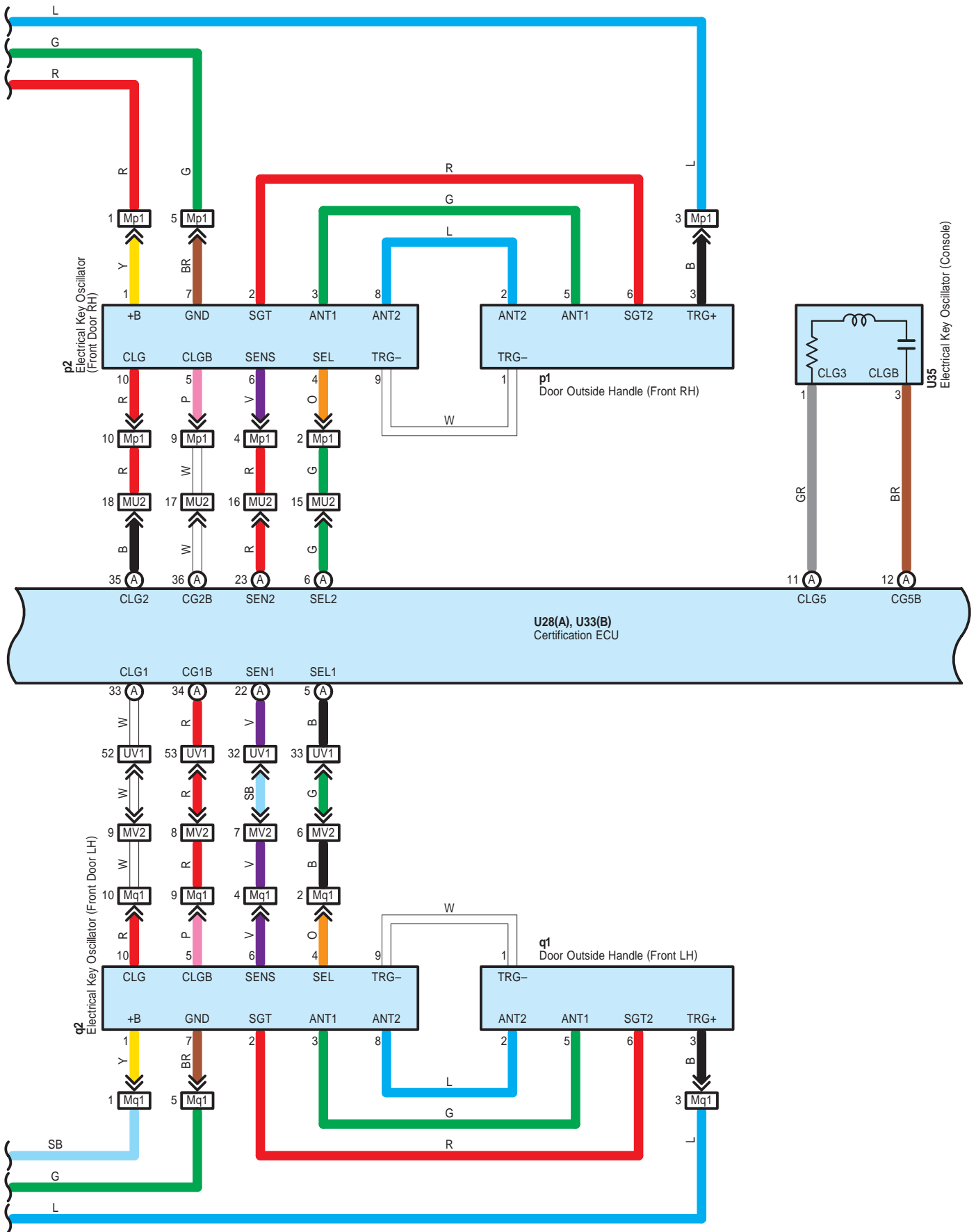


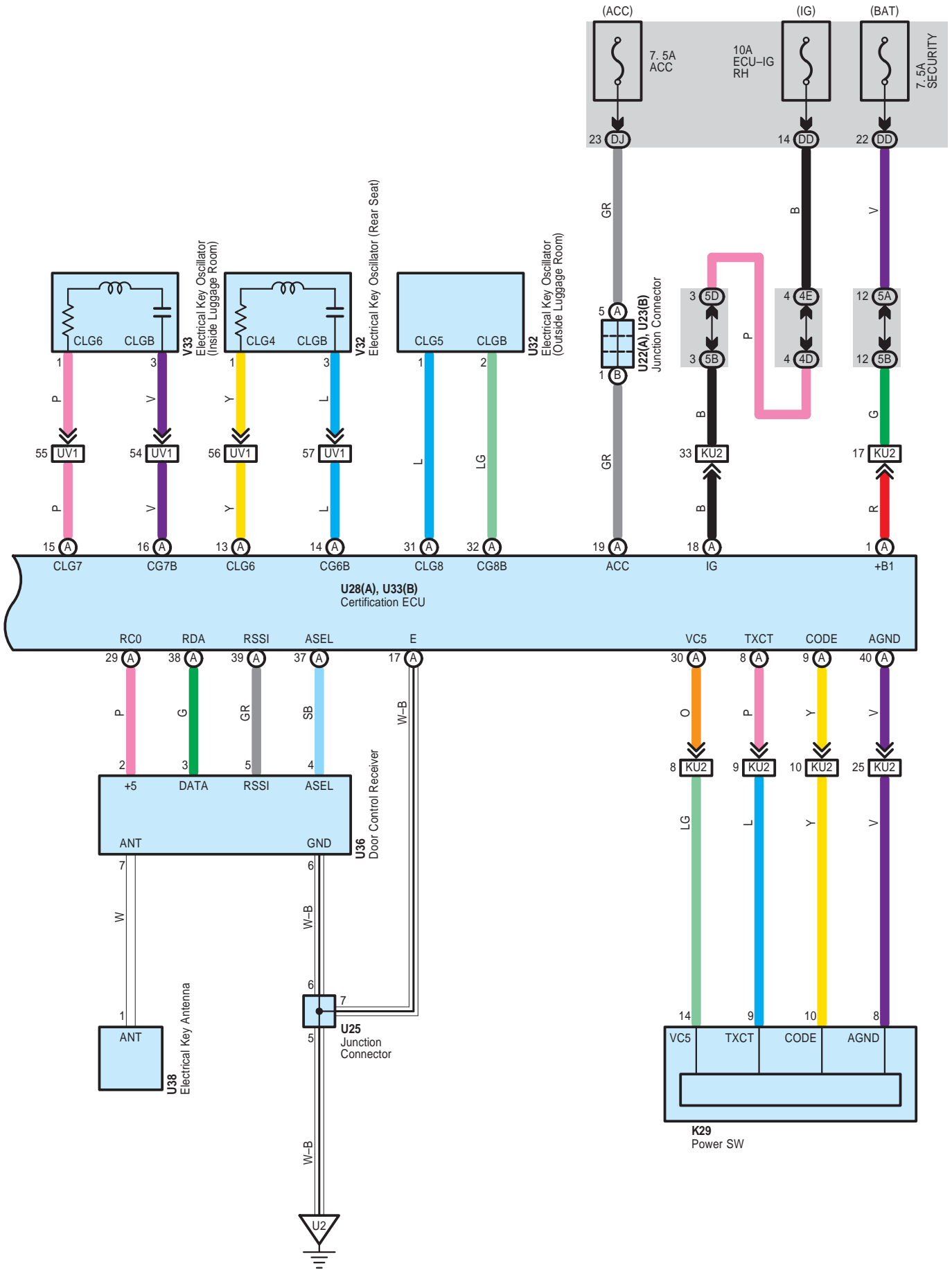
Wireless Door Lock Control





Wireless Door Lock Control





LEXUS GS 450h (EM02D0U)

Wireless Door Lock Control

○ : Parts Location

Code		See Page	Code		See Page	Code		See Page
A18		80	O2	A	88	V7		91
A29		84	O3	B	88	V13		91
A30	A	84	O5		88	V26	A	91
A32	A	84	O7	A	88	V27	B	91
A33	B	84	O8	B	88	V30	A	91
A39	A	84	O10		88	V32		91
B6		82	Q13		89	V33		91
B7		82	U1	D	87	X2		92
B9		82	U4		90	Y1	B	92
K22		85	U11		90	Y5		92
K29		85	U22	A	90	Y6		92
K66		86	U23	B	90	Y7		92
K68	B	86	U25		90	p1		93
K73		86	U28	A	90	p2		93
M3	A	88	U32		90	q1		93
M4	B	88	U33	B	90	q2		93
M6		88	U35		87	r1		93
M9	A	88	U36		90	r2		93
M10	B	88	U38		90	s1		93
M12		88	V3	D	87	s2		93

○ : Relay Blocks

Code	See Page	Relay Blocks (Relay Block Location)
1	24	Engine Room R/B No.1 (Engine Compartment Left)

○ : Junction Block and Wire Harness Connector

Code	See Page	Junction Block and Wire Harness (Connector Location)
1X	29	Engine Room Main Wire and Engine Room J/B No.1 (Engine Compartment left)
1Z	29	Engine Room No.2 Wire and Engine Room J/B No.2 (Engine Compartment left)
4D	70	Instrument Panel Wire and Center J/B RH (Right Side of the Instrument Panel Reinforcement)
4E		
4F		
5A	66	Instrument Panel Wire and Center J/B LH (Right Side of the Instrument Panel Reinforcement)
5B		
5D		
5E		
5M		
DA	55	Instrument Panel Wire and Cowl Side J/B RH (Behind the Glove Box)
DD		
DJ	56	Floor Wire and Cowl Side J/B RH (Behind the Glove Box)
DK	56	Engine Room Main Wire and Cowl Side J/B RH (Behind the Glove Box)
LA	62	Floor No.2 Wire and Luggage Room J/B (Left Side of the Quarter Panel)
LC	63	
LF		
PD	49	Instrument Panel Wire and Cowl Side J/B LH (Lower Finish Panel)
PJ	50	Floor No.2 Wire and Cowl Side J/B LH (Lower Finish Panel)
PL	50	Engine Room Main Wire and Cowl Side J/B LH (Lower Finish Panel)

 : Connector Joining Wire Harness and Wire Harness

Code	See Page	Joining Wire Harness and Wire Harness (Connector Location)
KA2	97	Instrument Panel Wire and Engine Room Main Wire (Left Kick Panel)
KU2	97	Instrument Panel Wire and Floor No.1 Wire (Right Kick Panel)
KV1	97	Instrument Panel Wire and Floor No.2 Wire (Left Kick Panel)
MQ2	98	Front Door LH Wire and Front Door LH No.2 Wire (Front Door Inner Panel LH)
MU1	97	Front Door RH Wire and Floor No.1 Wire (Right Kick Panel)
MU2		
MV1	97	Front Door LH Wire and Floor No.2 Wire (Left Kick Panel)
MV2		
Mp1	98	Front Door RH Wire and Electrical Key Wire Harness Front RH (Front Door Inner Panel RH)
Mq1	98	Front Door LH Wire and Electrical Key Wire Harness Front LH (Front Door Inner Panel LH)
OU1	98	Rear Door No.1 Wire and Floor No.1 Wire (Right Center Pillar)
OV1	98	Rear Door No.2 Wire and Floor No.2 Wire (Left Center Pillar)
Or1	98	Rear Door No.1 Wire and Electrical Key Wire Harness Rear RH (Rear Door Inner Panel RH)
Os1	98	Rear Door No.2 Wire and Electrical Key Wire Harness Rear LH (Rear Door Inner Panel LH)
UV1	98	Floor No.1 Wire and Floor No.2 Wire (Center of the Rear Floor Partition Panel)
VX1	98	Floor No.2 Wire and Luggage Room Wire (Quarter Wheel House Inner Panel LH)

 : Ground Points

Code	See Page	Ground Points Location
A2	96	Front Left Fender Apron
B1	96	Near the Headlamp RH
U1	98	Under the Front Passenger's Seat
U2	98	Right Side of the Rear Floor Partition Panel
V1	98	Under the Driver's Seat
V2	98	Roof Side Inner Panel LH