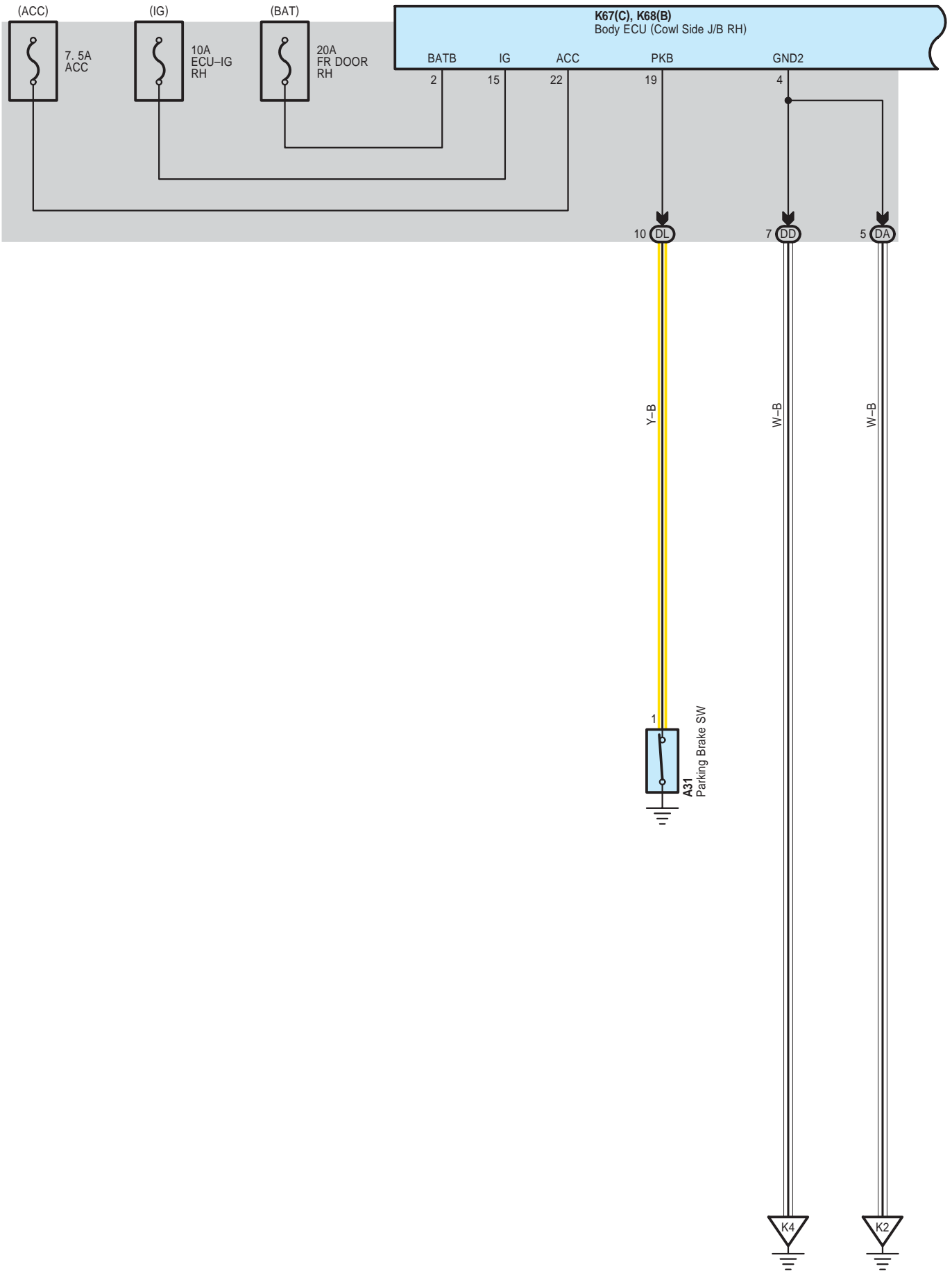
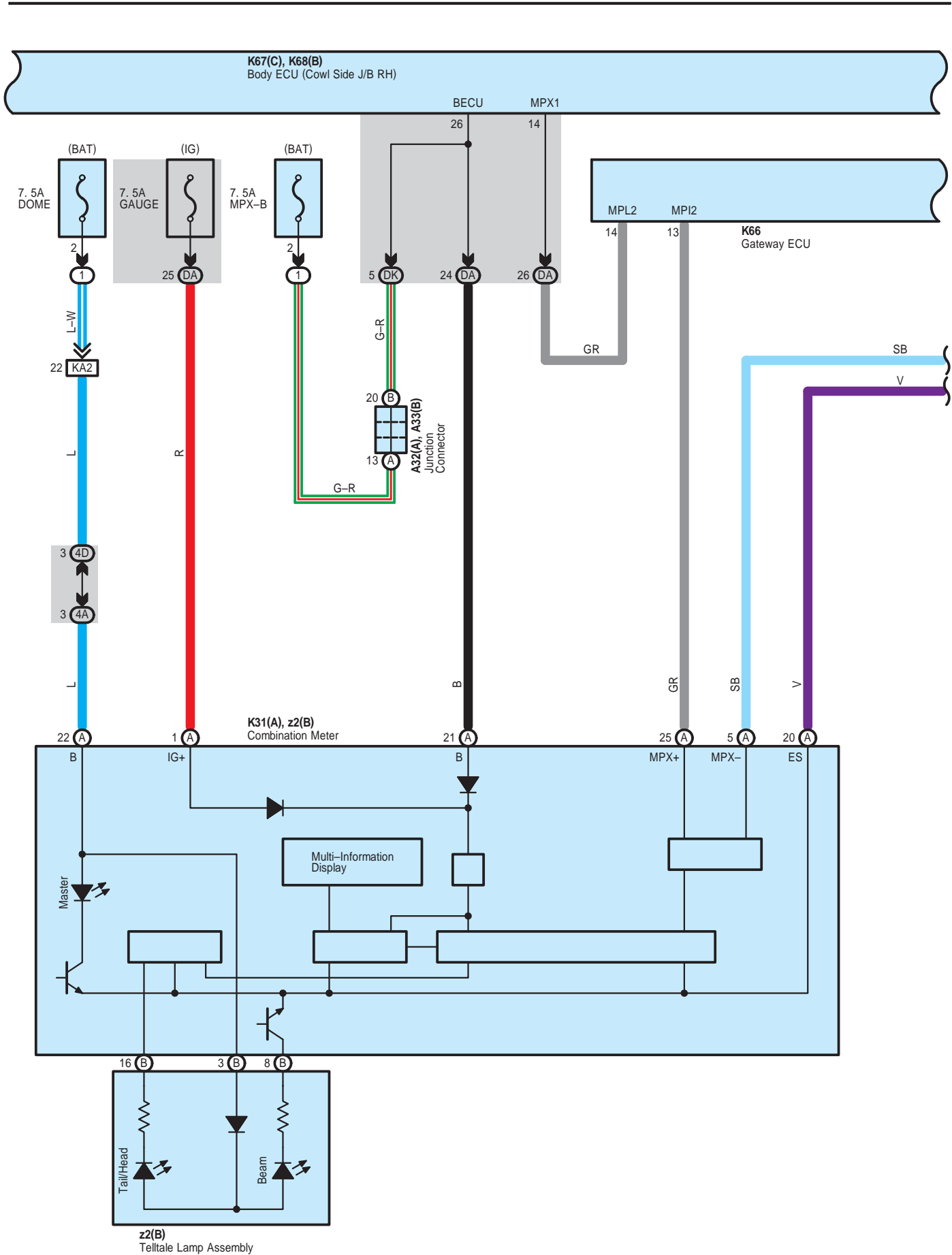
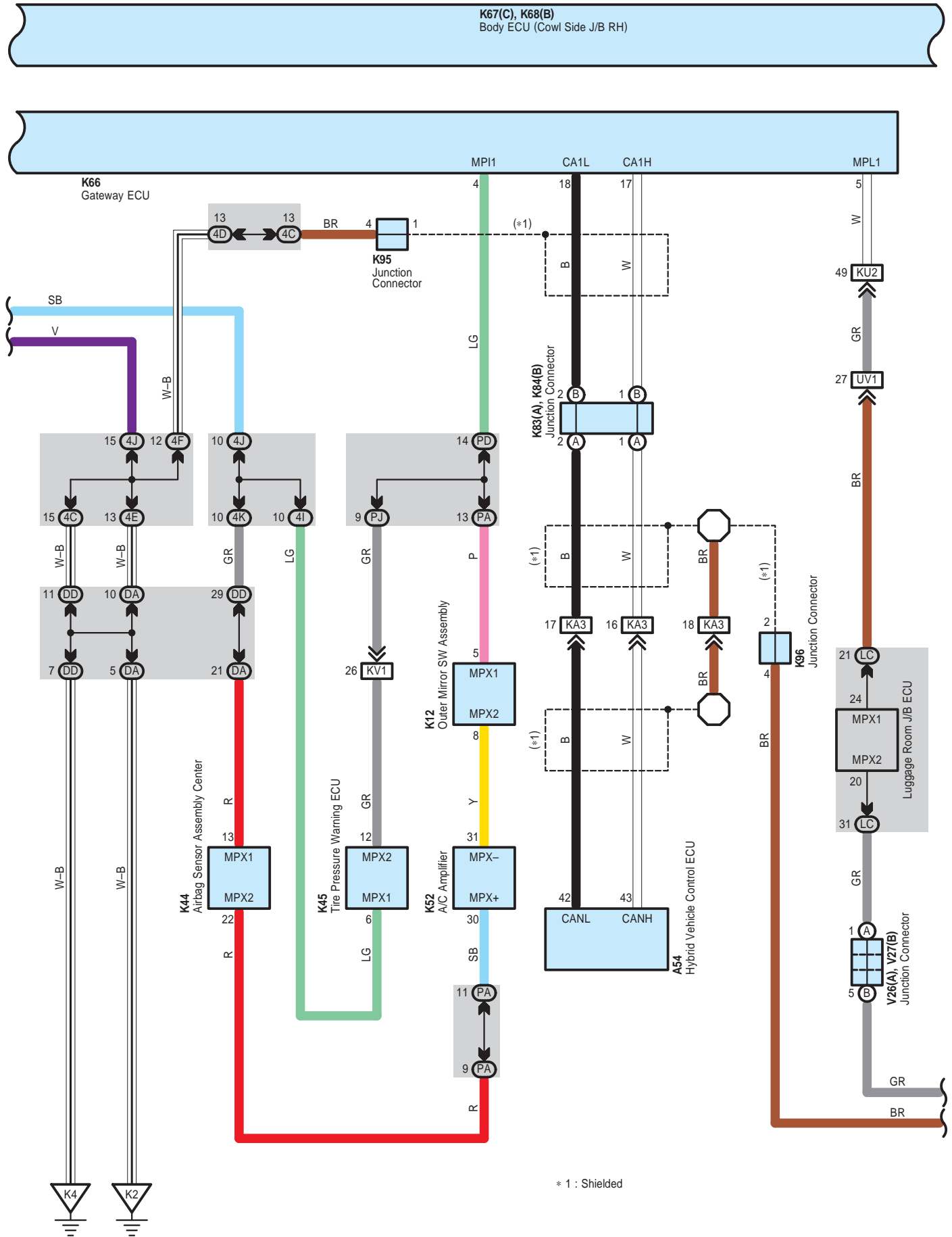


Headlight

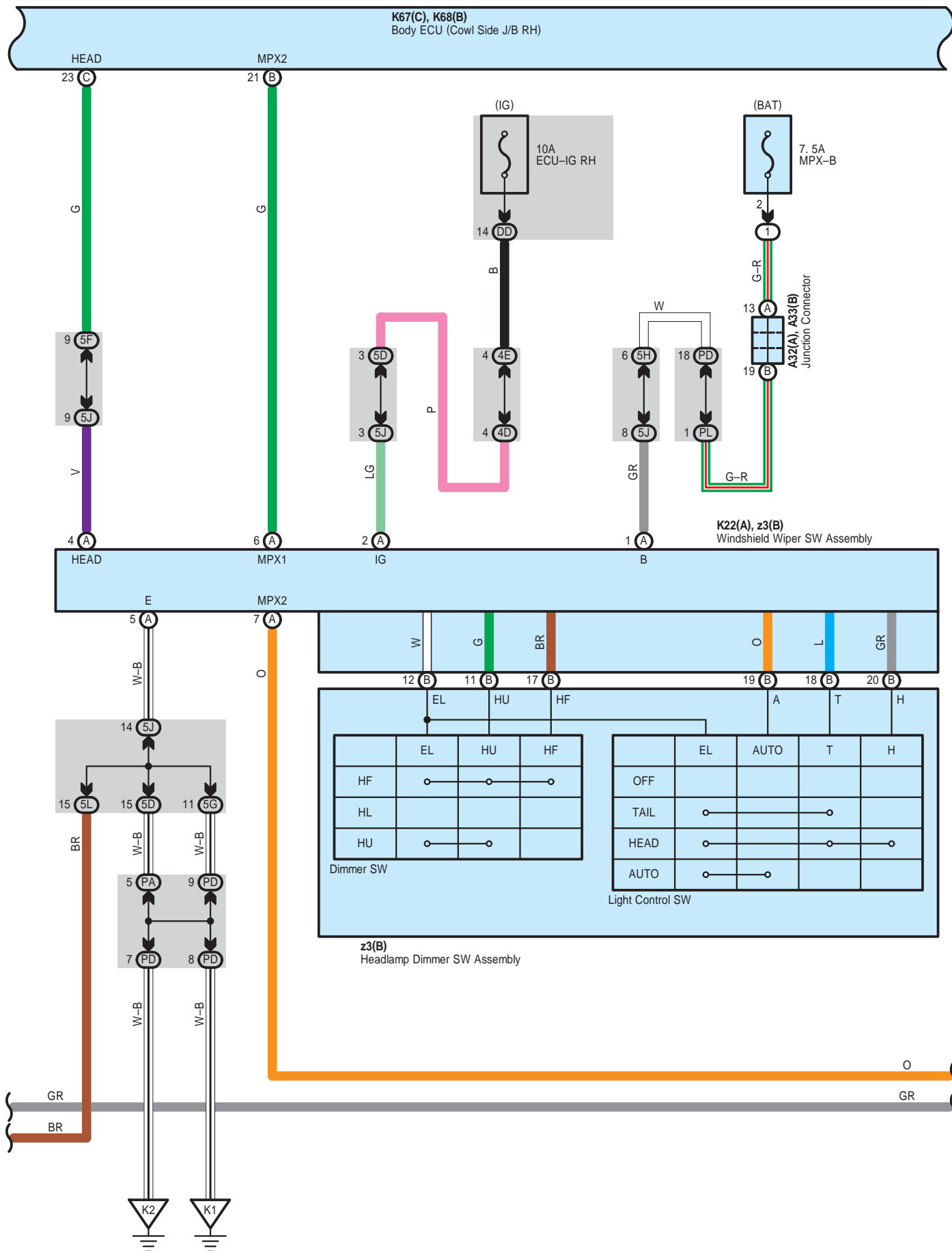




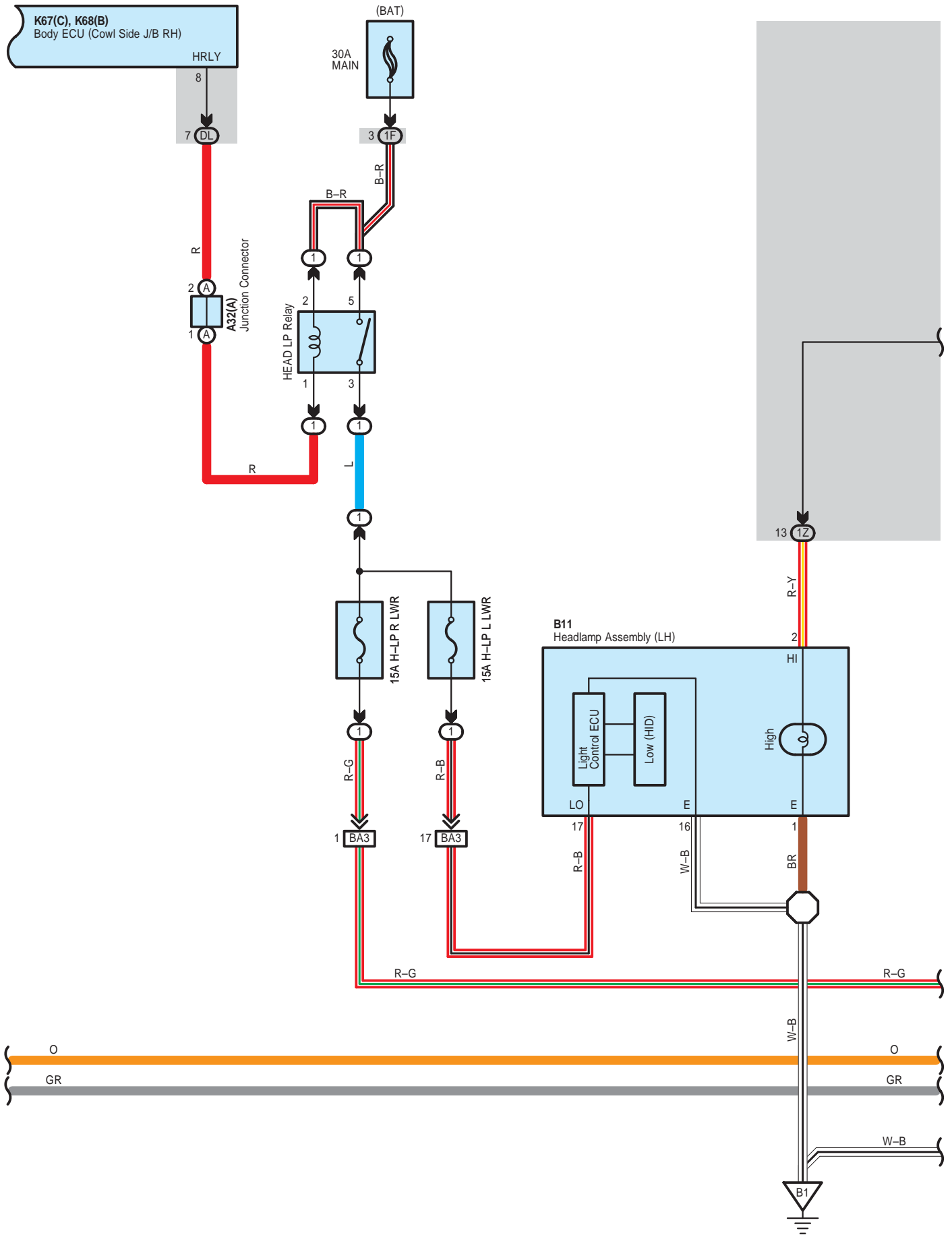
Headlight

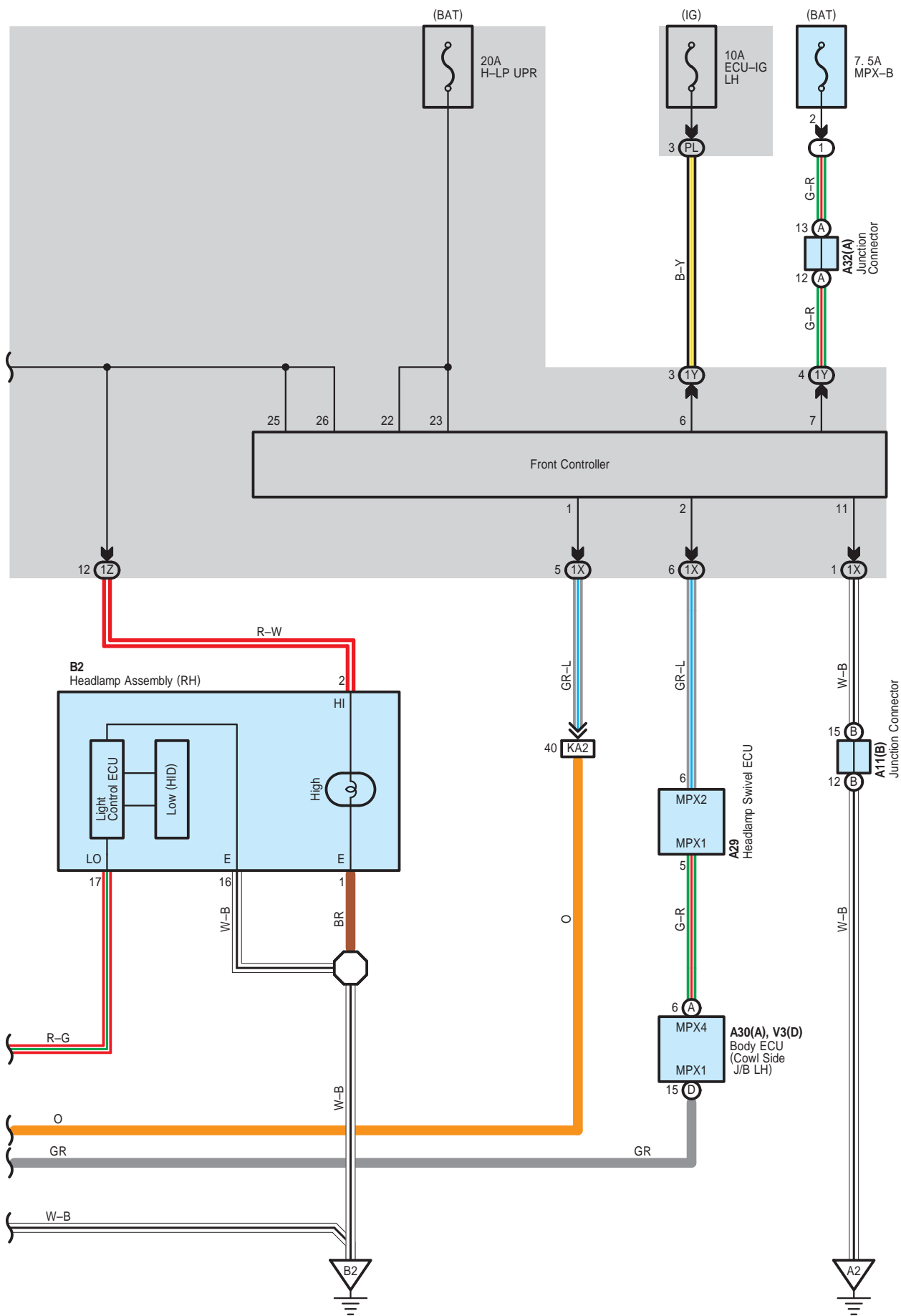


K67(C), K68(B)
Body ECU (Cowl Side J/B RH)



Headlight





Headlight

: Parts Location

Code	See Page	Code	See Page	Code	See Page
A11	B 80	K12	85	K83	A 78, 86
A29	84	K22	A 85	K84	B 78, 86
A30	A 84	K31	A 85	K95	86
A31	84	K44	86	V3	D 87
A32	A 84	K45	86	V26	A 91
A33	B 84	K52	86	V27	B 91
A54	80	K66	86	z2	B 87
B2	82	K67	C 86	z3	B 87
B11	82	K68	B 86		

: Relay Blocks

Code	See Page	Relay Blocks (Relay Block Location)
1	24	Engine Room R/B No.1 (Engine Compartment Left)

: Junction Block and Wire Harness Connector

Code	See Page	Junction Block and Wire Harness (Connector Location)
1F	27	Engine Room Main Wire and Engine Room J/B No.1 (Engine Compartment left)
1X	29	
1Y		
1Z	29	Engine Room No.2 Wire and Engine Room J/B No.2 (Engine Compartment left)
4A	70	Instrument Panel Wire and Center J/B RH (Right Side of the Instrument Panel Reinforcement)
4C		
4D		
4E		
4F		
4I		
4J		
4K		
5D	66	Instrument Panel Wire and Center J/B LH (Right Side of the Instrument Panel Reinforcement)
5F		
5G		
5H		
5J		
5L		
DA	55	Instrument Panel Wire and Cowl Side J/B RH (Behind the Glove Box)
DD	56	Engine Room Main Wire and Cowl Side J/B RH (Behind the Glove Box)
DK		
DL		
LC	63	Floor No.2 Wire and Luggage Room J/B (Left Side of the Quarter Panel)
PA	49	Instrument Panel Wire and Cowl Side J/B LH (Lower Finish Panel)
PD		
PJ	50	Floor No.2 Wire and Cowl Side J/B LH (Lower Finish Panel)
PL	50	Engine Room Main Wire and Cowl Side J/B LH (Lower Finish Panel)

: Connector Joining Wire Harness and Wire Harness

Code	See Page	Joining Wire Harness and Wire Harness (Connector Location)
BA3	96	Engine Room No.2 Wire and Engine Room Main Wire (Inside of the Engine Room R/B No.2)
KA2	97	Instrument Panel Wire and Engine Room Main Wire (Left Kick Panel)
KA3	97	Instrument Panel Wire and Engine Room Main Wire (Right Kick Panel)
KU2	97	Instrument Panel Wire and Floor No.1 Wire (Right Kick Panel)
KV1	97	Instrument Panel Wire and Floor No.2 Wire (Left Kick Panel)
UV1	98	Floor No.1 Wire and Floor No.2 Wire (Center of the Rear Floor Partition Panel)



: Ground Points

Code	See Page	Ground Points Location
A2	96	Front Left Fender Apron
B1	96	Near the Headlamp RH
B2	96	Near the Headlamp LH
K1	97	Left Kick Panel
K2	97	Left Side of the Shift Lever
K4	97	Right Kick Panel