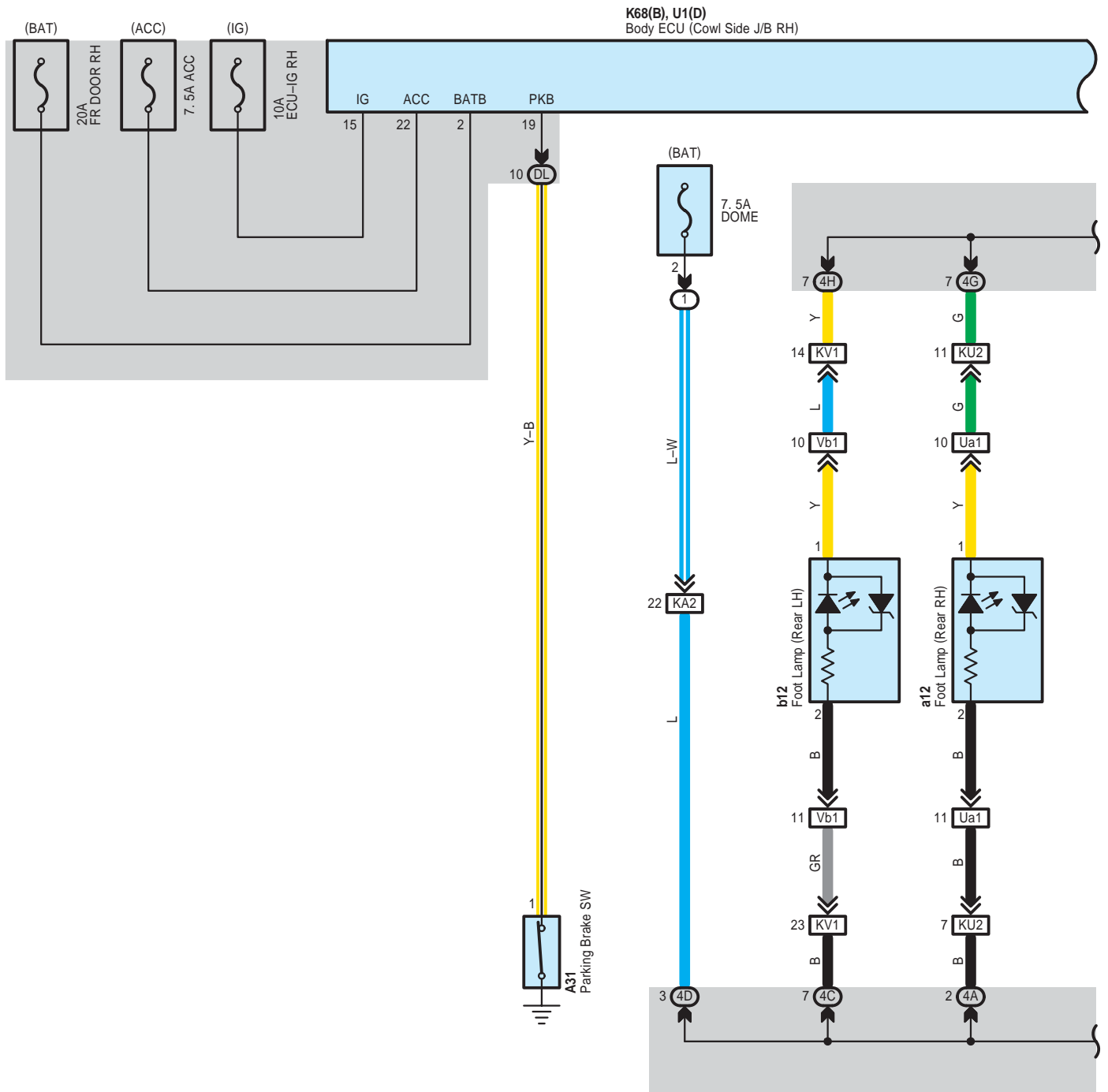
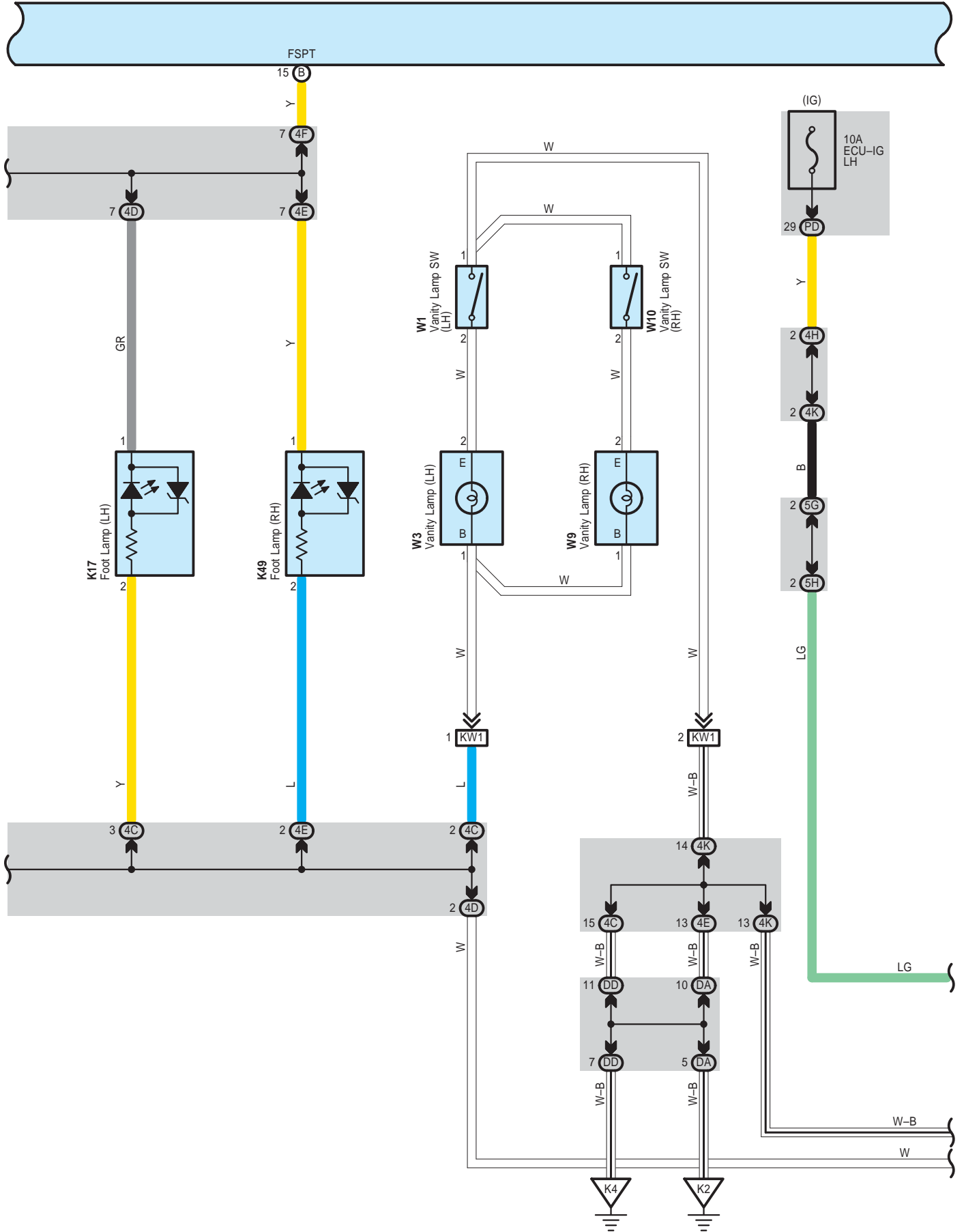


Interior Light

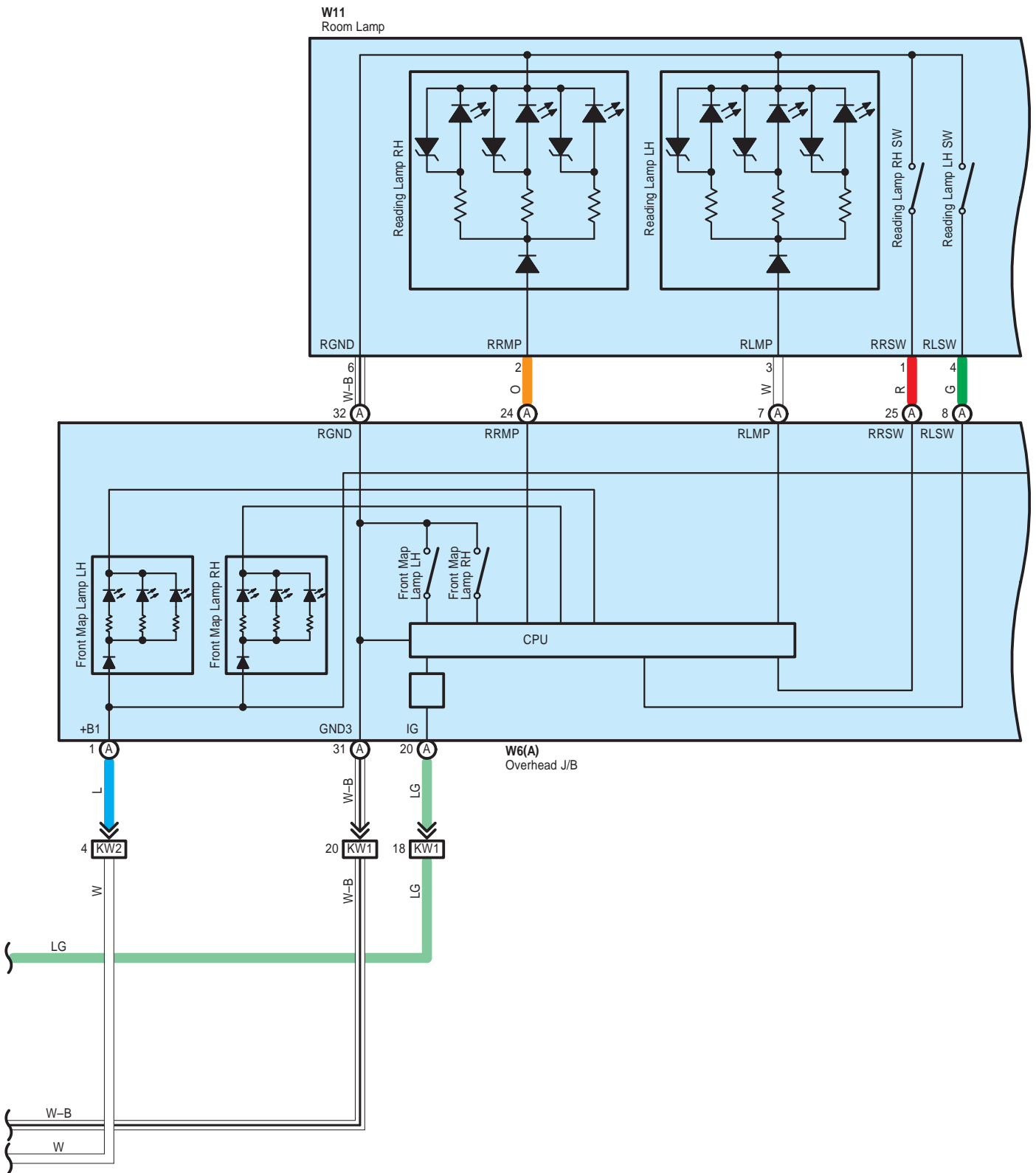


K68(B), U1(D)
Body ECU (Cowl Side J/B RH)

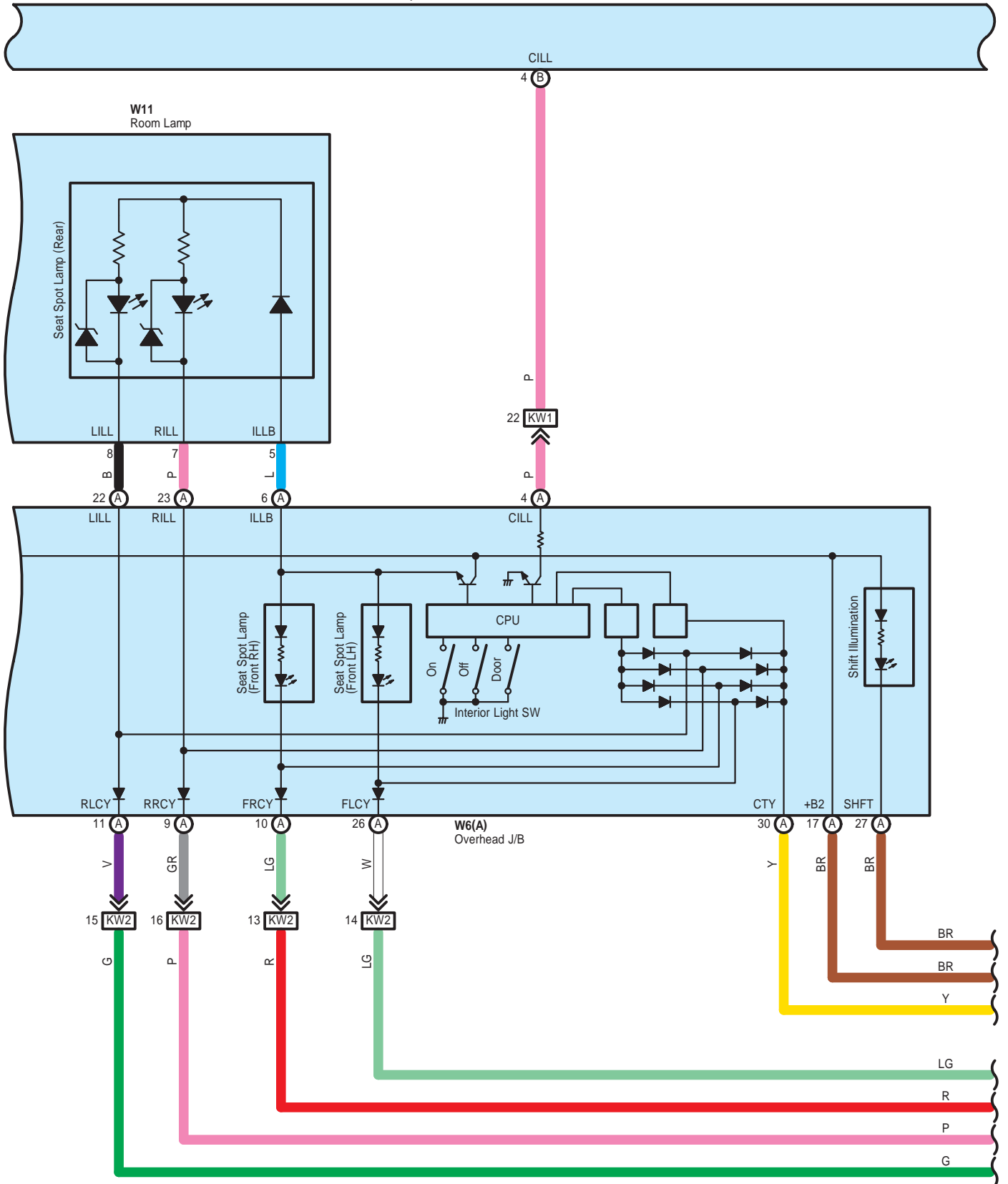


Interior Light

K68(B), U1(D)
Body ECU (Cowl Side J/B RH)



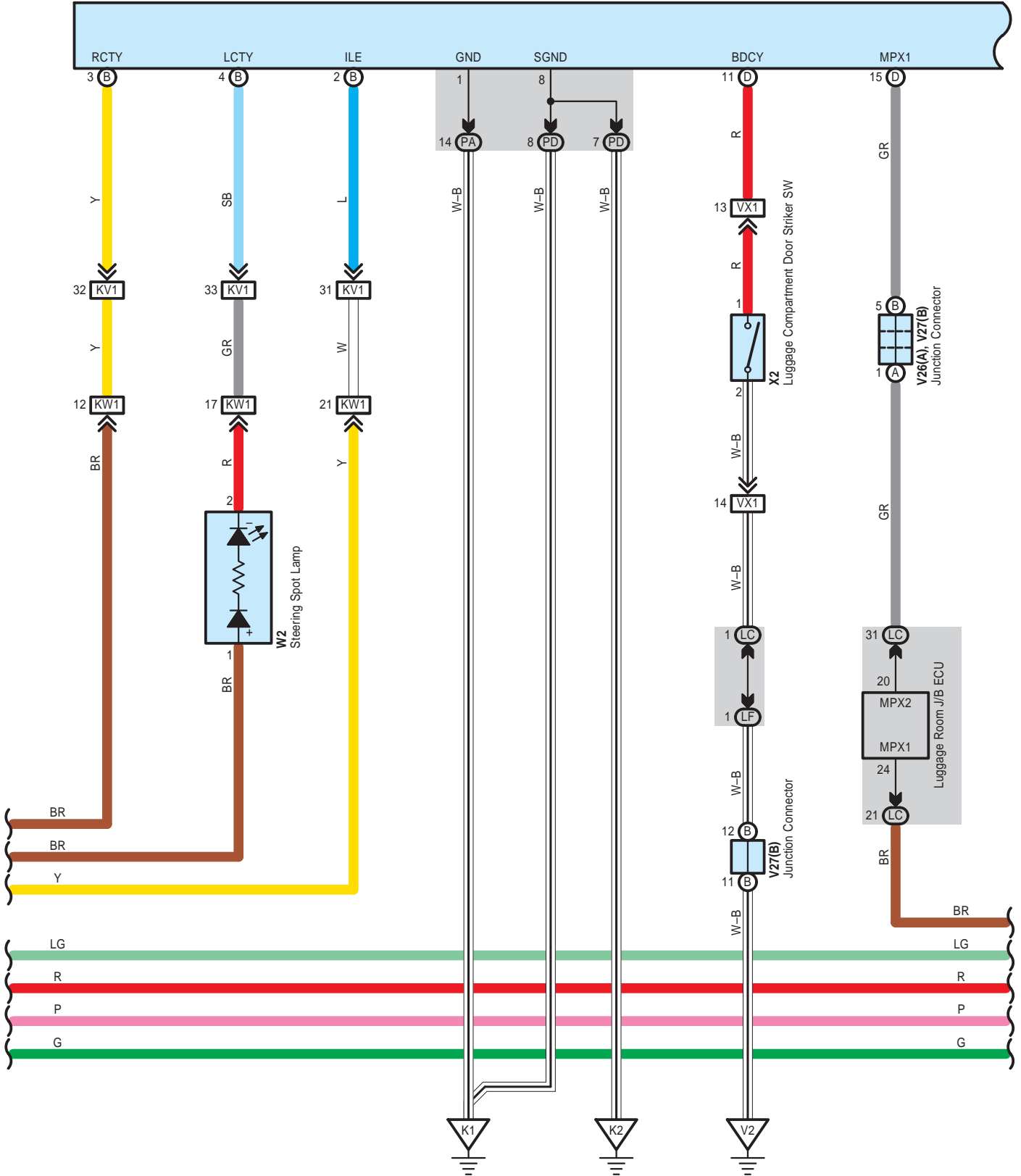
K68(B), U1(D)
Body ECU (Cowl Side J/B RH)



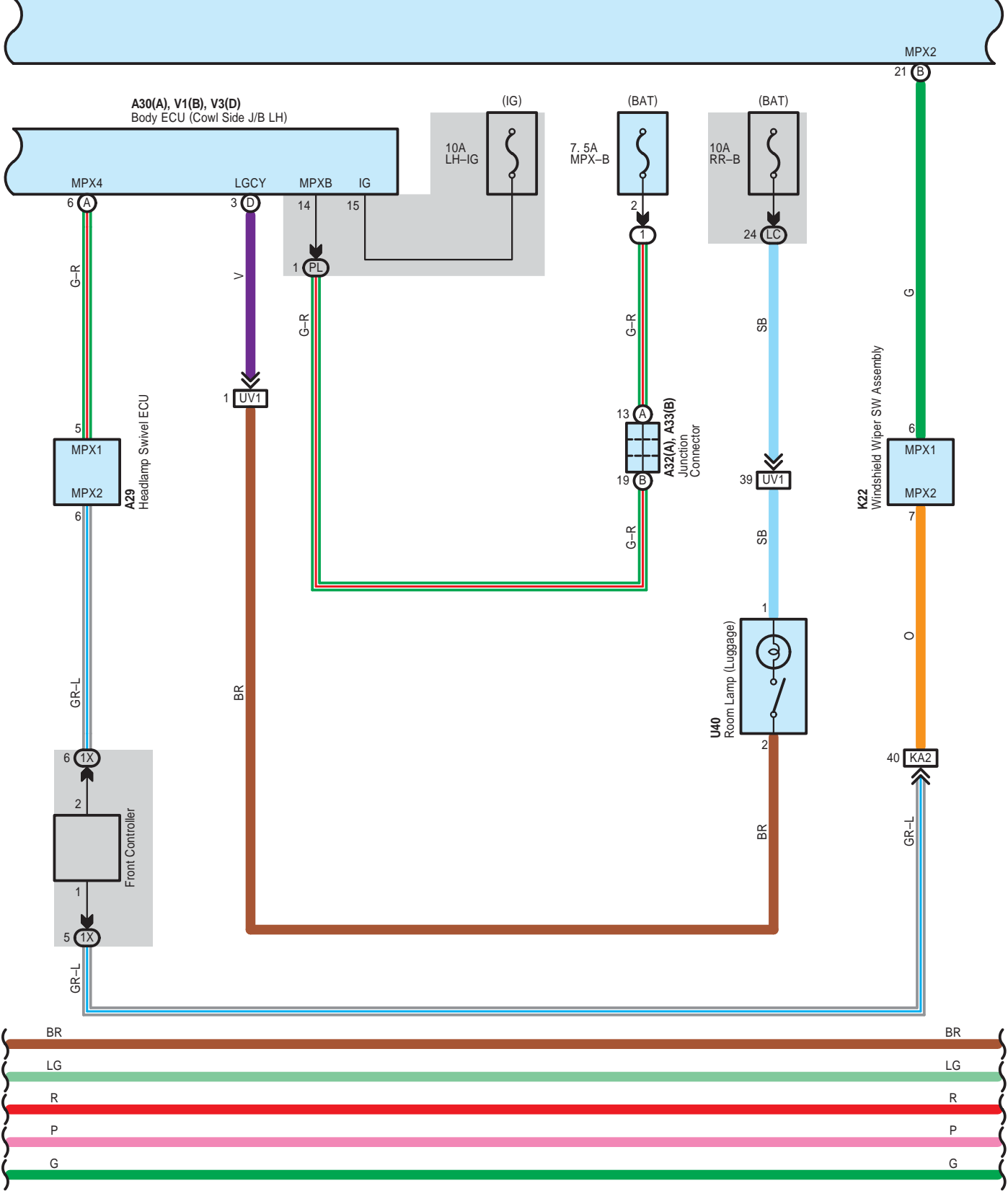
Interior Light

K68(B), U1(D)
Body ECU (Cowl Side J/B RH)

A30(A), V1(B), V3(D)
Body ECU (Cowl Side J/B LH)

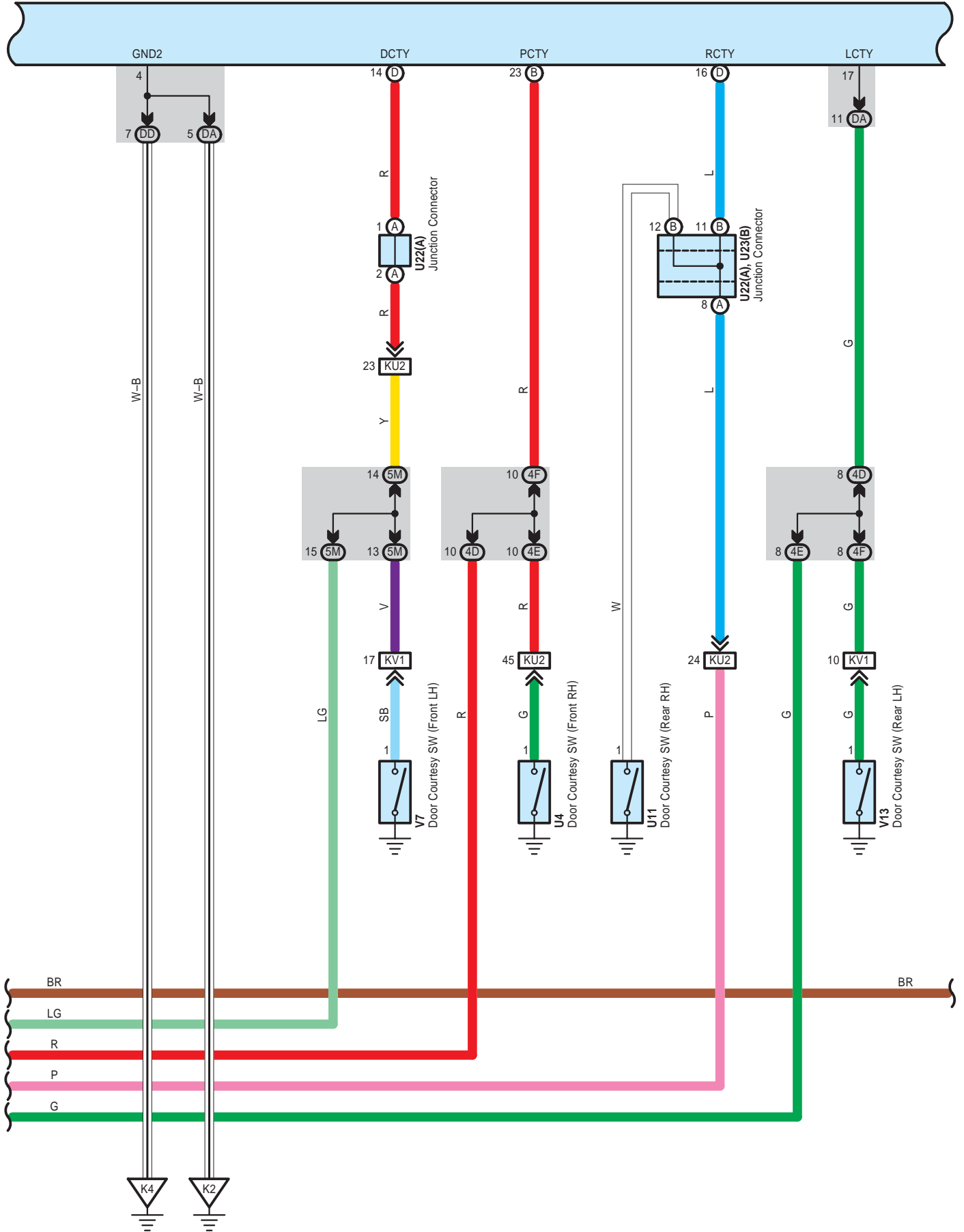


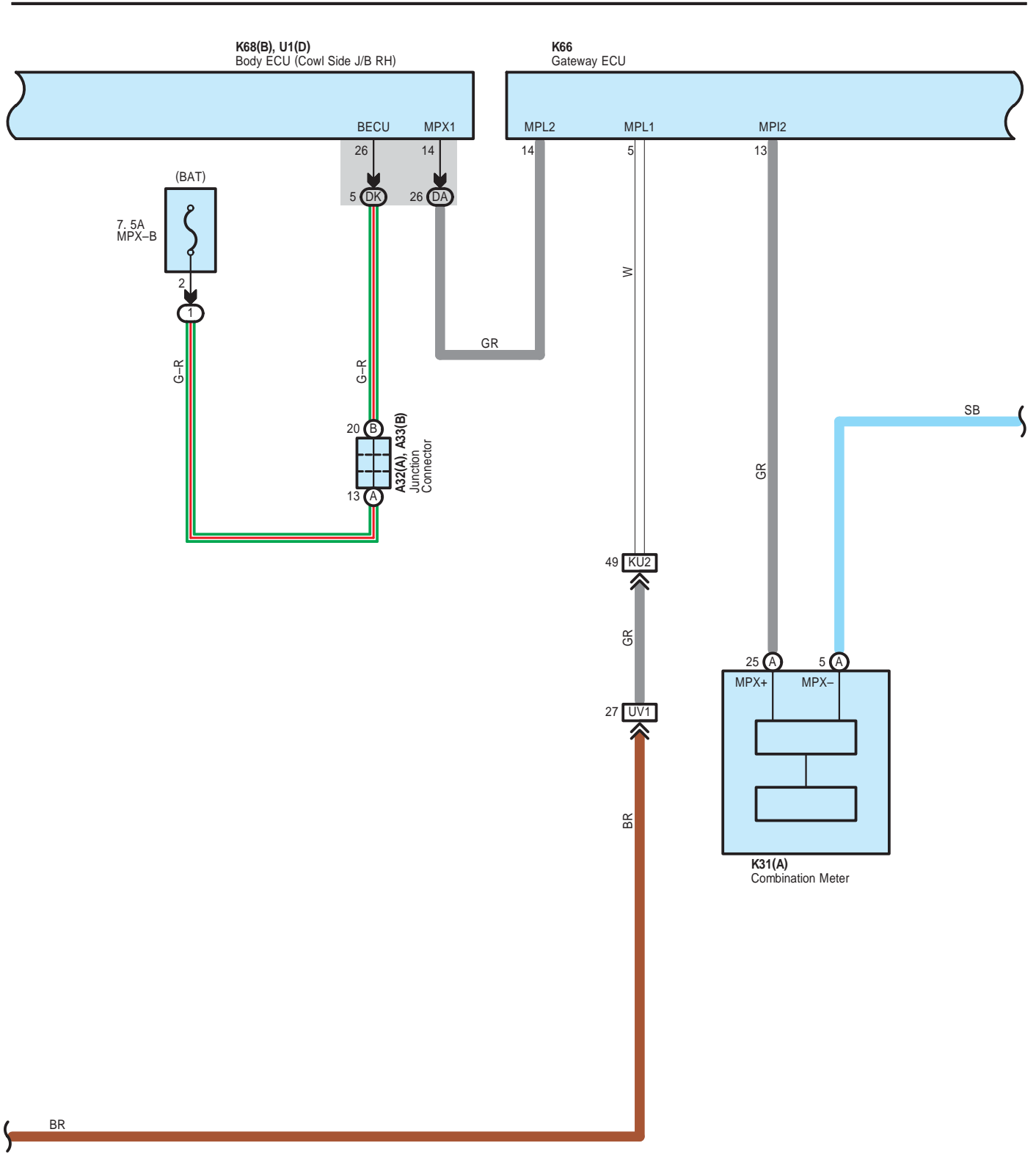
K68(B), U1(D)
Body ECU (Cowl Side J/B RH)



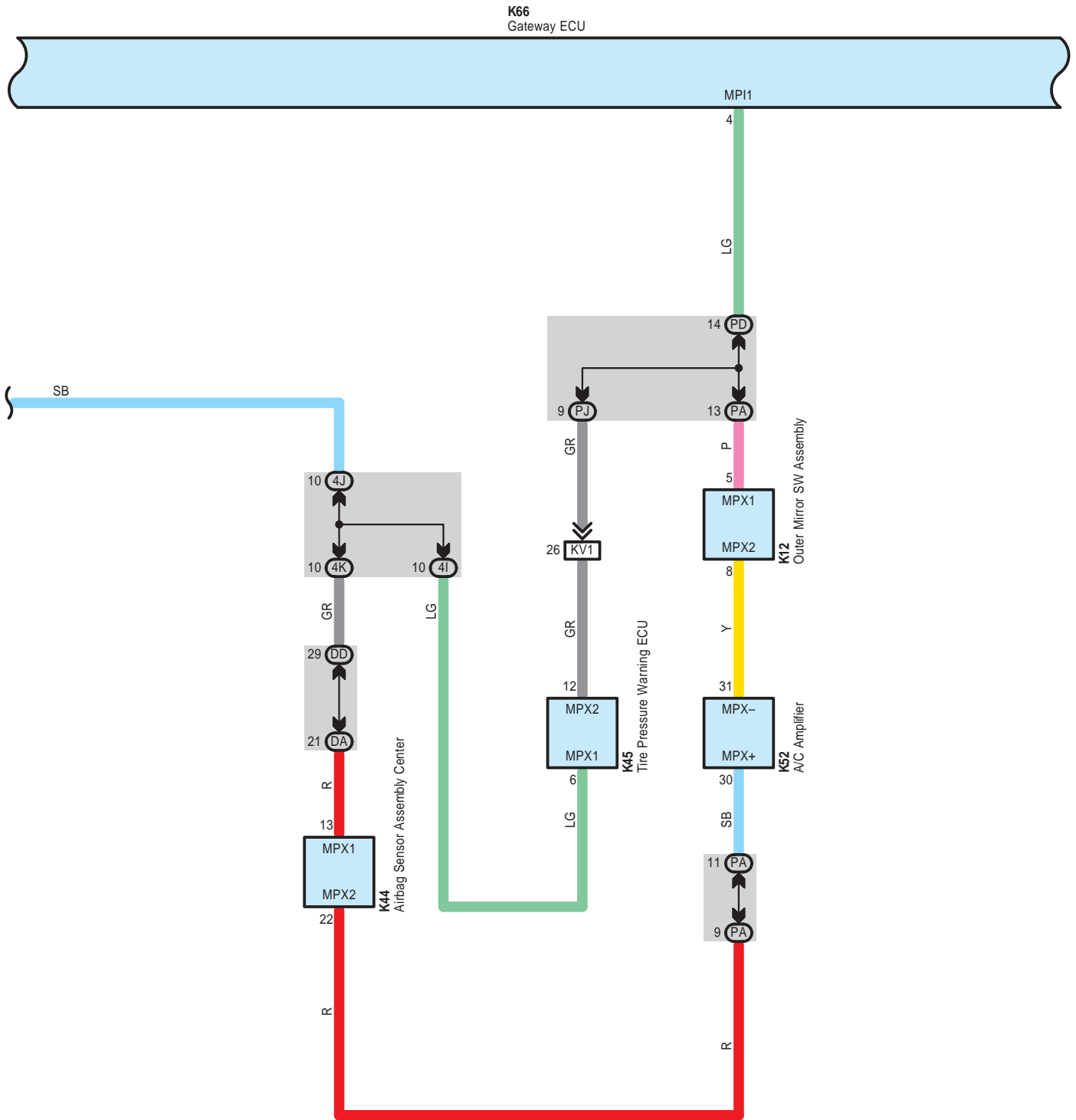
Interior Light

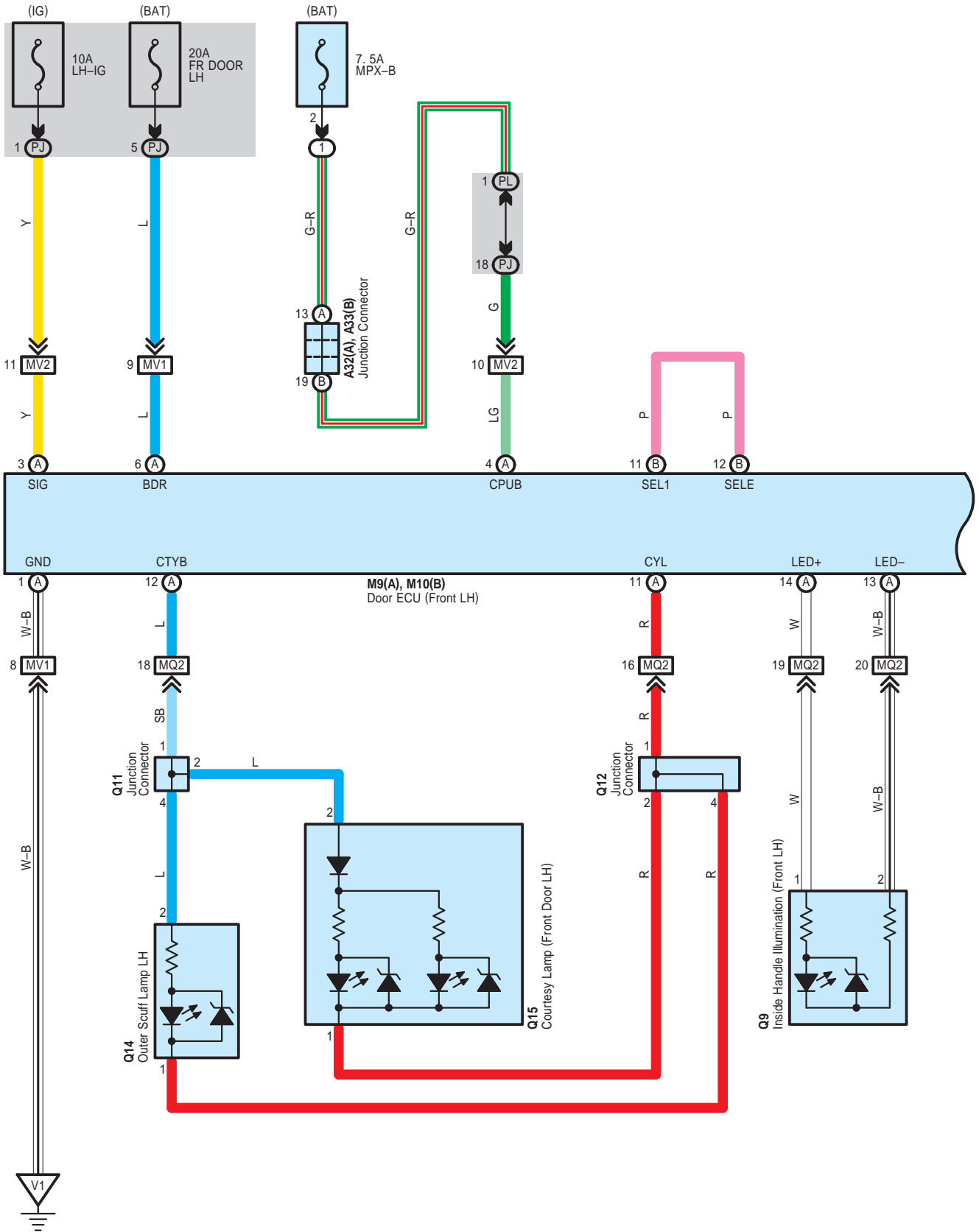
K68(B), U1(D)
Body ECU (Cowl Side J/B RH)

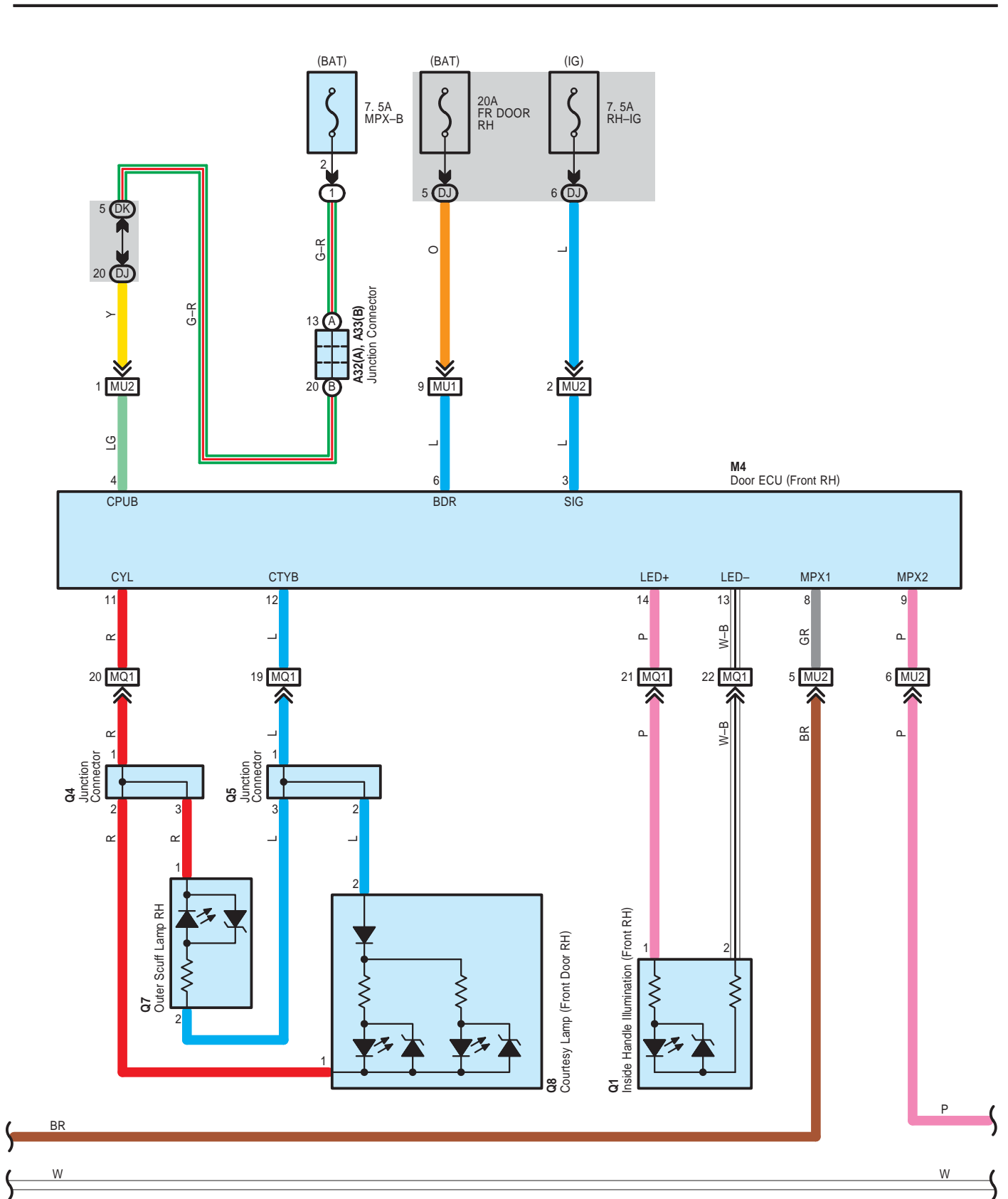




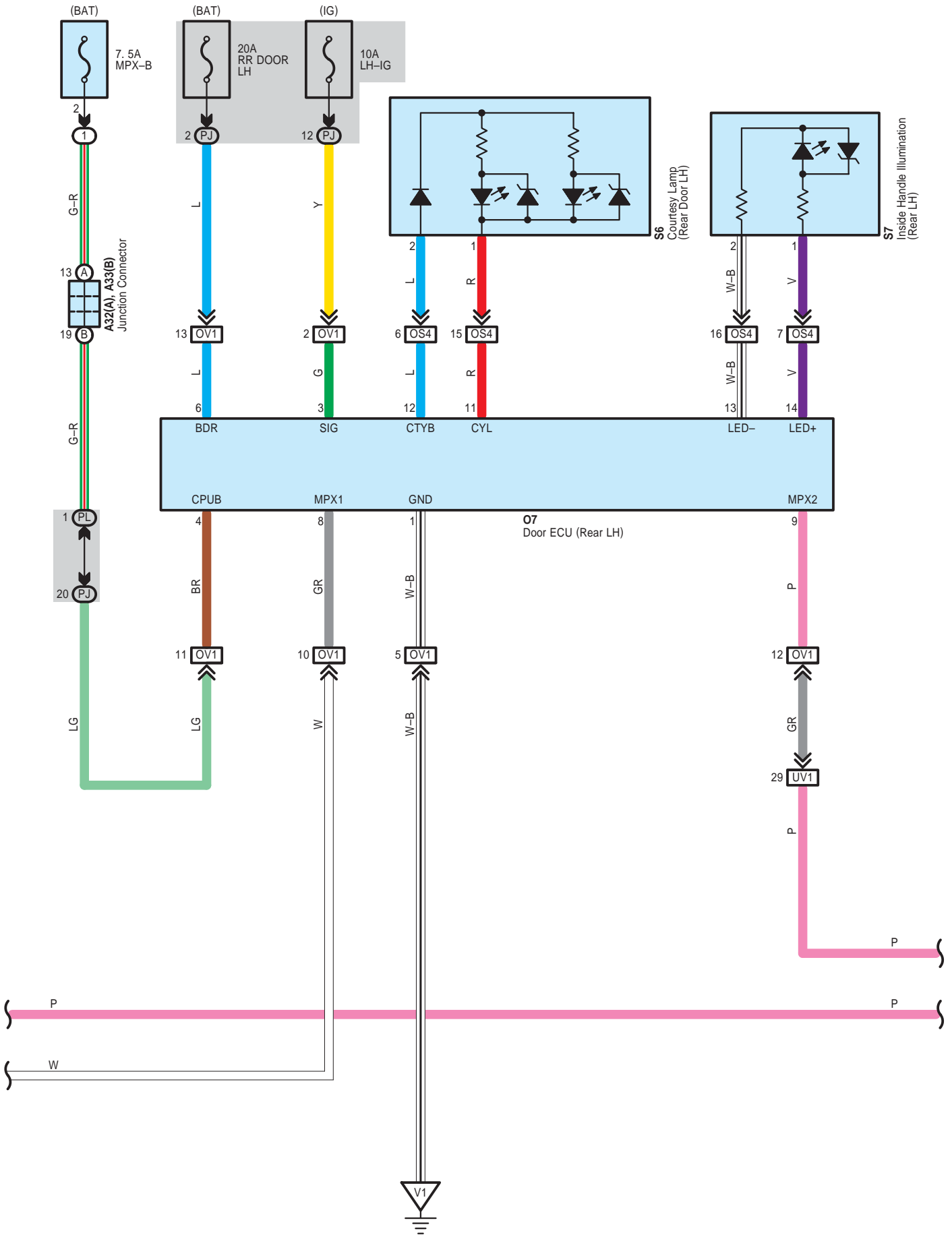
Interior Light

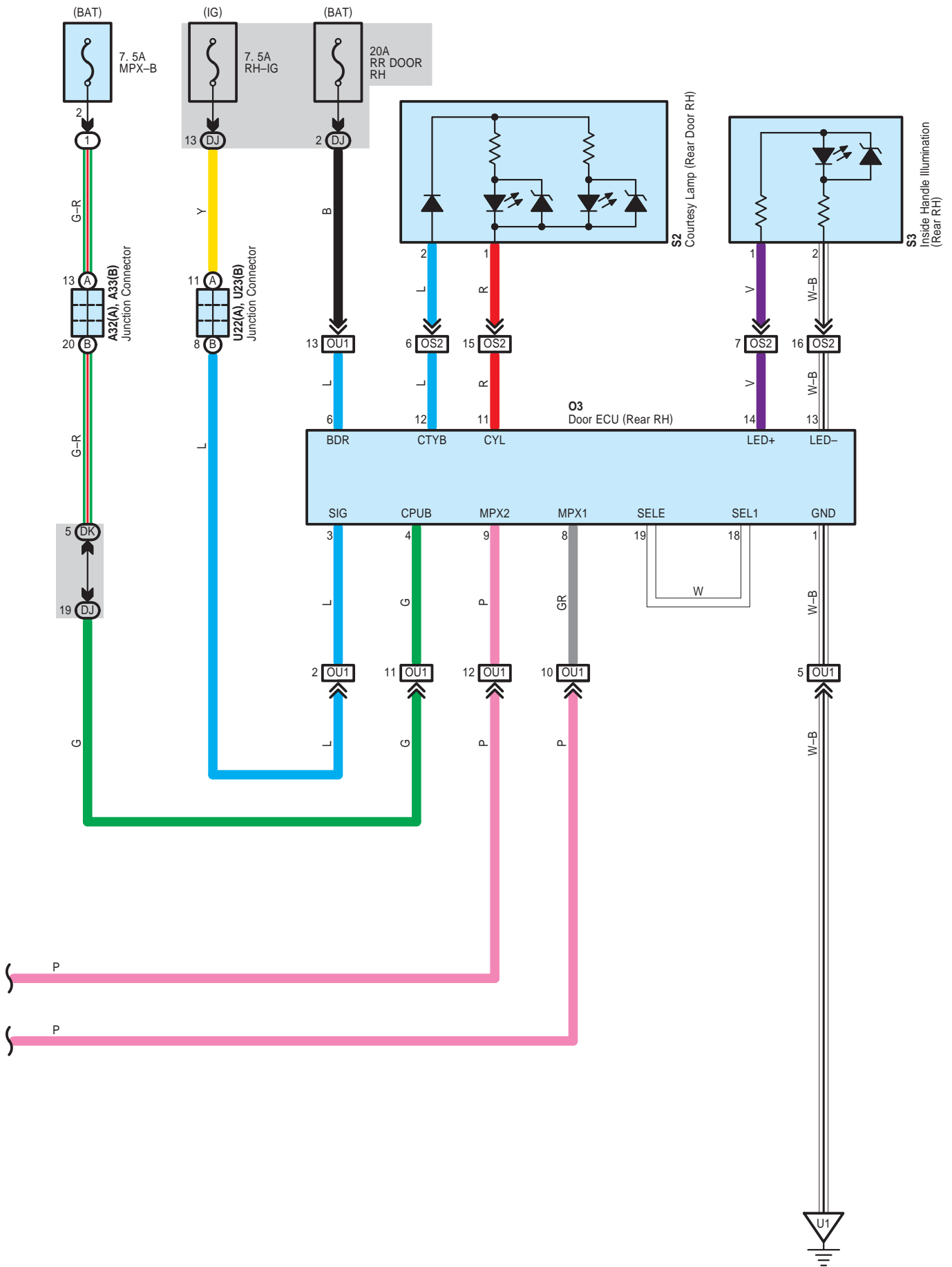






Interior Light





Interior Light

○ : Parts Location

Code	See Page	Code	See Page	Code	See Page
A29	84	O3	88	U22 A	90
A30 A	84	O7	88	U23 B	90
A31	84	Q1	89	U28	90
A32 A	84	Q4	89	U40	90
A33 B	84	Q5	89	V1 B	87
K12	85	Q7	89	V3 D	87
K17	85	Q8	89	V7	91
K22	85	Q9	89	V13	91
K29	85	Q11	89	V26 A	91
K31 A	85	Q12	89	V27 B	91
K44	86	Q13	89	W1	92
K45	86	Q14	89	W2	92
K49	86	Q15	89	W3	92
K52	86	S2	89	W6 A	92
K66	86	S3	89	W9	92
K68 B	86	S6	89	W10	92
K73	86	S7	89	W11	92
M4	88	U1 D	87	X2	92
M9 A	88	U4	90	a12	94
M10 B	88	U11	90	b12	94

○ : Relay Blocks

Code	See Page	Relay Blocks (Relay Block Location)
1	24	Engine Room R/B No.1 (Engine Compartment Left)

 : Junction Block and Wire Harness Connector

Code	See Page	Junction Block and Wire Harness (Connector Location)
1X	29	Engine Room Main Wire and Engine Room J/B No.1 (Engine Compartment left)
4A	70	Instrument Panel Wire and Center J/B RH (Right Side of the Instrument Panel Reinforcement)
4C		
4D		
4E		
4F		
4G		
4H		
4I		
4J		
4K		
5A	66	Instrument Panel Wire and Center J/B LH (Right Side of the Instrument Panel Reinforcement)
5E		
5G		
5H		
5M		
DA	55	Instrument Panel Wire and Cowl Side J/B RH (Behind the Glove Box)
DD		
DJ	56	Floor Wire and Cowl Side J/B RH (Behind the Glove Box)
DK	56	Engine Room Main Wire and Cowl Side J/B RH (Behind the Glove Box)
DL		
LC	63	Floor No.2 Wire and Luggage Room J/B (Left Side of the Quarter Panel)
LF		
PA	49	Instrument Panel Wire and Cowl Side J/B LH (Lower Finish Panel)
PD		
PJ	50	Floor No.2 Wire and Cowl Side J/B LH (Lower Finish Panel)
PL	50	Engine Room Main Wire and Cowl Side J/B LH (Lower Finish Panel)

 : Connector Joining Wire Harness and Wire Harness

Code	See Page	Joining Wire Harness and Wire Harness (Connector Location)
KA2	97	Instrument Panel Wire and Engine Room Main Wire (Left Kick Panel)
KU2	97	Instrument Panel Wire and Floor No.1 Wire (Right Kick Panel)
KV1	97	Instrument Panel Wire and Floor No.2 Wire (Left Kick Panel)
KW1	97	Instrument Panel Wire and Roof Wire (Left Side of the Instrument Panel)
KW2		
MQ1	98	Front Door RH Wire and Front Door RH No.2 Wire (Front Door Inner Panel RH)
MQ2	98	Front Door LH Wire and Front Door LH No.2 Wire (Front Door Inner Panel LH)
MU1	97	Front Door RH Wire and Floor No.1 Wire (Right Kick Panel)
MU2		
MV1	97	Front Door LH Wire and Floor No.2 Wire (Left Kick Panel)
MV2		
OS2	98	Rear Door No.1 Wire and Rear Door RH Wire (Front Door Inner Panel RH)
OS4	98	Rear Door No.2 Wire and Rear Door LH Wire (Rear Door Inner Panel LH)
OU1	98	Rear Door No.1 Wire and Floor No.1 Wire (Right Center Pillar)
OV1	98	Rear Door No.2 Wire and Floor No.2 Wire (Left Center Pillar)
UV1	98	Floor No.1 Wire and Floor No.2 Wire (Center of the Rear Floor Partition Panel)
Ua1	99	Floor No.1 Wire and Front Seat RH Wire (Under the Front Passenger's Seat)
VX1	98	Floor No.2 Wire and Luggage Room Wire (Quarter Wheel House Inner Panel LH)
Vb1	99	Floor No.2 Wire and Front Seat LH Wire (Under the Driver's Seat)

Interior Light



: **Ground Points**

Code	See Page	Ground Points Location
K1	97	Left Kick Panel
K2	97	Left Side of the Shift Lever
K4	97	Right Kick Panel
U1	98	Under the Front Passenger's Seat
V1	98	Under the Driver's Seat
V2	98	Roof Side Inner Panel LH

