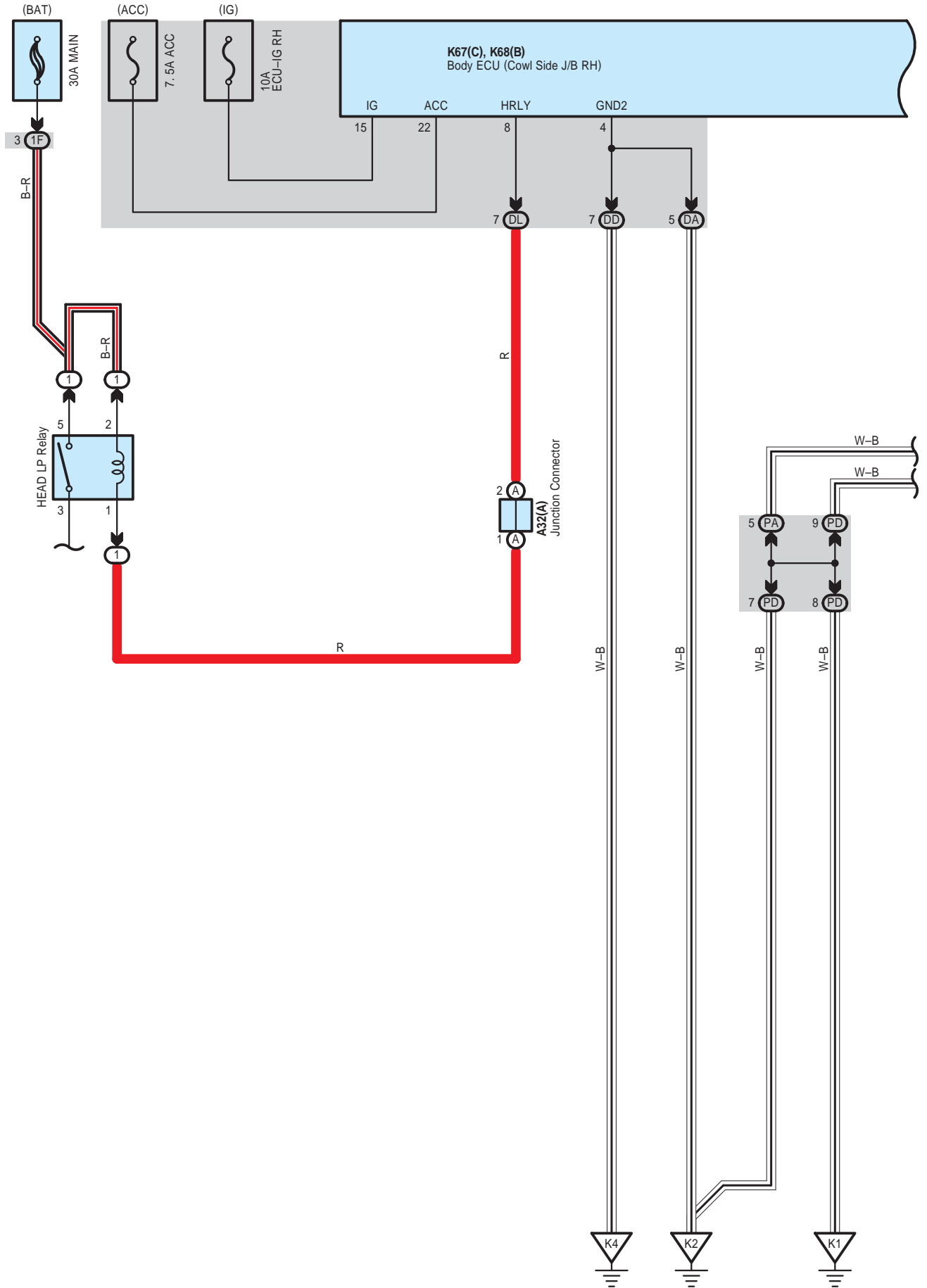
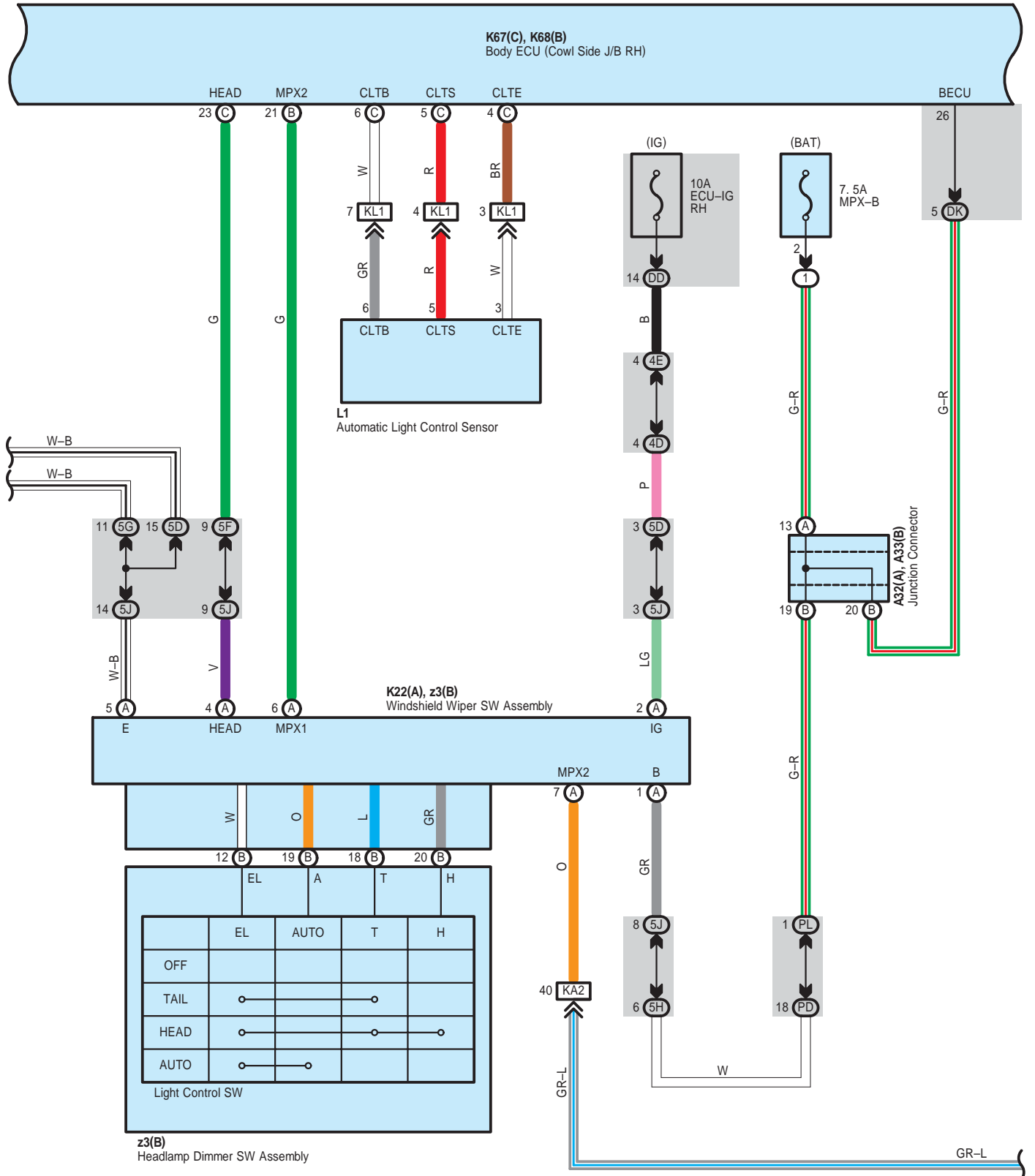
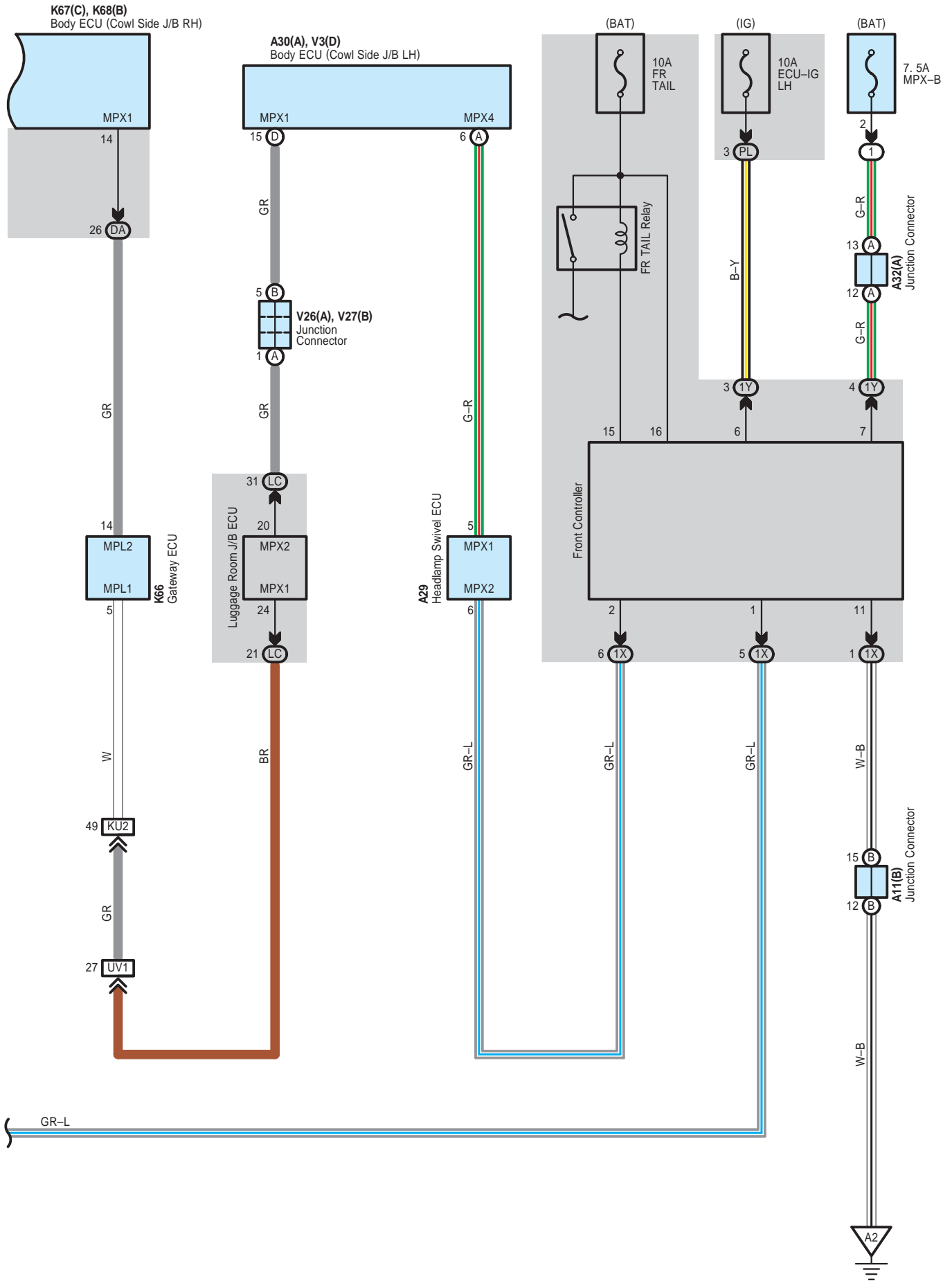


# Automatic Light Control





# Automatic Light Control



 : **Parts Location**

Code	See Page	Code	See Page	Code	See Page
A11	B	80	K22	A	85
A29	84	K66	86	V3	D
A30	A	84	K67	C	86
A32	A	84	K68	B	86
A33	B	84	L1	87	

 : **Relay Blocks**

Code	See Page	Relay Blocks (Relay Block Location)
1	24	Engine Room R/B No.1 (Engine Compartment Left)

 : **Junction Block and Wire Harness Connector**

Code	See Page	Junction Block and Wire Harness (Connector Location)
1F	27	Engine Room Main Wire and Engine Room J/B No.1 (Engine Compartment left)
1X	29	
1Y		
4D	70	Instrument Panel Wire and Center J/B RH (Right Side of the Instrument Panel Reinforcement)
4E		
5D	66	Instrument Panel Wire and Center J/B LH (Right Side of the Instrument Panel Reinforcement)
5F		
5G		
5H		
5J		
DA	55	Instrument Panel Wire and Cowl Side J/B RH (Behind the Glove Box)
DD		
DK	56	Engine Room Main Wire and Cowl Side J/B RH (Behind the Glove Box)
DL		
LC	63	Floor No.2 Wire and Luggage Room J/B (Left Side of the Quarter Panel )
PA	49	Instrument Panel Wire and Cowl Side J/B LH (Lower Finish Panel)
PD		
PL	50	Engine Room Main Wire and Cowl Side J/B LH (Lower Finish Panel)

 : **Connector Joining Wire Harness and Wire Harness**

Code	See Page	Joining Wire Harness and Wire Harness (Connector Location)
KA2	97	Instrument Panel Wire and Engine Room Main Wire (Left Kick Panel)
KL1	97	Instrument Panel Wire and Instrument Panel No.2 Wire (Center of the Instrument Panel)
KU2	97	Instrument Panel Wire and Floor No.1 Wire (Right Kick Panel)
UV1	98	Floor No.1 Wire and Floor No.2 Wire (Center of the Rear Floor Partition Panel)

 : **Ground Points**

Code	See Page	Ground Points Location
A2	96	Front Left Fender Apron
K1	97	Left Kick Panel
K2	97	Left Side of the Shift Lever
K4	97	Right Kick Panel