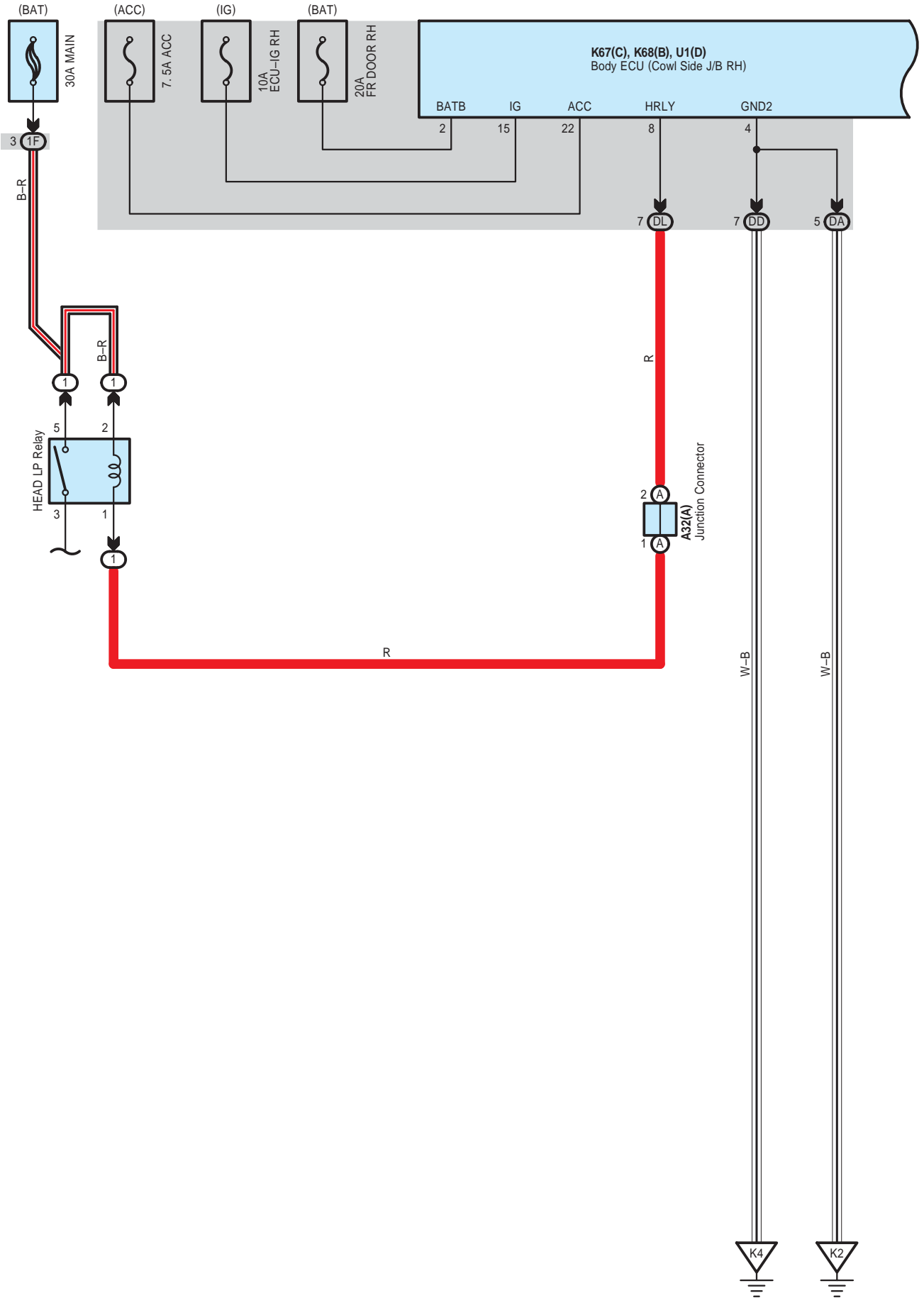
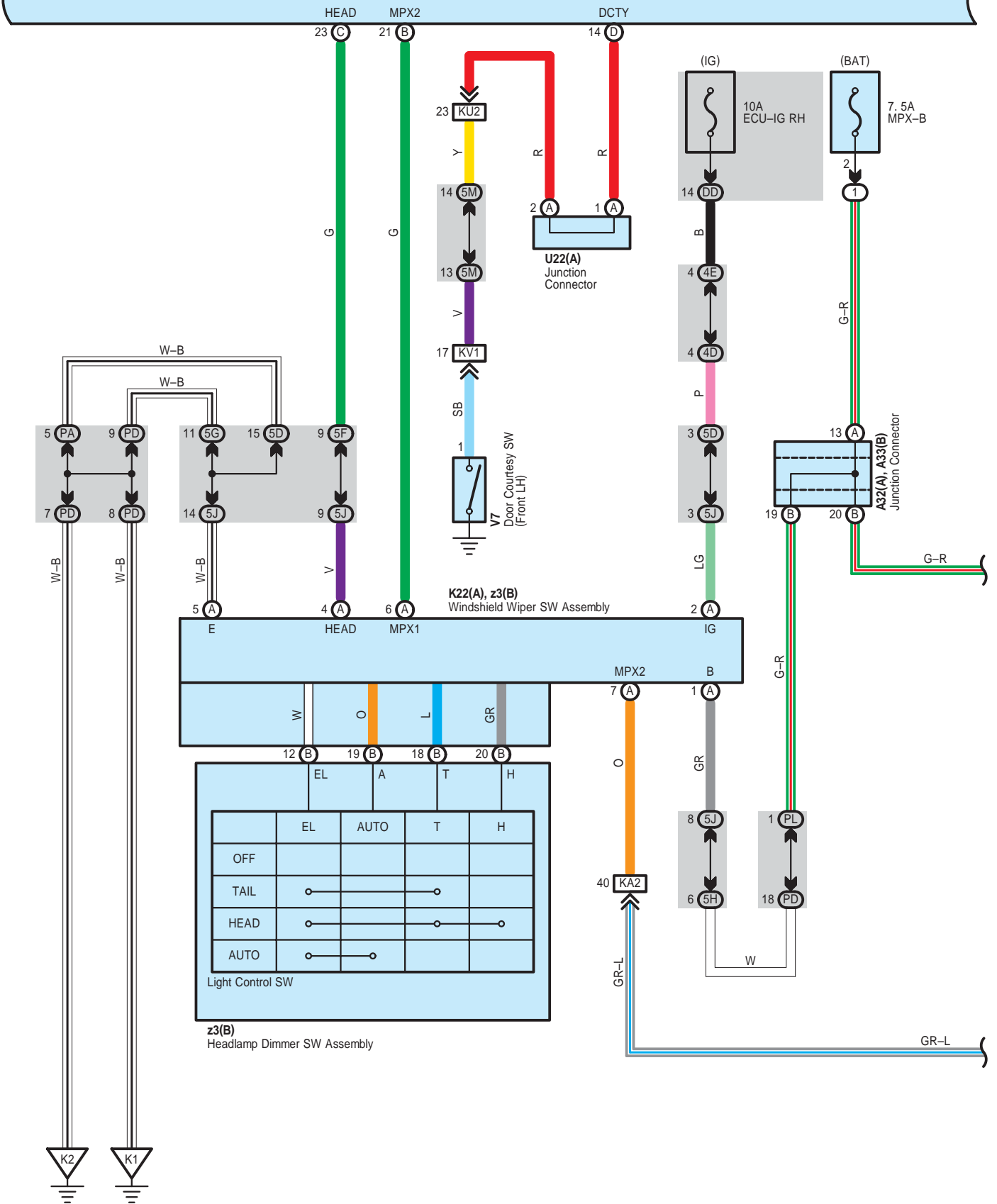


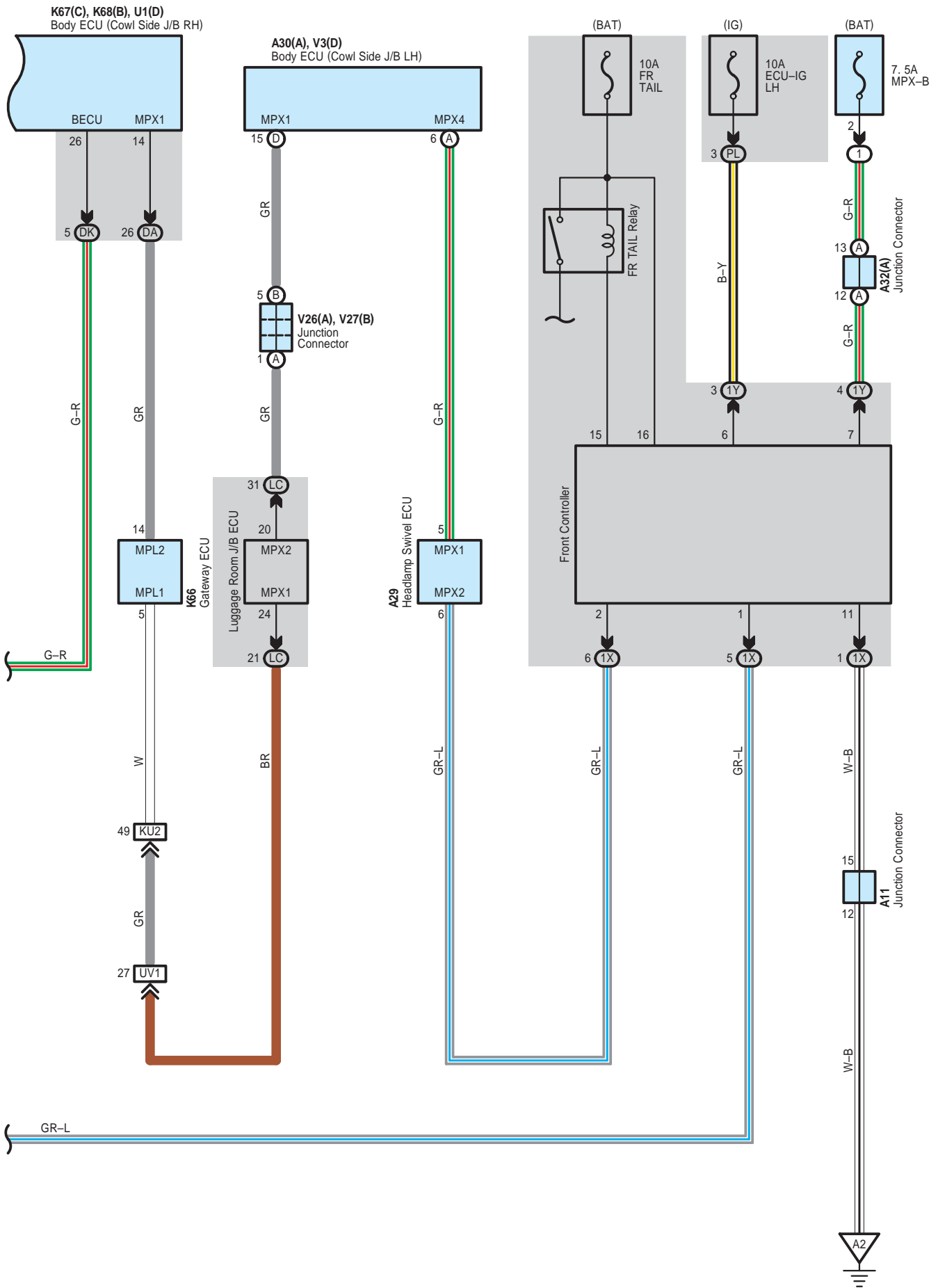
Light Auto Turn Off System



K67(C), K68(B), U1(D)
Body ECU (Cowl Side J/B RH)



Light Auto Turn Off System



 : **Parts Location**

Code	See Page	Code	See Page	Code	See Page
A11	80	K66	86	V7	91
A29	84	K67	C	V26	A
A30	A	K68	B	V27	B
A32	A	U1	D	z3	B
A33	B	U22	A		
K22	A	V3	D		

 : **Relay Blocks**

Code	See Page	Relay Blocks (Relay Block Location)
1	24	Engine Room R/B No.1 (Engine Compartment Left)

 : **Junction Block and Wire Harness Connector**

Code	See Page	Junction Block and Wire Harness (Connector Location)
1F	27	Engine Room Main Wire and Engine Room J/B No.1 (Engine Compartment left)
1X	29	
1Y		
4D	70	Instrument Panel Wire and Center J/B RH (Right Side of the Instrument Panel Reinforcement)
4E		
5D	66	Instrument Panel Wire and Center J/B LH (Right Side of the Instrument Panel Reinforcement)
5F		
5G		
5H		
5J		
5M		
DA	55	Instrument Panel Wire and Cowl Side J/B RH (Behind the Glove Box)
DD		
DK	56	Engine Room Main Wire and Cowl Side J/B RH (Behind the Glove Box)
DL		
LC	63	Floor No.2 Wire and Luggage Room J/B (Left Side of the Quarter Panel)
PA	49	Instrument Panel Wire and Cowl Side J/B LH (Lower Finish Panel)
PD		
PL	50	Engine Room Main Wire and Cowl Side J/B LH (Lower Finish Panel)

 : **Connector Joining Wire Harness and Wire Harness**

Code	See Page	Joining Wire Harness and Wire Harness (Connector Location)
KA2	97	Instrument Panel Wire and Engine Room Main Wire (Left Kick Panel)
KU2	97	Instrument Panel Wire and Floor No.1 Wire (Right Kick Panel)
KV1	97	Instrument Panel Wire and Floor No.2 Wire (Left Kick Panel)
UV1	98	Floor No.1 Wire and Floor No.2 Wire (Center of the Rear Floor Partition Panel)

 : **Ground Points**

Code	See Page	Ground Points Location
A2	96	Front Left Fender Apron
K1	97	Left Kick Panel
K2	97	Left Side of the Shift Lever
K4	97	Right Kick Panel