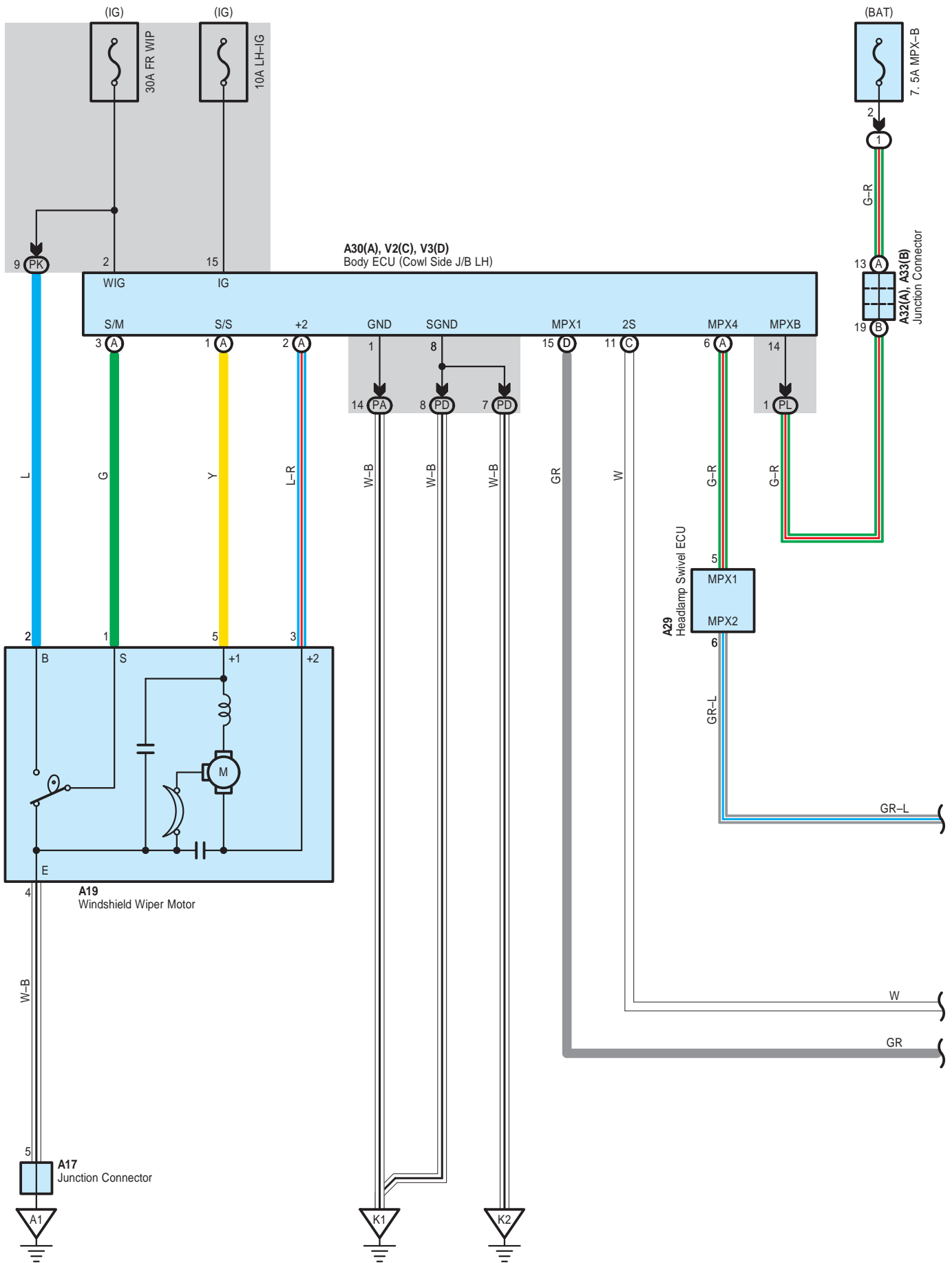
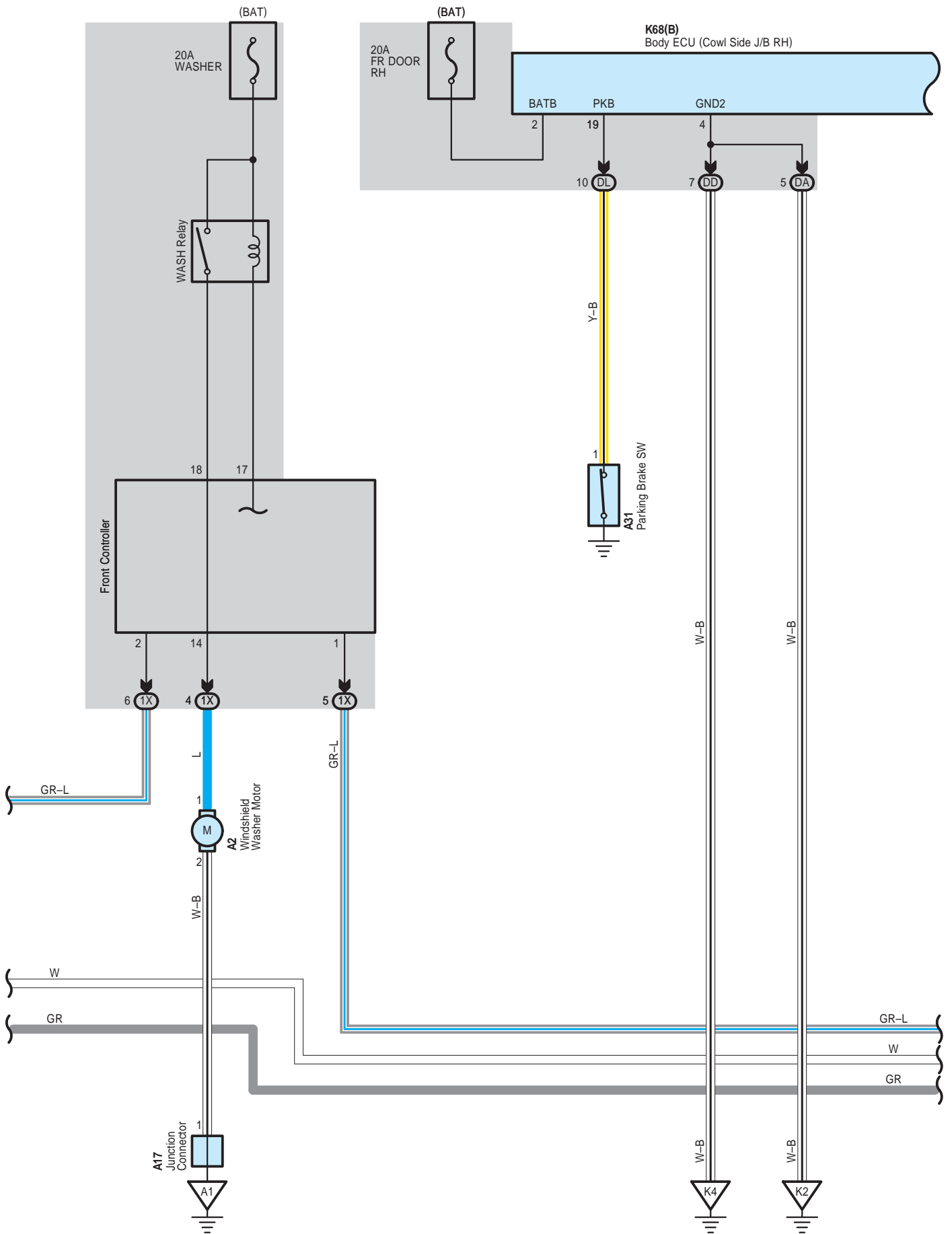
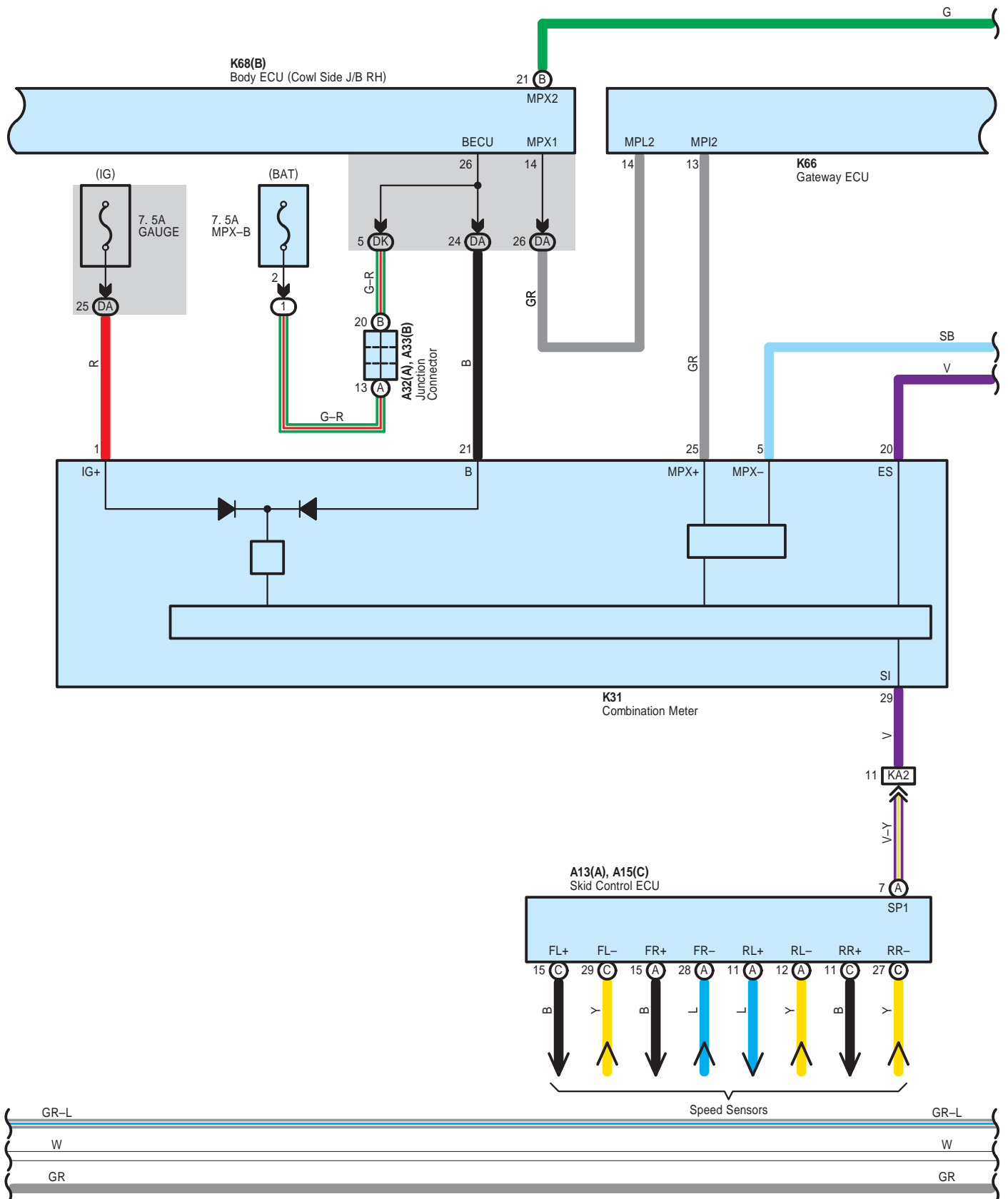


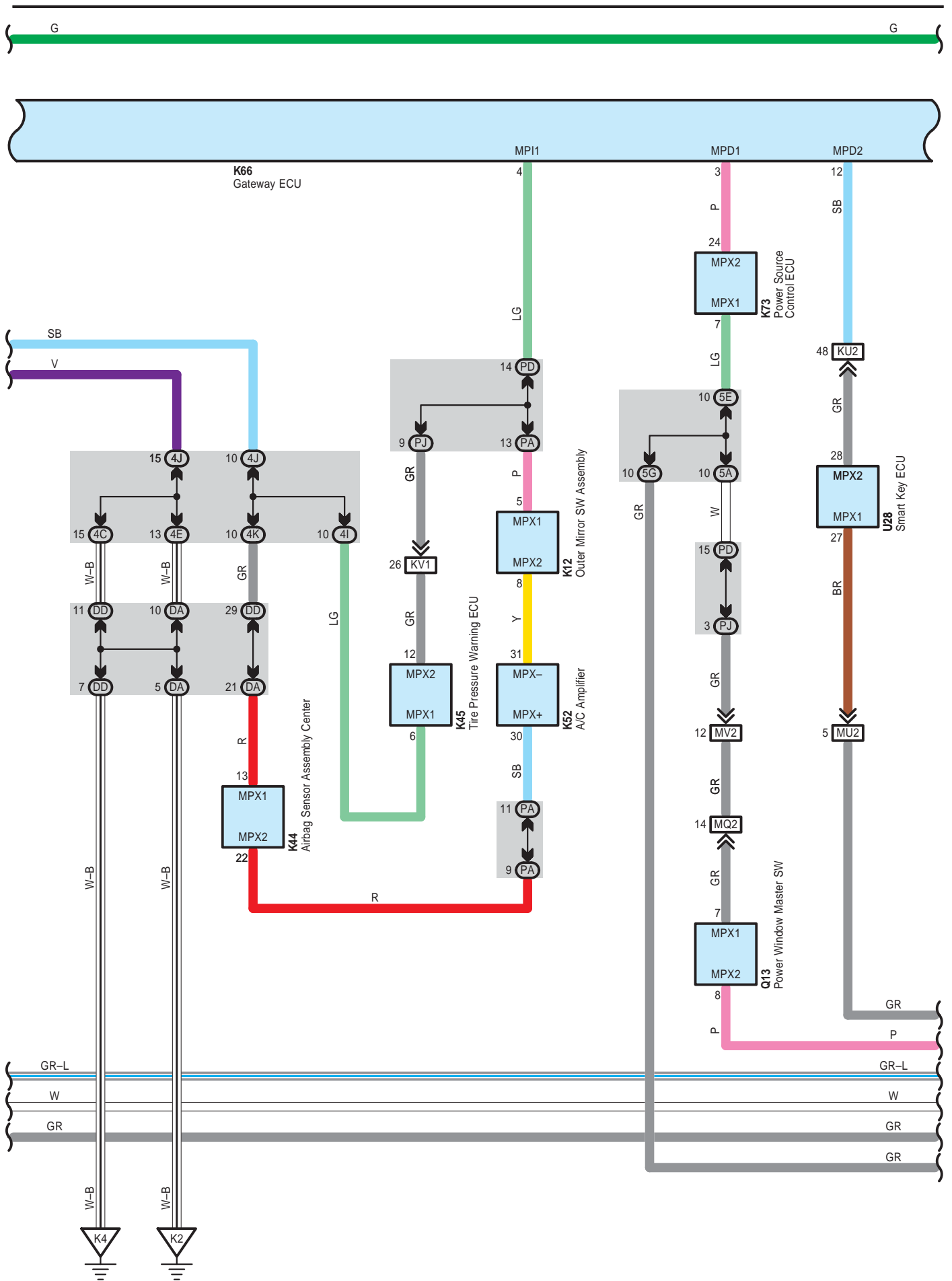
Front Wiper and Washer



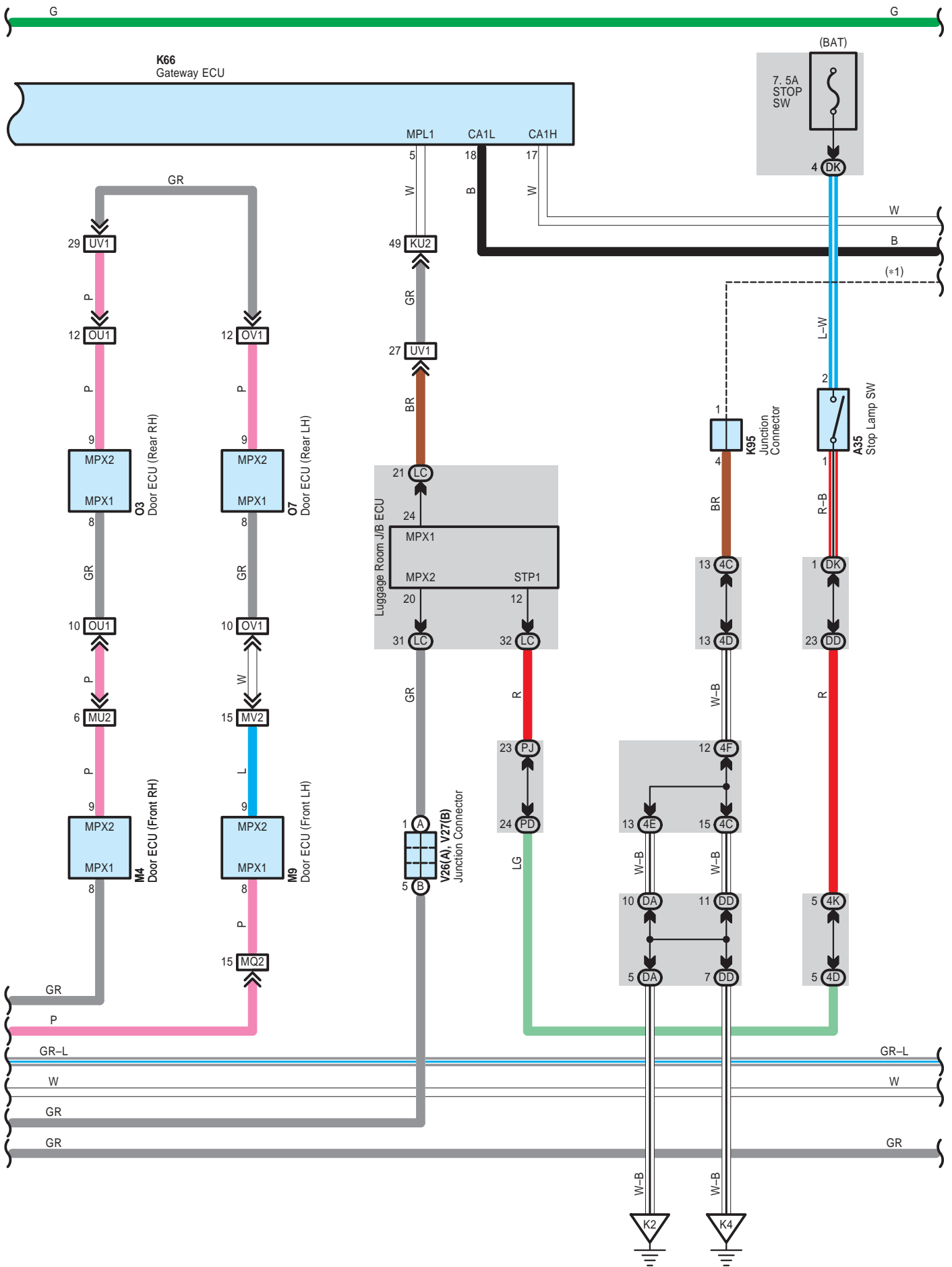


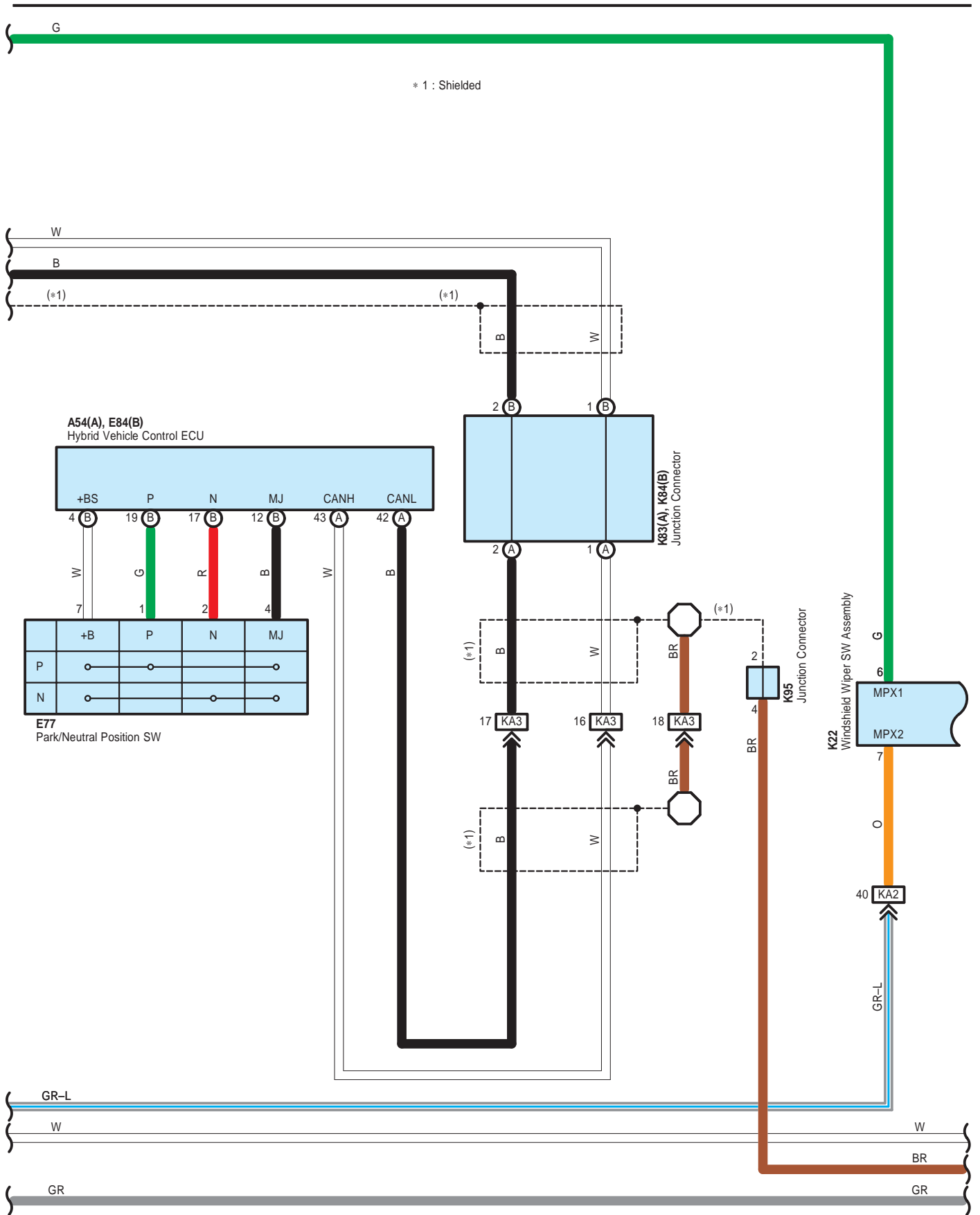
Front Wiper and Washer



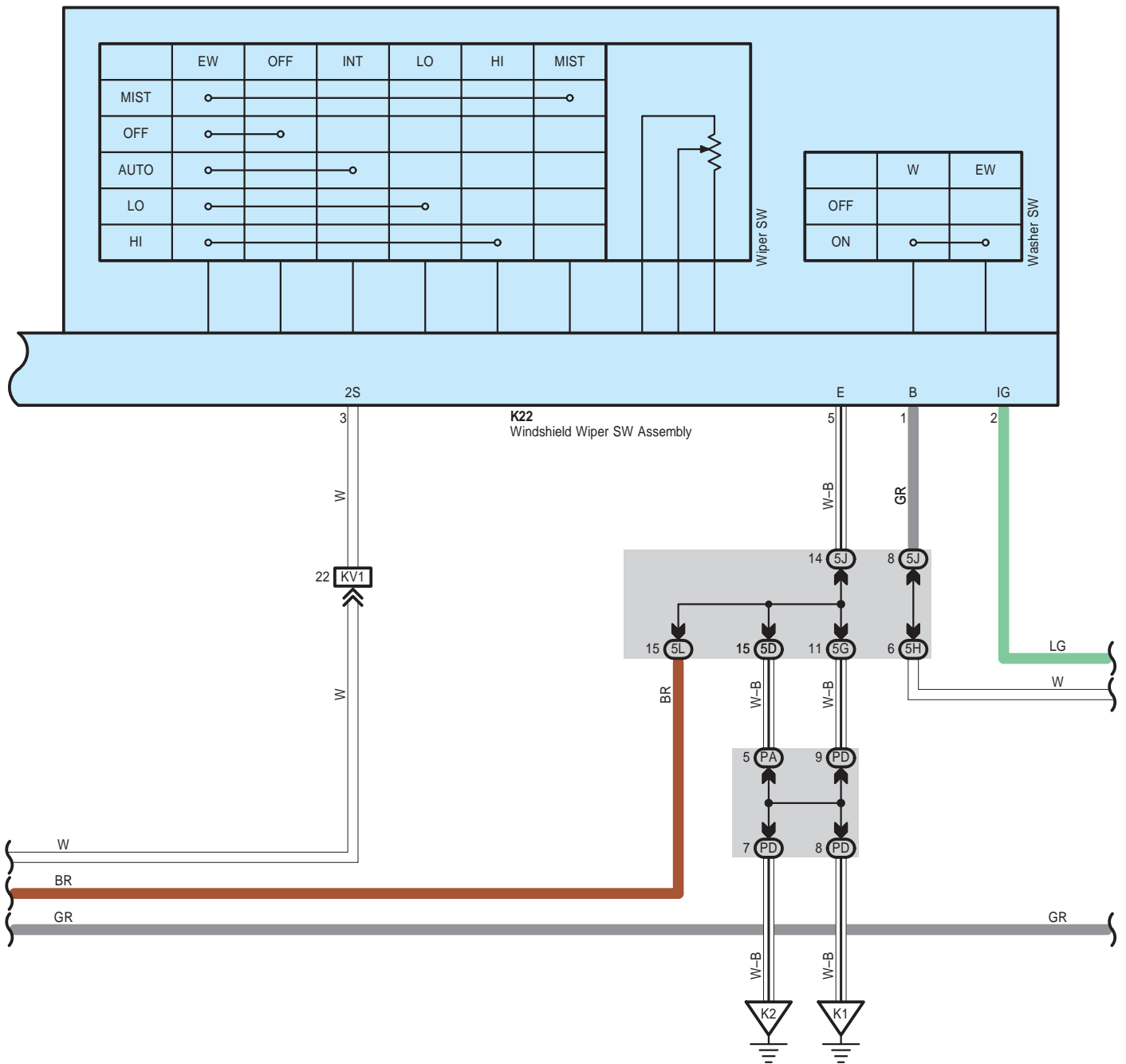


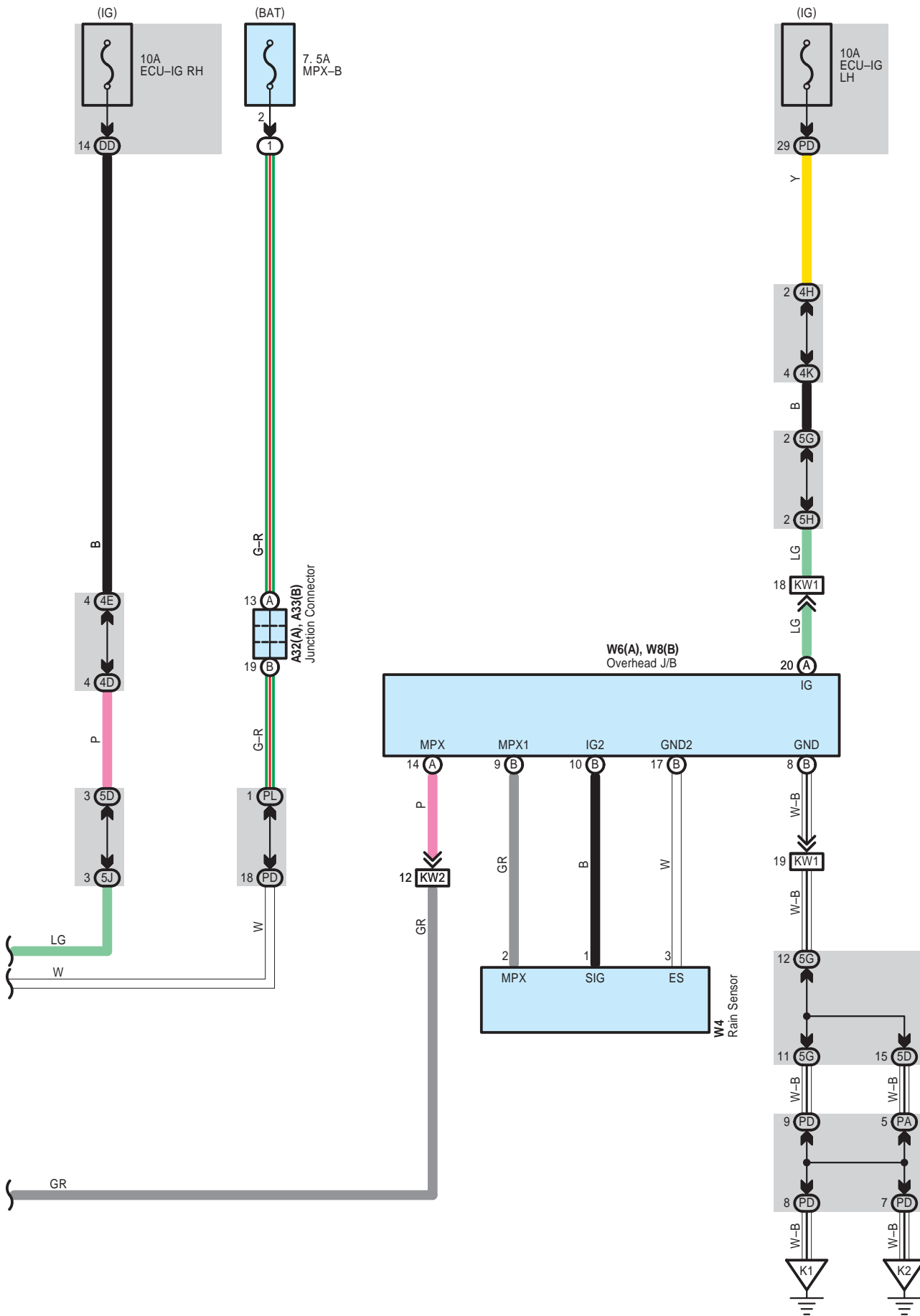
Front Wiper and Washer





Front Wiper and Washer





Front Wiper and Washer

○ : Parts Location

Code	See Page	Code	See Page	Code	See Page
A2	80	E84 B	81	M4	88
A13 A	80	K12	85	M9	88
A15 C	80	K22	85	O3	88
A17	80	K31	85	O7	88
A19	80	K44	86	Q13	89
A29	84	K45	86	U28	90
A30 A	84	K52	86	V2 C	87
A31	84	K66	86	V3 D	87
A32 A	84	K68 B	86	V26 A	91
A33 B	84	K73	86	V27 B	91
A35	84	K83 A	78, 86	W4	92
A54 A	80	K84 B	78, 86	W6 A	92
E77	81	K95	86	W8 B	92

○ : Relay Blocks

Code	See Page	Relay Blocks (Relay Block Location)
1	24	Engine Room R/B No.1 (Engine Compartment Left)

○ : Junction Block and Wire Harness Connector

Code	See Page	Junction Block and Wire Harness (Connector Location)
1X	29	Engine Room Main Wire and Engine Room J/B No.1 (Engine Compartment left)
4C	70	Instrument Panel Wire and Center J/B RH (Right Side of the Instrument Panel Reinforcement)
4D		
4E		
4F		
4H		
4I		
4J		
4K	66	Instrument Panel Wire and Center J/B LH (Right Side of the Instrument Panel Reinforcement)
5A		
5D		
5E		
5G		
5H	55	Instrument Panel Wire and Cowl Side J/B RH (Behind the Glove Box)
5J		
5L		
DA	56	Engine Room Main Wire and Cowl Side J/B RH (Behind the Glove Box)
DD		
DK	63	Floor No.2 Wire and Luggage Room J/B (Left Side of the Quarter Panel)
DL		
LC	49	Instrument Panel Wire and Cowl Side J/B LH (Lower Finish Panel)
PA		
PD	50	Floor No.2 Wire and Cowl Side J/B LH (Lower Finish Panel)
PJ		
PK	50	Engine Room Main Wire and Cowl Side J/B LH (Lower Finish Panel)
PL		

 : Connector Joining Wire Harness and Wire Harness

Code	See Page	Joining Wire Harness and Wire Harness (Connector Location)
KA2	97	Instrument Panel Wire and Engine Room Main Wire (Left Kick Panel)
KA3	97	Instrument Panel Wire and Engine Room Main Wire (Right Kick Panel)
KU2	97	Instrument Panel Wire and Floor No.1 Wire (Right Kick Panel)
KV1	97	Instrument Panel Wire and Floor No.2 Wire (Left Kick Panel)
KW1	97	Instrument Panel Wire and Roof Wire (Left Side of the Instrument Panel)
KW2		
MQ2	98	Front Door LH Wire and Front Door LH No.2 Wire (Front Door Inner Panel LH)
MU2	97	Front Door RH Wire and Floor No.1 Wire (Right Kick Panel)
MV2	97	Front Door LH Wire and Floor No.2 Wire (Left Kick Panel)
OU1	98	Rear Door No.1 Wire and Floor No.1 Wire (Right Center Pillar)
OV1	98	Rear Door No.2 Wire and Floor No.2 Wire (Left Center Pillar)
UV1	98	Floor No.1 Wire and Floor No.2 Wire (Center of the Rear Floor Partition Panel)

 : Ground Points

Code	See Page	Ground Points Location
A1	96	Left Side of the Dash Panel
K1	97	Left Kick Panel
K2	97	Left Side of the Shift Lever
K4	97	Right Kick Panel