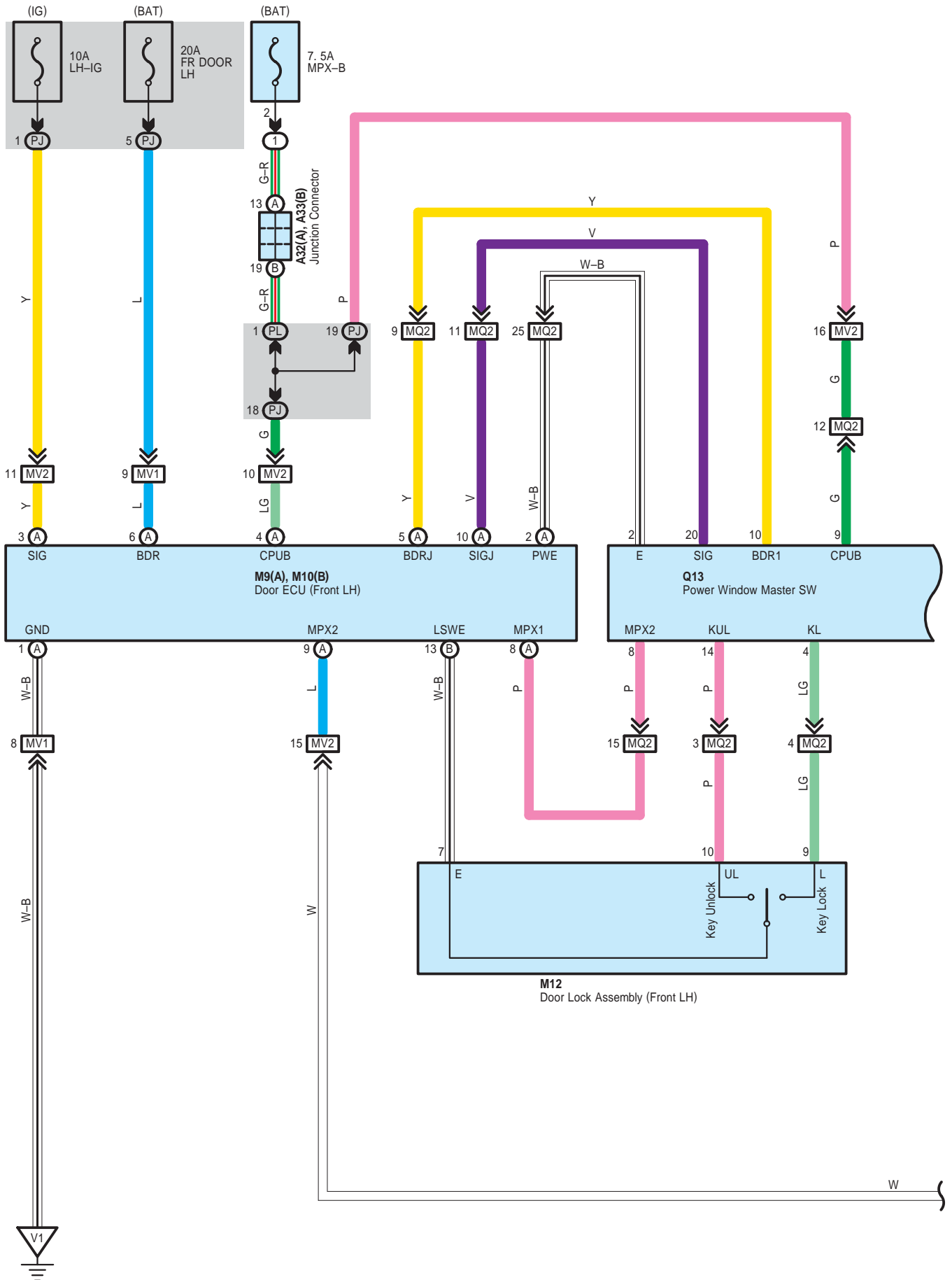
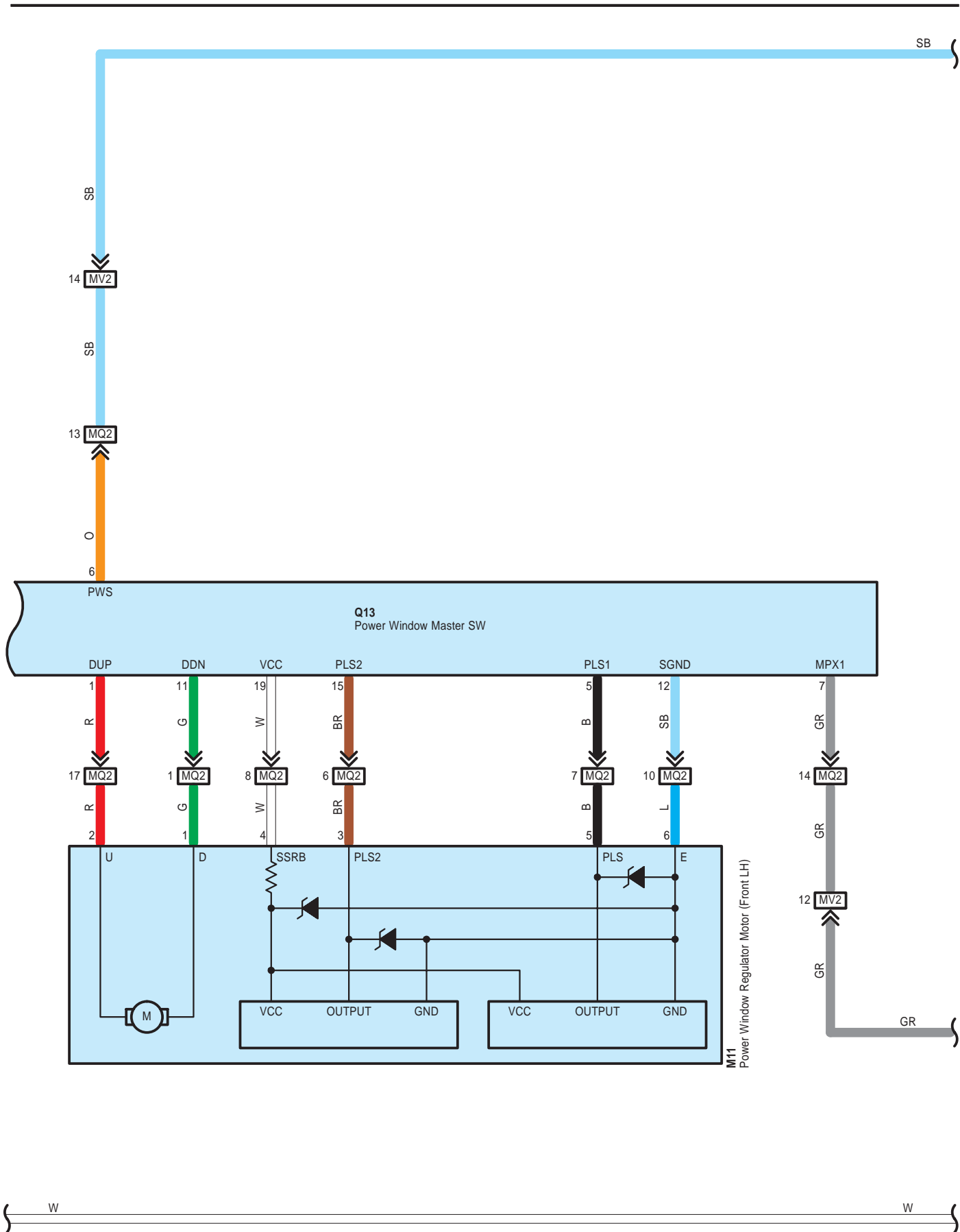
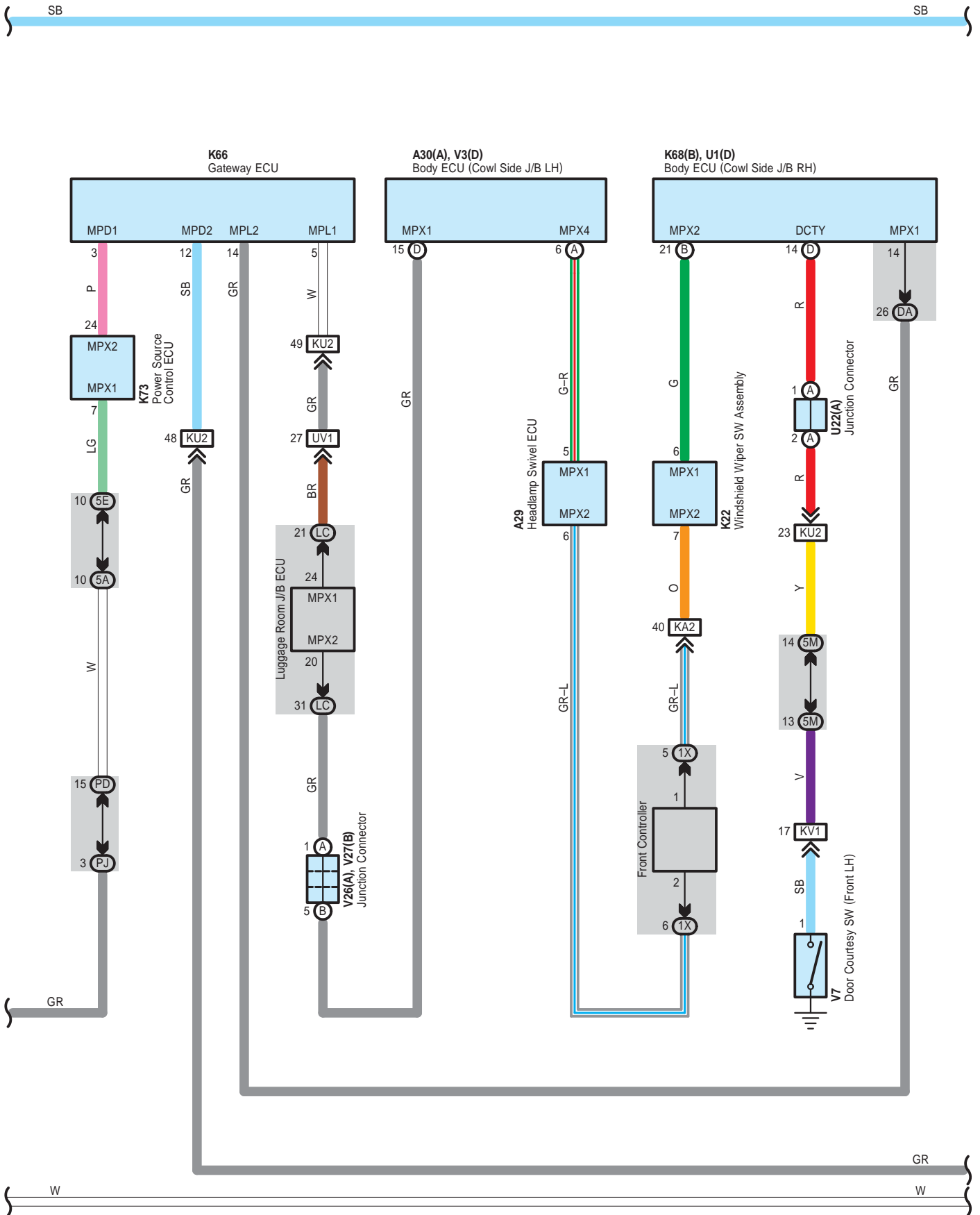


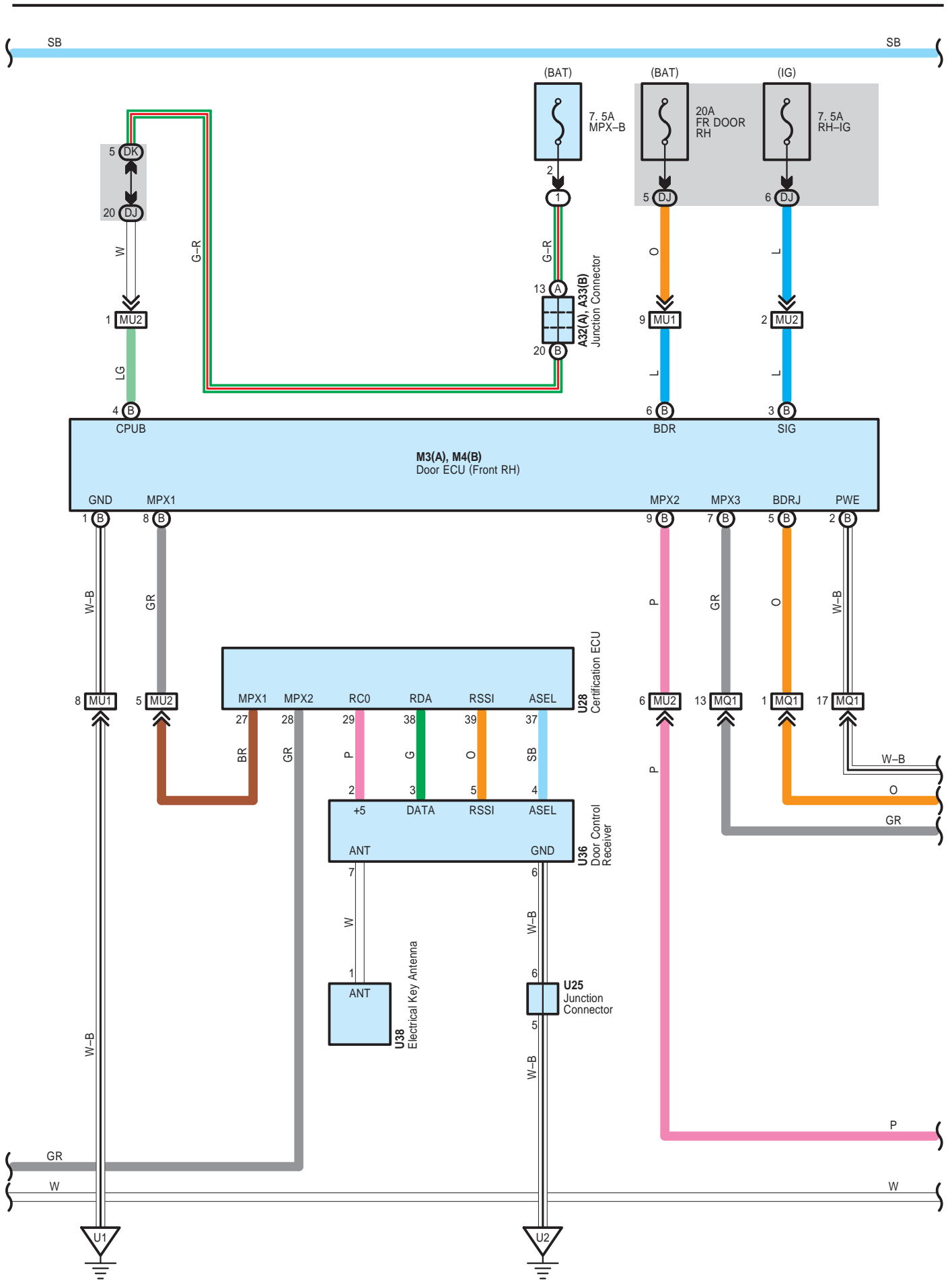
Power Window



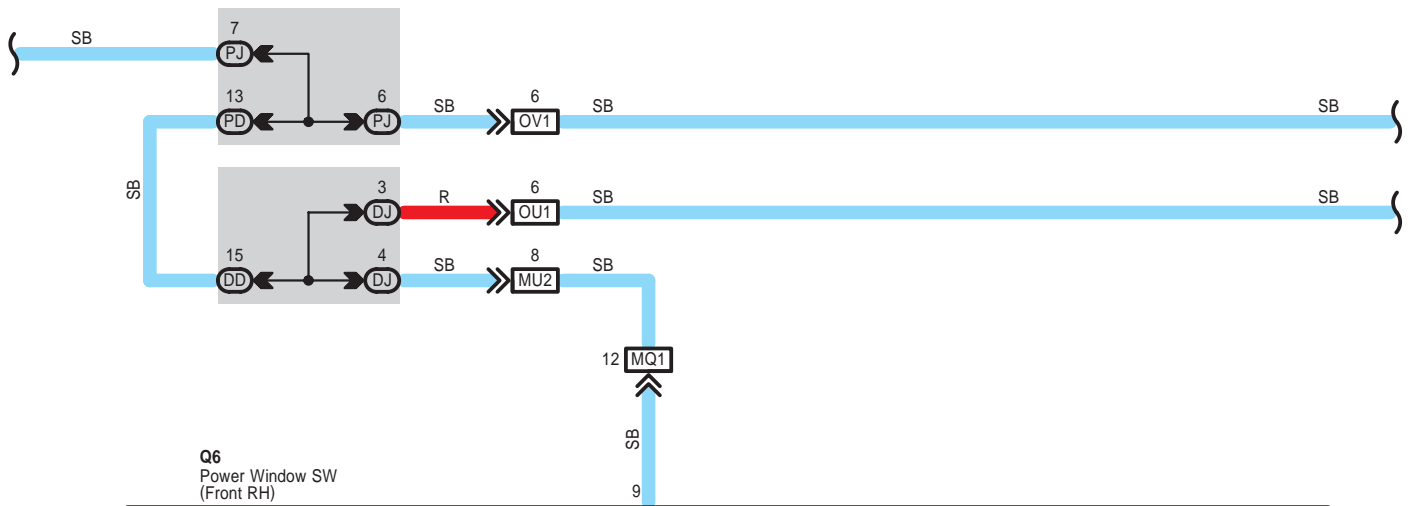


Power Window

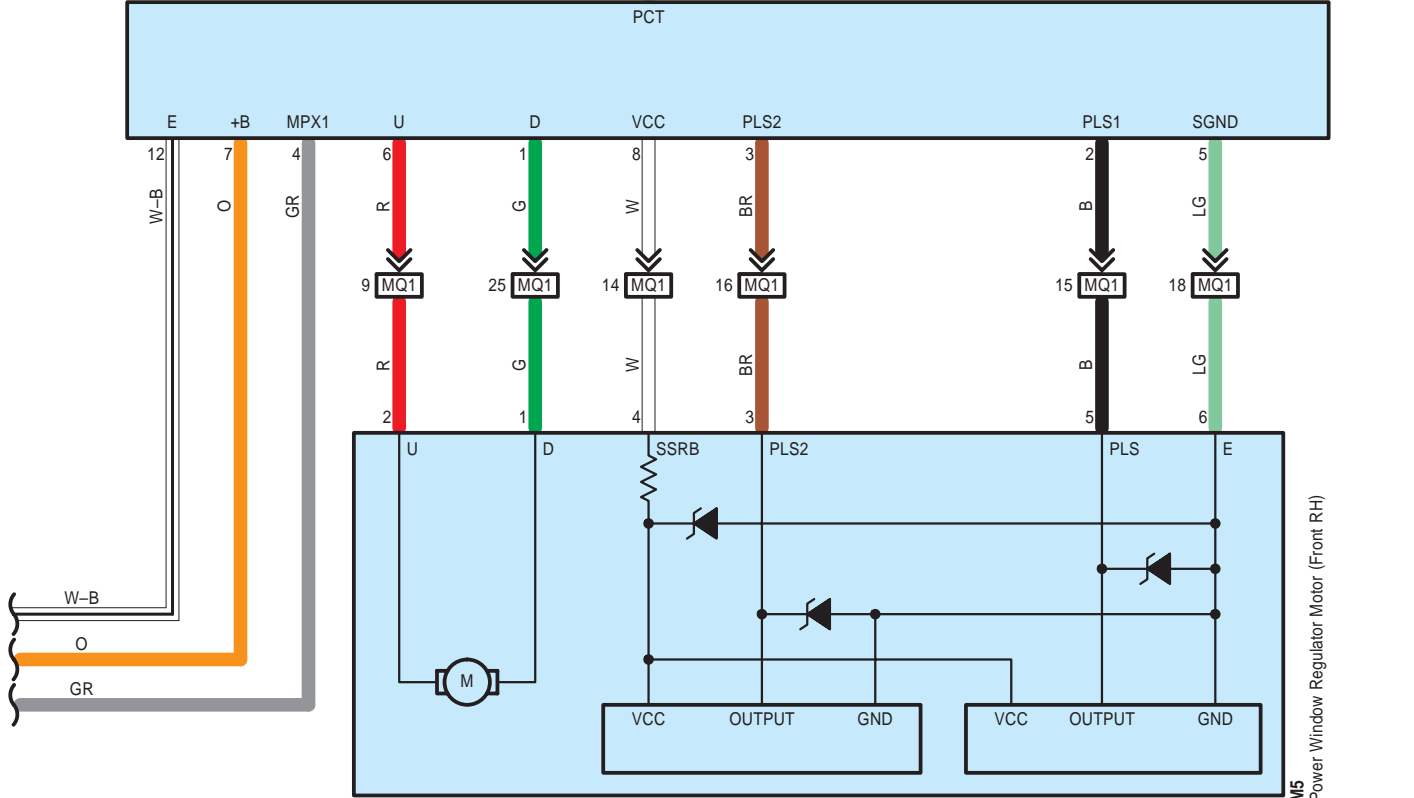




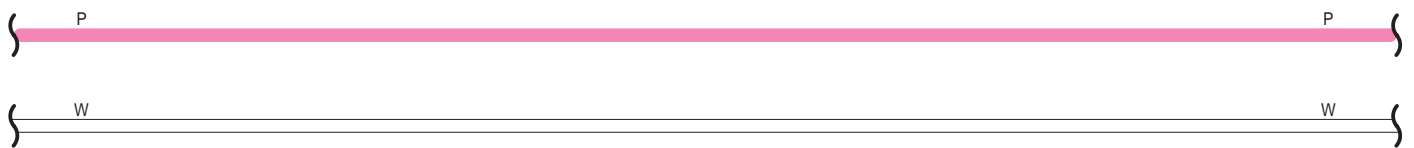
Power Window

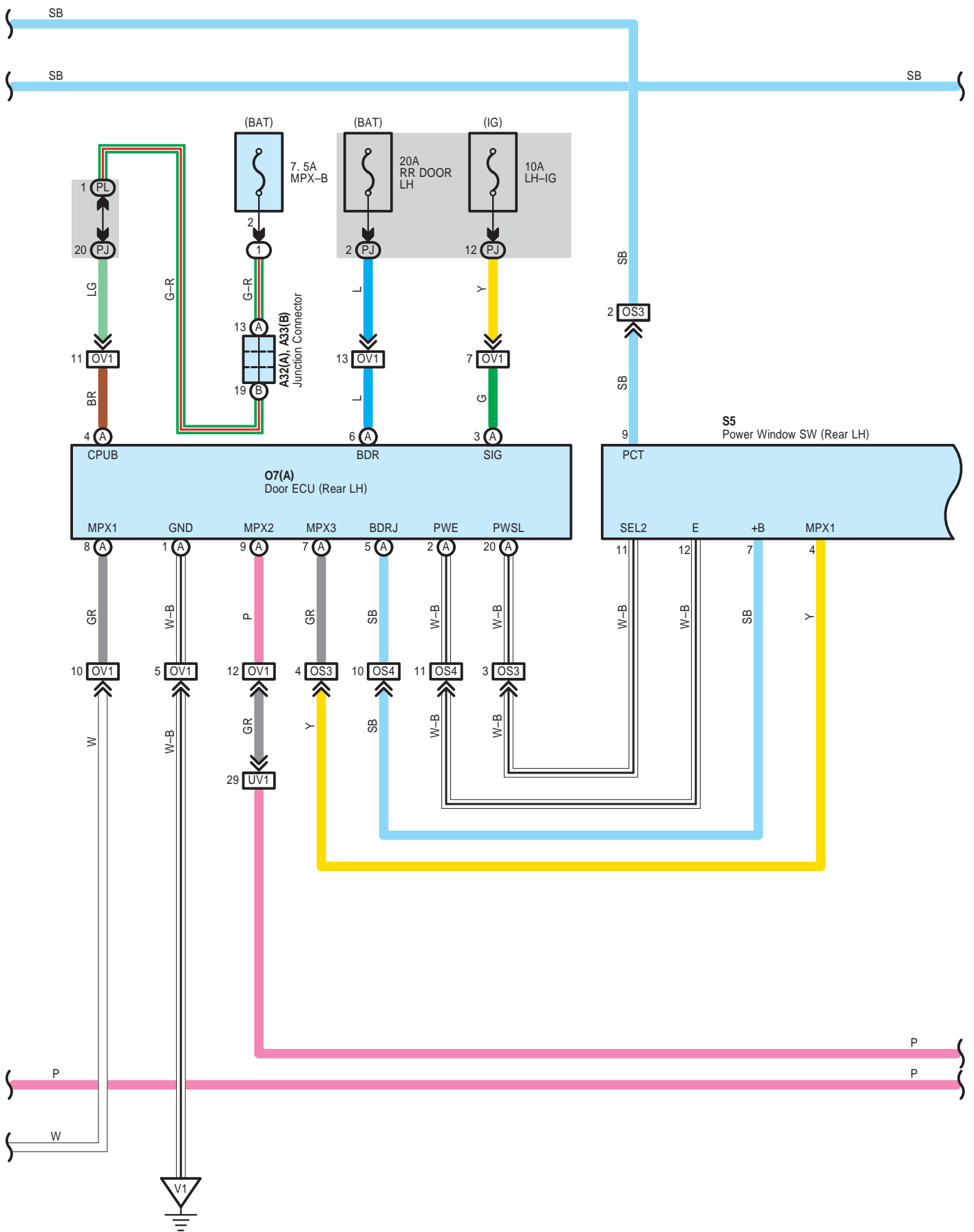


Q6
Power Window SW
(Front RH)

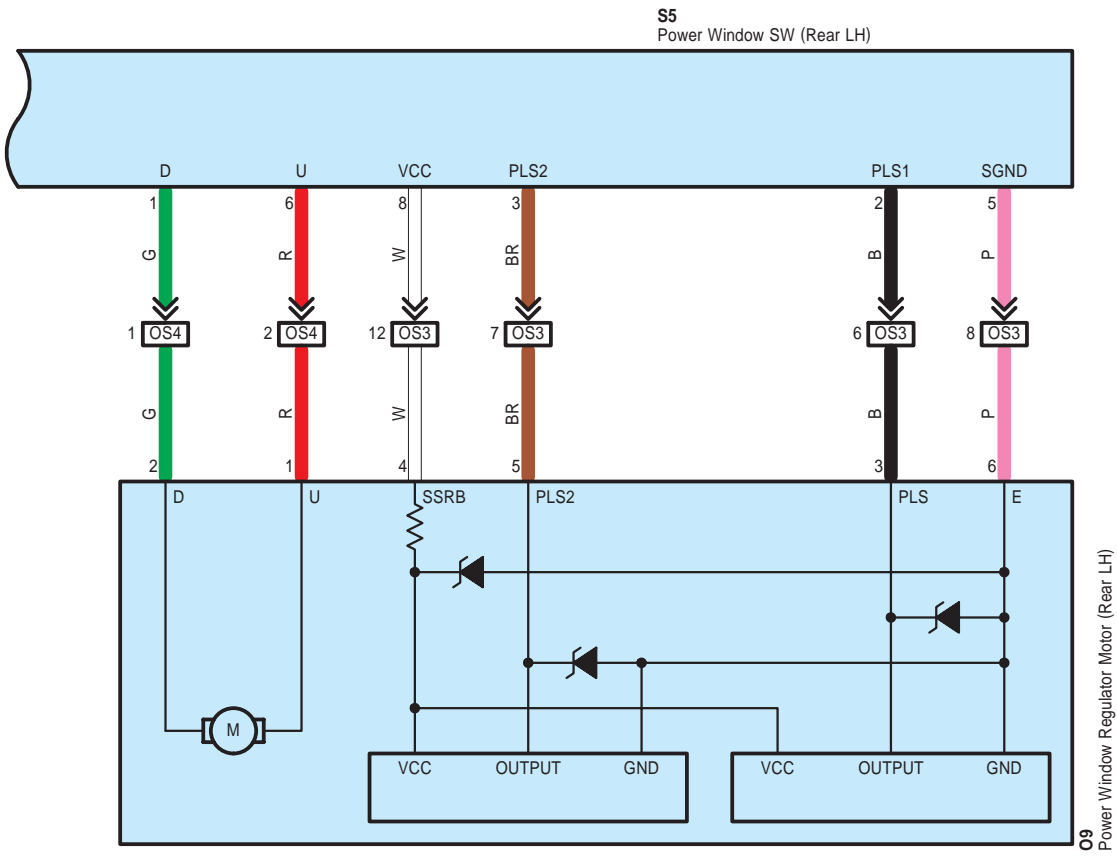


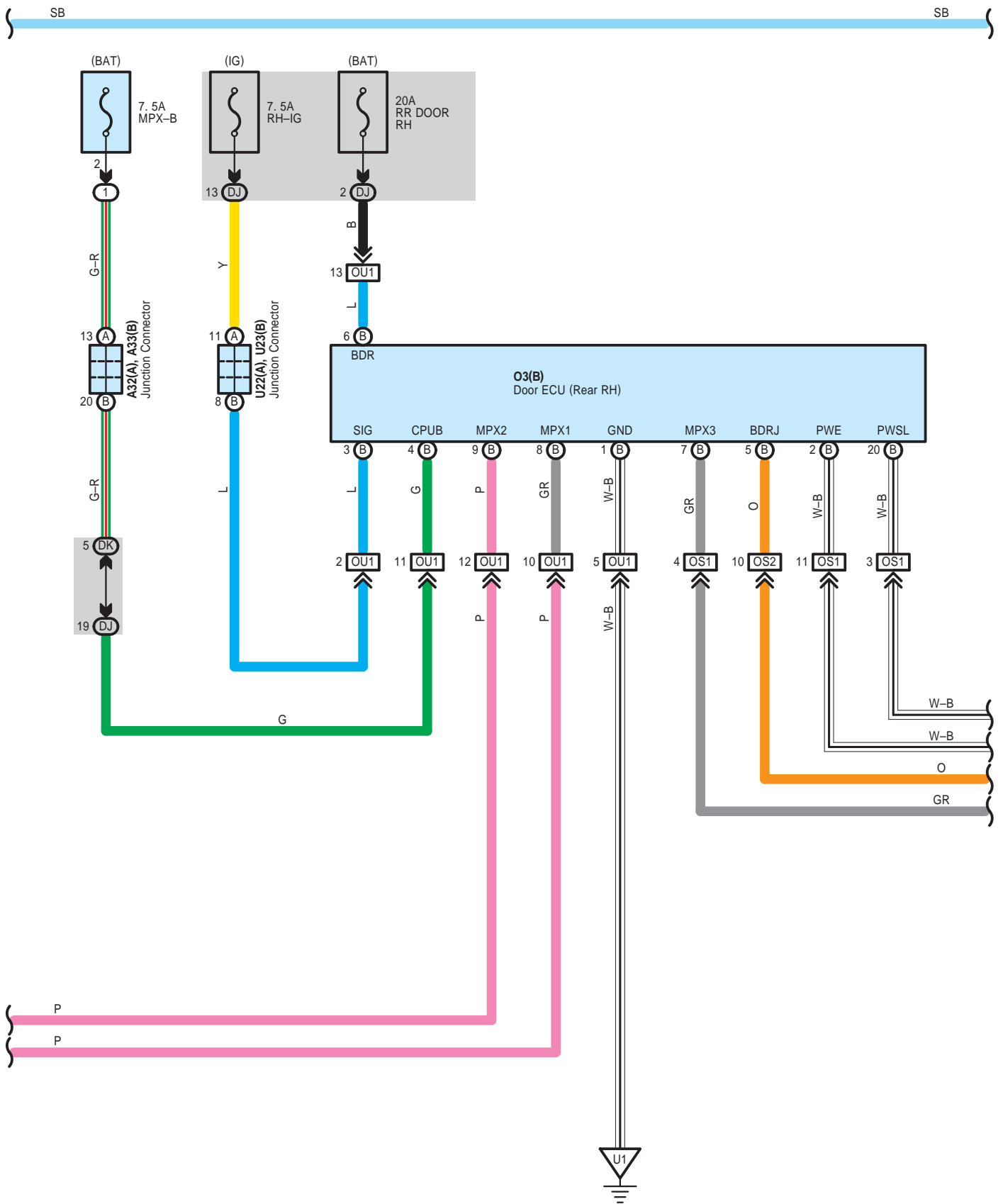
M5
Power Window Regulator Motor (Front RH)



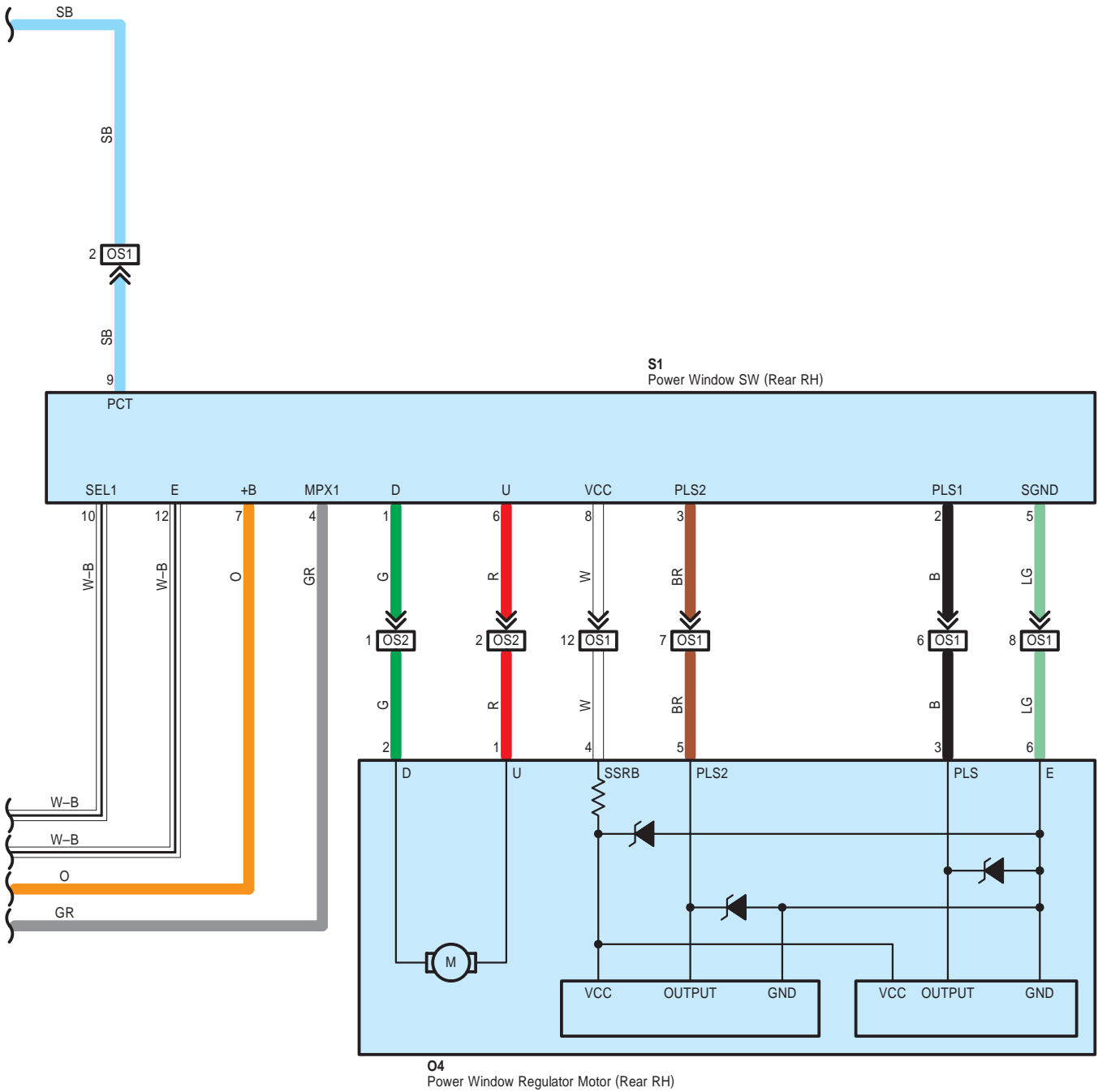


Power Window





Power Window



: Parts Location

Code	See Page	Code	See Page	Code	See Page
A29	84	M10	B 88	U22	A 90
A30	A 84	M11	88	U23	B 90
A32	A 84	M12	88	U25	90
A33	B 84	O3	B 88	U28	90
K22	85	O4	88	U36	90
K66	86	O7	A 88	U38	90
K68	B 86	O9	88	V3	D 87
K73	86	Q6	89	V7	91
M3	A 88	Q13	89	V26	A 91
M4	B 88	S1	89	V27	B 91
M5	88	S5	89		
M9	A 88	U1	D 87		

: Relay Blocks

Code	See Page	Relay Blocks (Relay Block Location)
1	24	Engine Room R/B No.1 (Engine Compartment Left)

: Junction Block and Wire Harness Connector

Code	See Page	Junction Block and Wire Harness (Connector Location)
1X	29	Engine Room Main Wire and Engine Room J/B No.1 (Engine Compartment left)
5A	66	Instrument Panel Wire and Center J/B LH (Right Side of the Instrument Panel Reinforcement)
5E		
5M		
DA	55	Instrument Panel Wire and Cowl Side J/B RH (Behind the Glove Box)
DD		
DJ	56	Floor Wire and Cowl Side J/B RH (Behind the Glove Box)
DK	56	Engine Room Main Wire and Cowl Side J/B RH (Behind the Glove Box)
LC	63	Floor No.2 Wire and Luggage Room J/B (Left Side of the Quarter Panel)
PD	49	Instrument Panel Wire and Cowl Side J/B LH (Lower Finish Panel)
PJ	50	Floor No.2 Wire and Cowl Side J/B LH (Lower Finish Panel)
PL	50	Engine Room Main Wire and Cowl Side J/B LH (Lower Finish Panel)

: Connector Joining Wire Harness and Wire Harness

Code	See Page	Joining Wire Harness and Wire Harness (Connector Location)
KA2	97	Instrument Panel Wire and Engine Room Main Wire (Left Kick Panel)
KU2	97	Instrument Panel Wire and Floor No.1 Wire (Right Kick Panel)
KV1	97	Instrument Panel Wire and Floor No.2 Wire (Left Kick Panel)
MQ1	98	Front Door RH Wire and Front Door RH No.2 Wire (Front Door Inner Panel RH)
MQ2	98	Front Door LH Wire and Front Door LH No.2 Wire (Front Door Inner Panel LH)
MU1	97	Front Door RH Wire and Floor No.1 Wire (Right Kick Panel)
MU2		
MV1	97	Front Door LH Wire and Floor No.2 Wire (Left Kick Panel)
MV2		
OS1	98	Rear Door No.1 Wire and Rear Door RH Wire (Front Door Inner Panel RH)
OS2		
OS3	98	Rear Door No.2 Wire and Rear Door LH Wire (Rear Door Inner Panel LH)
OS4		
OU1	98	Rear Door No.1 Wire and Floor No.1 Wire (Right Center Pillar)
OV1	98	Rear Door No.2 Wire and Floor No.2 Wire (Left Center Pillar)
UV1	98	Floor No.1 Wire and Floor No.2 Wire (Center of the Rear Floor Partition Panel)

Power Window



: **Ground Points**

Code	See Page	Ground Points Location
U1	98	Under the Front Passenger's Seat
U2	98	Right Side of the Rear Floor Partition Panel
V1	98	Under the Driver's Seat

