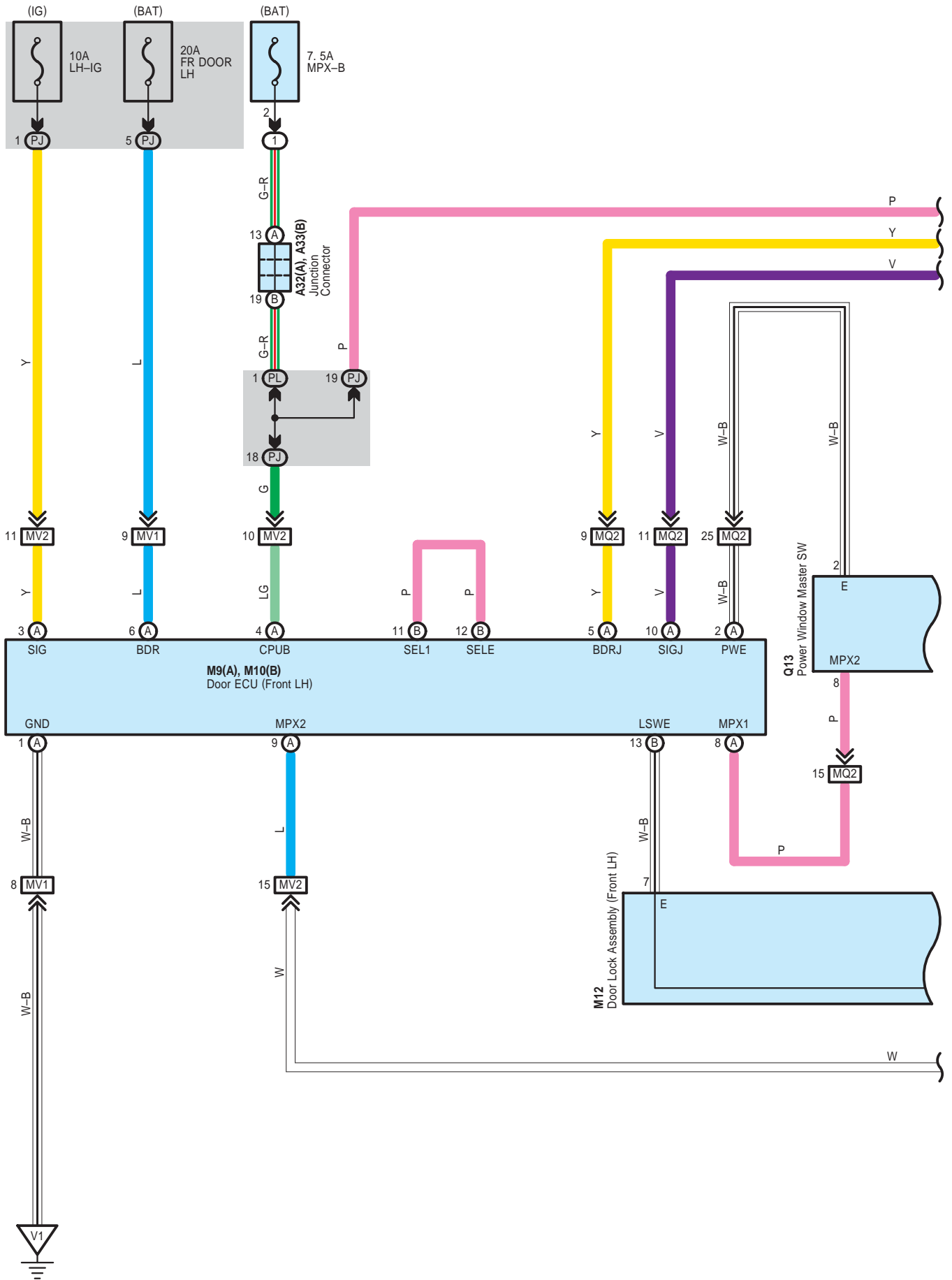


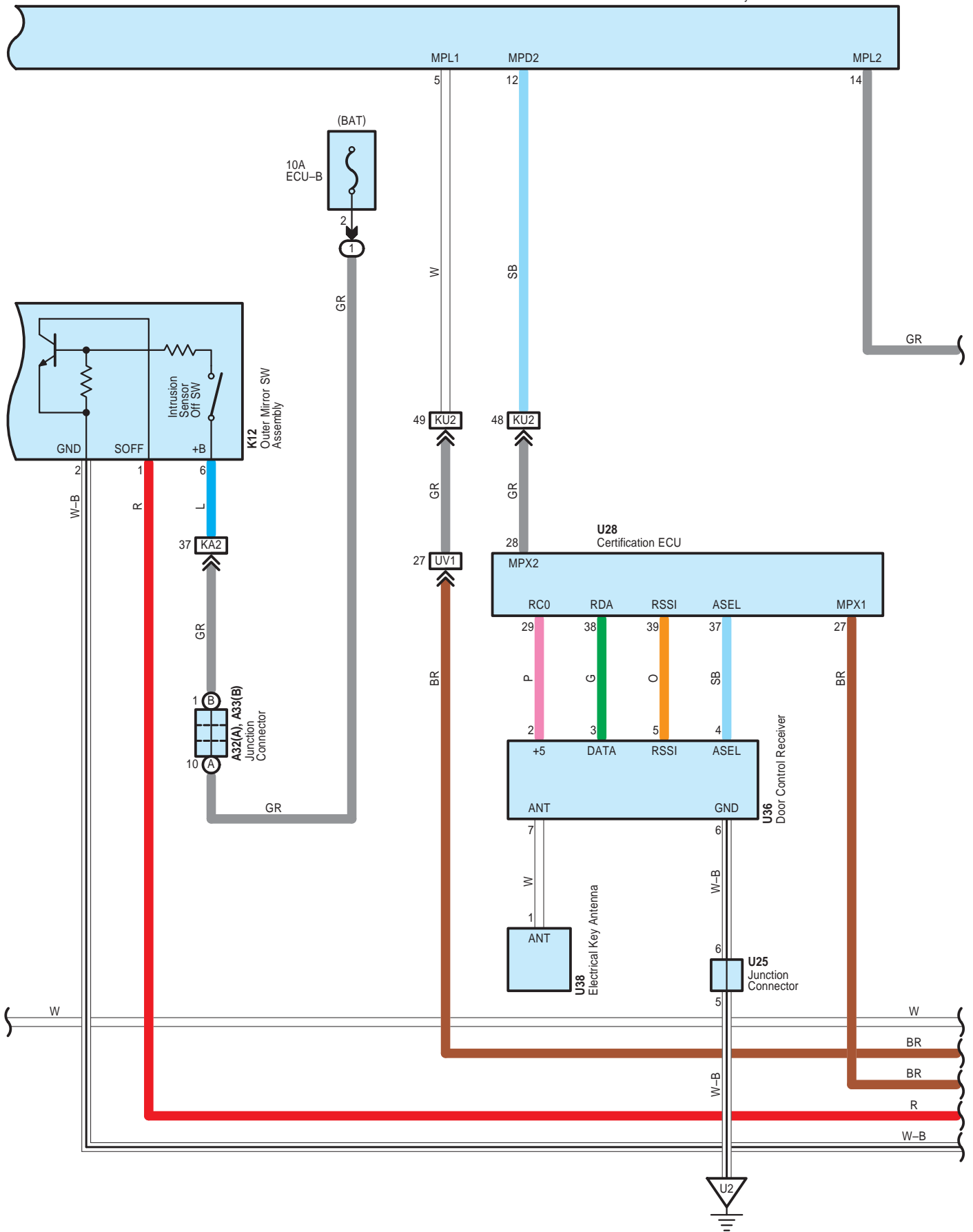
# Theft Deterrent

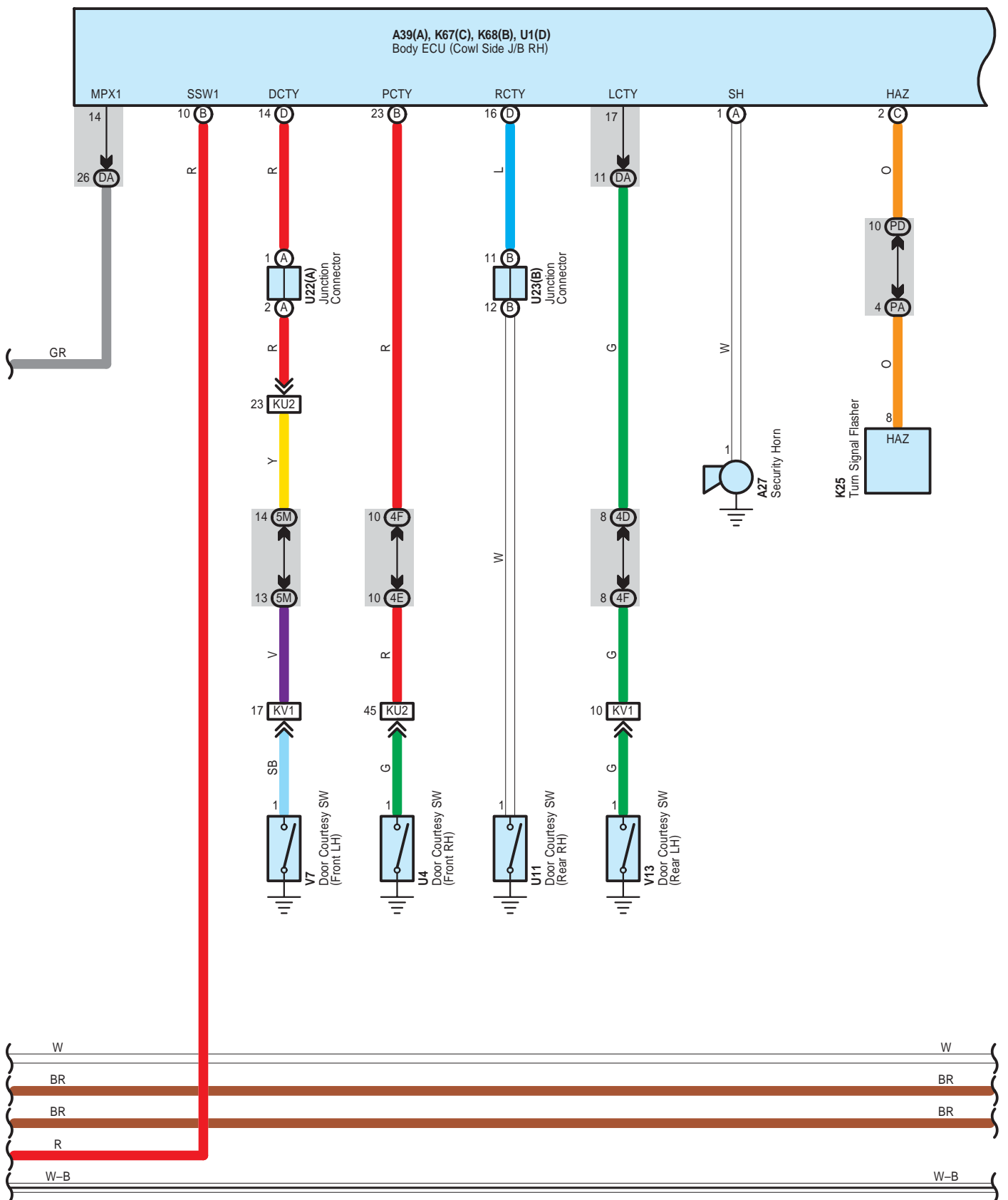




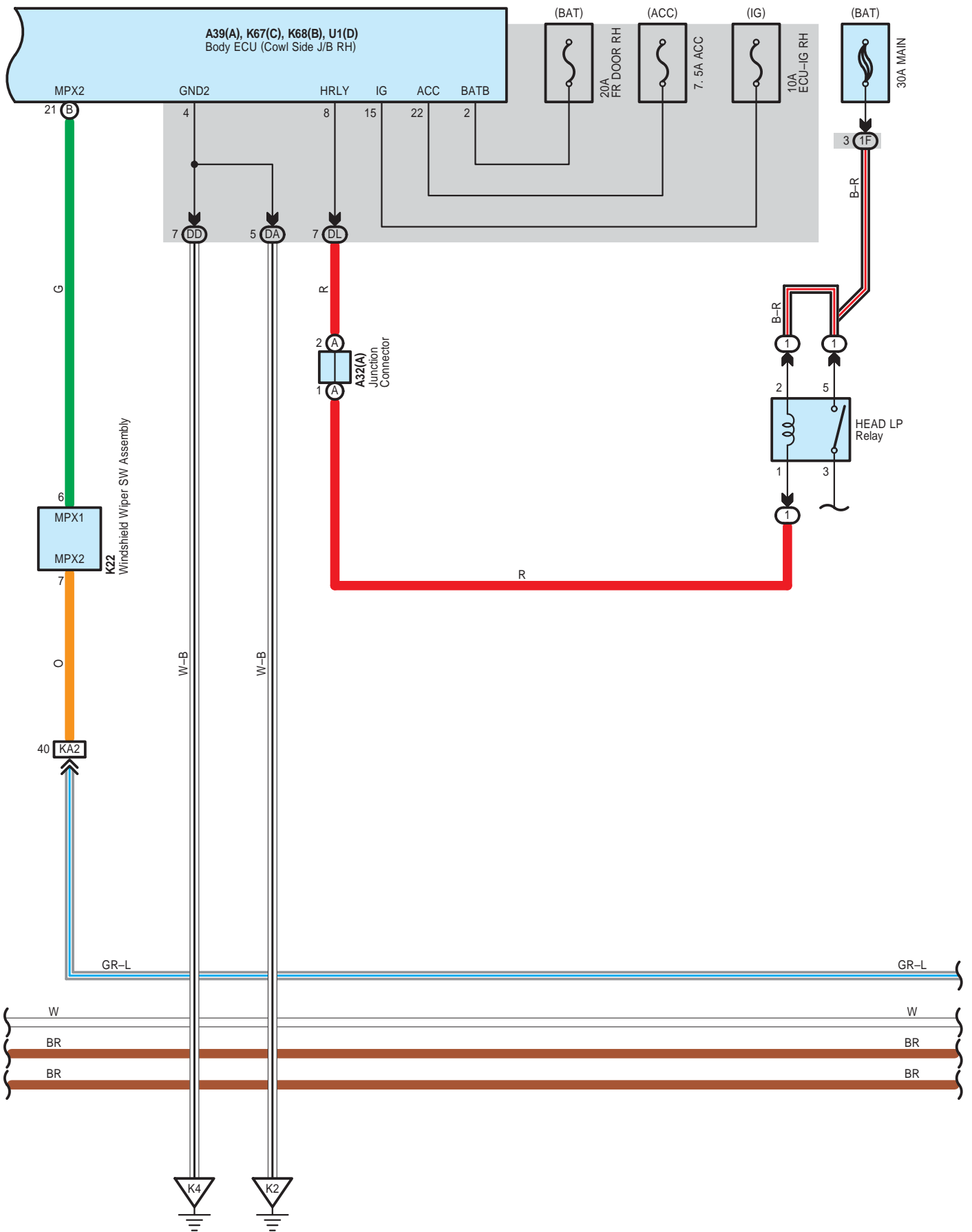
# Theft Deterrent

K66  
Gateway ECU

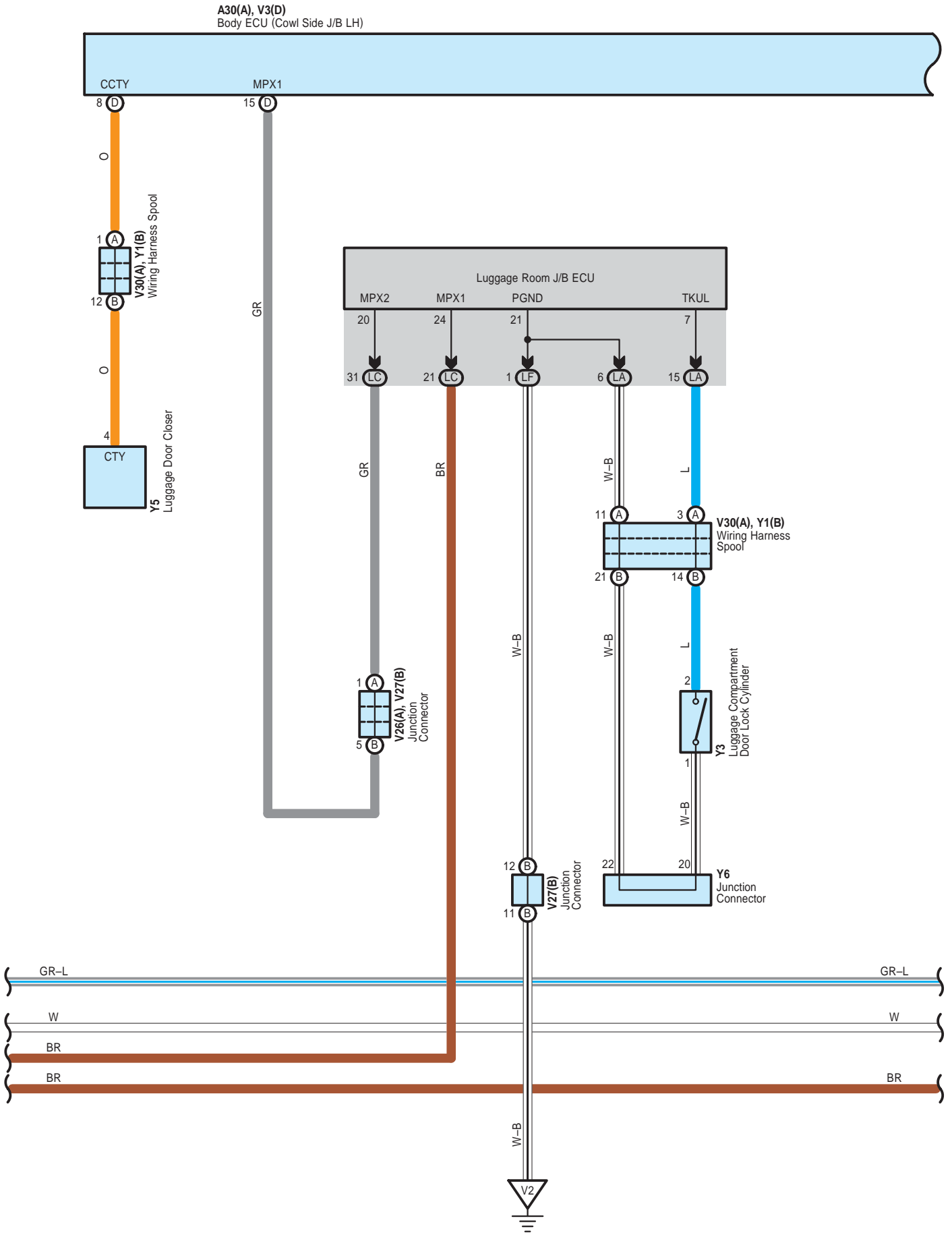


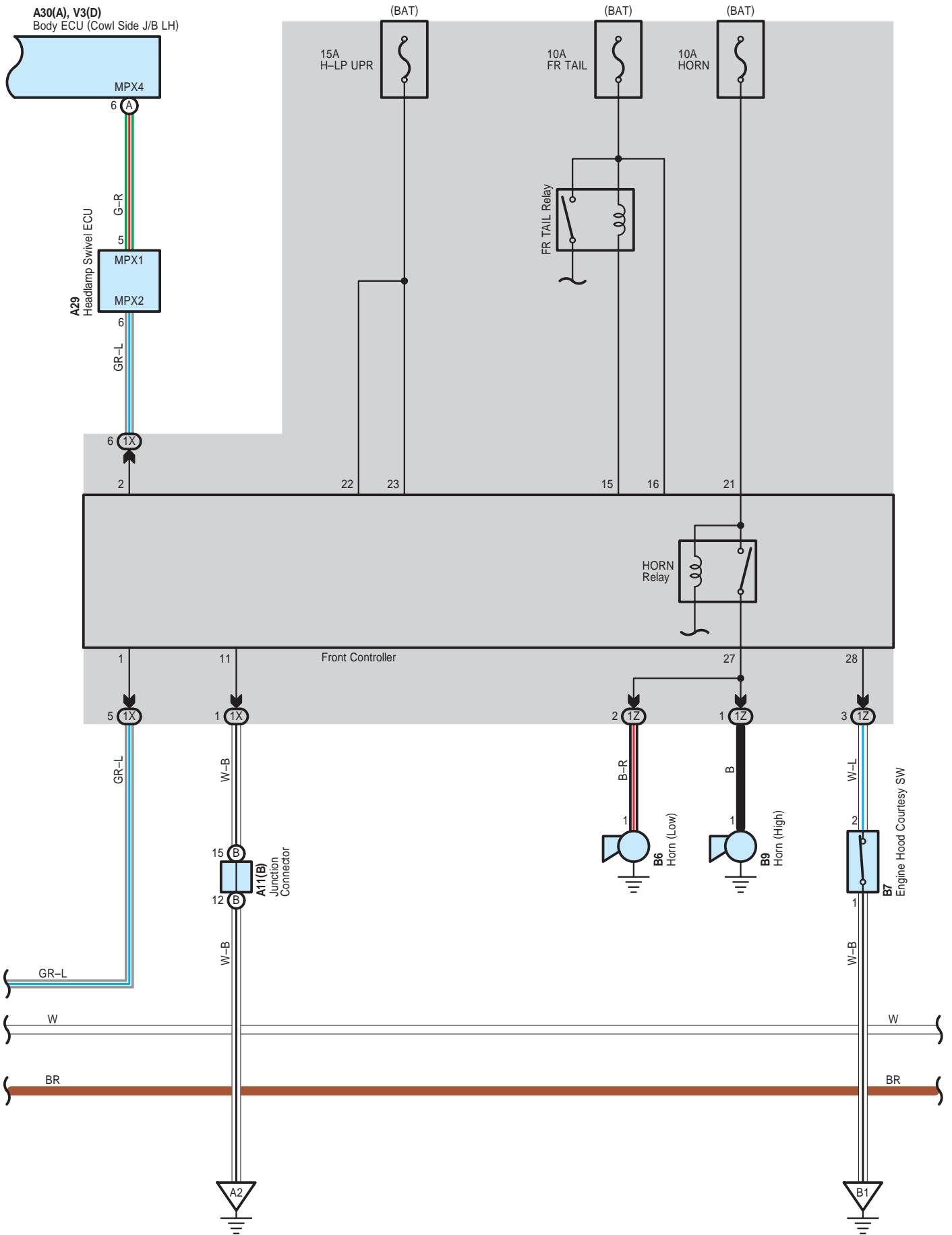






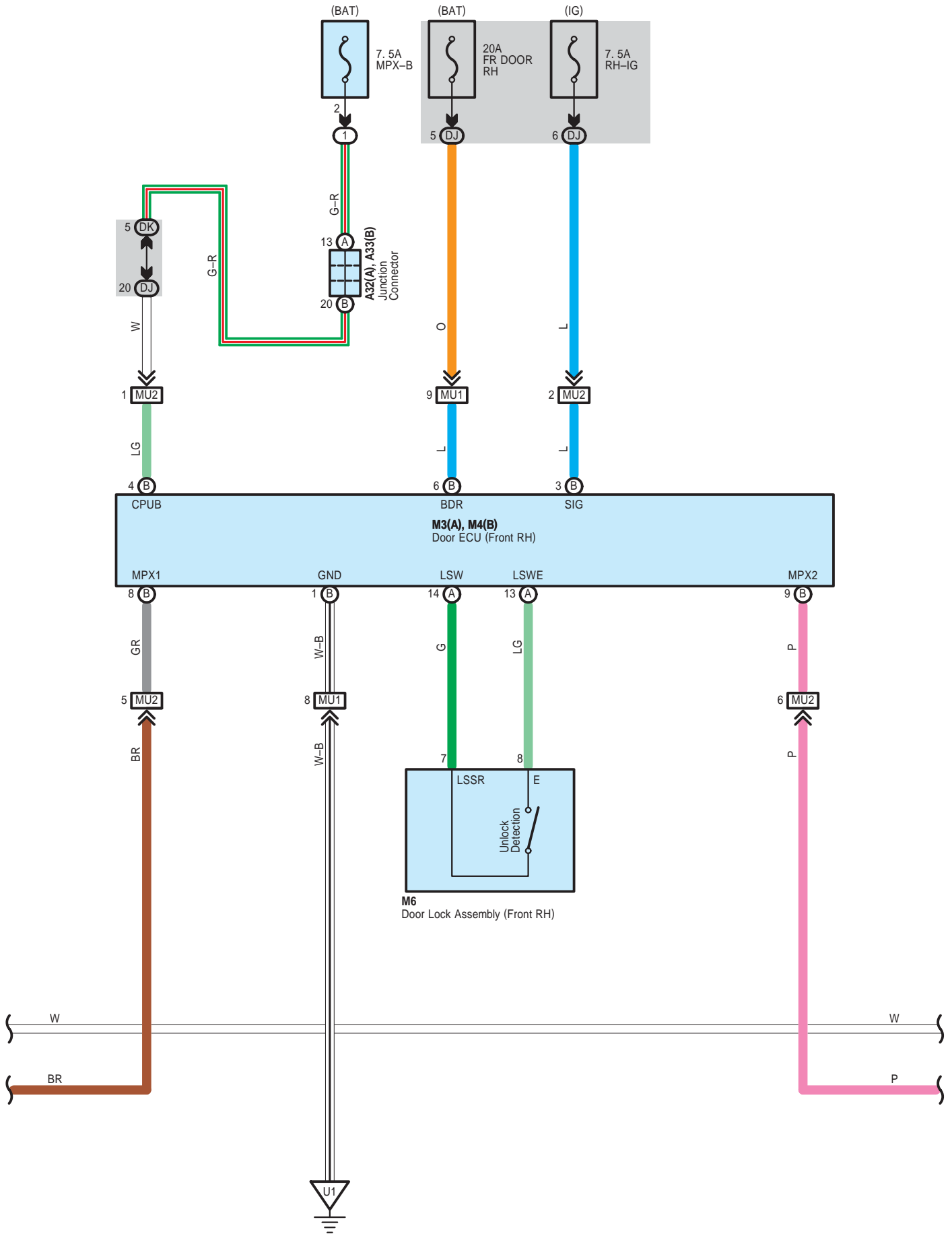
# Theft Deterrent

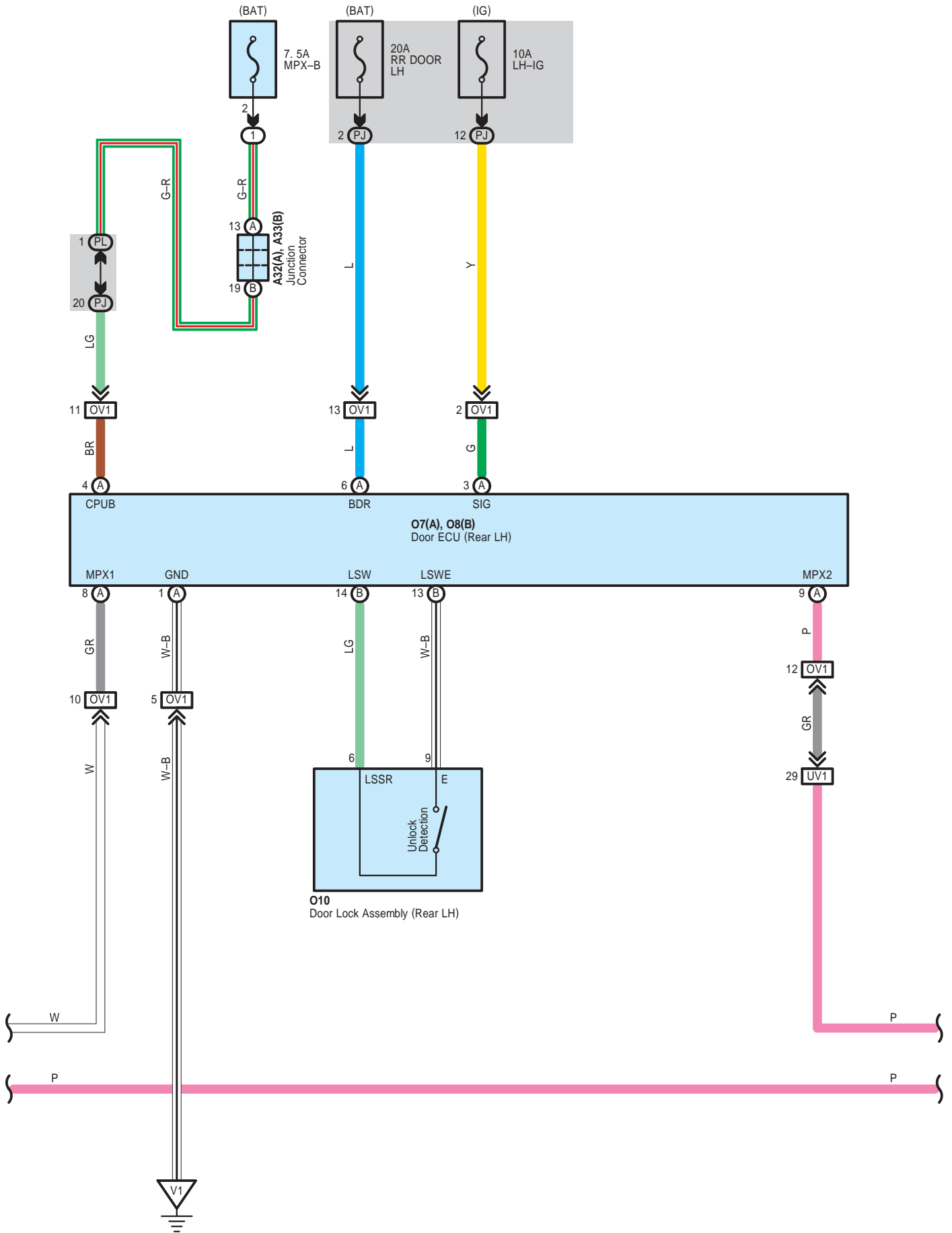




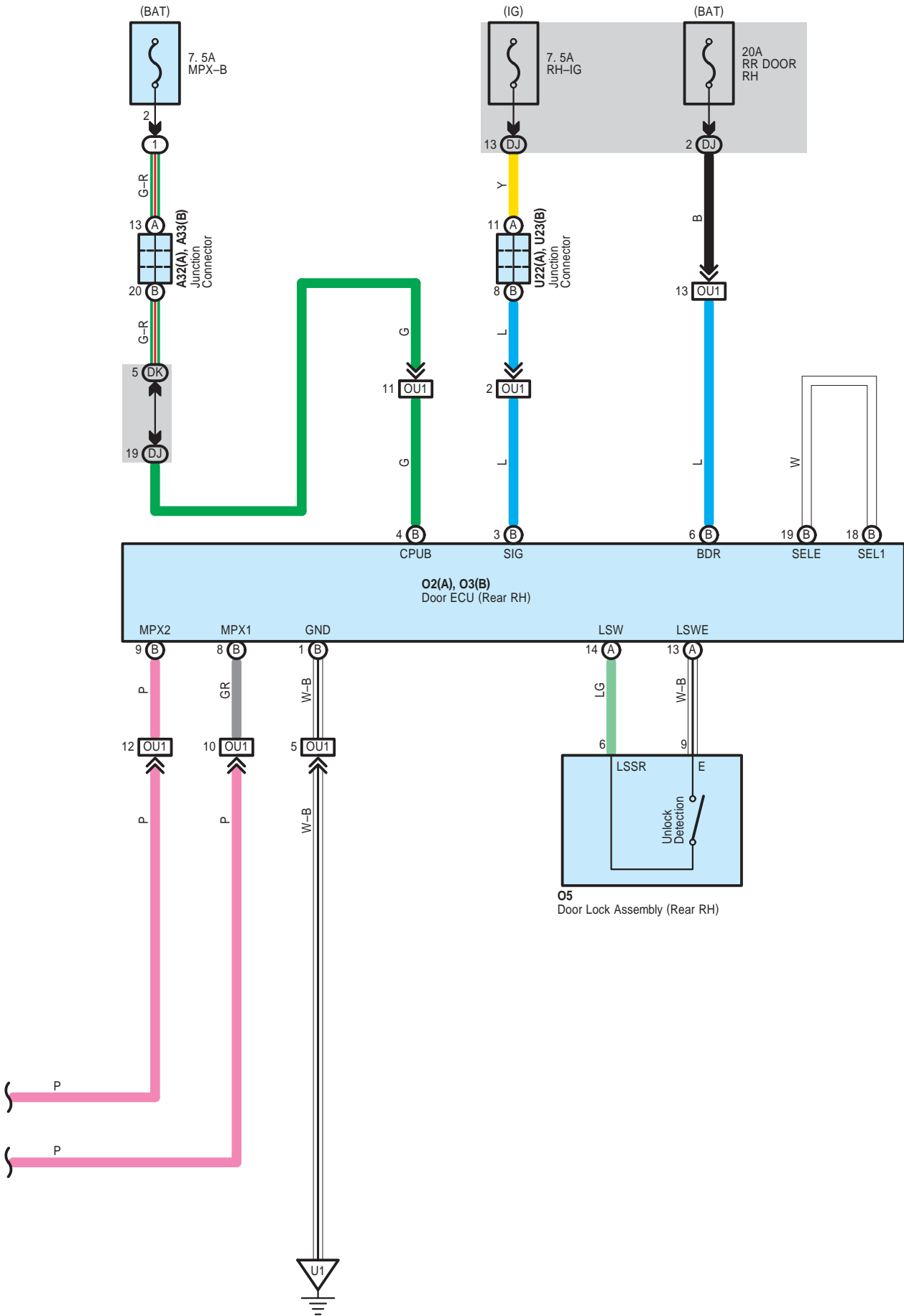


# Theft Deterrent





# Theft Deterrent



: Parts Location

Code		See Page	Code		See Page	Code		See Page
A11	B	80	K67	C	86	U22	A	90
A27		80	K68	B	86	U23	B	90
A29		84	K73		86	U25		90
A30	A	84	M3	A	88	U28		90
A32	A	84	M4	B	88	U36		90
A33	B	84	M6		88	U38		90
A39	A	84	M9	A	88	V3	D	87
B6		82	M10	B	88	V7		91
B7		82	M12		88	V13		91
B9		82	O2	A	88	V26	A	91
K12		85	O3	B	88	V27	B	91
K22		85	O5		88	V30	A	91
K25		85	O7	A	88	W8		92
K31		85	O8	B	88	Y1	B	92
K44		86	O10		88	Y3		92
K45		86	Q13		89	Y5		92
K46		86	U1	D	87	Y6		92
K52		86	U4		90			
K66		86	U11		90			

: Relay Blocks

Code	See Page	Relay Blocks (Relay Block Location)
1	24	Engine Room R/B No.1 (Engine Compartment Left)

# Theft Deterrent

## : Junction Block and Wire Harness Connector

Code	See Page	Junction Block and Wire Harness (Connector Location)
1F	27	Engine Room Main Wire and Engine Room J/B No.1 (Engine Compartment left)
1X	29	
1Z	29	
4D	70	Instrument Panel Wire and Center J/B RH (Right Side of the Instrument Panel Reinforcement)
4E		
4F		
4I		
4J		
4K		
5A	66	Instrument Panel Wire and Center J/B LH (Right Side of the Instrument Panel Reinforcement)
5D		
5E		
5G		
5K		
5M		
DA	55	Instrument Panel Wire and Cowl Side J/B RH (Behind the Glove Box)
DD		
DJ	56	Floor Wire and Cowl Side J/B RH (Behind the Glove Box)
DK	56	Engine Room Main Wire and Cowl Side J/B RH (Behind the Glove Box)
DL		
LA	62	Floor No.2 Wire and Luggage Room J/B (Left Side of the Quarter Panel )
LC	63	
LF		
PA	49	Instrument Panel Wire and Cowl Side J/B LH (Lower Finish Panel)
PD		
PJ	50	Floor No.2 Wire and Cowl Side J/B LH (Lower Finish Panel)
PL	50	Engine Room Main Wire and Cowl Side J/B LH (Lower Finish Panel)

## : Connector Joining Wire Harness and Wire Harness

Code	See Page	Joining Wire Harness and Wire Harness (Connector Location)
KA2	97	Instrument Panel Wire and Engine Room Main Wire (Left Kick Panel)
KU2	97	Instrument Panel Wire and Floor No.1 Wire (Right Kick Panel)
KV1	97	Instrument Panel Wire and Floor No.2 Wire (Left Kick Panel)
KW1	97	Instrument Panel Wire and Roof Wire (Left Side of the Instrument Panel)
MQ2	98	Front Door LH Wire and Front Door LH No.2 Wire (Front Door Inner Panel LH)
MU1	97	Front Door RH Wire and Floor No.1 Wire (Right Kick Panel)
MU2		
MV1	97	Front Door LH Wire and Floor No.2 Wire (Left Kick Panel)
MV2		
OU1	98	Rear Door No.1 Wire and Floor No.1 Wire (Right Center Pillar)
OV1	98	Rear Door No.2 Wire and Floor No.2 Wire (Left Center Pillar)
UV1	98	Floor No.1 Wire and Floor No.2 Wire (Center of the Rear Floor Partition Panel)



**: Ground Points**

Code	See Page	Ground Points Location
A2	96	Front Left Fender Apron
B1	96	Near the Headlamp RH
K1	97	Left Kick Panel
K2	97	Left Side of the Shift Lever
K4	97	Right Kick Panel
U1	98	Under the Front Passenger's Seat
U2	98	Right Side of the Rear Floor Partition Panel
V1	98	Under the Driver's Seat
V2	98	Roof Side Inner Panel LH