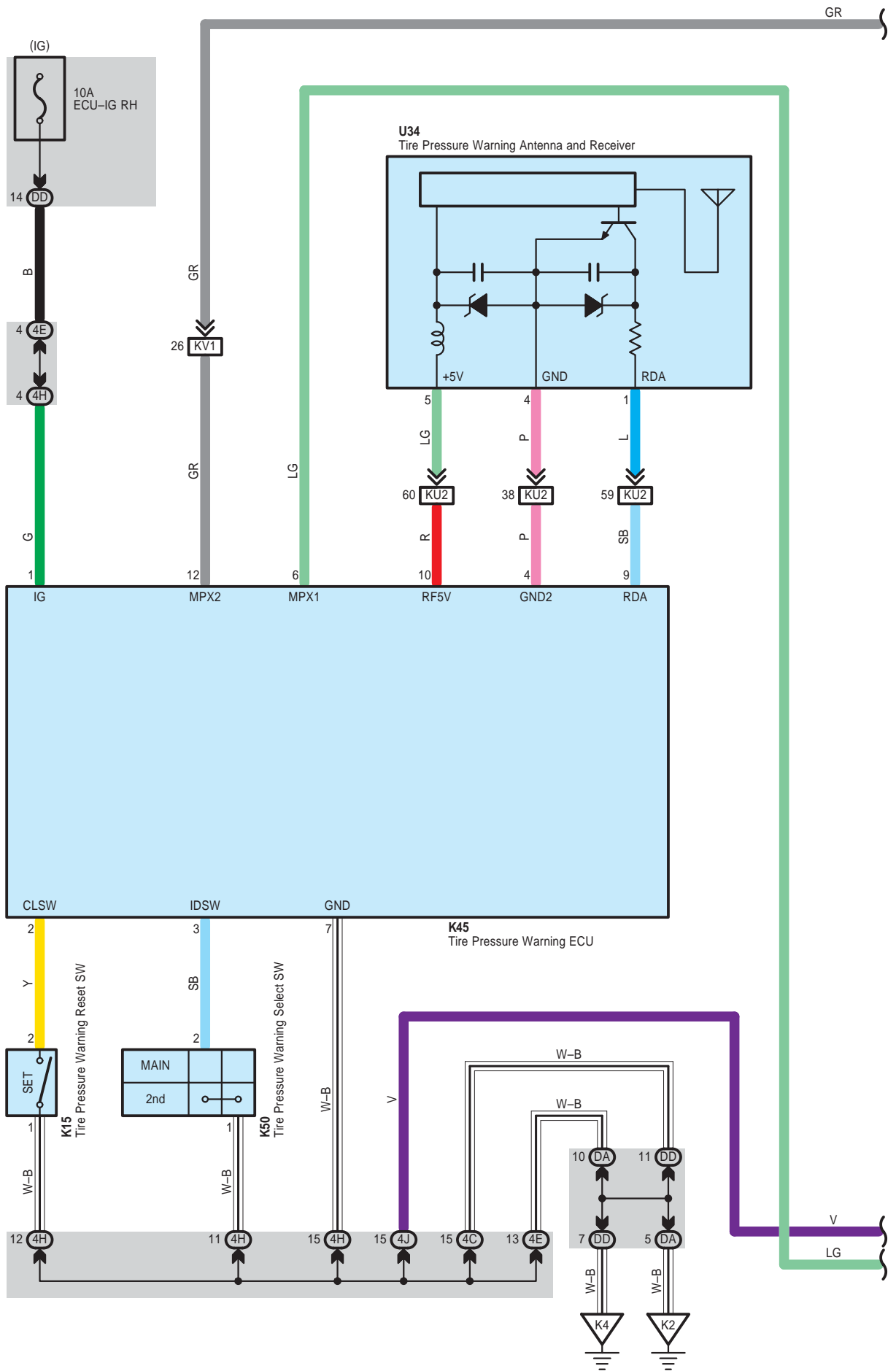
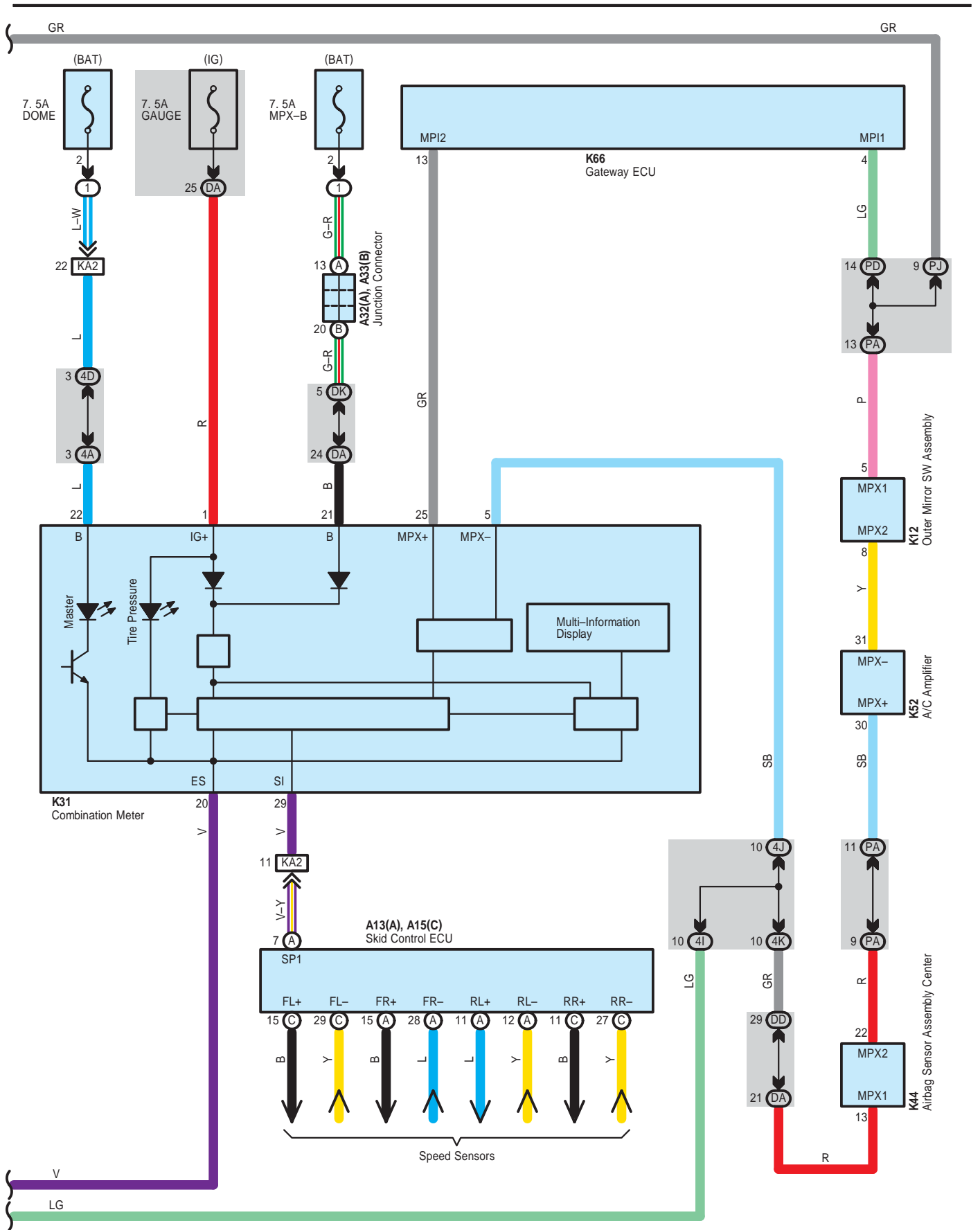


# Tire Pressure Warning System





LEXUS GS 450h (EM02D0U)

# Tire Pressure Warning System

## System Outline

- \* In the tire pressure warning system, the warning light illuminates to alert the driver about the low tire pressure when the vehicle continues driving with one of the four tires under such low pressure to cause possible driving disturbance.
- \* The air pressure sensors installed in the wheels measure air pressure in the tires directly.

## ○ : Parts Location

Code		See Page	Code	See Page	Code	See Page
A13	A	80	K15	85	K52	86
A15	C	80	K31	85	K66	86
A32	A	84	K44	86	U34	90
A33	B	84	K45	86		
K12		85	K50	86		

## ○ : Relay Blocks

Code	See Page	Relay Blocks (Relay Block Location)
1	24	Engine Room R/B No.1 (Engine Compartment Left)

## ○ : Junction Block and Wire Harness Connector

Code	See Page	Junction Block and Wire Harness (Connector Location)
4A	70	Instrument Panel Wire and Center J/B RH (Right Side of the Instrument Panel Reinforcement)
4C		
4D		
4E		
4H		
4I		
4J		
4K		
DA	55	Instrument Panel Wire and Cowl Side J/B RH (Behind the Glove Box)
DD	56	Engine Room Main Wire and Cowl Side J/B RH (Behind the Glove Box)
DK	49	Instrument Panel Wire and Cowl Side J/B LH (Lower Finish Panel)
PA		
PD	50	Floor No.2 Wire and Cowl Side J/B LH (Lower Finish Panel)
PJ		

## □ : Connector Joining Wire Harness and Wire Harness

Code	See Page	Joining Wire Harness and Wire Harness (Connector Location)
KA2	97	Instrument Panel Wire and Engine Room Main Wire (Left Kick Panel)
KU2	97	Instrument Panel Wire and Floor No.1 Wire (Right Kick Panel)
KV1	97	Instrument Panel Wire and Floor No.2 Wire (Left Kick Panel)

## ▽ : Ground Points

Code	See Page	Ground Points Location
K2	97	Left Side of the Shift Lever
K4	97	Right Kick Panel

