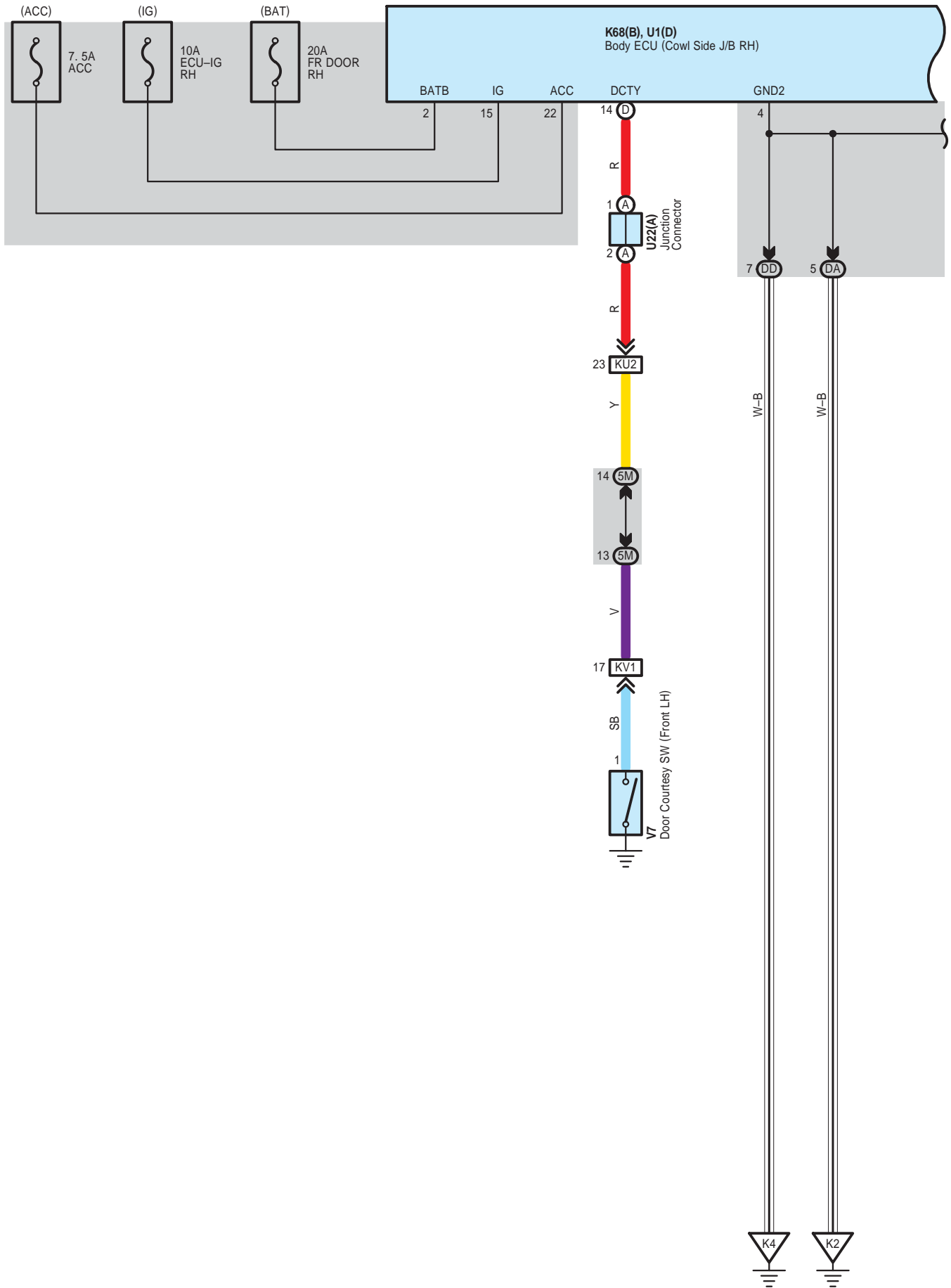
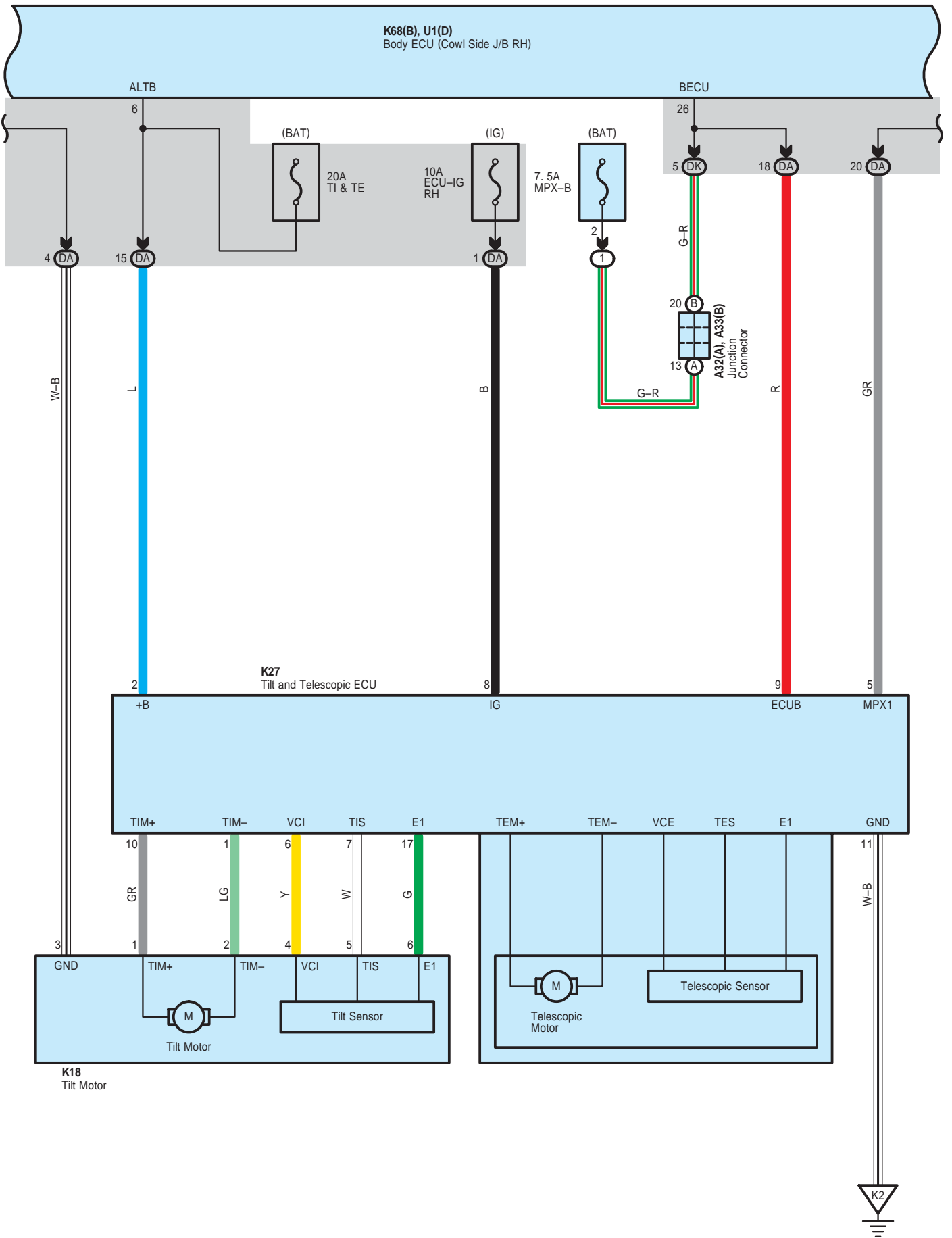
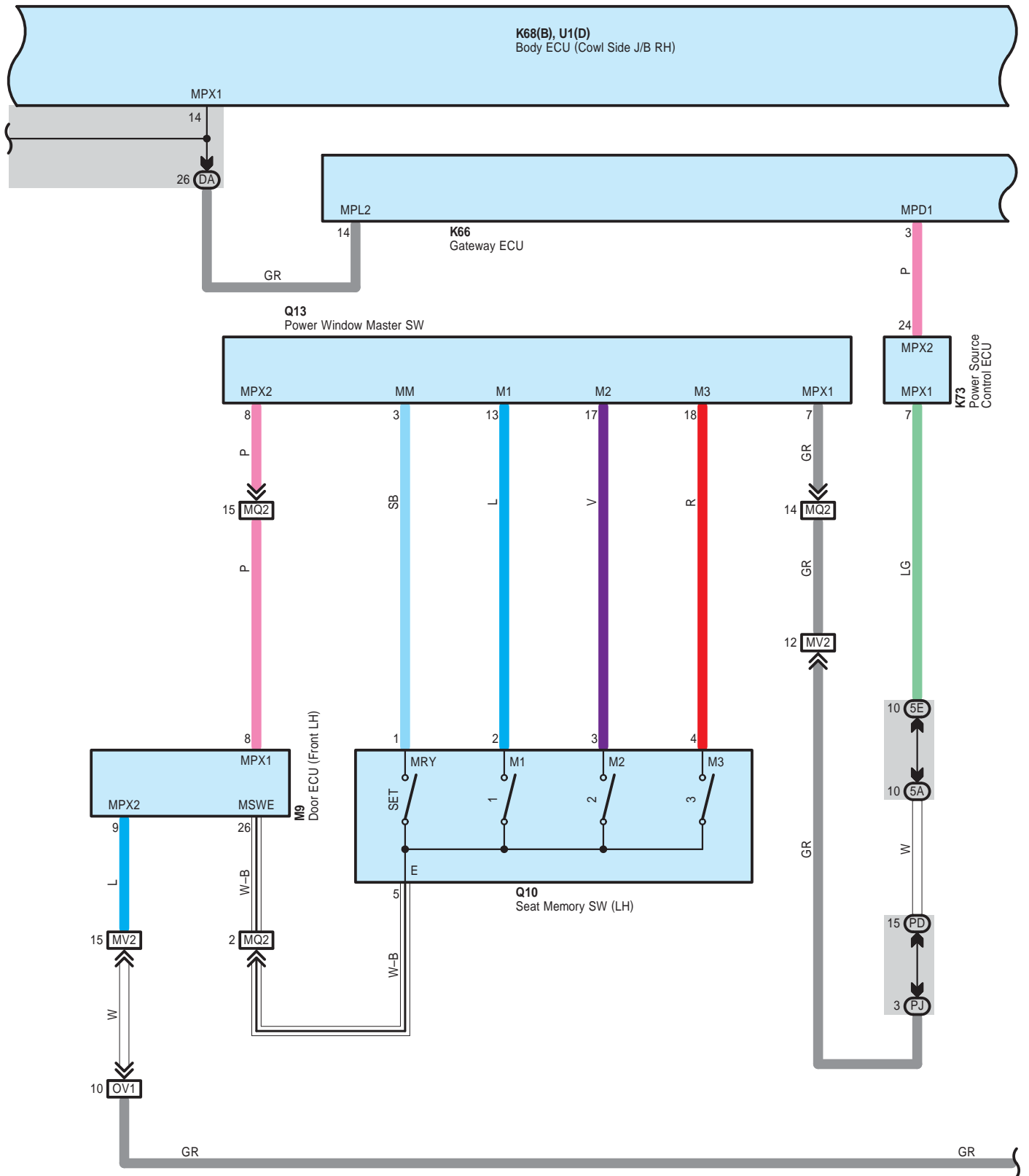


Power Tilt and Power Telescopic





Power Tilt and Power Telescopic



K68(B), U1(D)
Body ECU (Cowl Side J/B RH)

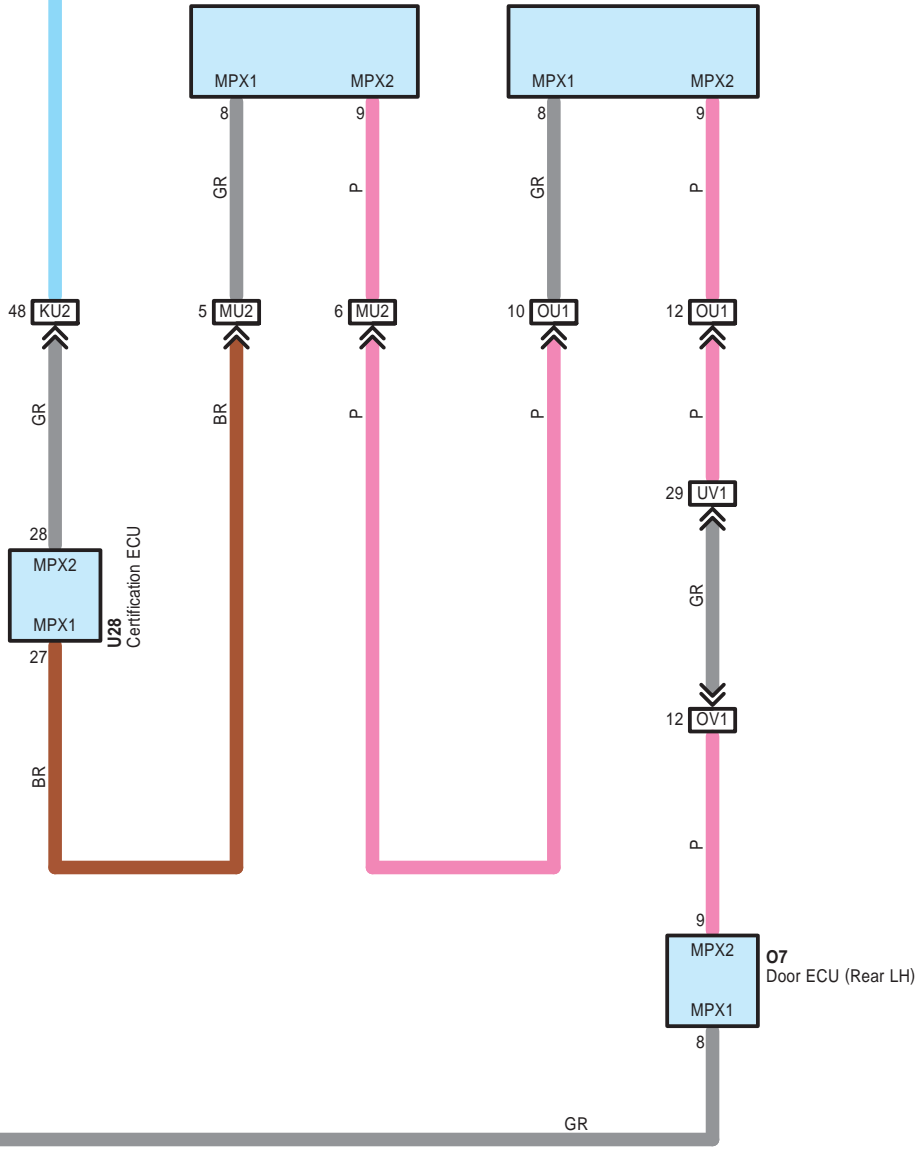
MPD2

K66
Gateway ECU

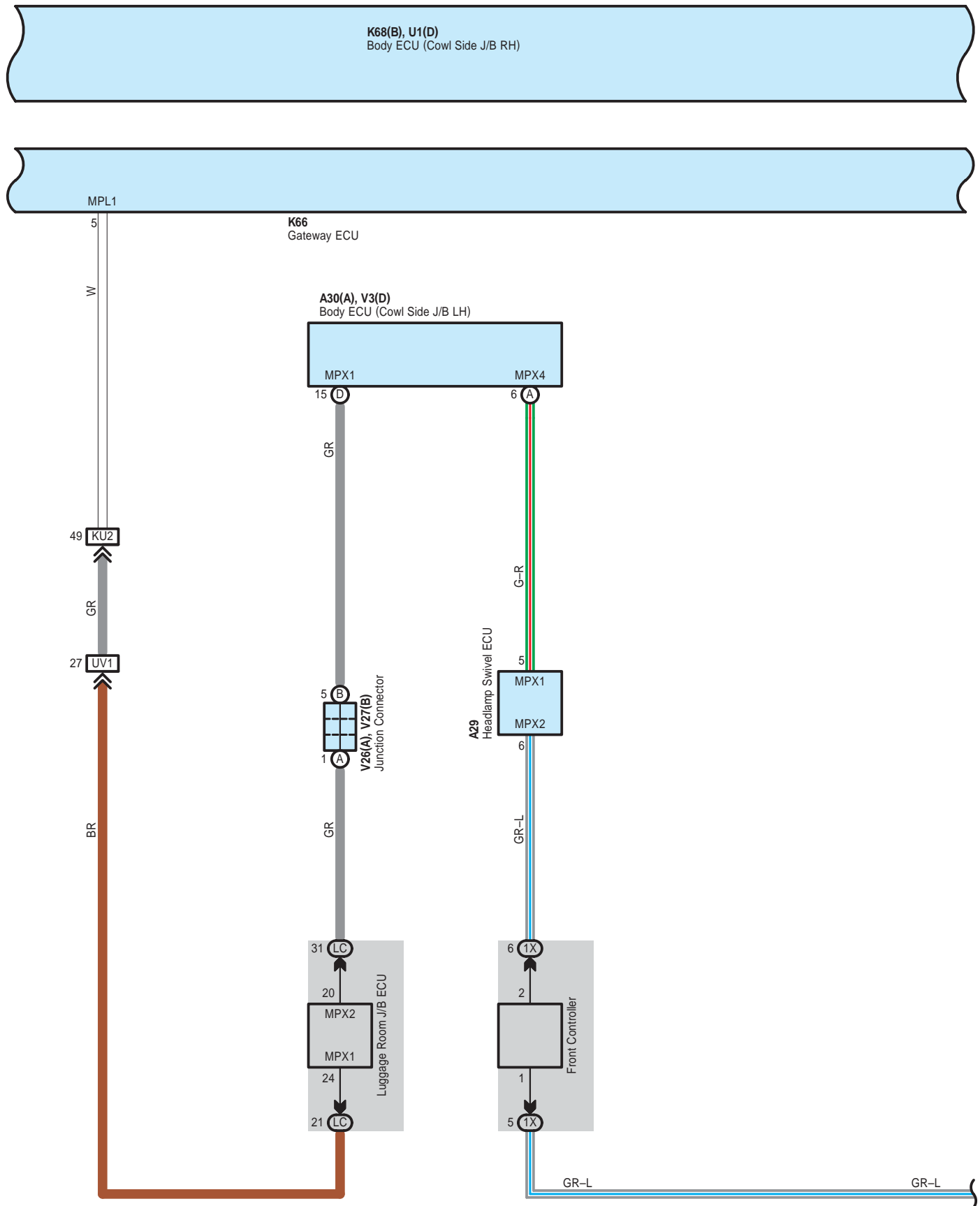
12
SB

M4
Door ECU (Front RH)

O3
Door ECU (Rear RH)



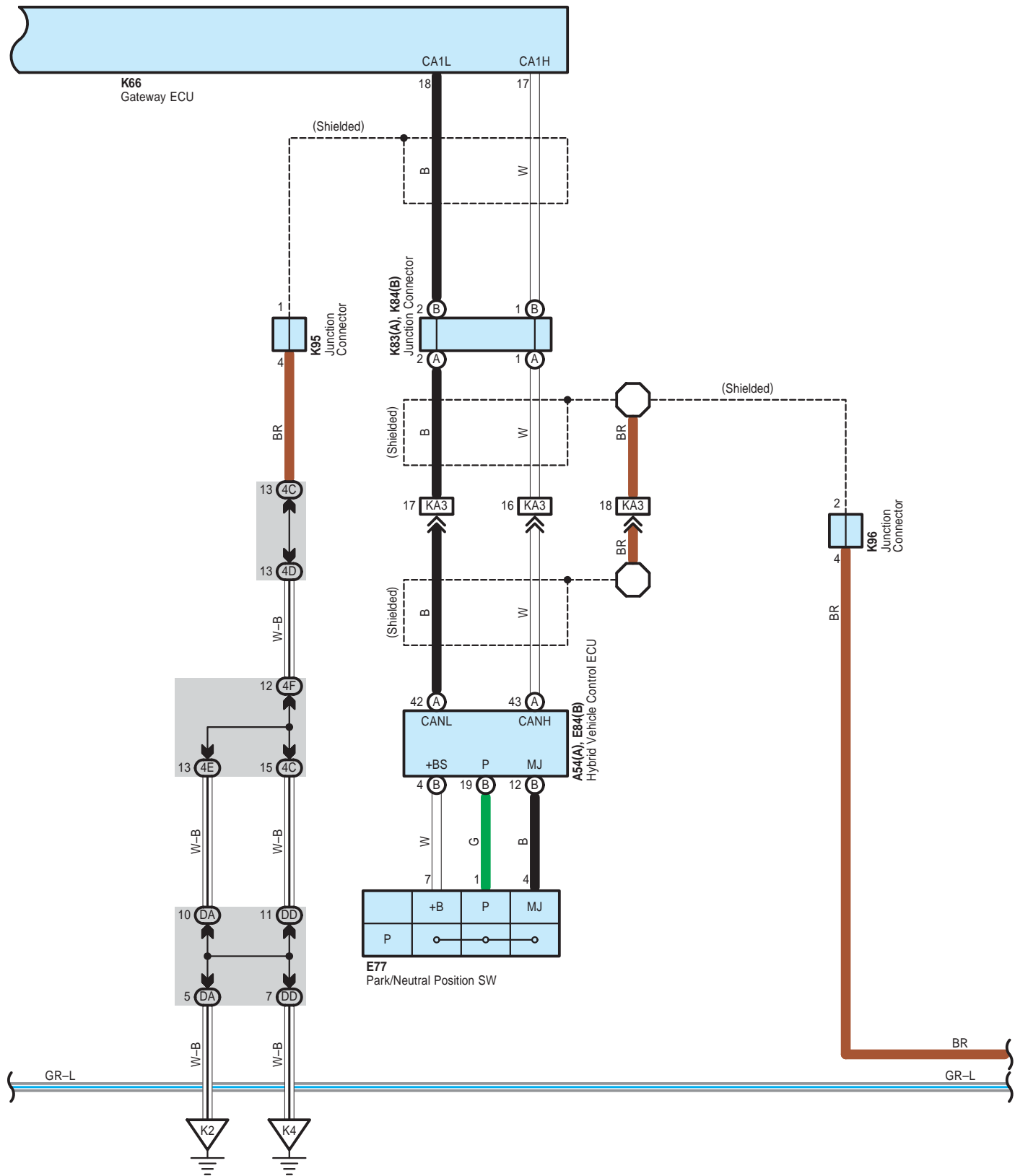
Power Tilt and Power Telescopic



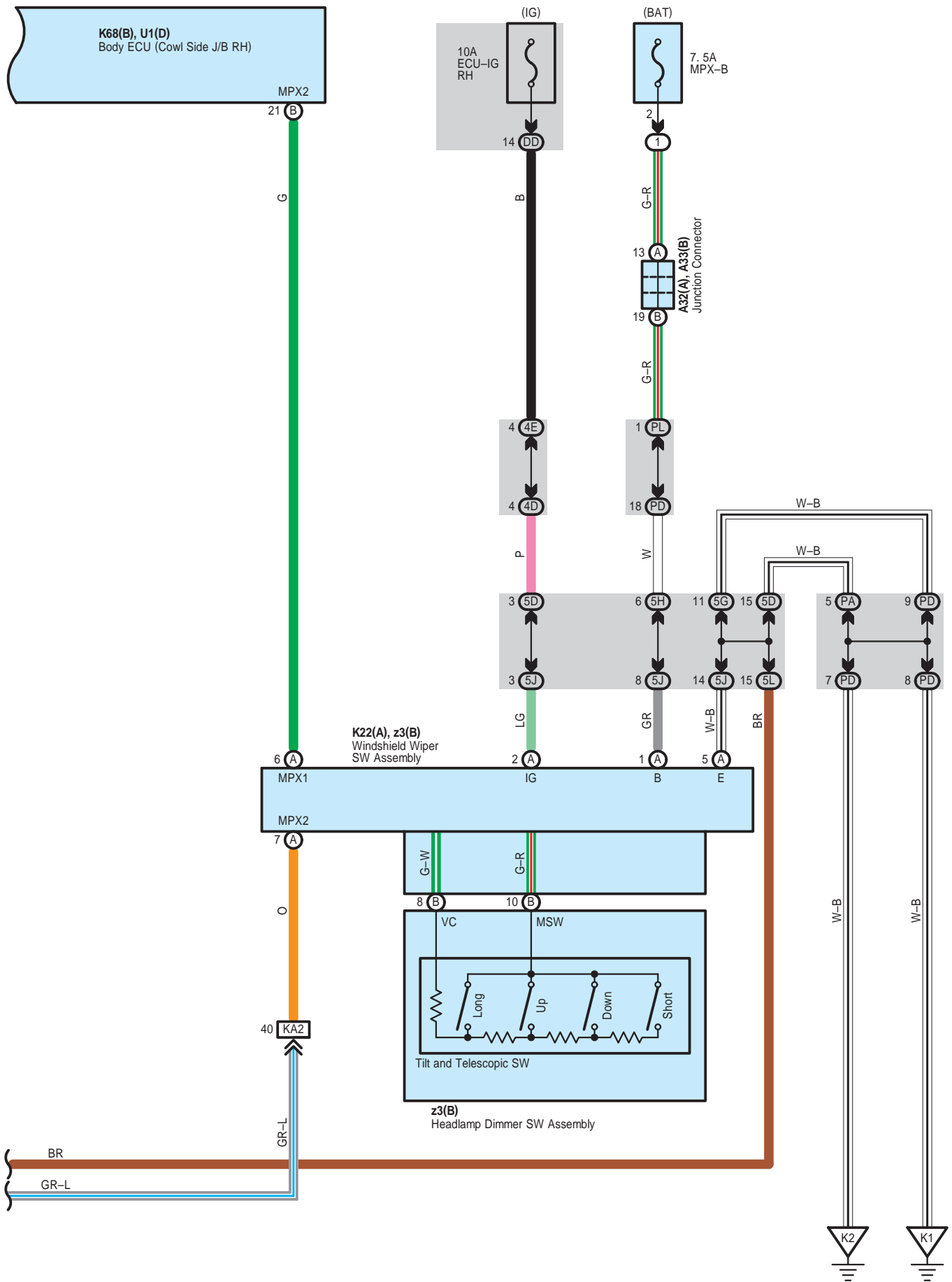
K68(B), U1(D)
Body ECU (Cowl Side J/B RH)

K66
Gateway ECU

CA1L CA1H



Power Tilt and Power Telescopic



: Parts Location

Code	See Page	Code	See Page	Code	See Page			
A29	84	K68	B	86	Q13	89		
A30	A	84	K73	86	U1	D	87	
A32	A	84	K83	A	78, 86	U22	A	90
A33	B	84	K84	B	78, 86	U28	90	
A54	A	80	K95	86	V3	D	87	
E77	81	K96	86	V7	91			
E84	B	81	M4	88	V26	A	91	
K18	85	M9	88	V27	B	91		
K22	A	85	O3	88	z3	B	87	
K27	85	O7	88					
K66	86	Q10	89					

: Relay Blocks

Code	See Page	Relay Blocks (Relay Block Location)
1	24	Engine Room R/B No.1 (Engine Compartment Left)

: Junction Block and Wire Harness Connector

Code	See Page	Junction Block and Wire Harness (Connector Location)
1X	29	Engine Room Main Wire and Engine Room J/B No.1 (Engine Compartment left)
4C	70	Instrument Panel Wire and Center J/B RH (Right Side of the Instrument Panel Reinforcement)
4D		
4E		
4F		
5A		
5D	66	Instrument Panel Wire and Center J/B LH (Right Side of the Instrument Panel Reinforcement)
5E		
5G		
5H		
5J		
5L		
5M		
DA	55	Instrument Panel Wire and Cowl Side J/B RH (Behind the Glove Box)
DD		
DK	56	Engine Room Main Wire and Cowl Side J/B RH (Behind the Glove Box)
LC	63	Floor No.2 Wire and Luggage Room J/B (Left Side of the Quarter Panel)
PA	49	Instrument Panel Wire and Cowl Side J/B LH (Lower Finish Panel)
PD		
PJ	50	Floor No.2 Wire and Cowl Side J/B LH (Lower Finish Panel)
PL	50	Engine Room Main Wire and Cowl Side J/B LH (Lower Finish Panel)

: Connector Joining Wire Harness and Wire Harness

Code	See Page	Joining Wire Harness and Wire Harness (Connector Location)
KA2	97	Instrument Panel Wire and Engine Room Main Wire (Left Kick Panel)
KA3	97	Instrument Panel Wire and Engine Room Main Wire (Right Kick Panel)
KU2	97	Instrument Panel Wire and Floor No.1 Wire (Right Kick Panel)
KV1	97	Instrument Panel Wire and Floor No.2 Wire (Left Kick Panel)
MQ2	98	Front Door LH Wire and Front Door LH No.2 Wire (Front Door Inner Panel LH)
MU2	97	Front Door RH Wire and Floor No.1 Wire (Right Kick Panel)
MV2	97	Front Door LH Wire and Floor No.2 Wire (Left Kick Panel)
OU1	98	Rear Door No.1 Wire and Floor No.1 Wire (Right Center Pillar)
OV1	98	Rear Door No.2 Wire and Floor No.2 Wire (Left Center Pillar)
UV1	98	Floor No.1 Wire and Floor No.2 Wire (Center of the Rear Floor Partition Panel)

Power Tilt and Power Telescopic



: Ground Points

Code	See Page	Ground Points Location
K1	97	Left Kick Panel
K2	97	Left Side of the Shift Lever
K4	97	Right Kick Panel

