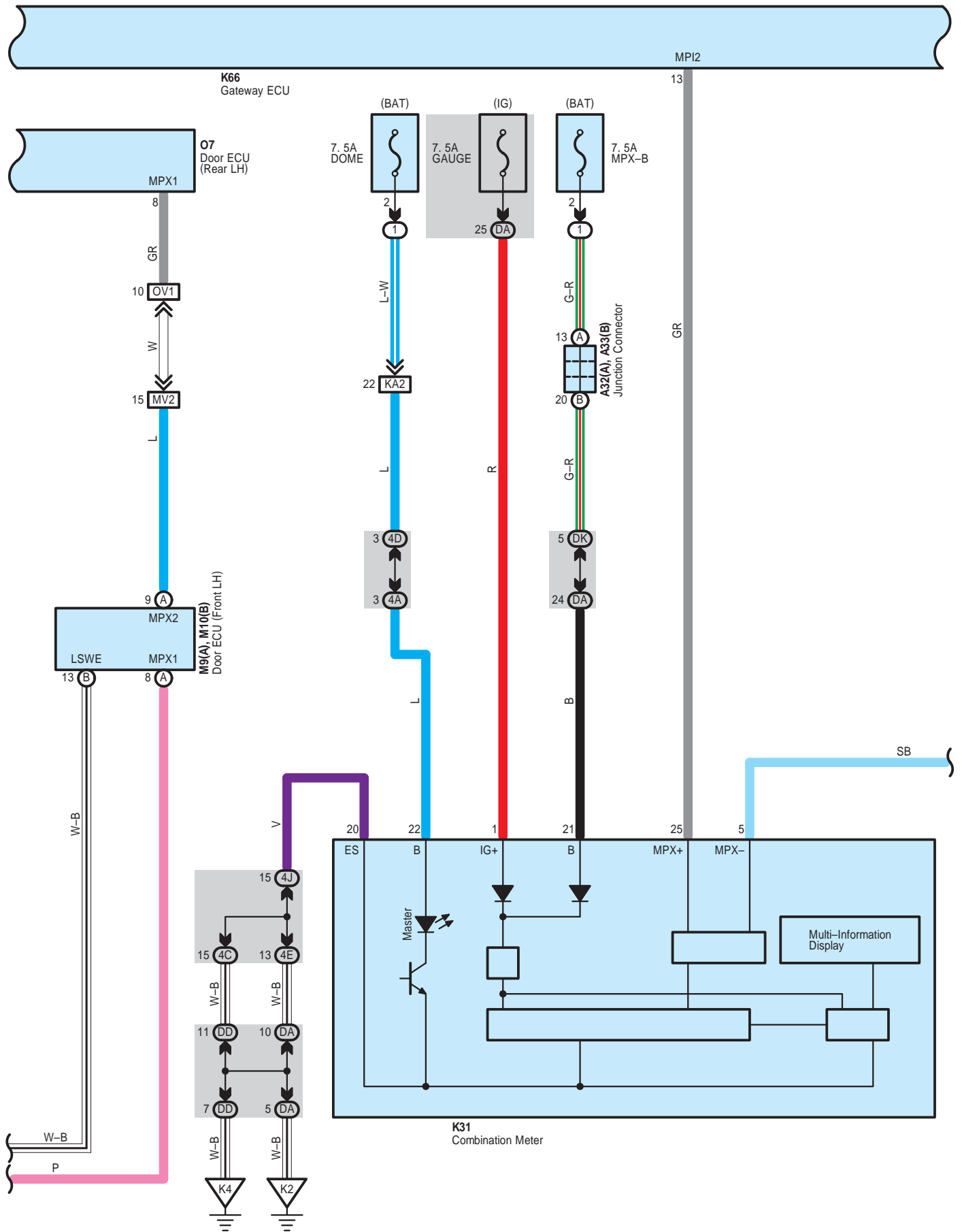
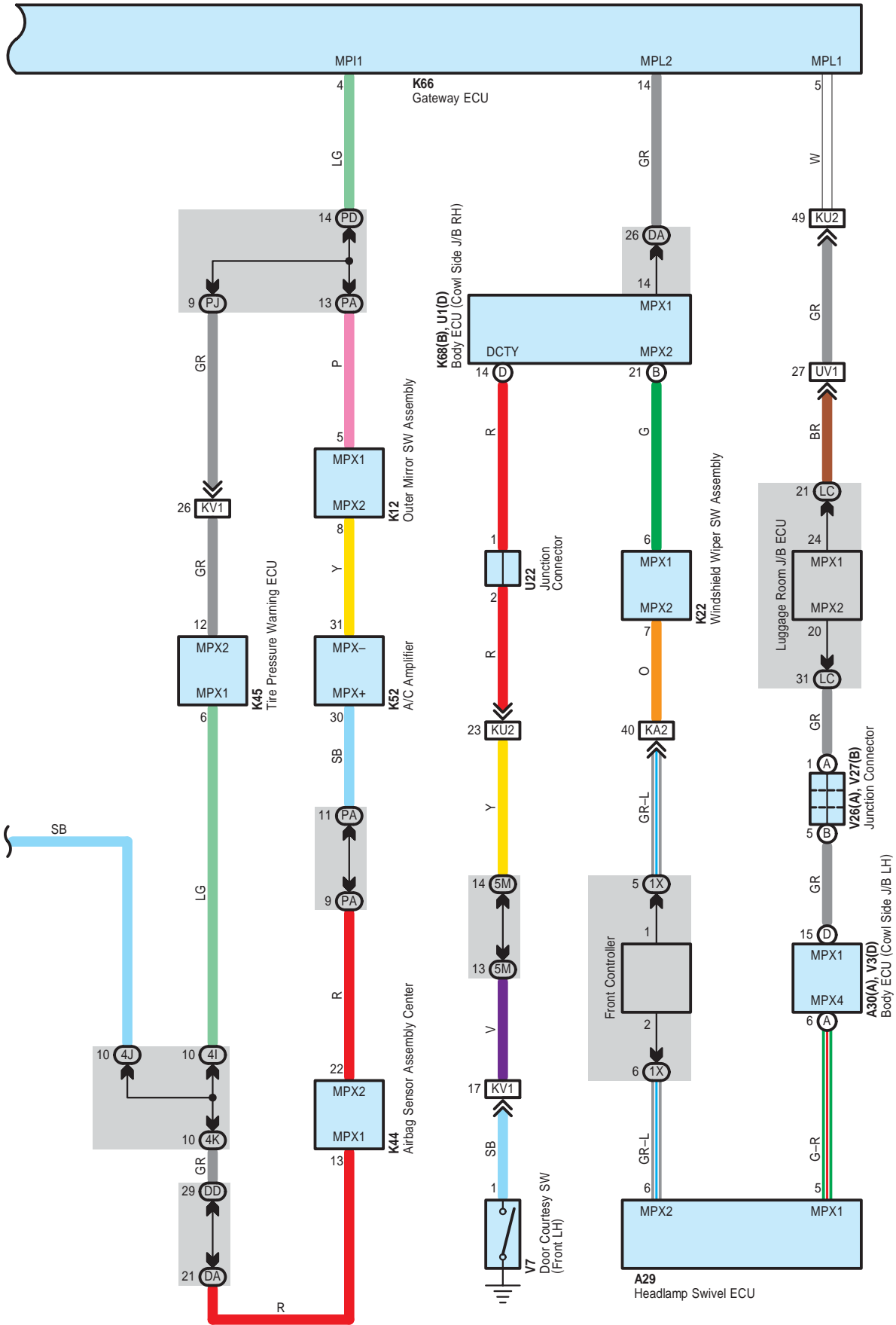


Sliding Roof





LEXUS GS 450h (EM02D0U)

Sliding Roof

○ : Parts Location

Code	See Page	Code	See Page	Code	See Page
A29	84	K66	86	U1 D	87
A30 A	84	K68 B	86	U22	90
A32 A	84	K73	86	U28	90
A33 B	84	M4	88	V3 D	87
K12	85	M9 A	88	V7	91
K22	85	M10 B	88	V26 A	91
K31	85	M12	88	V27 B	91
K44	86	O3	88	W6 A	92
K45	86	O7	88	W7	92
K52	86	Q13	89	W8 B	92

○ : Relay Blocks

Code	See Page	Relay Blocks (Relay Block Location)
1	24	Engine Room R/B No.1 (Engine Compartment Left)

○ : Junction Block and Wire Harness Connector

Code	See Page	Junction Block and Wire Harness (Connector Location)
1X	29	Engine Room Main Wire and Engine Room J/B No.1 (Engine Compartment left)
4A	70	Instrument Panel Wire and Center J/B RH (Right Side of the Instrument Panel Reinforcement)
4C		
4D		
4E		
4H		
4I		
4J		
4K	66	Instrument Panel Wire and Center J/B LH (Right Side of the Instrument Panel Reinforcement)
5A		
5D		
5E		
5G		
5H		
5M	55	Instrument Panel Wire and Cowl Side J/B RH (Behind the Glove Box)
DA		
DD	56	Engine Room Main Wire and Cowl Side J/B RH (Behind the Glove Box)
DK	63	Floor No.2 Wire and Luggage Room J/B (Left Side of the Quarter Panel)
LC	49	Instrument Panel Wire and Cowl Side J/B LH (Lower Finish Panel)
PA		
PD		
PJ	50	Floor No.2 Wire and Cowl Side J/B LH (Lower Finish Panel)

 : Connector Joining Wire Harness and Wire Harness

Code	See Page	Joining Wire Harness and Wire Harness (Connector Location)
KA2	97	Instrument Panel Wire and Engine Room Main Wire (Left Kick Panel)
KU2	97	Instrument Panel Wire and Floor No.1 Wire (Right Kick Panel)
KV1	97	Instrument Panel Wire and Floor No.2 Wire (Left Kick Panel)
KW1	97	Instrument Panel Wire and Roof Wire (Left Side of the Instrument Panel)
KW2		
MQ2	98	Front Door LH Wire and Front Door LH No.2 Wire (Front Door Inner Panel LH)
MU2	97	Front Door RH Wire and Floor No.1 Wire (Right Kick Panel)
MV2	97	Front Door LH Wire and Floor No.2 Wire (Left Kick Panel)
OU1	98	Rear Door No.1 Wire and Floor No.1 Wire (Right Center Pillar)
OV1	98	Rear Door No.2 Wire and Floor No.2 Wire (Left Center Pillar)
UV1	98	Floor No.1 Wire and Floor No.2 Wire (Center of the Rear Floor Partition Panel)

 : Ground Points

Code	See Page	Ground Points Location
K1	97	Left Kick Panel
K2	97	Left Side of the Shift Lever
K4	97	Right Kick Panel