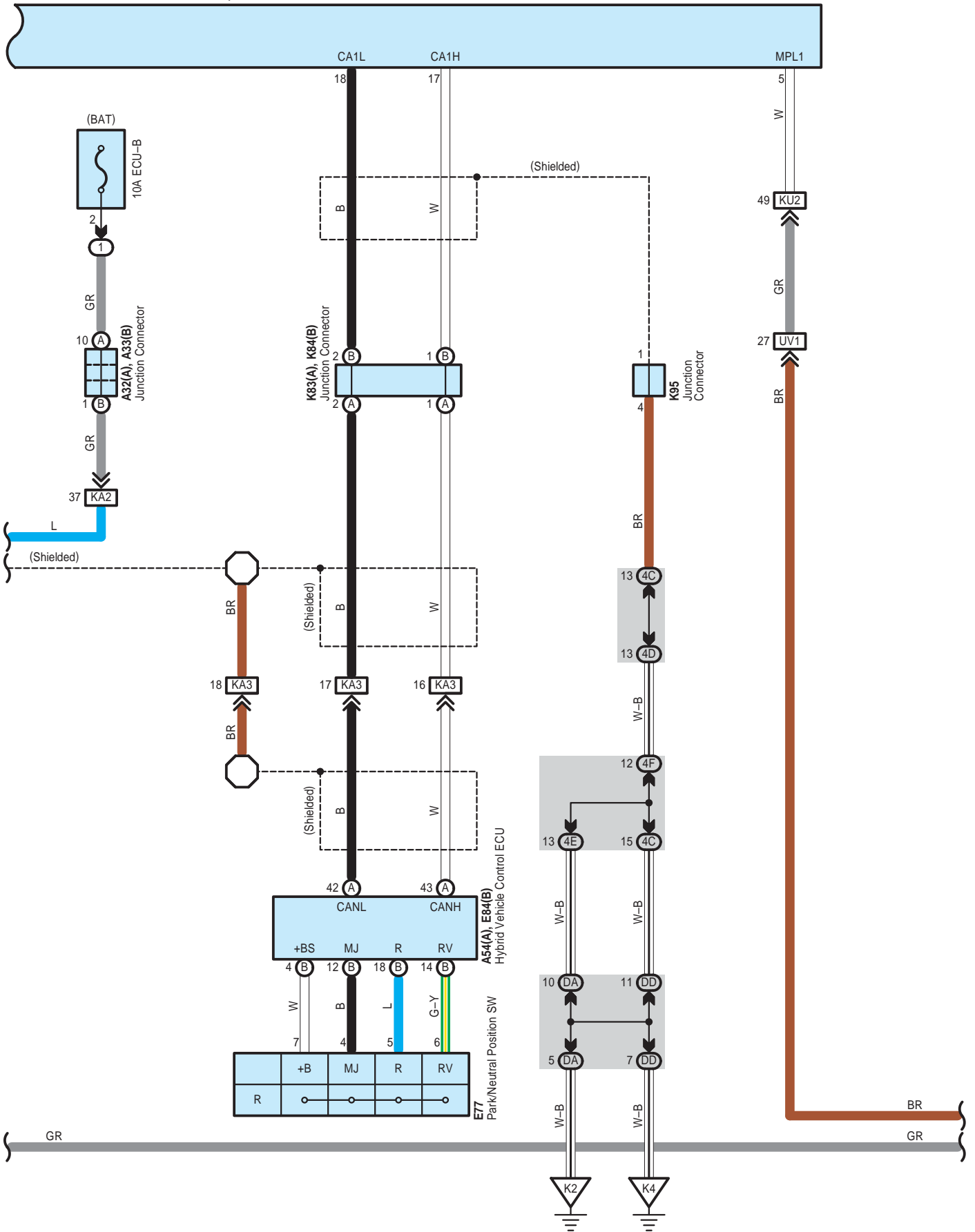
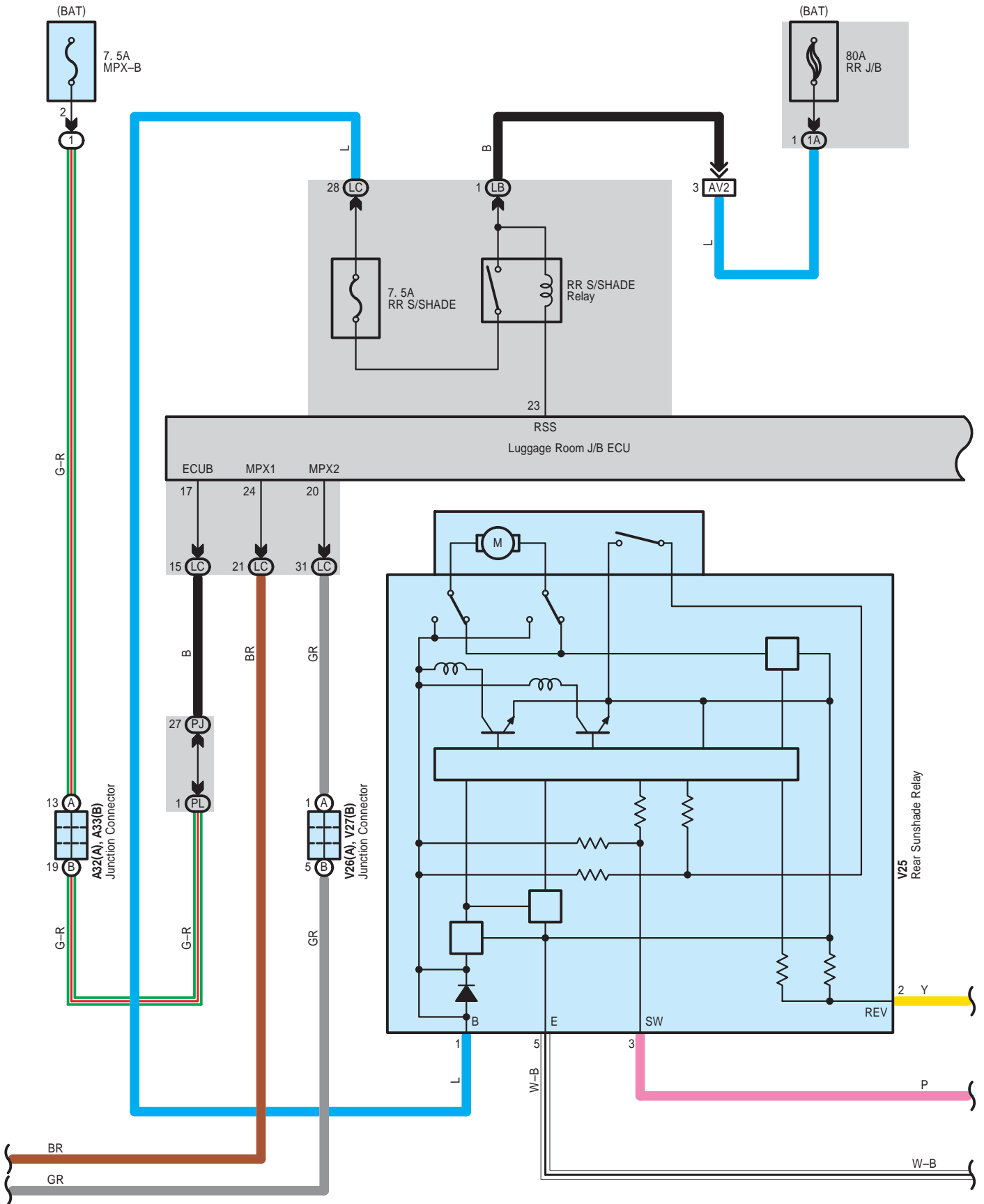
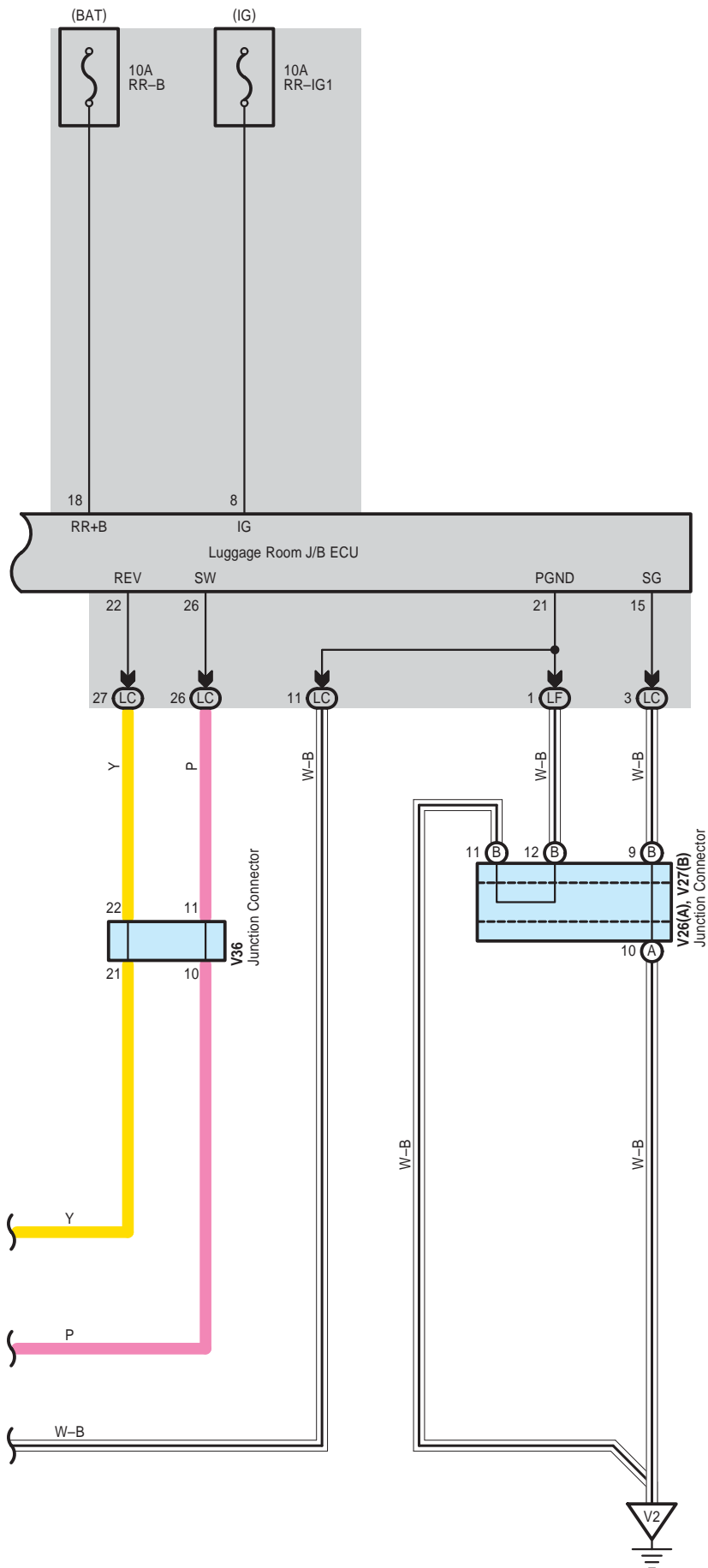


K66
Gateway ECU



Rear Sunshade





Rear Sunshade

: Parts Location

Code	See Page	Code	See Page	Code	See Page
A29	84	K22	85	K84 B	78, 86
A30 A	84	K31	85	K95	86
A32 A	84	K44	86	K96	86
A33 B	84	K45	86	V3 D	87
A54 A	80	K52	86	V25	91
E77	81	K66	86	V26 A	91
E84 B	81	K68 B	86	V27 B	91
K12	85	K83 A	78, 86	V36	91

: Relay Blocks

Code	See Page	Relay Blocks (Relay Block Location)
1	24	Engine Room R/B No.1 (Engine Compartment Left)

: Junction Block and Wire Harness Connector

Code	See Page	Junction Block and Wire Harness (Connector Location)
1A	27	Engine Room Main Wire and Engine Room J/B No.1 (Engine Compartment left)
1X	29	
4C	70	Instrument Panel Wire and Center J/B RH (Right Side of the Instrument Panel Reinforcement)
4D		
4E		
4F		
4I		
4J		
4K		
5D	66	Instrument Panel Wire and Center J/B LH (Right Side of the Instrument Panel Reinforcement)
5G		
5K		
5L		
DA	55	Instrument Panel Wire and Cowl Side J/B RH (Behind the Glove Box)
DD		
LB	63	Floor No.2 Wire and Luggage Room J/B (Left Side of the Quarter Panel)
LC		
LF		
PA	49	Instrument Panel Wire and Cowl Side J/B LH (Lower Finish Panel)
PD		
PJ	50	Floor No.2 Wire and Cowl Side J/B LH (Lower Finish Panel)
PL	50	Engine Room Main Wire and Cowl Side J/B LH (Lower Finish Panel)

: Connector Joining Wire Harness and Wire Harness

Code	See Page	Joining Wire Harness and Wire Harness (Connector Location)
AV2	97	Engine Room Main Wire and Floor No.2 Wire (Cowl Side Panel LH)
KA2	97	Instrument Panel Wire and Engine Room Main Wire (Left Kick Panel)
KA3	97	Instrument Panel Wire and Engine Room Main Wire (Right Kick Panel)
KU2	97	Instrument Panel Wire and Floor No.1 Wire (Right Kick Panel)
KV1	97	Instrument Panel Wire and Floor No.2 Wire (Left Kick Panel)
UV1	98	Floor No.1 Wire and Floor No.2 Wire (Center of the Rear Floor Partition Panel)



: Ground Points

Code	See Page	Ground Points Location
K1	97	Left Kick Panel
K2	97	Left Side of the Shift Lever
K4	97	Right Kick Panel
V2	98	Roof Side Inner Panel LH