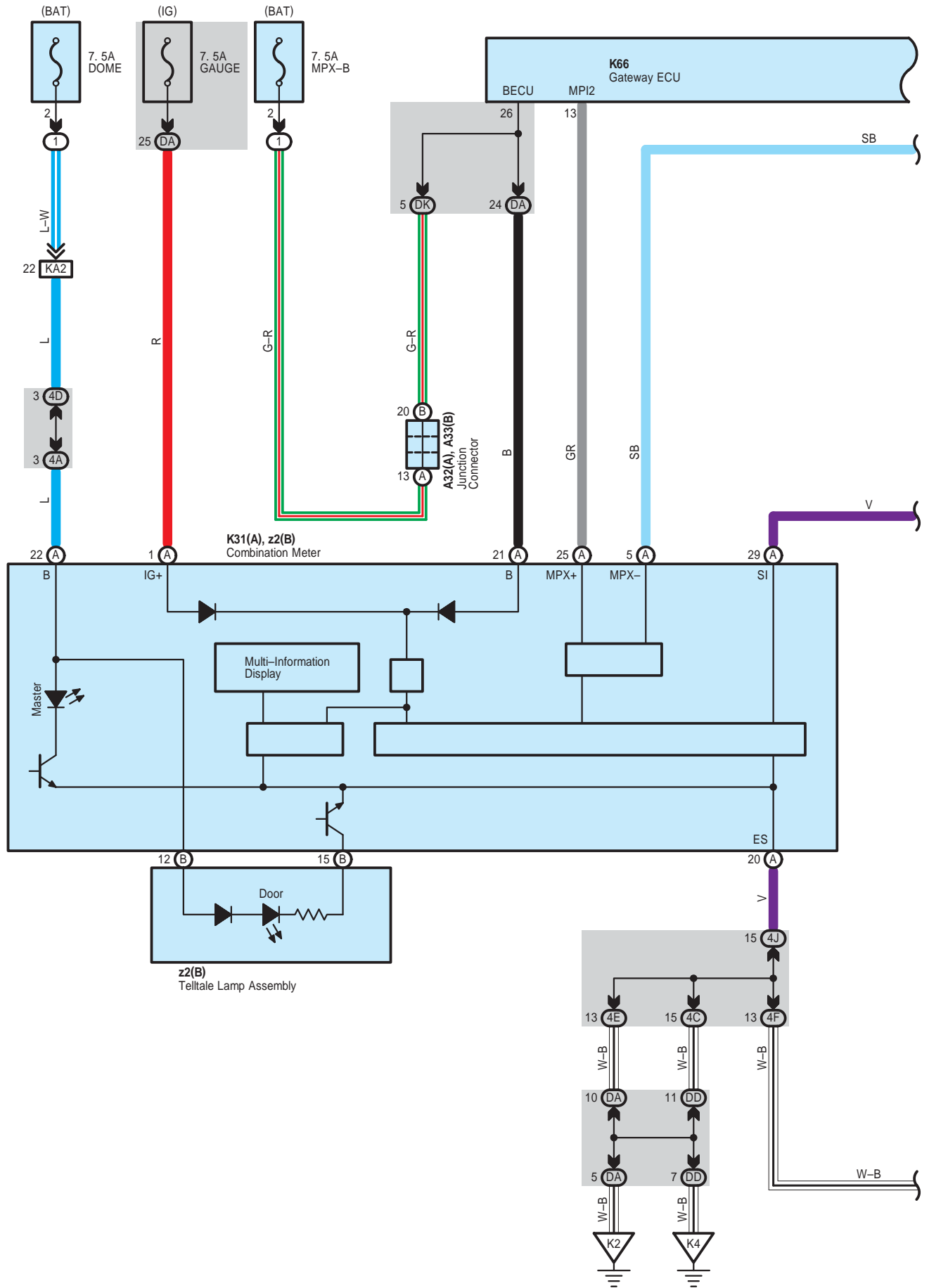
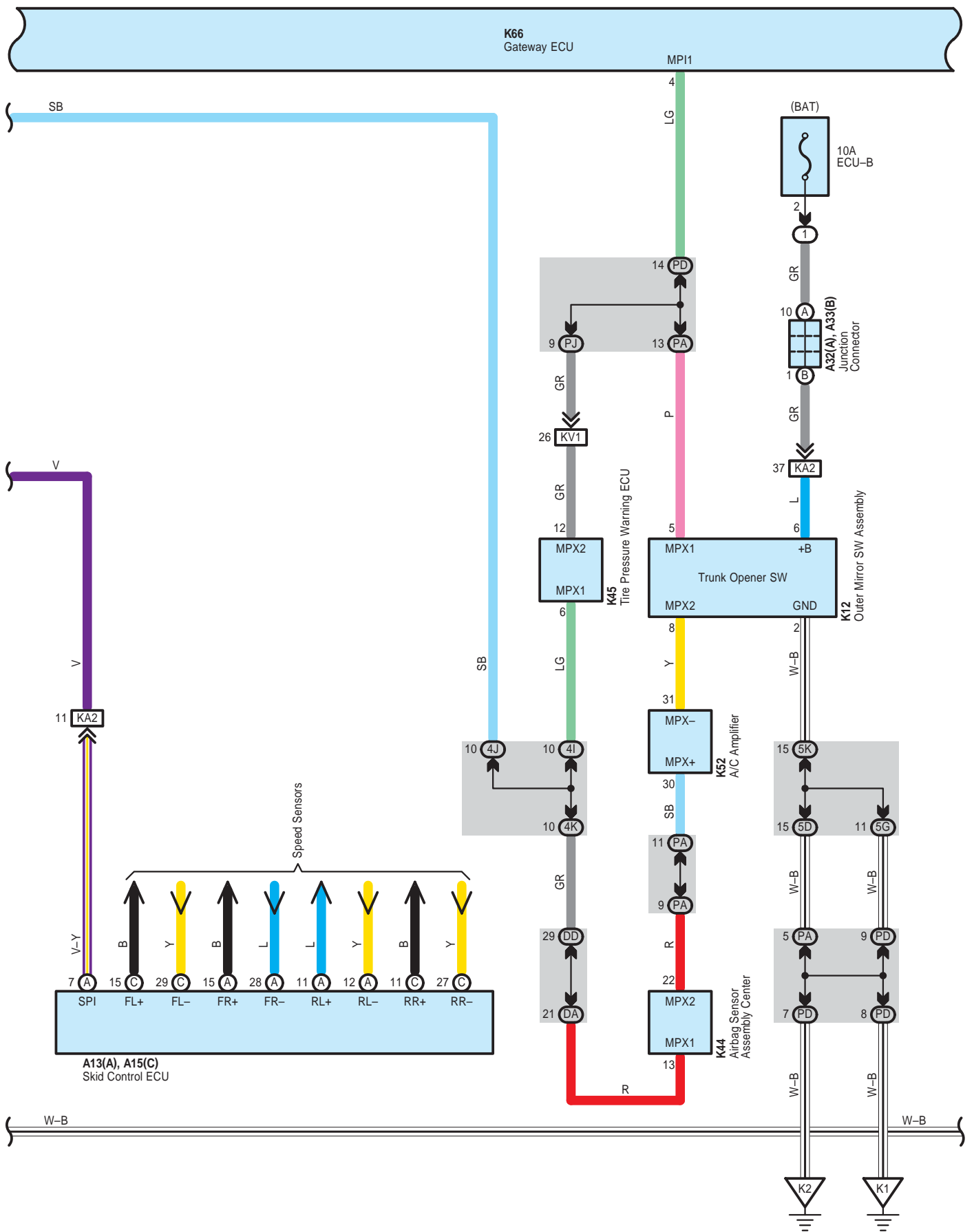
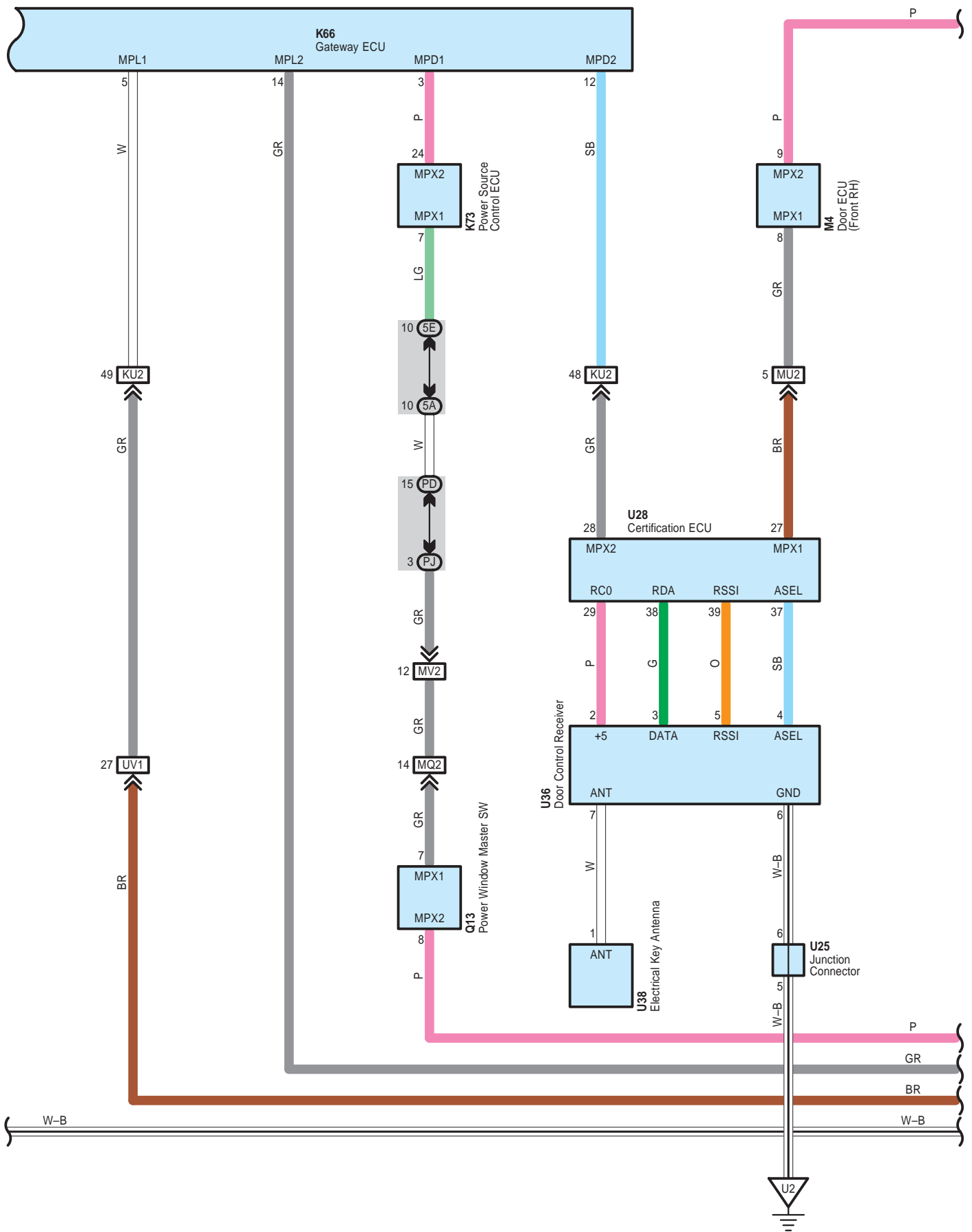


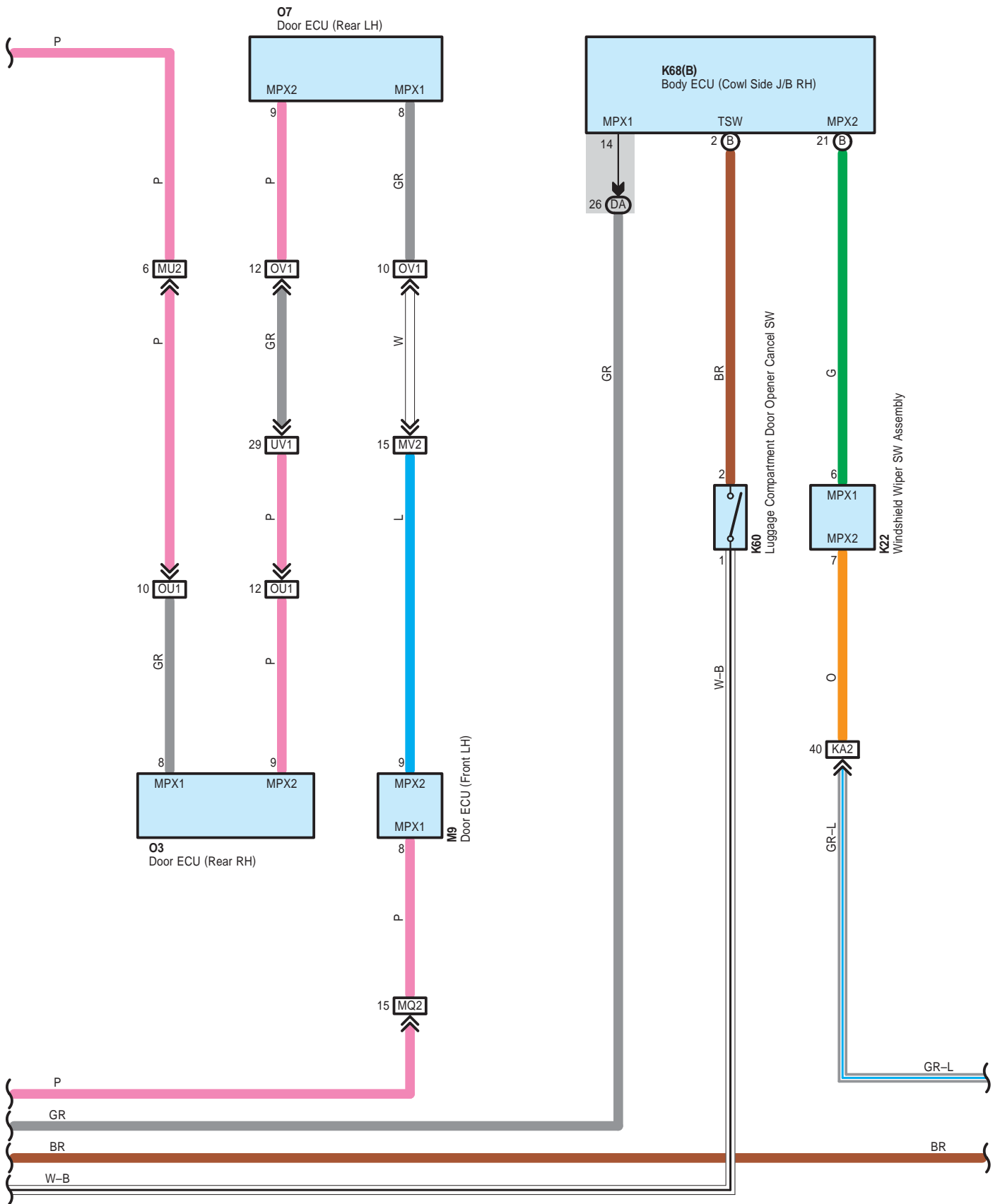
Power Trunk Opener and Closer



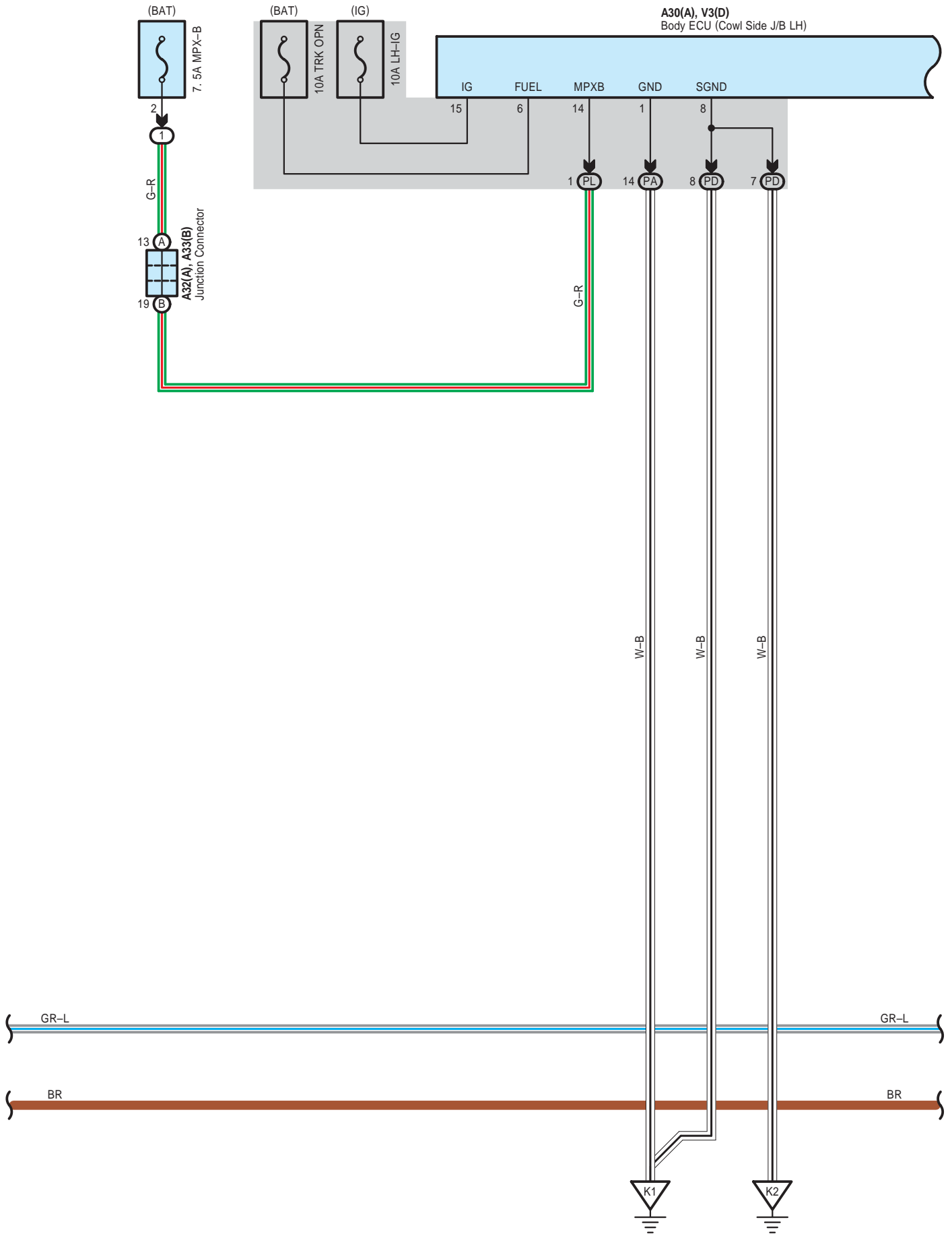


Power Trunk Opener and Closer

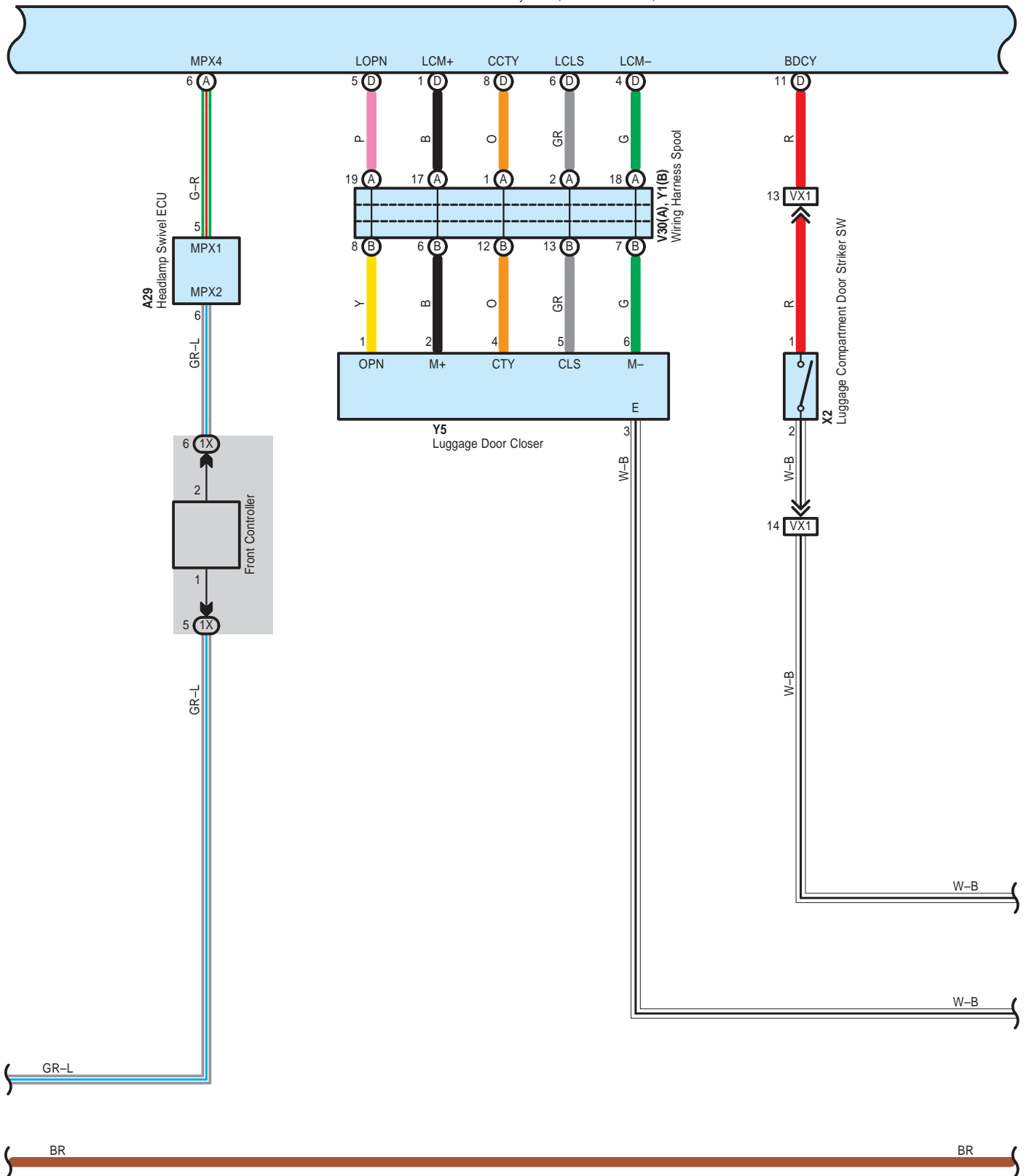




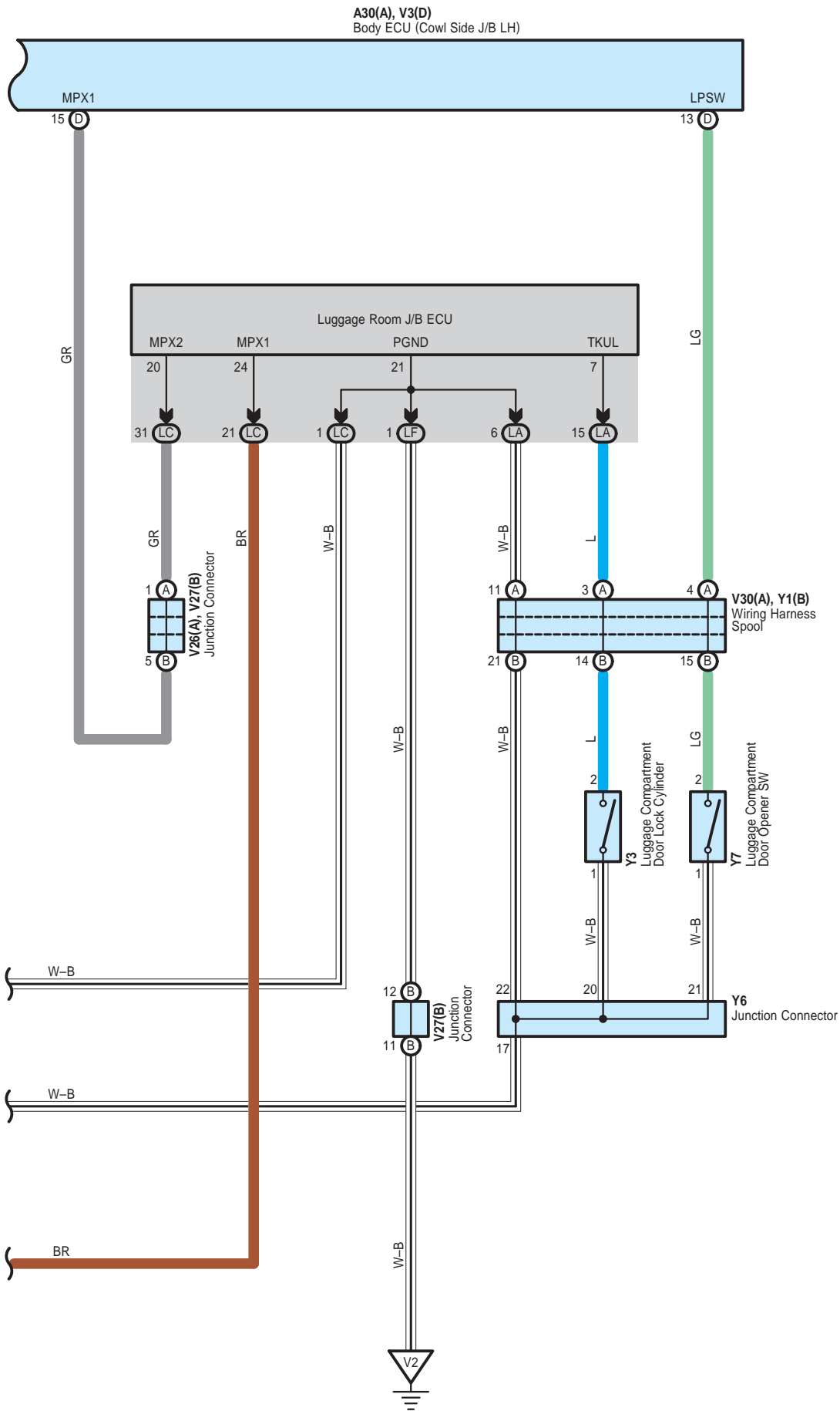
Power Trunk Opener and Closer



A30(A), V3(D)
Body ECU (Cowl Side J/B LH)



Power Trunk Opener and Closer



○ : Parts Location

Code	See Page	Code	See Page	Code	See Page			
A13	A	80	K60	86	U38	90		
A15	C	80	K66	86	V3	D	87	
A29		84	K68	B	86	V26	A	91
A30	A	84	K73	86	V27	B	91	
A32	A	84	M4	88	V30	A	91	
A33	B	84	M9	88	X2		92	
K12		85	O3	88	Y1	B	92	
K22		85	O7	88	Y3		92	
K31	A	85	Q13	89	Y5		92	
K44		86	U25	90	Y6		92	
K45		86	U28	90	Y7		92	
K52		86	U36	90	z2	B	87	

○ : Relay Blocks

Code	See Page	Relay Blocks (Relay Block Location)
1	24	Engine Room R/B No.1 (Engine Compartment Left)

○ : Junction Block and Wire Harness Connector

Code	See Page	Junction Block and Wire Harness (Connector Location)
1X	29	Engine Room Main Wire and Engine Room J/B No.1 (Engine Compartment left)
4A	70	Instrument Panel Wire and Center J/B RH (Right Side of the Instrument Panel Reinforcement)
4C		
4D		
4E		
4F		
4I		
4J		
4K		
5A	66	Instrument Panel Wire and Center J/B LH (Right Side of the Instrument Panel Reinforcement)
5D		
5E		
5G		
5K		
DA	55	Instrument Panel Wire and Cowl Side J/B RH (Behind the Glove Box)
DD		
DK	56	Engine Room Main Wire and Cowl Side J/B RH (Behind the Glove Box)
LA	62	Floor No.2 Wire and Luggage Room J/B (Left Side of the Quarter Panel)
LC	63	
LF		
PA	49	Instrument Panel Wire and Cowl Side J/B LH (Lower Finish Panel)
PD		
PJ	50	Floor No.2 Wire and Cowl Side J/B LH (Lower Finish Panel)
PL	50	Engine Room Main Wire and Cowl Side J/B LH (Lower Finish Panel)

Power Trunk Opener and Closer

: Connector Joining Wire Harness and Wire Harness

Code	See Page	Joining Wire Harness and Wire Harness (Connector Location)
KA2	97	Instrument Panel Wire and Engine Room Main Wire (Left Kick Panel)
KU2	97	Instrument Panel Wire and Floor No.1 Wire (Right Kick Panel)
KV1	97	Instrument Panel Wire and Floor No.2 Wire (Left Kick Panel)
MQ2	98	Front Door LH Wire and Front Door LH No.2 Wire (Front Door Inner Panel LH)
MU2	97	Front Door RH Wire and Floor No.1 Wire (Right Kick Panel)
MV2	97	Front Door LH Wire and Floor No.2 Wire (Left Kick Panel)
OU1	98	Rear Door No.1 Wire and Floor No.1 Wire (Right Center Pillar)
OV1	98	Rear Door No.2 Wire and Floor No.2 Wire (Left Center Pillar)
UV1	98	Floor No.1 Wire and Floor No.2 Wire (Center of the Rear Floor Partition Panel)
VX1	98	Floor No.2 Wire and Luggage Room Wire (Quarter Wheel House Inner Panel LH)

: Ground Points

Code	See Page	Ground Points Location
K1	97	Left Kick Panel
K2	97	Left Side of the Shift Lever
K4	97	Right Kick Panel
U2	98	Right Side of the Rear Floor Partition Panel
V2	98	Roof Side Inner Panel LH

