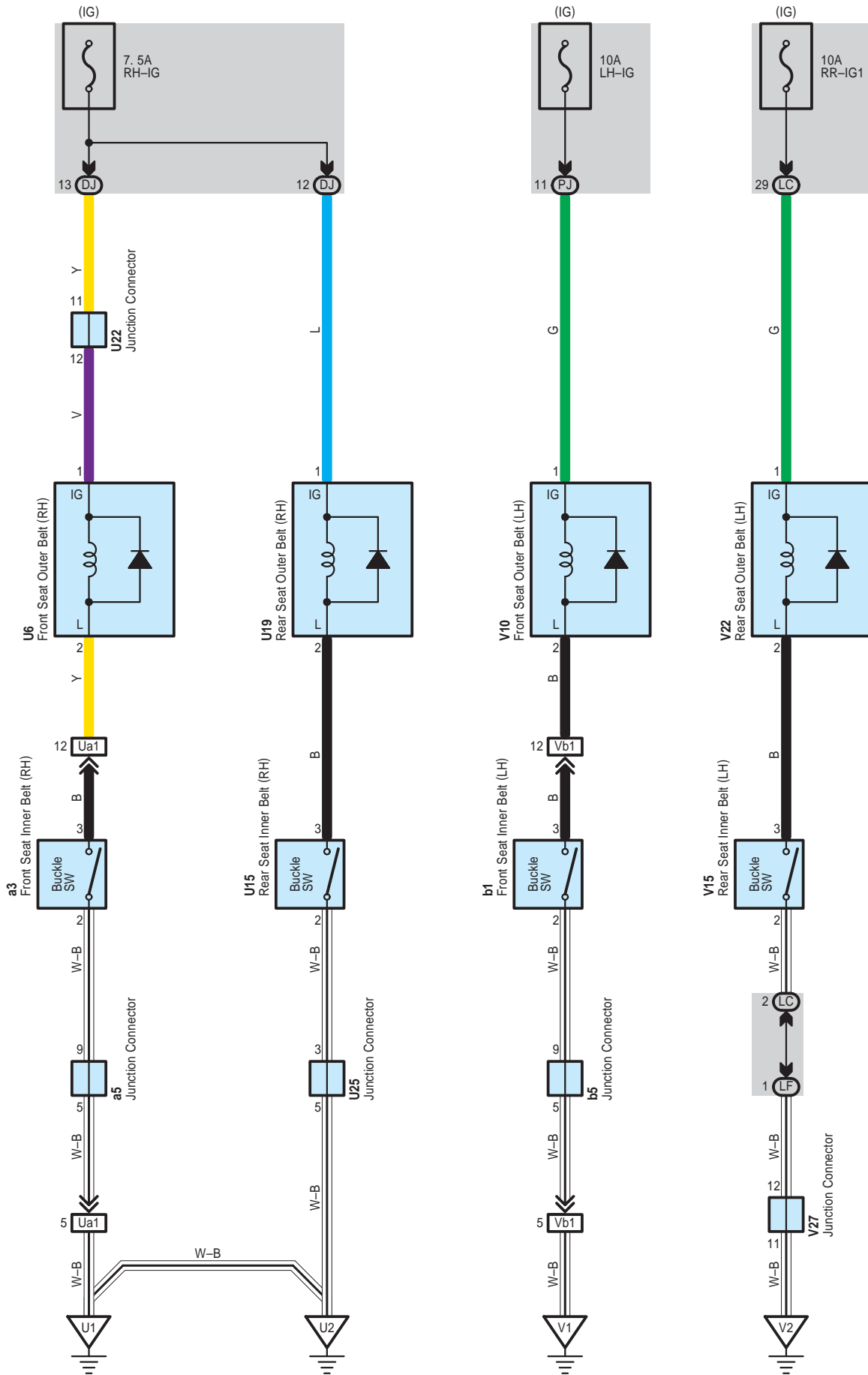


# Electric Tension Reducer



 : **Parts Location**

Code	See Page	Code	See Page	Code	See Page
U6	90	V10	91	a5	94
U15	90	V15	91	b1	94
U19	90	V22	91	b5	94
U22	90	V27	91		
U25	90	a3	94		

 : **Junction Block and Wire Harness Connector**

Code	See Page	Junction Block and Wire Harness (Connector Location)
DJ	56	Floor Wire and Cowl Side J/B RH (Behind the Glove Box)
LC	63	Floor No.2 Wire and Luggage Room J/B (Left Side of the Quarter Panel )
LF		
PJ	50	Floor No.2 Wire and Cowl Side J/B LH (Lower Finish Panel)

 : **Connector Joining Wire Harness and Wire Harness**

Code	See Page	Joining Wire Harness and Wire Harness (Connector Location)
Ua1	99	Floor No.1 Wire and Front Seat RH Wire (Under the Front Passenger's Seat)
Vb1	99	Floor No.2 Wire and Front Seat LH Wire (Under the Driver's Seat)

 : **Ground Points**

Code	See Page	Ground Points Location
U1	98	Under the Front Passenger's Seat
U2	98	Right Side of the Rear Floor Partition Panel
V1	98	Under the Driver's Seat
V2	98	Roof Side Inner Panel LH