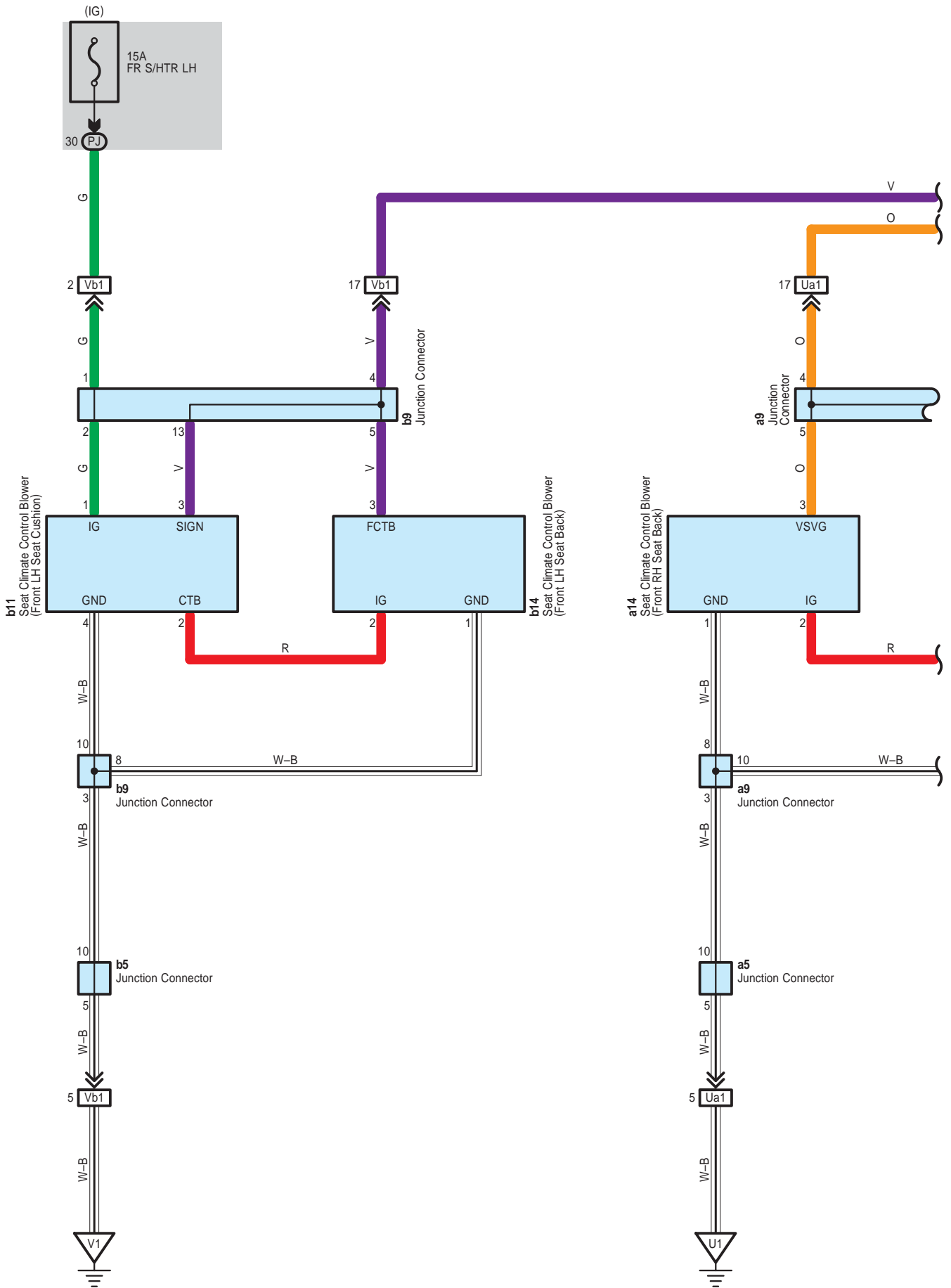
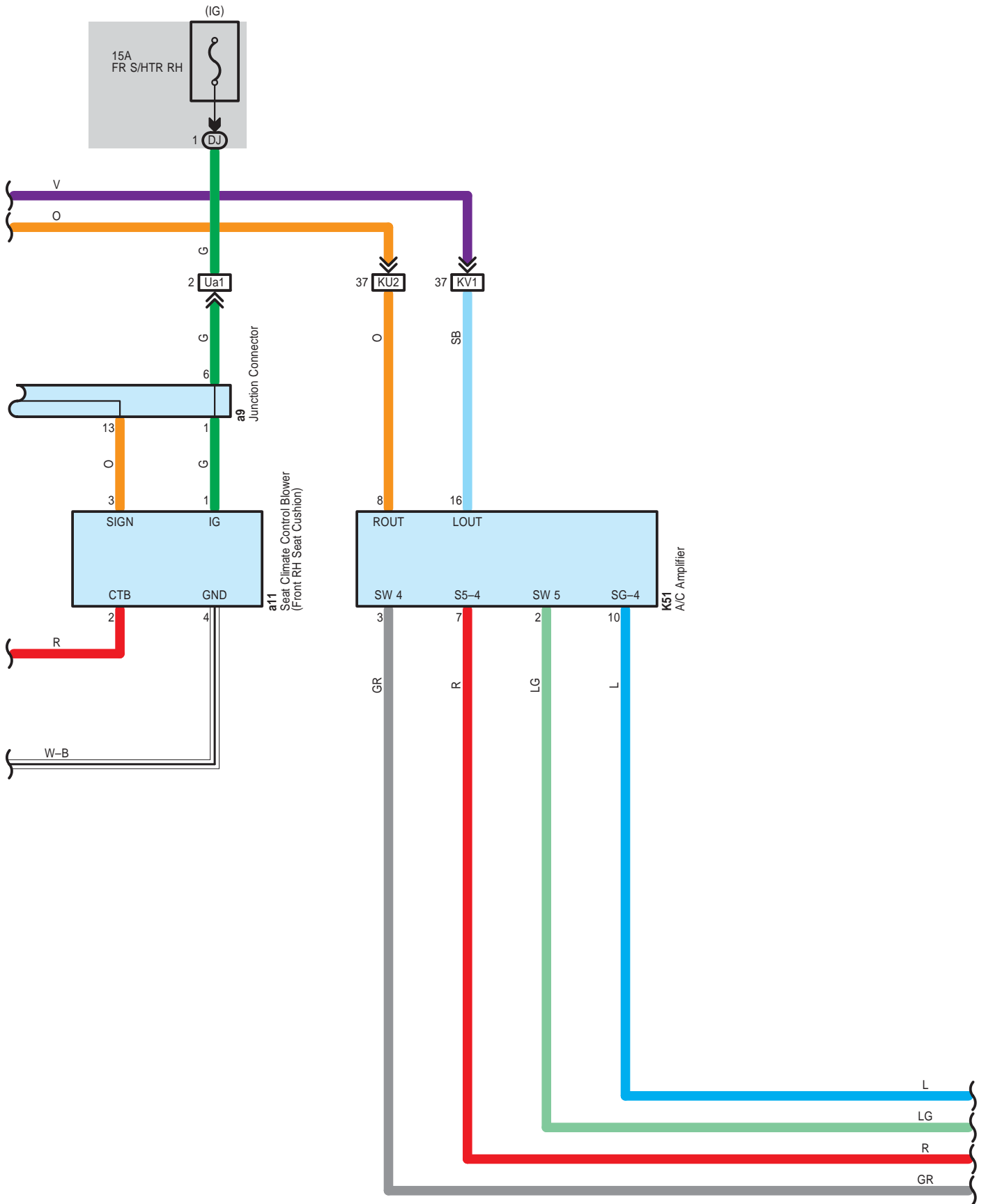
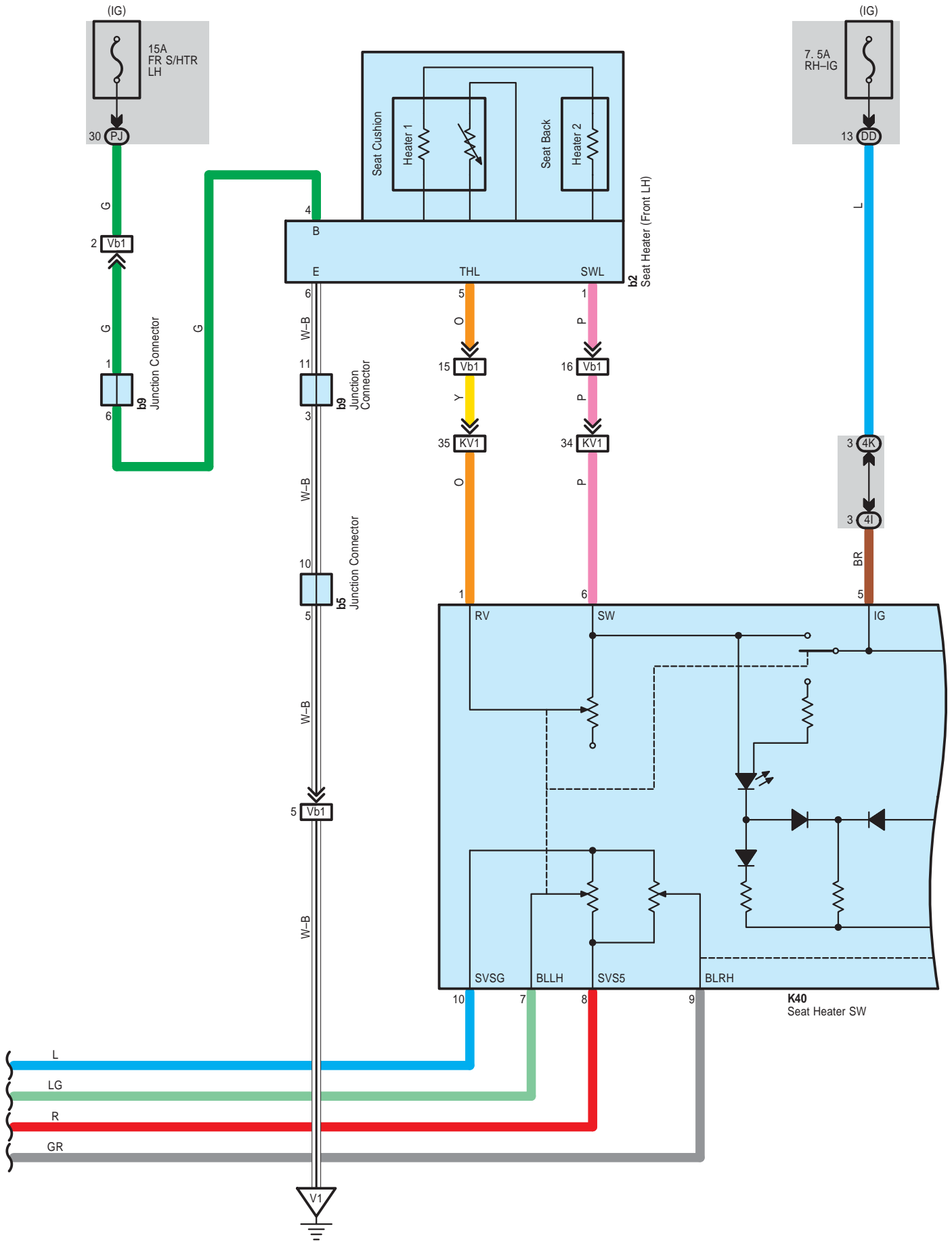


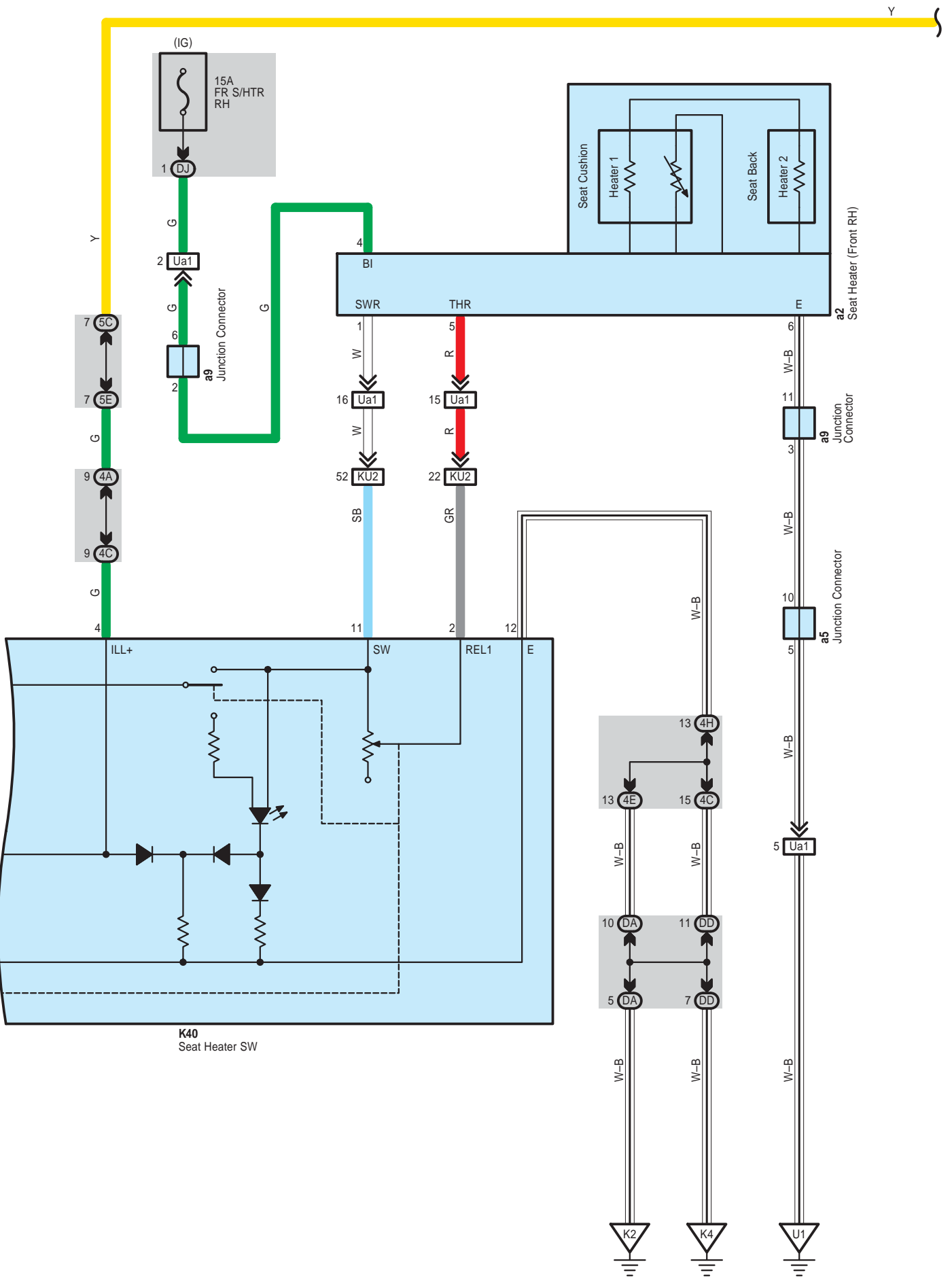
Climate Control Seat



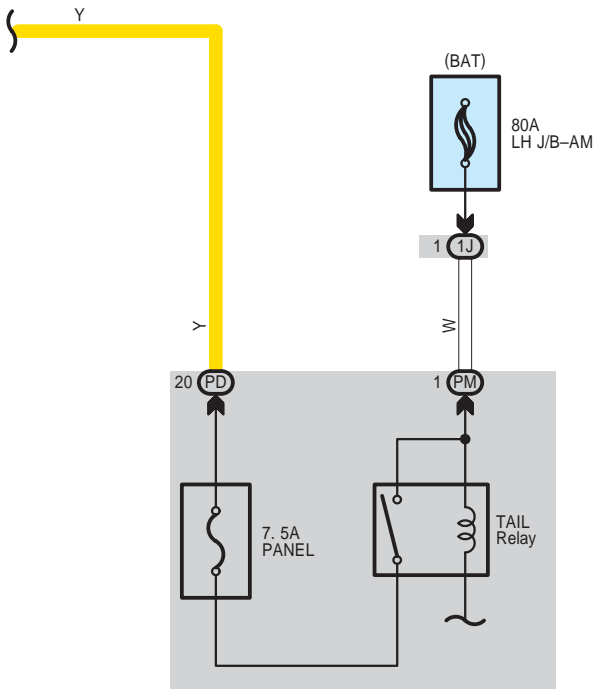


Climate Control Seat





Climate Control Seat



 : Parts Location

| Code | See Page | Code | See Page | Code | See Page |
|------|----------|------|----------|------|----------|
| K40 | 86 | a9 | 94 | b5 | 94 |
| K51 | 86 | a11 | 94 | b9 | 94 |
| a2 | 94 | a14 | 94 | b11 | 94 |
| a5 | 94 | b2 | 94 | b14 | 94 |

 : Junction Block and Wire Harness Connector

| Code | See Page | Junction Block and Wire Harness (Connector Location) |
|------|----------|--|
| 1J | 27 | Engine Room Main Wire and Engine Room J/B No.1 (Engine Compartment left) |
| 4A | 70 | Instrument Panel Wire and Center J/B RH (Right Side of the Instrument Panel Reinforcement) |
| 4C | | |
| 4E | | |
| 4H | | |
| 4I | | |
| 4K | | |
| 5C | 66 | Instrument Panel Wire and Center J/B LH (Right Side of the Instrument Panel Reinforcement) |
| 5E | 55 | Instrument Panel Wire and Cowl Side J/B RH (Behind the Glove Box) |
| DA | | |
| DD | 56 | Floor Wire and Cowl Side J/B RH (Behind the Glove Box) |
| DJ | | |
| PD | 49 | Instrument Panel Wire and Cowl Side J/B LH (Lower Finish Panel) |
| PJ | 50 | Floor No.2 Wire and Cowl Side J/B LH (Lower Finish Panel) |
| PM | 50 | Engine Room Main Wire and Cowl Side J/B LH (Lower Finish Panel) |

 : Connector Joining Wire Harness and Wire Harness

| Code | See Page | Joining Wire Harness and Wire Harness (Connector Location) |
|------|----------|---|
| KU2 | 97 | Instrument Panel Wire and Floor No.1 Wire (Right Kick Panel) |
| KV1 | 97 | Instrument Panel Wire and Floor No.2 Wire (Left Kick Panel) |
| Ua1 | 99 | Floor No.1 Wire and Front Seat RH Wire (Under the Front Passenger's Seat) |
| Vb1 | 99 | Floor No.2 Wire and Front Seat LH Wire (Under the Driver's Seat) |

 : Ground Points

| Code | See Page | Ground Points Location |
|------|----------|----------------------------------|
| K2 | 97 | Left Side of the Shift Lever |
| K4 | 97 | Right Kick Panel |
| U1 | 98 | Under the Front Passenger's Seat |
| V1 | 98 | Under the Driver's Seat |