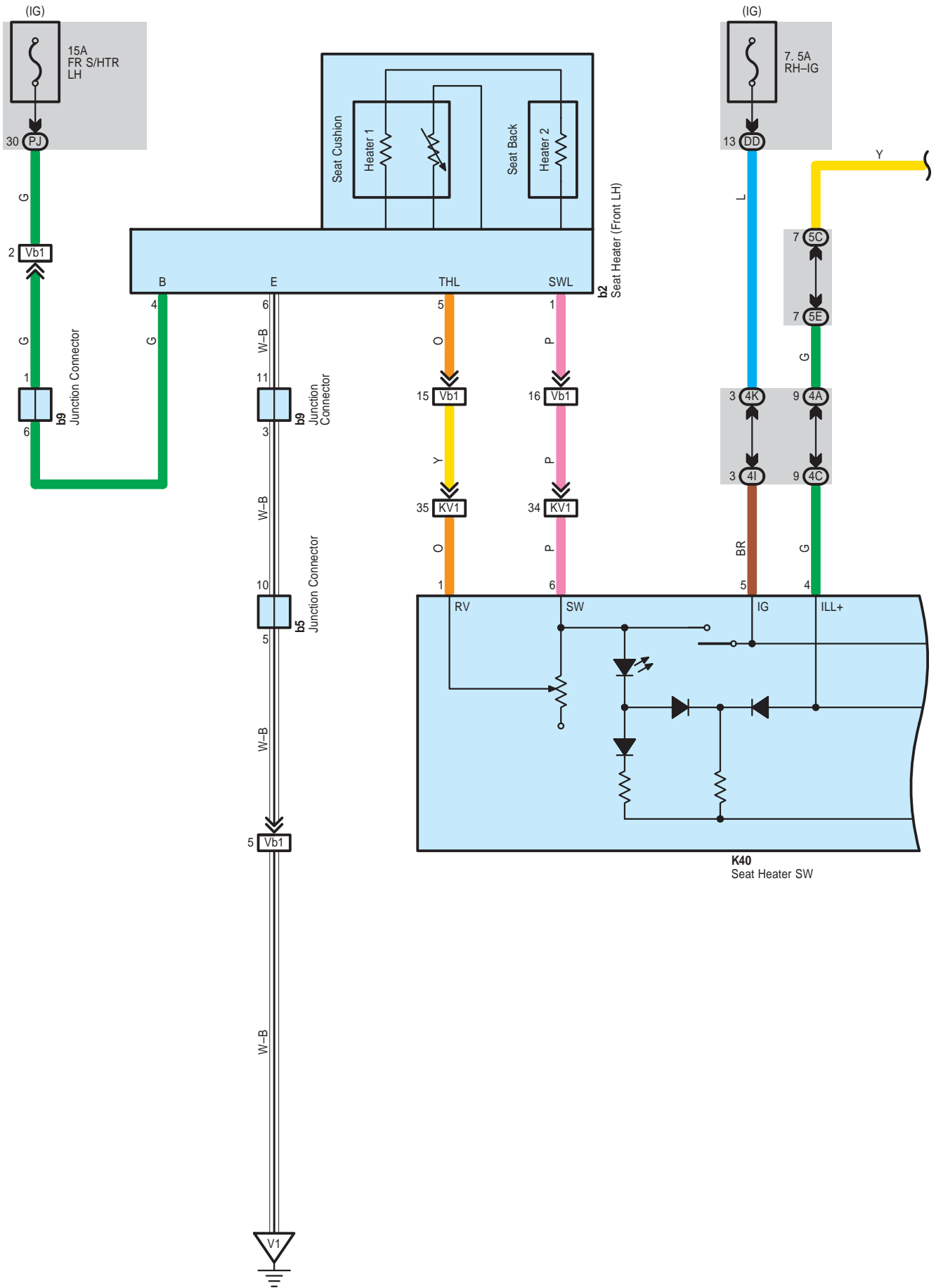
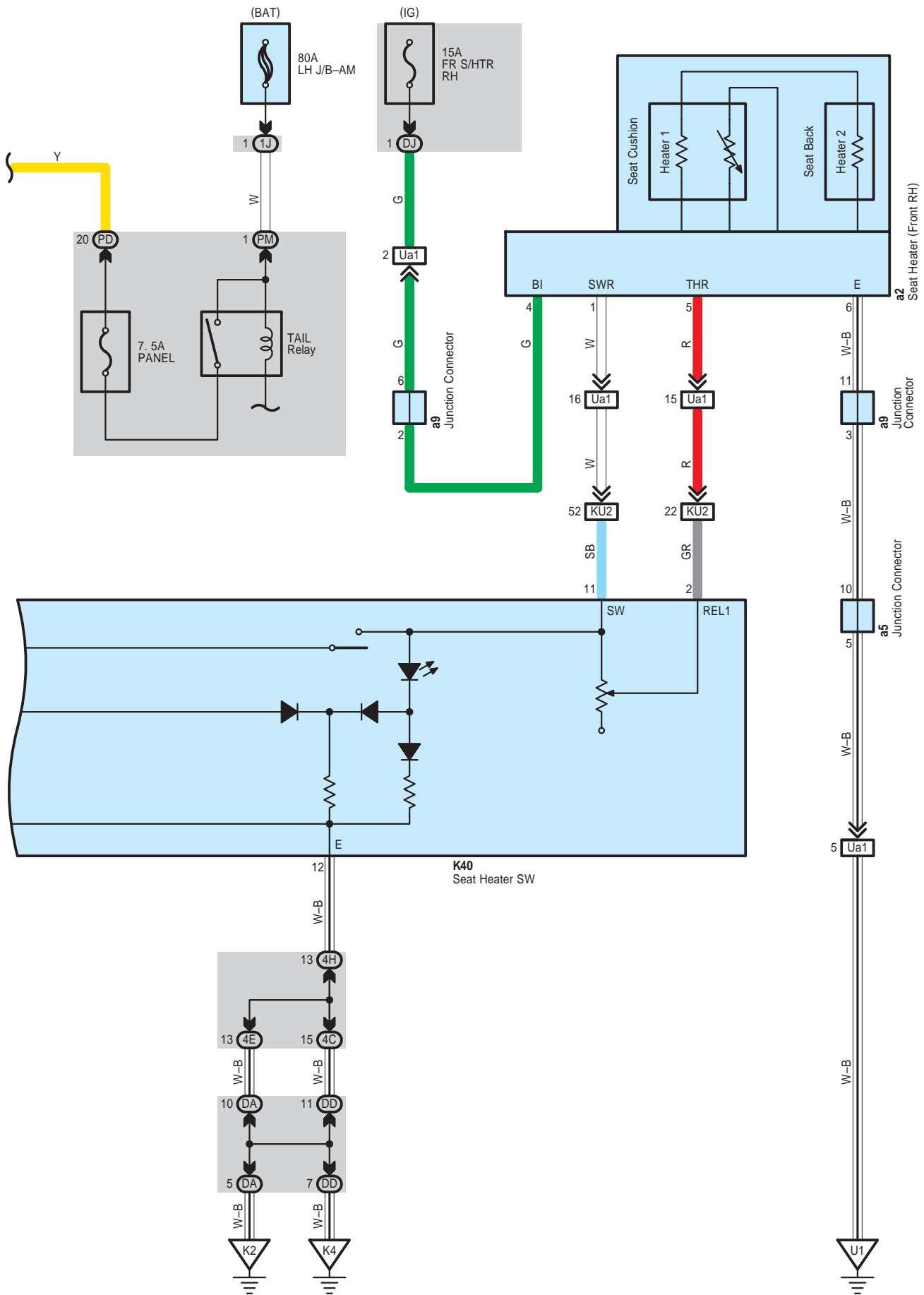


Seat Heater





Seat Heater

: Parts Location

Code	See Page	Code	See Page	Code	See Page
K40	86	a9	94	b9	94
a2	94	b2	94		
a5	94	b5	94		

: Junction Block and Wire Harness Connector

Code	See Page	Junction Block and Wire Harness (Connector Location)
1J	27	Engine Room Main Wire and Engine Room J/B No.1 (Engine Compartment left)
4A	70	Instrument Panel Wire and Center J/B RH (Right Side of the Instrument Panel Reinforcement)
4C		
4E		
4H		
4I		
4K		
5C	66	Instrument Panel Wire and Center J/B LH (Right Side of the Instrument Panel Reinforcement)
5E		
DA	55	Instrument Panel Wire and Cowl Side J/B RH (Behind the Glove Box)
DD		
DJ	56	Floor Wire and Cowl Side J/B RH (Behind the Glove Box)
PD	49	Instrument Panel Wire and Cowl Side J/B LH (Lower Finish Panel)
PJ	50	Floor No.2 Wire and Cowl Side J/B LH (Lower Finish Panel)
PM	50	Engine Room Main Wire and Cowl Side J/B LH (Lower Finish Panel)

: Connector Joining Wire Harness and Wire Harness

Code	See Page	Joining Wire Harness and Wire Harness (Connector Location)
KU2	97	Instrument Panel Wire and Floor No.1 Wire (Right Kick Panel)
KV1	97	Instrument Panel Wire and Floor No.2 Wire (Left Kick Panel)
Ua1	99	Floor No.1 Wire and Front Seat RH Wire (Under the Front Passenger's Seat)
Vb1	99	Floor No.2 Wire and Front Seat LH Wire (Under the Driver's Seat)

: Ground Points

Code	See Page	Ground Points Location
K2	97	Left Side of the Shift Lever
K4	97	Right Kick Panel
U1	98	Under the Front Passenger's Seat
V1	98	Under the Driver's Seat

