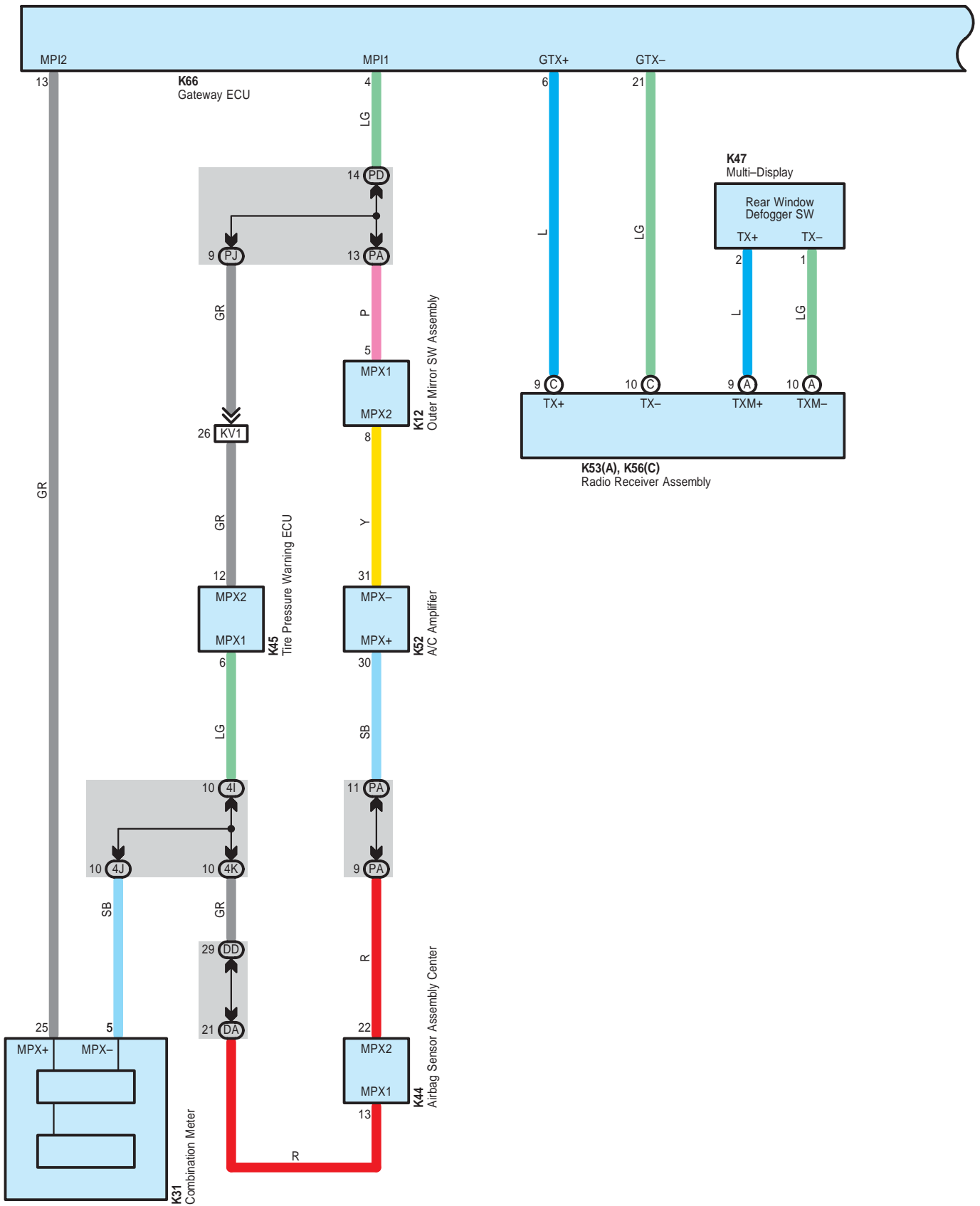
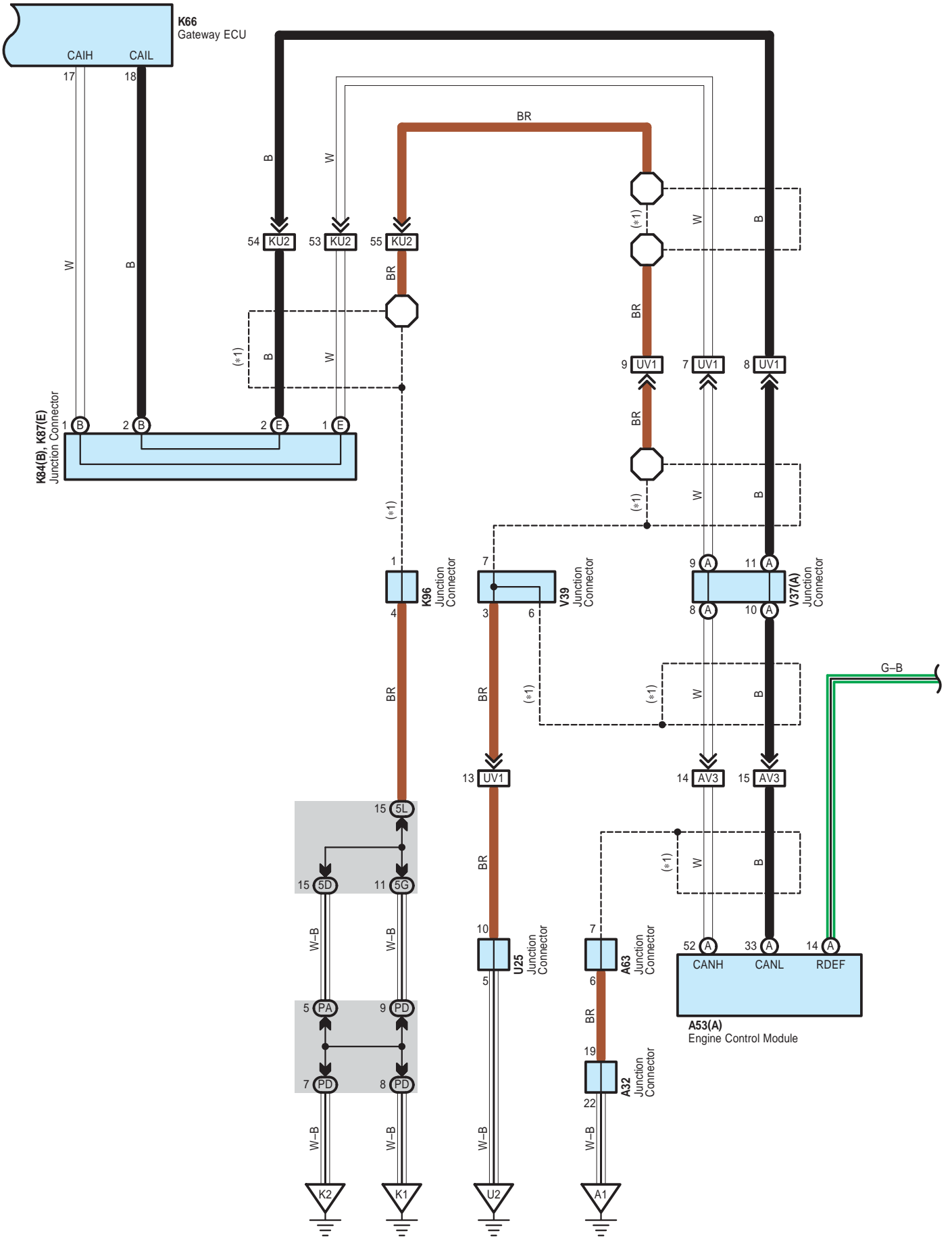


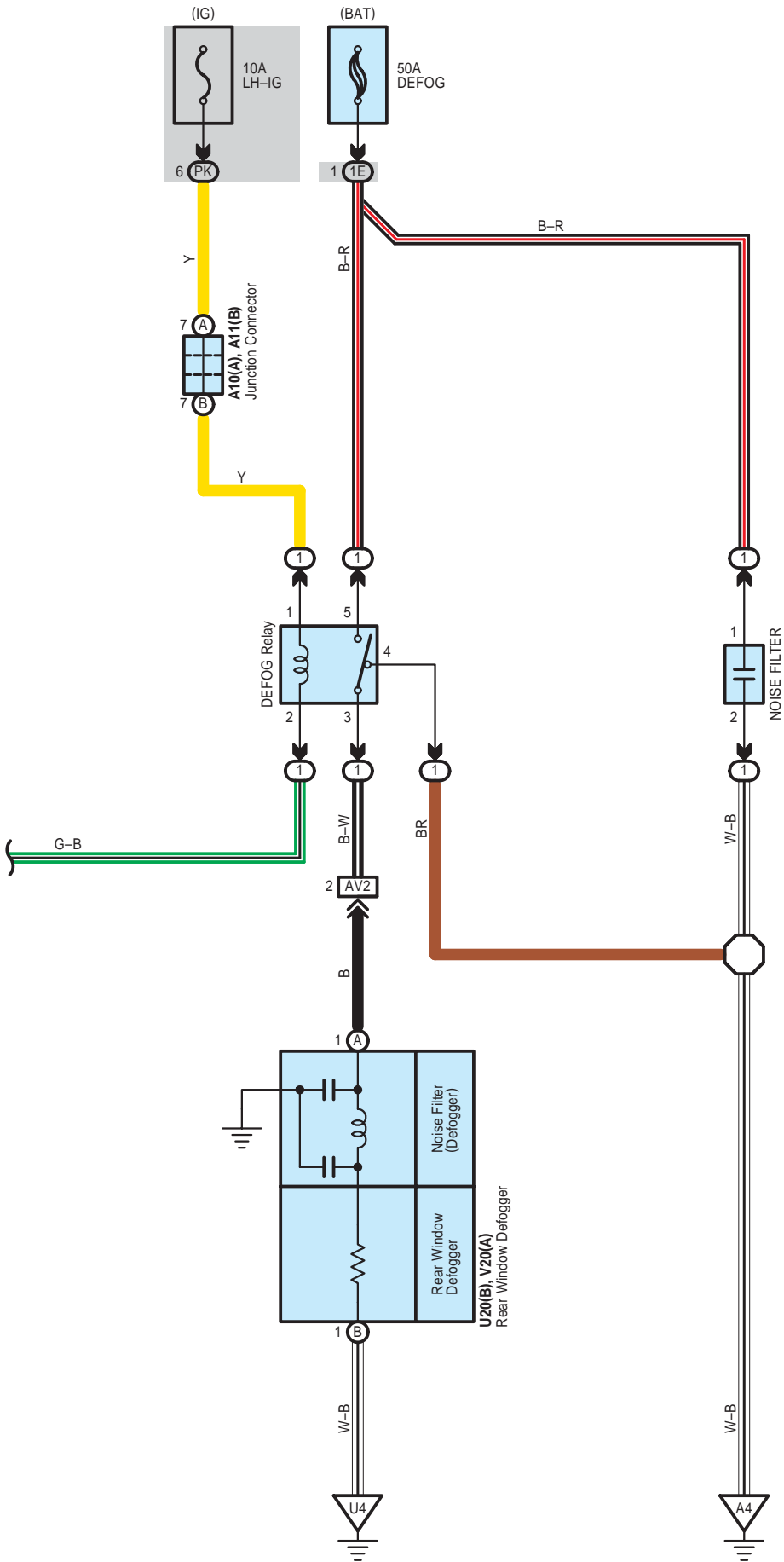
Rear Window Defogger



* 1 : Shielded



Rear Window Defogger



 : Parts Location

Code	See Page	Code	See Page	Code	See Page
A10	A 80	K45	86	K96	86
A11	B 80	K47	86	U20	B 90
A32	84	K52	86	U25	90
A53	A 80	K53	A 86	V20	A 91
A63	84	K56	C 86	V37	A 91
K12	85	K66	86	V39	91
K31	85	K84	B 78, 86		
K44	86	K87	E 78, 86		

 : Relay Blocks

Code	See Page	Relay Blocks (Relay Block Location)
1	24	Engine Room R/B No.1 (Engine Compartment Left)

 : Junction Block and Wire Harness Connector

Code	See Page	Junction Block and Wire Harness (Connector Location)
1E	27	Engine Room Main Wire and Engine Room J/B No.1 (Engine Compartment left)
4I	70	Instrument Panel Wire and Center J/B RH (Right Side of the Instrument Panel Reinforcement)
4J		
4K		
5D	66	Instrument Panel Wire and Center J/B LH (Right Side of the Instrument Panel Reinforcement)
5G		
5L		
DA	55	Instrument Panel Wire and Cowl Side J/B RH (Behind the Glove Box)
DD		
PA	49	Instrument Panel Wire and Cowl Side J/B LH (Lower Finish Panel)
PD		
PJ	50	Floor No.2 Wire and Cowl Side J/B LH (Lower Finish Panel)
PK	50	Engine Room Main Wire and Cowl Side J/B LH (Lower Finish Panel)

 : Connector Joining Wire Harness and Wire Harness

Code	See Page	Joining Wire Harness and Wire Harness (Connector Location)
AV2	97	Engine Room Main Wire and Floor No.2 Wire (Cowl Side Panel LH)
AV3		
KU2	97	Instrument Panel Wire and Floor No.1 Wire (Right Kick Panel)
KV1	97	Instrument Panel Wire and Floor No.2 Wire (Left Kick Panel)
UV1	98	Floor No.1 Wire and Floor No.2 Wire (Center of the Rear Floor Partition Panel)

 : Ground Points

Code	See Page	Ground Points Location
A1	96	Left Side of the Dash Panel
A4	96	Front Right Fender Apron
K1	97	Left Kick Panel
K2	97	Left Side of the Shift Lever
U2	98	Right Side of the Rear Floor Partition Panel
U4	98	Roof Side Inner Panel RH