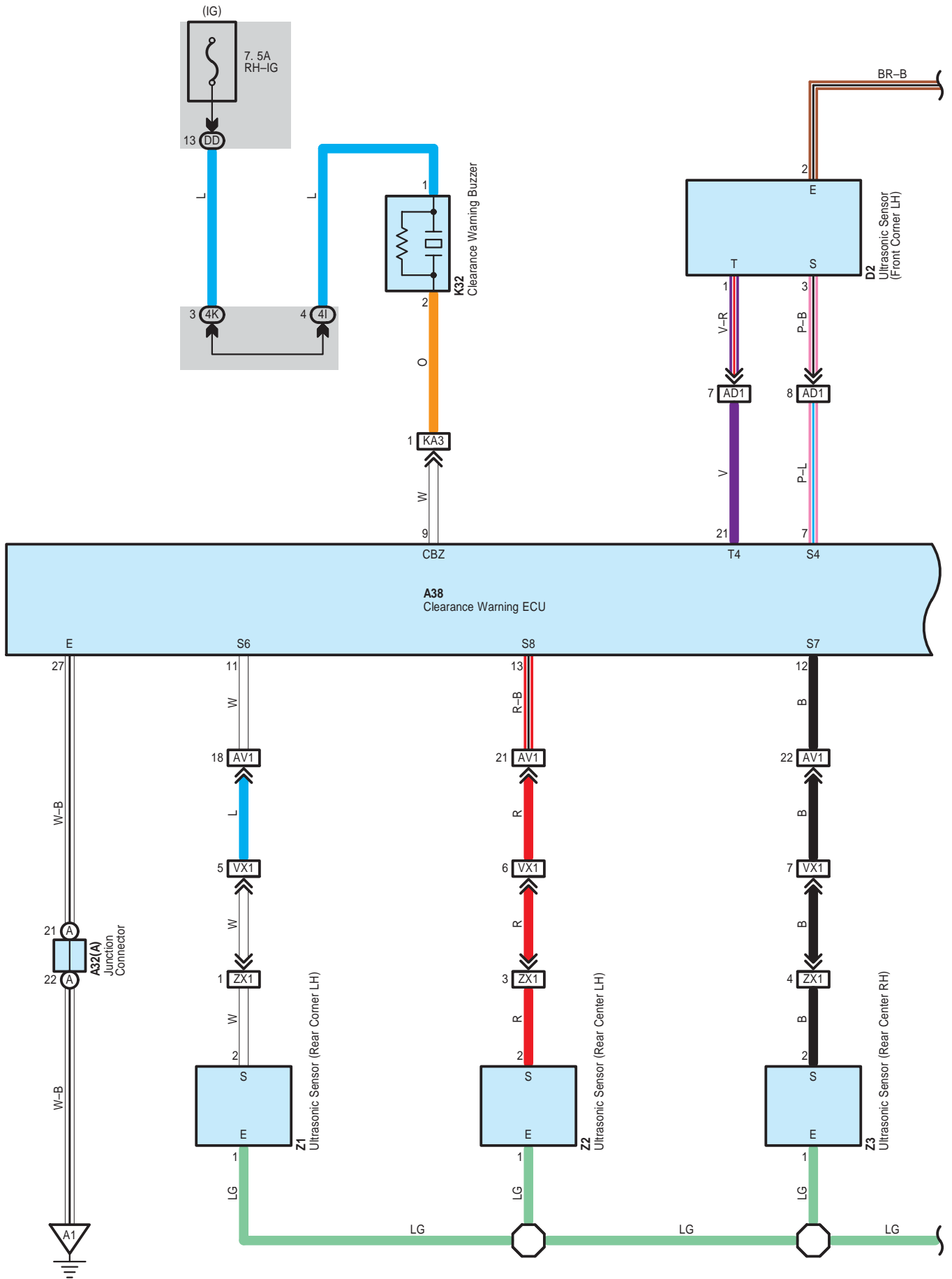
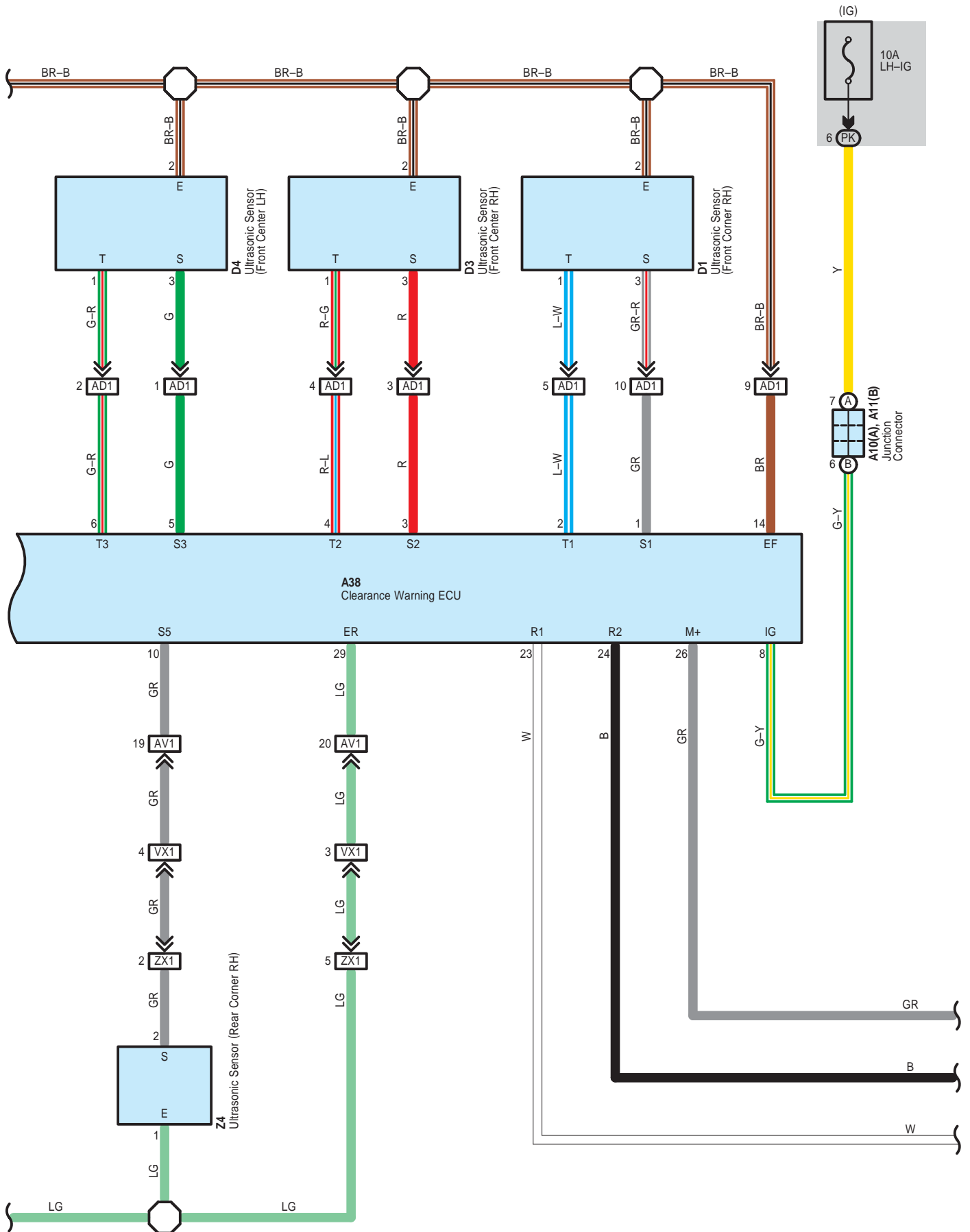


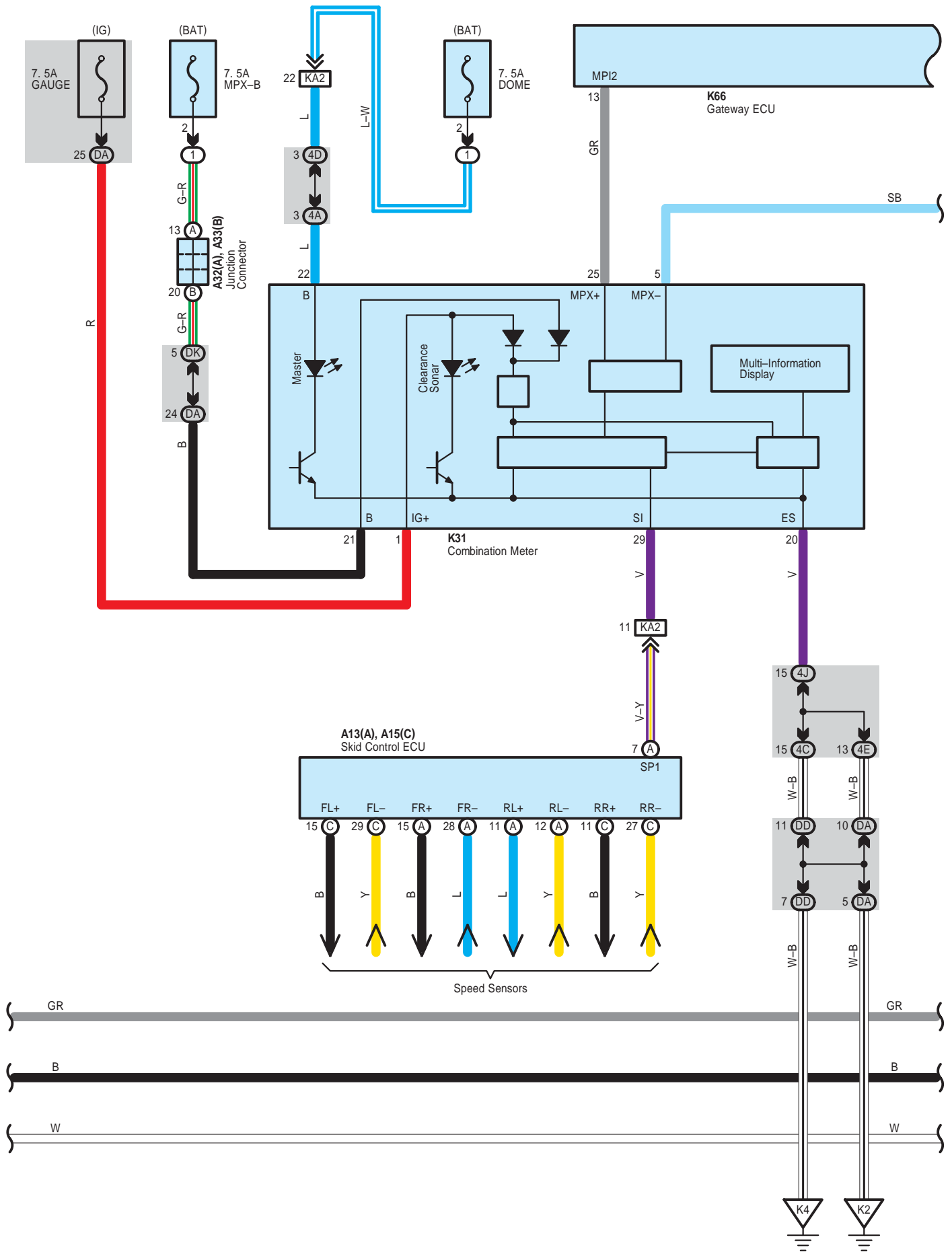
# Parking Assist (Intuitive Parking Assist)

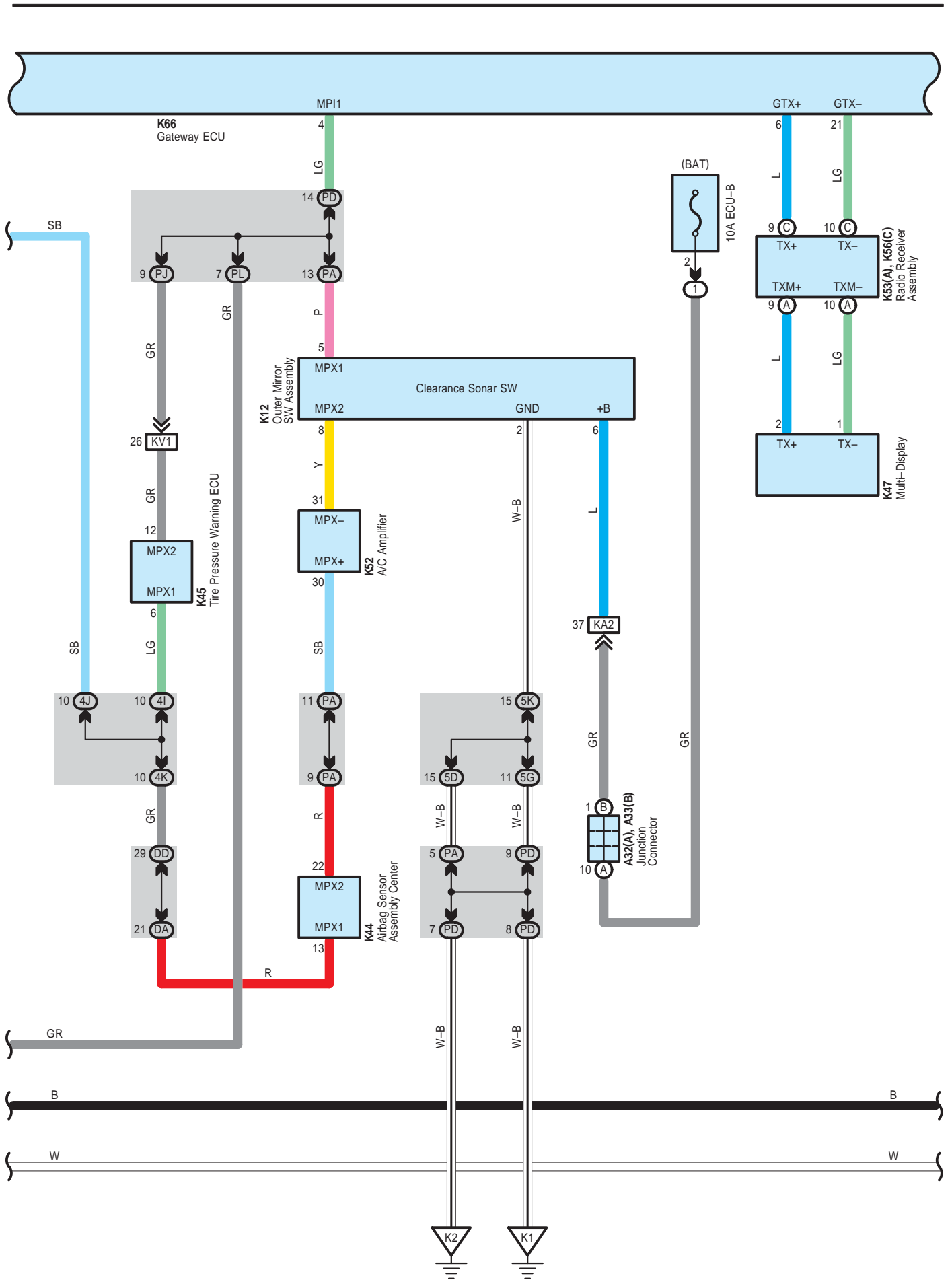




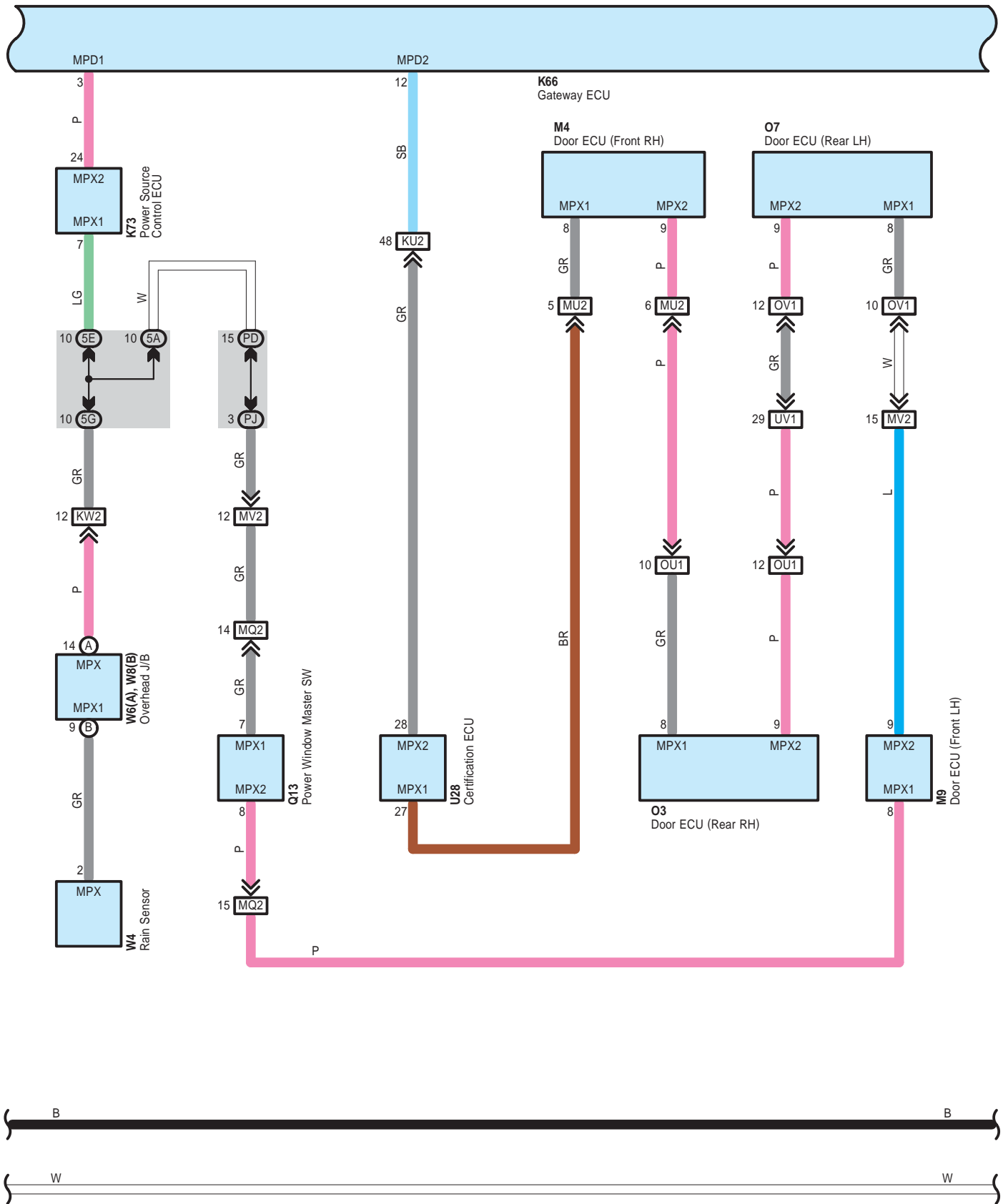
LEXUS GS 450h (EM02D0U)

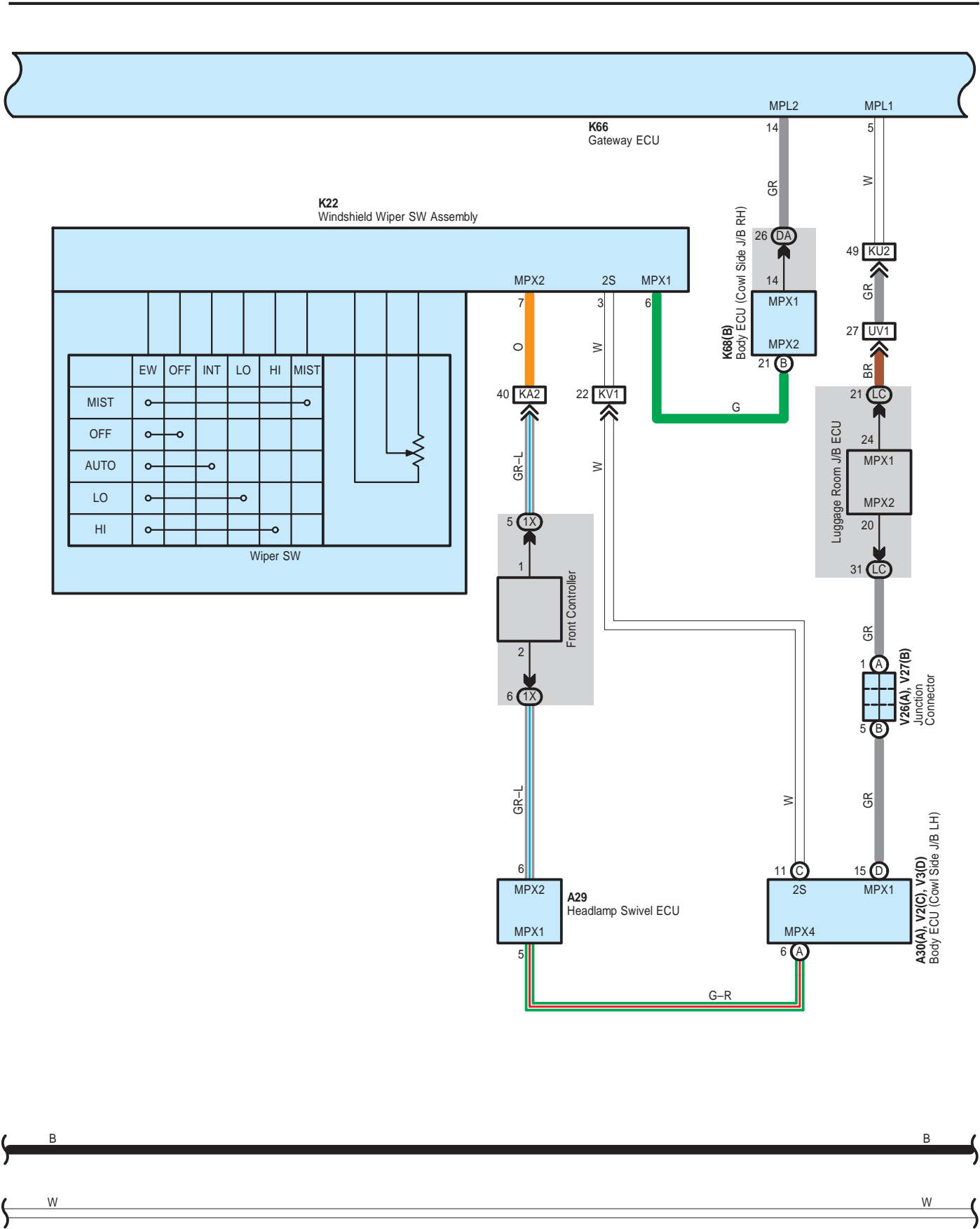
# Parking Assist (Intuitive Parking Assist)



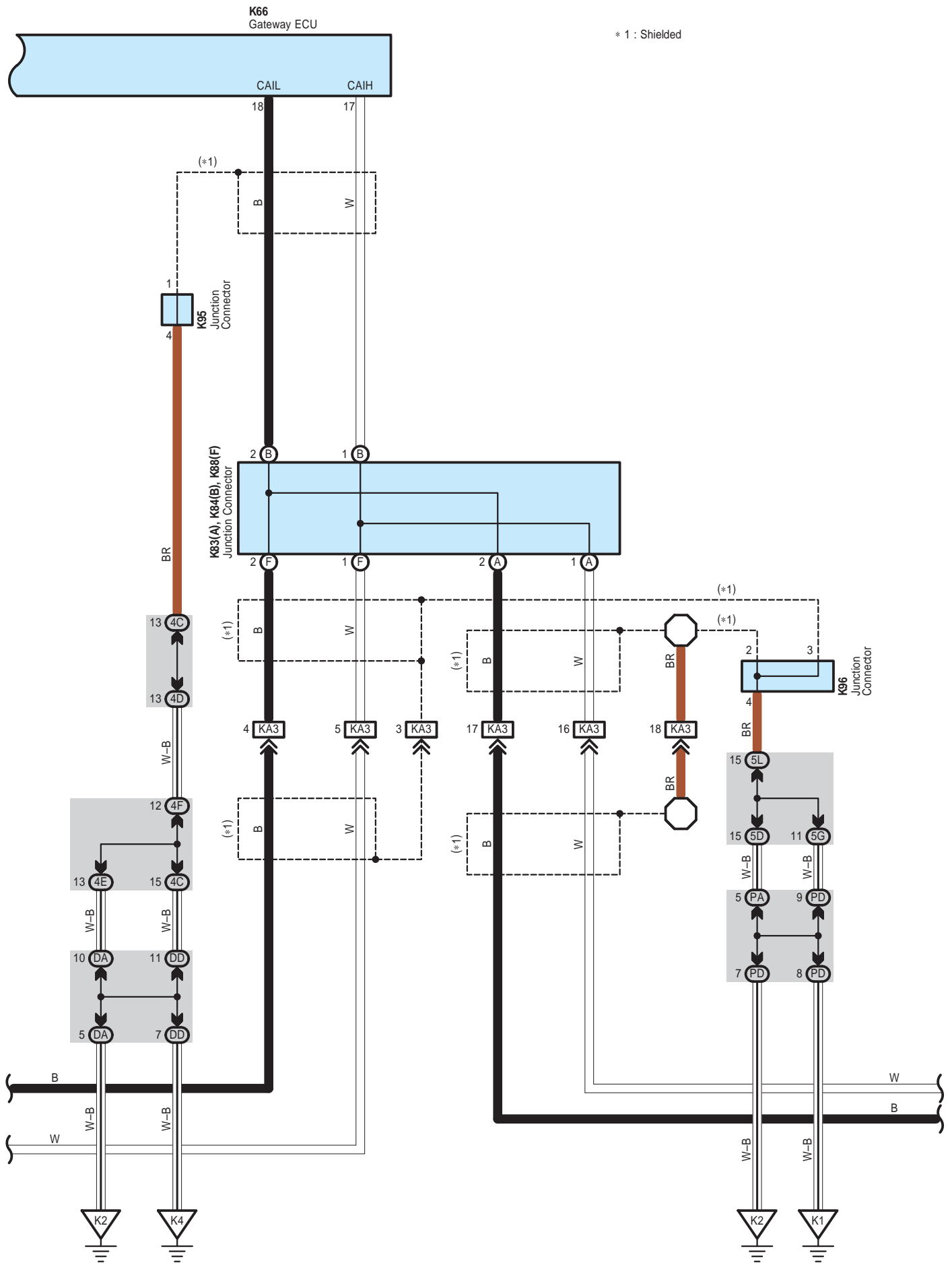


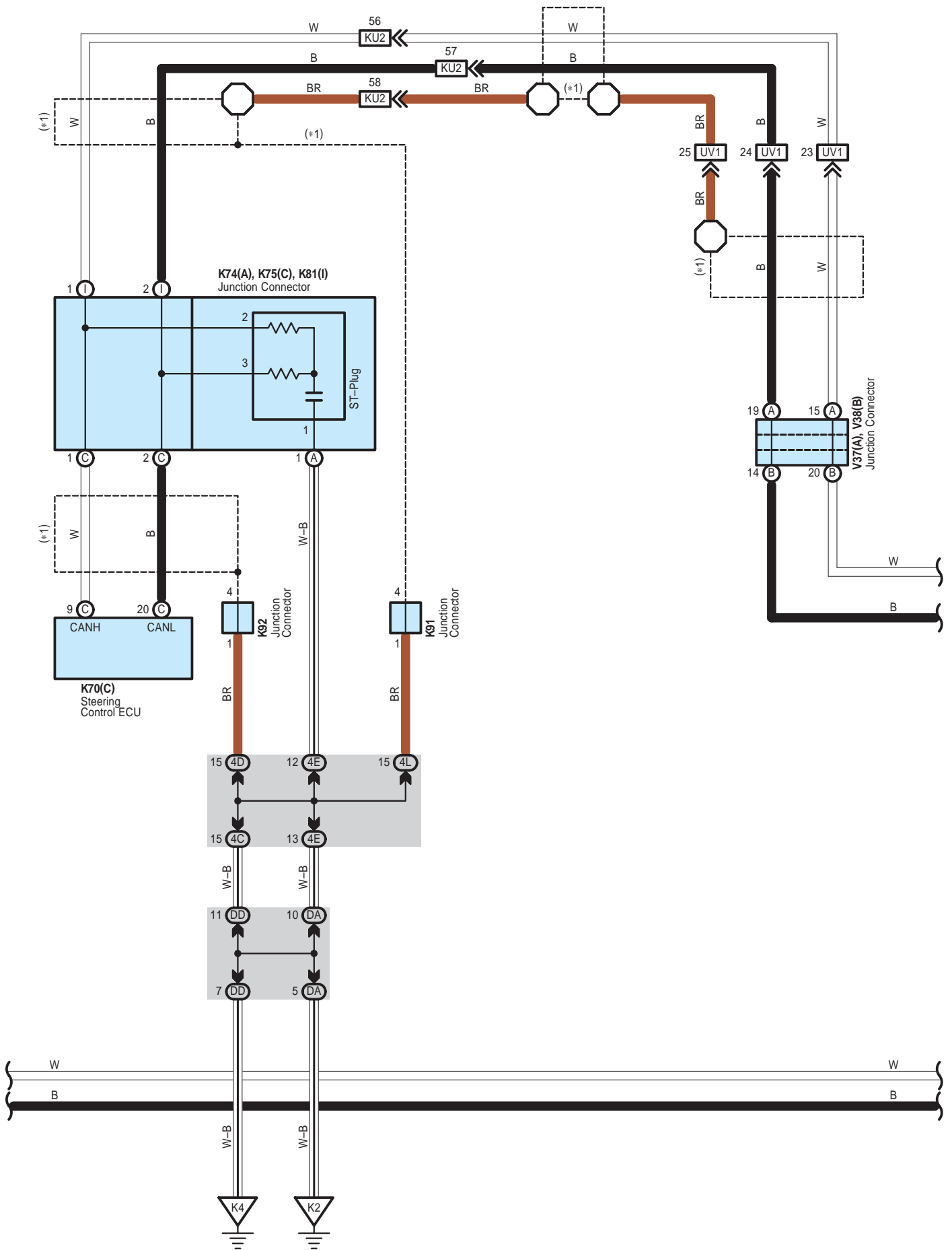
# Parking Assist (Intuitive Parking Assist)





# Parking Assist (Intuitive Parking Assist)

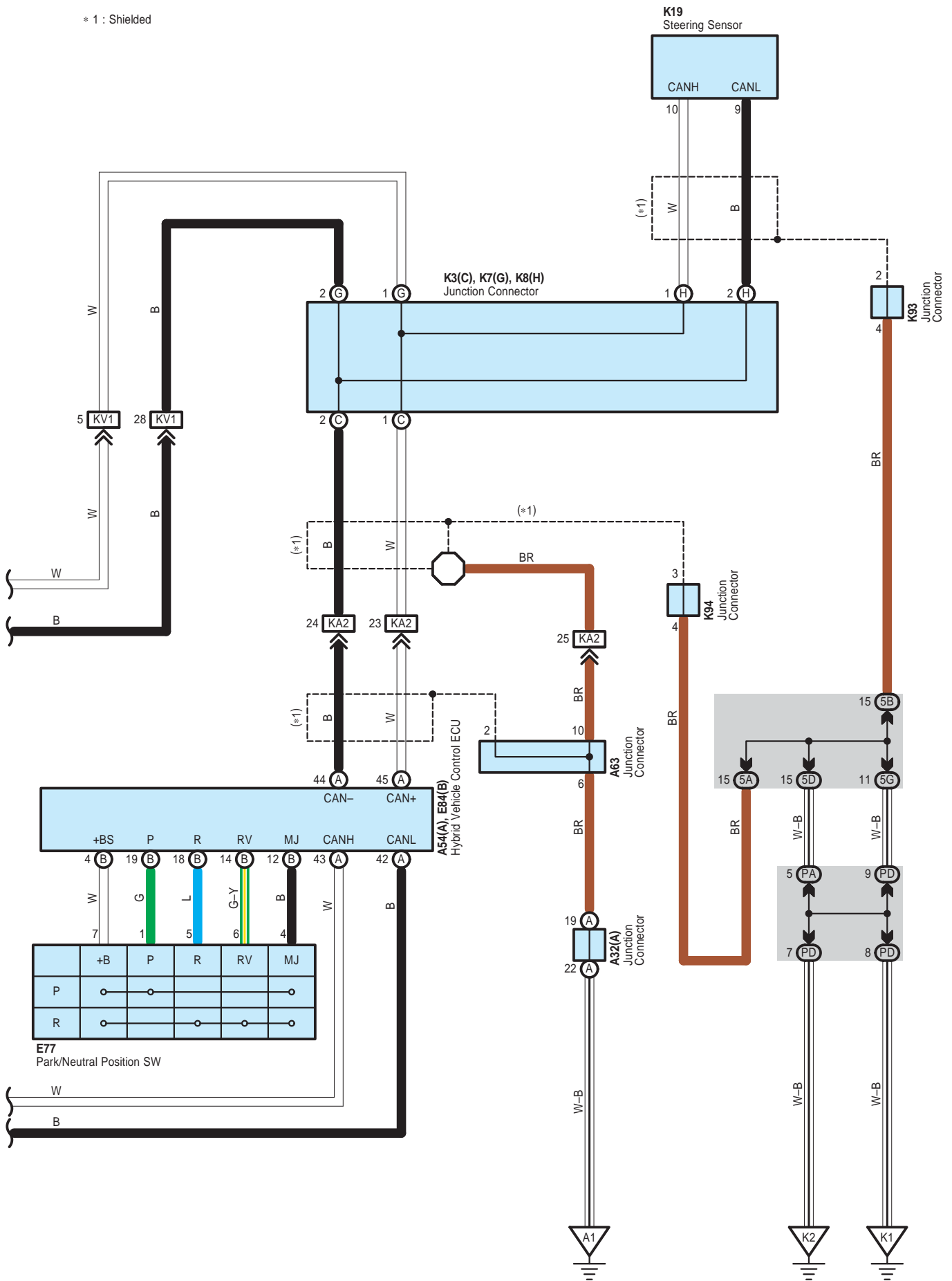






# Parking Assist (Intuitive Parking Assist)

\* 1 : Shielded



### System Outline

It is a driving support system which watches objects around the vehicle and displays judgment whether the vehicle contacts or does not contact the object from input information from the steering angle sensor.

### ○ : Parts Location

| Code | See Page | Code | See Page | Code | See Page |
|------|----------|------|----------|------|----------|
| A10  | A 80     | K22  | 85       | K94  | 86       |
| A11  | B 80     | K31  | 85       | K95  | 86       |
| A13  | A 80     | K32  | 85       | K96  | 86       |
| A15  | C 80     | K44  | 86       | M4   | 88       |
| A29  | 84       | K45  | 86       | M9   | 88       |
| A30  | A 84     | K47  | 86       | O3   | 88       |
| A32  | A 84     | K52  | 86       | O7   | 88       |
| A33  | B 84     | K53  | A 86     | Q13  | 89       |
| A38  | 84       | K56  | C 86     | U28  | 90       |
| A54  | A 80     | K66  | 86       | V2   | C 87     |
| A63  | 84       | K68  | B 86     | V3   | D 87     |
| D1   | 83       | K70  | C 86     | V26  | A 91     |
| D2   | 83       | K73  | 86       | V27  | B 91     |
| D3   | 83       | K74  | A 76, 86 | V37  | A 91     |
| D4   | 83       | K75  | C 76, 86 | V38  | B 91     |
| E77  | 81       | K81  | I 76, 86 | W4   | 92       |
| E84  | B 81     | K83  | A 78, 86 | W6   | A 92     |
| K3   | C 74, 85 | K84  | B 78, 86 | W8   | B 92     |
| K7   | G 74, 85 | K88  | F 78, 86 | Z1   | 93       |
| K8   | H 74, 85 | K91  | 86       | Z2   | 93       |
| K12  | 85       | K92  | 86       | Z3   | 93       |
| K19  | 85       | K93  | 86       | Z4   | 93       |

### ○ : Relay Blocks

| Code | See Page | Relay Blocks (Relay Block Location)            |
|------|----------|------------------------------------------------|
| 1    | 24       | Engine Room R/B No.1 (Engine Compartment Left) |

# Parking Assist (Intuitive Parking Assist)

## : Junction Block and Wire Harness Connector

| Code | See Page | Junction Block and Wire Harness (Connector Location)                                       |
|------|----------|--------------------------------------------------------------------------------------------|
| 1X   | 29       | Engine Room Main Wire and Engine Room J/B No.1 (Engine Compartment left)                   |
| 4A   | 70       | Instrument Panel Wire and Center J/B RH (Right Side of the Instrument Panel Reinforcement) |
| 4C   |          |                                                                                            |
| 4D   |          |                                                                                            |
| 4E   |          |                                                                                            |
| 4F   |          |                                                                                            |
| 4I   |          |                                                                                            |
| 4J   |          |                                                                                            |
| 4K   |          |                                                                                            |
| 4L   | 66       | Instrument Panel Wire and Center J/B LH (Right Side of the Instrument Panel Reinforcement) |
| 5A   |          |                                                                                            |
| 5B   |          |                                                                                            |
| 5D   |          |                                                                                            |
| 5E   |          |                                                                                            |
| 5G   | 55       | Instrument Panel Wire and Cowl Side J/B RH (Behind the Glove Box)                          |
| 5K   |          |                                                                                            |
| 5L   |          |                                                                                            |
| DA   |          |                                                                                            |
| DD   | 56       | Engine Room Main Wire and Cowl Side J/B RH (Behind the Glove Box)                          |
| DK   | 63       | Floor No.2 Wire and Luggage Room J/B (Left Side of the Quarter Panel )                     |
| LC   | 49       | Instrument Panel Wire and Cowl Side J/B LH (Lower Finish Panel)                            |
| PA   |          |                                                                                            |
| PD   | 50       | Floor No.2 Wire and Cowl Side J/B LH (Lower Finish Panel)                                  |
| PJ   | 50       | Engine Room Main Wire and Cowl Side J/B LH (Lower Finish Panel)                            |
| PK   |          |                                                                                            |
| PL   |          |                                                                                            |

## : Connector Joining Wire Harness and Wire Harness

| Code | See Page | Joining Wire Harness and Wire Harness (Connector Location)                     |
|------|----------|--------------------------------------------------------------------------------|
| AD1  | 96       | Engine Room Main Wire and Engine Room No.4 Wire (Near the Headlamp LH)         |
| AV1  | 97       | Engine Room Main Wire and Floor No.2 Wire (Cowl Side Panel LH)                 |
| KA2  | 97       | Instrument Panel Wire and Engine Room Main Wire (Left Kick Panel)              |
| KA3  | 97       | Instrument Panel Wire and Engine Room Main Wire (Right Kick Panel)             |
| KU2  | 97       | Instrument Panel Wire and Floor No.1 Wire (Right Kick Panel)                   |
| KV1  | 97       | Instrument Panel Wire and Floor No.2 Wire (Left Kick Panel)                    |
| KW2  | 97       | Instrument Panel Wire and Roof Wire (Left Side of the Instrument Panel)        |
| MQ2  | 98       | Front Door LH Wire and Front Door LH No.2 Wire (Front Door Inner Panel LH)     |
| MU2  | 97       | Front Door RH Wire and Floor No.1 Wire (Right Kick Panel)                      |
| MV2  | 97       | Front Door LH Wire and Floor No.2 Wire (Left Kick Panel)                       |
| OU1  | 98       | Rear Door No.1 Wire and Floor No.1 Wire (Right Center Pillar)                  |
| OV1  | 98       | Rear Door No.2 Wire and Floor No.2 Wire (Left Center Pillar)                   |
| UV1  | 98       | Floor No.1 Wire and Floor No.2 Wire (Center of the Rear Floor Partition Panel) |
| VX1  | 98       | Floor No.2 Wire and Luggage Room Wire (Quarter Wheel House Inner Panel LH)     |
| ZX1  | 98       | Luggage Room No.3 Wire and Luggage Room Wire (Lower Back Panel LH)             |

## : Ground Points

| Code | See Page | Ground Points Location       |
|------|----------|------------------------------|
| A1   | 96       | Left Side of the Dash Panel  |
| K1   | 97       | Left Kick Panel              |
| K2   | 97       | Left Side of the Shift Lever |
| K4   | 97       | Right Kick Panel             |

