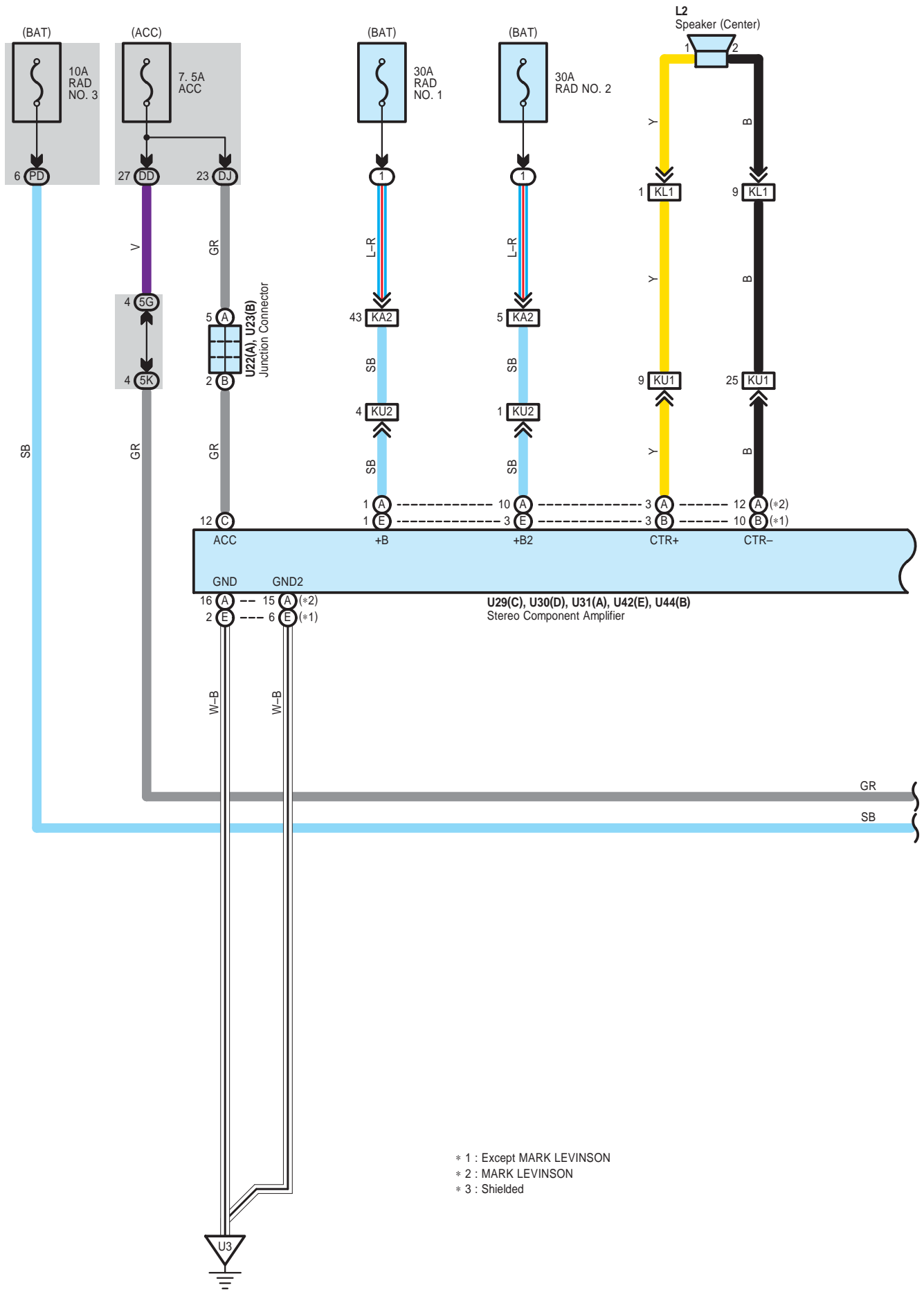
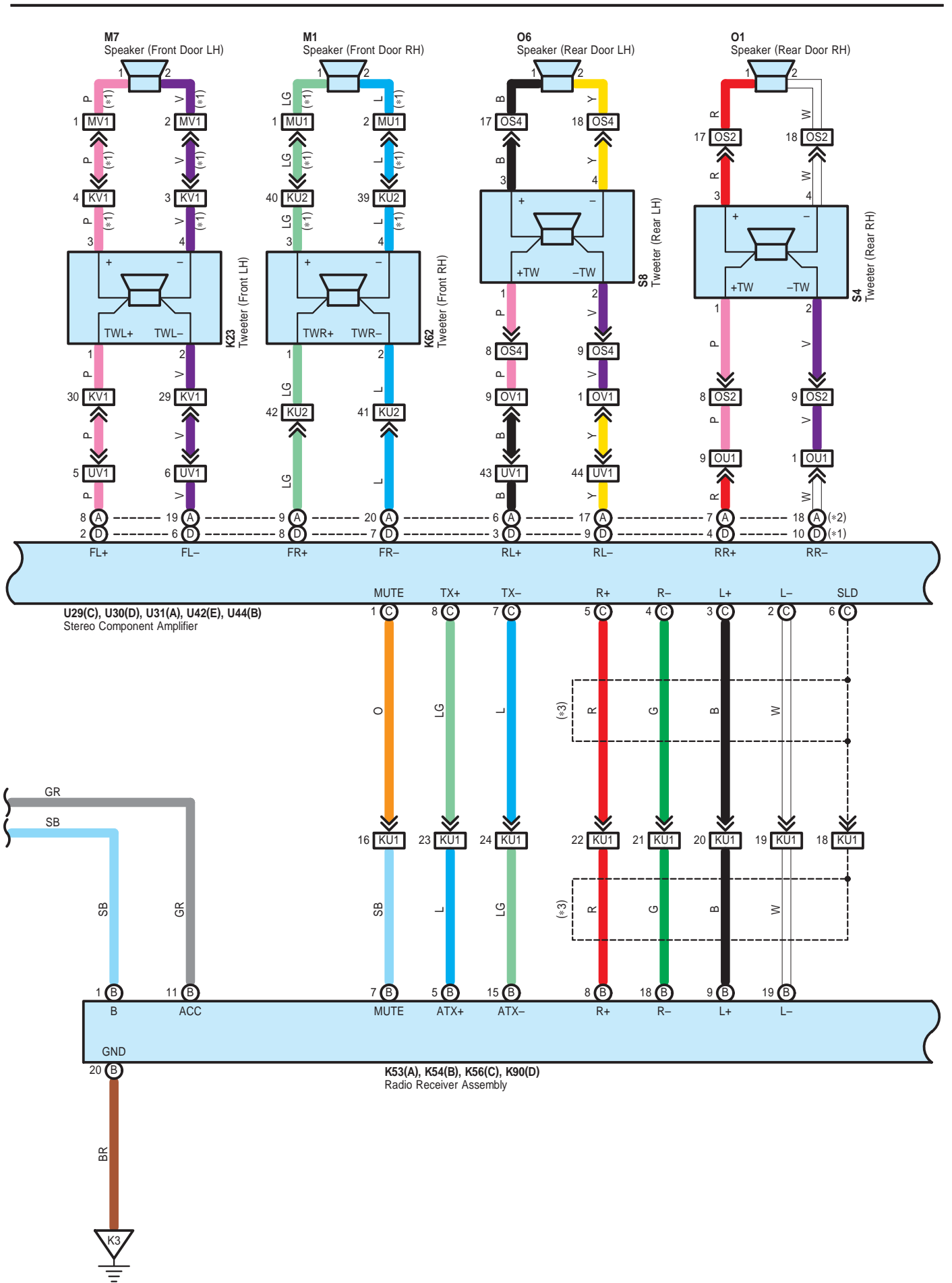
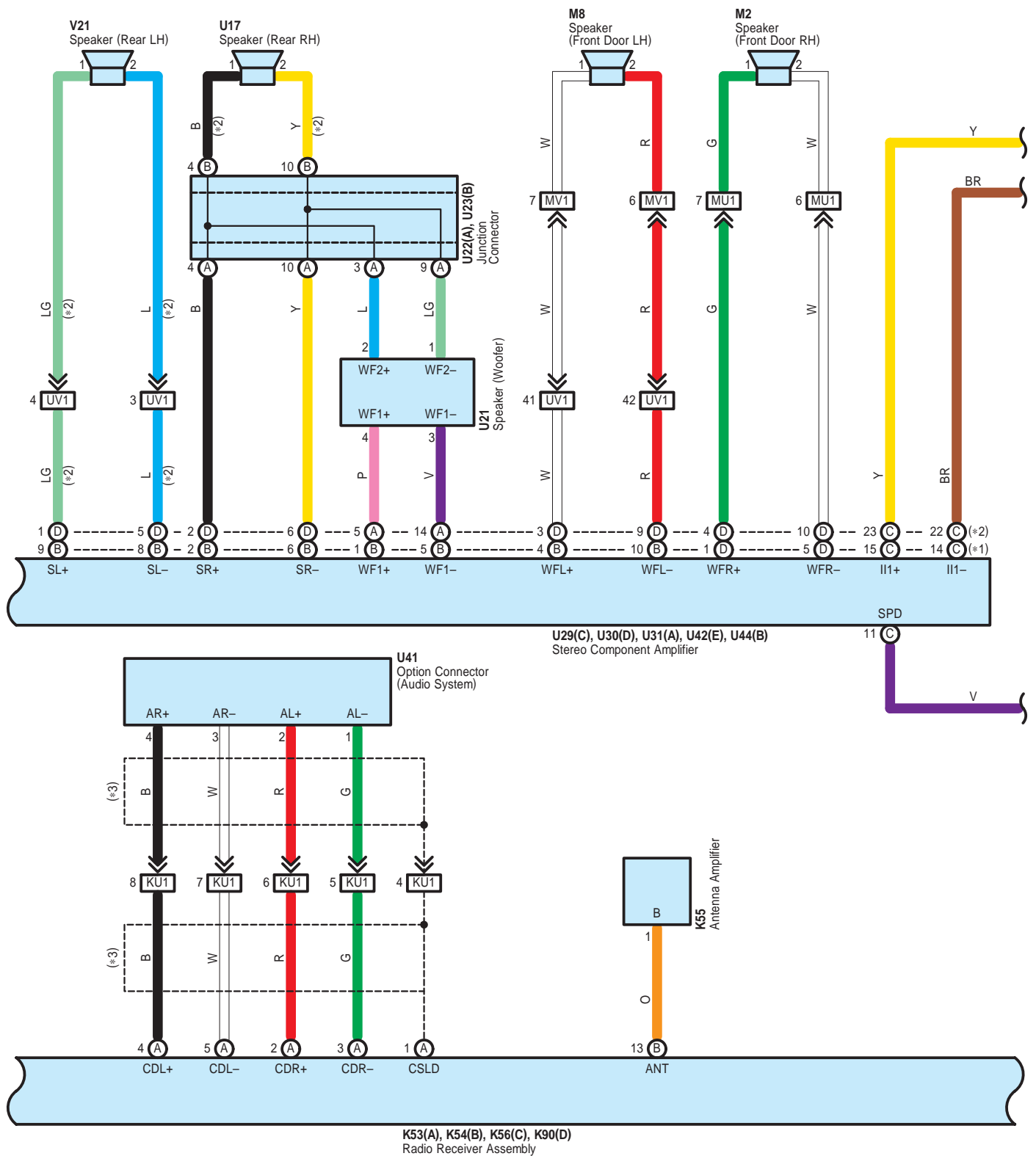


# Navigation, Parking Assist (Rear View Monitor) and Audio System

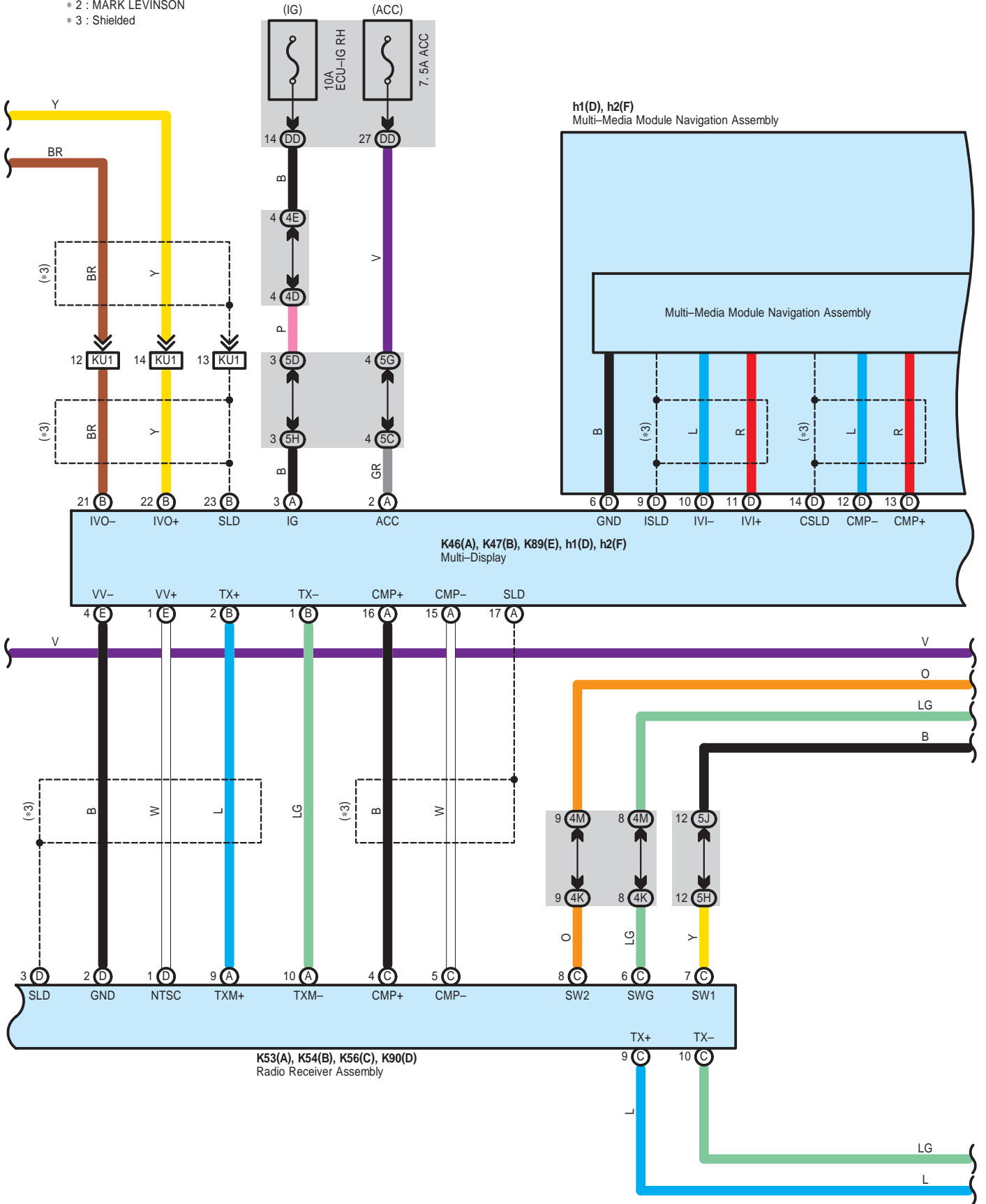




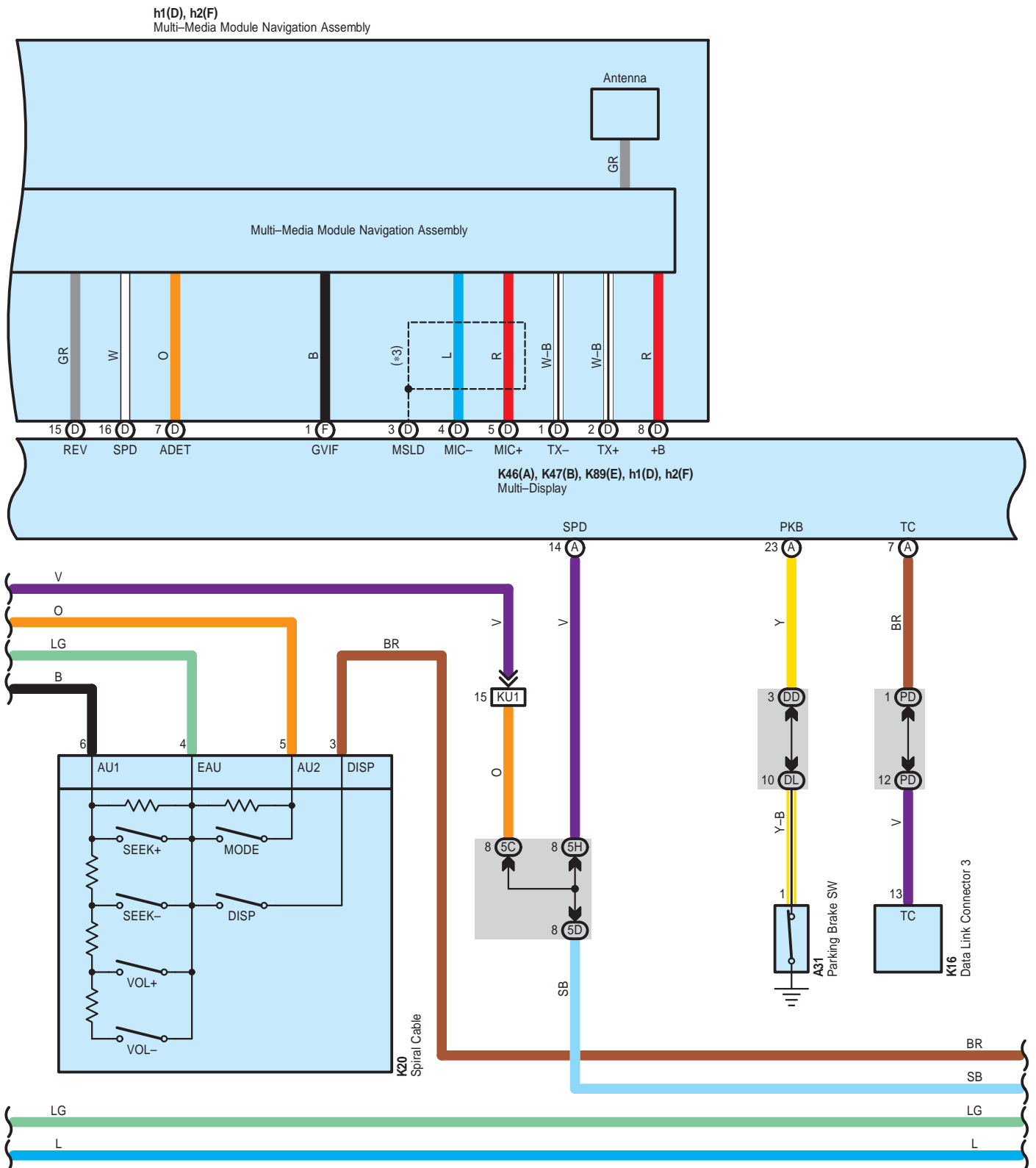
# Navigation, Parking Assist (Rear View Monitor) and Audio System

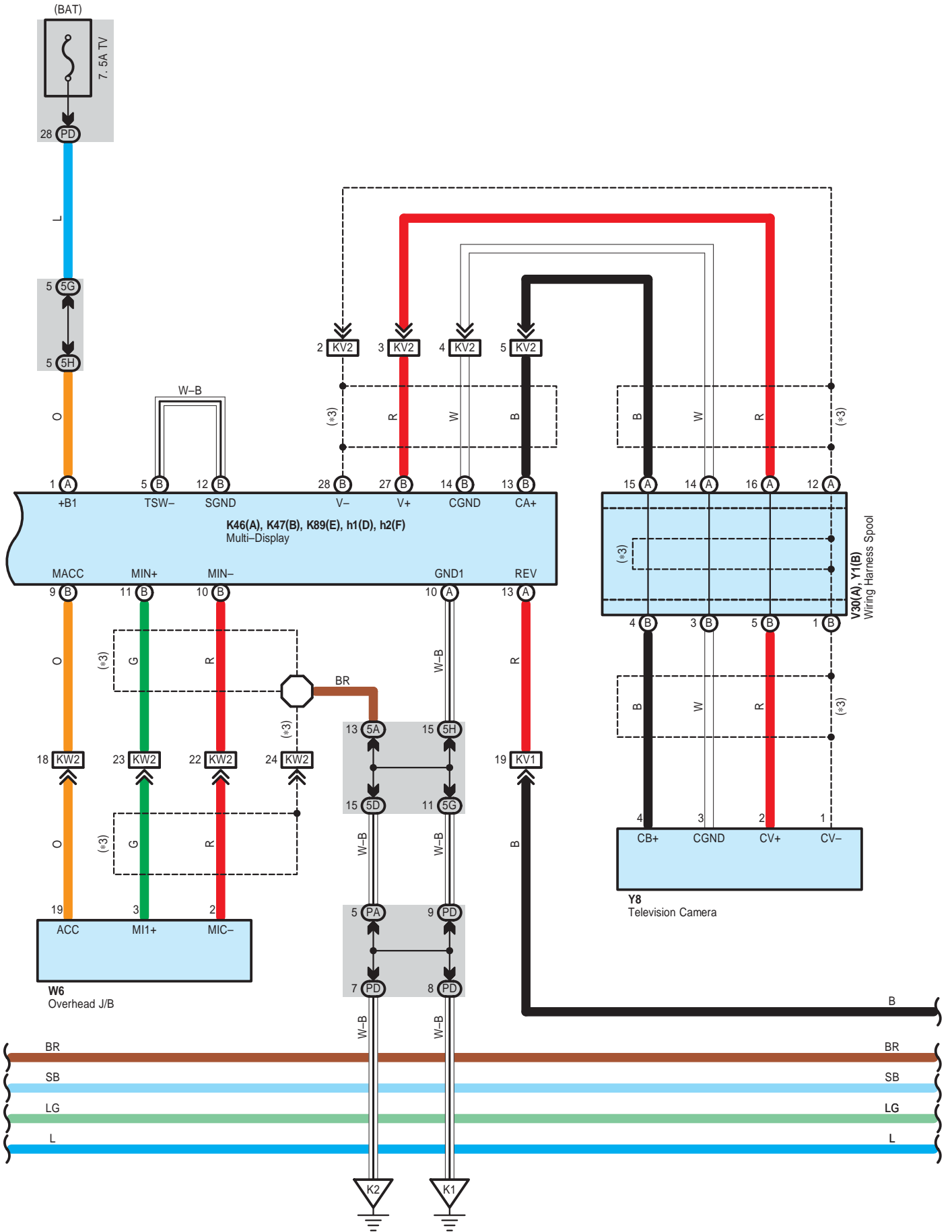


- \* 1 : Except MARK LEVINSON
- \* 2 : MARK LEVINSON
- \* 3 : Shielded

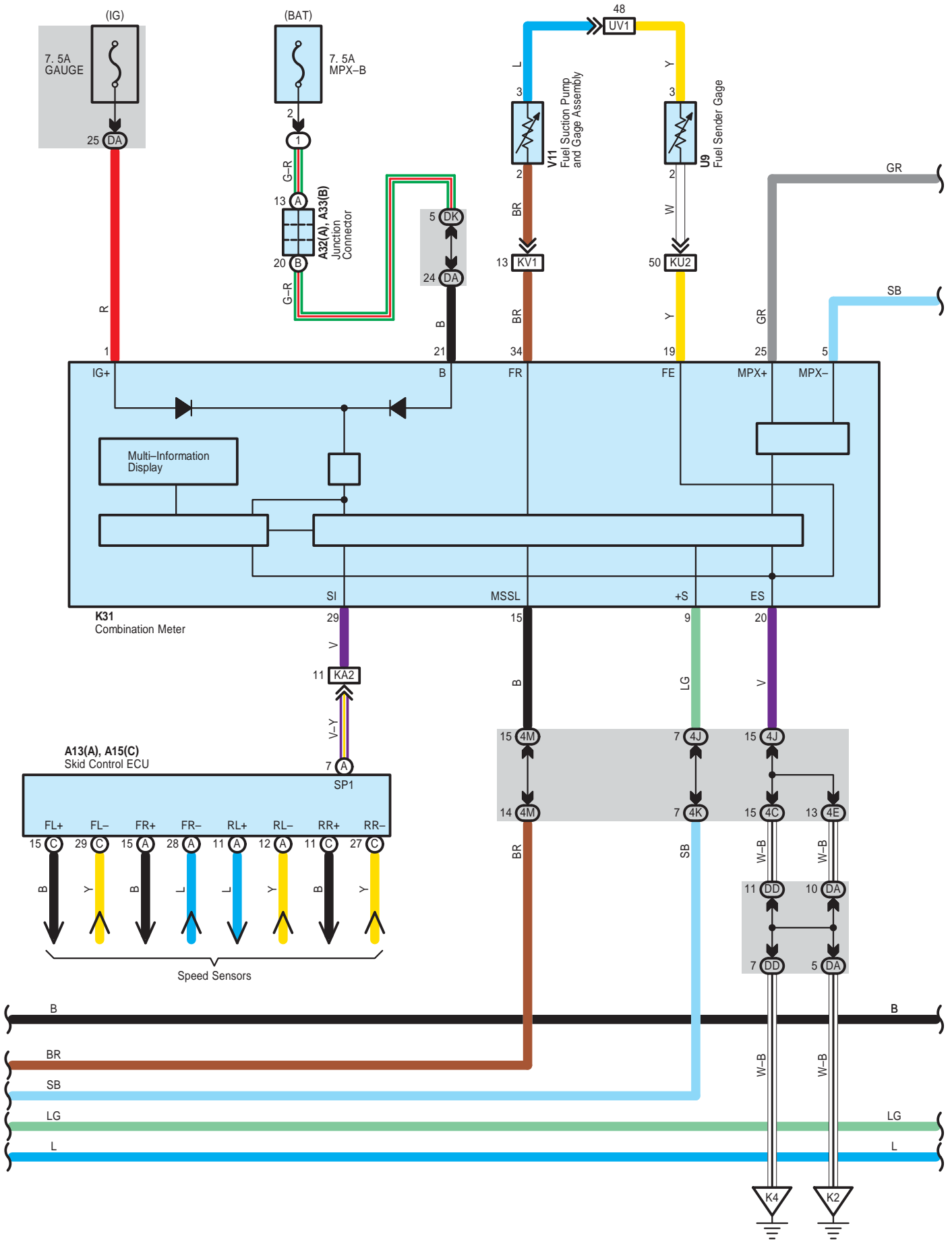


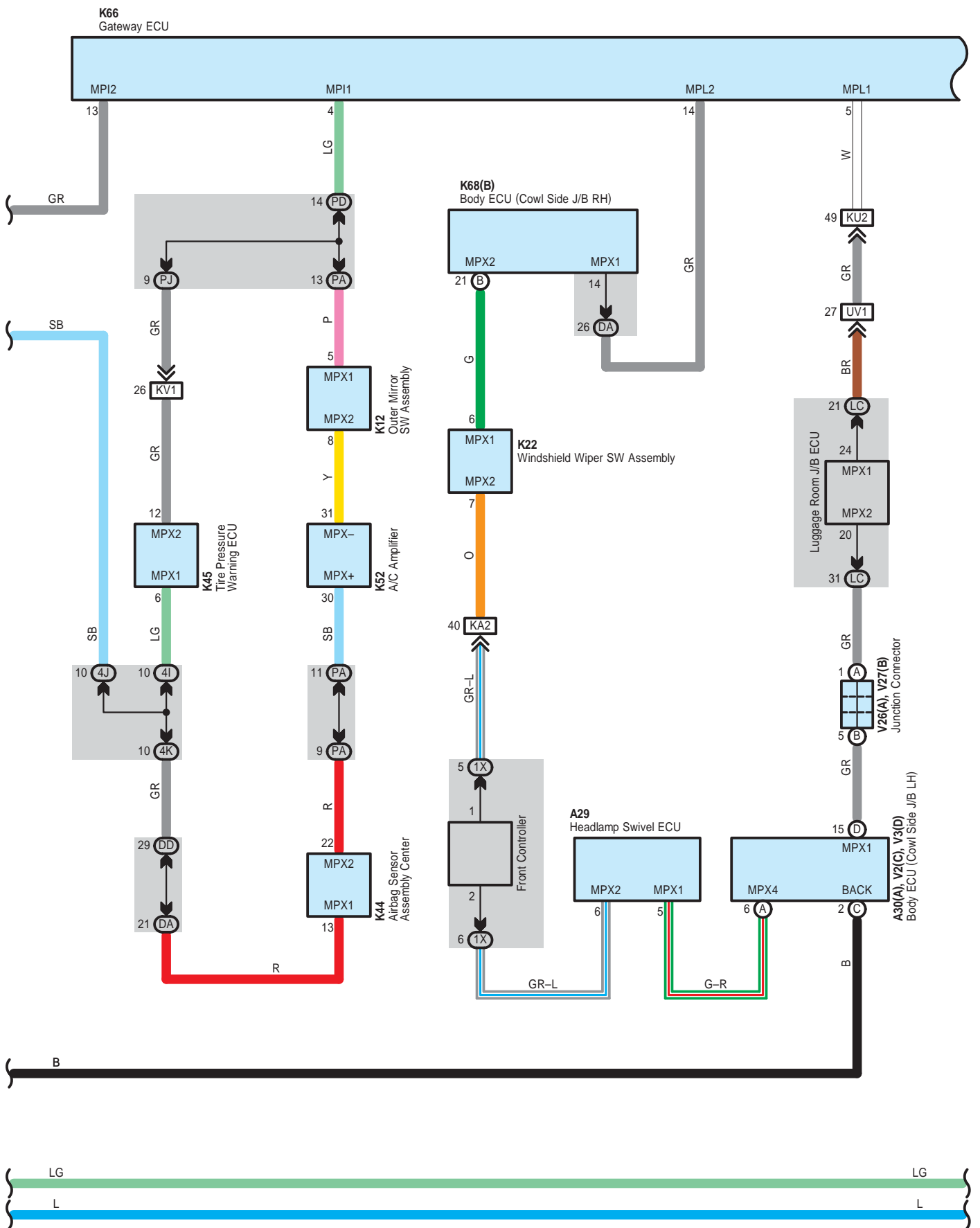
# Navigation, Parking Assist (Rear View Monitor) and Audio System





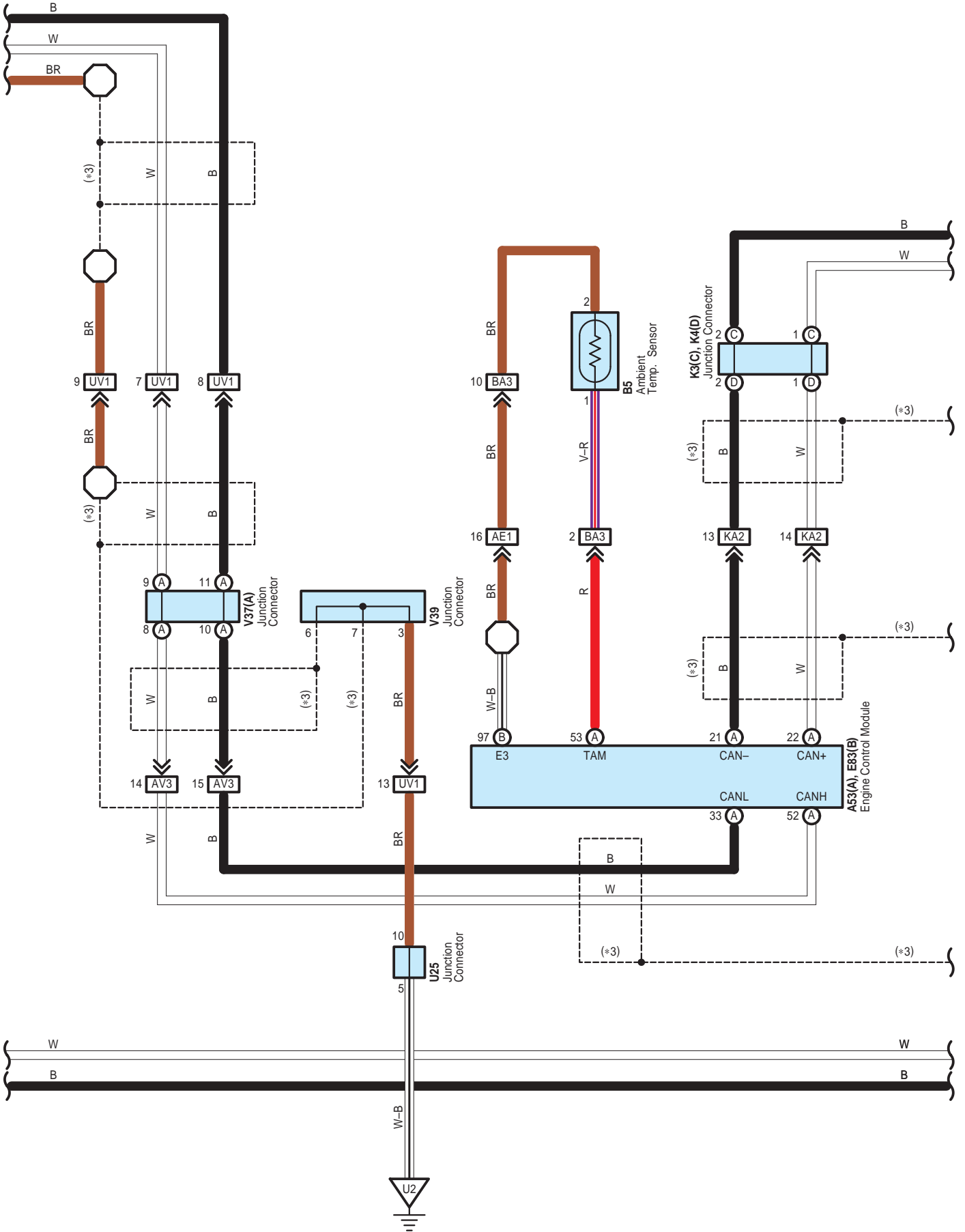
# Navigation, Parking Assist (Rear View Monitor) and Audio System







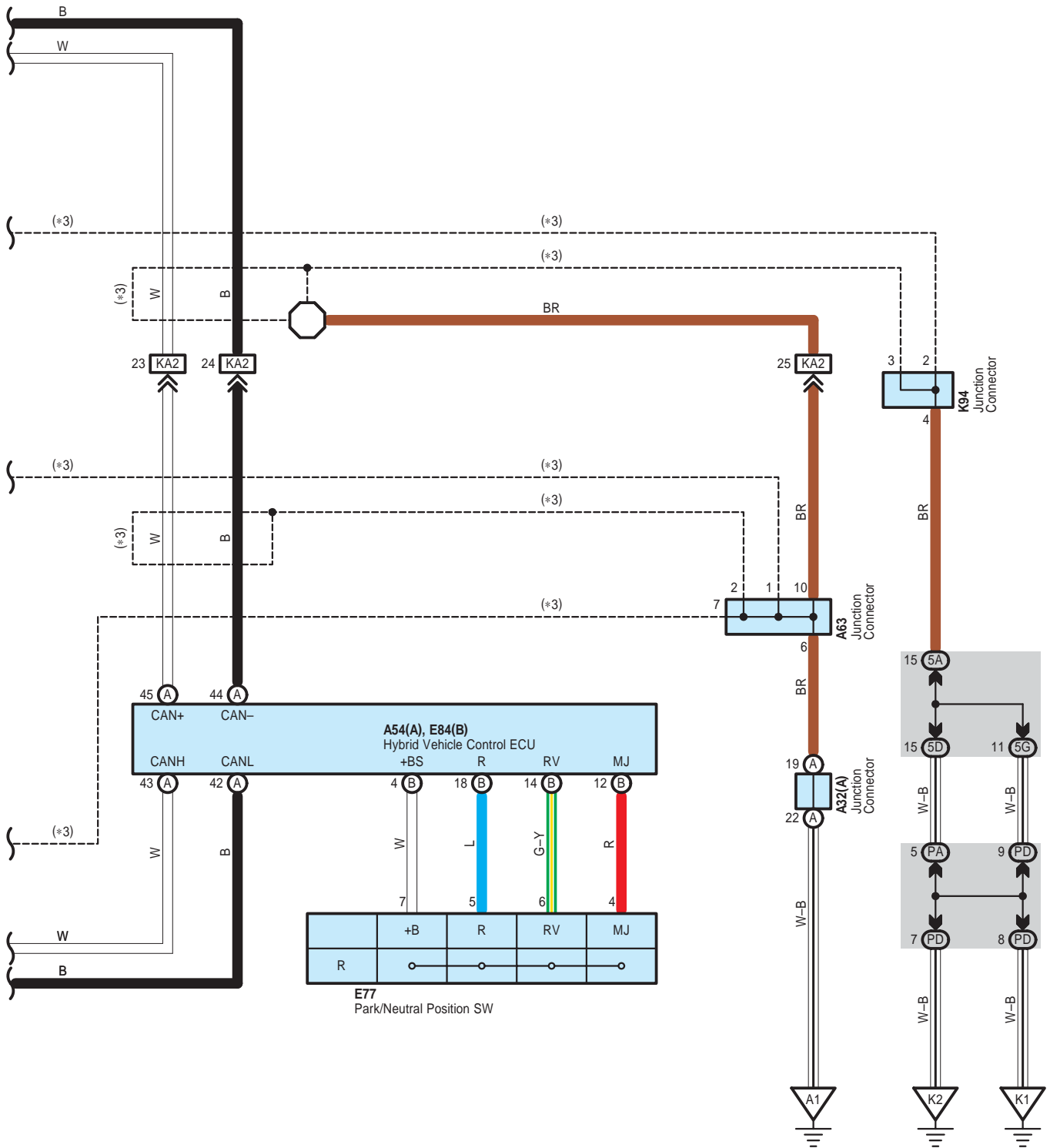




LEXUS GS 450h (EM02D0U)

# Navigation, Parking Assist (Rear View Monitor) and Audio System

\* 3 : Shielded



**○ : Parts Location**

Code	See Page	Code	See Page	Code	See Page
A13	A 80	K52	86	U17	90
A15	C 80	K53	A 86	U21	90
A29	84	K54	B 86	U22	A 90
A30	A 84	K55	86	U23	B 90
A31	84	K56	C 86	U25	90
A32	A 84	K62	86	U29	C 90
A33	B 84	K66	86	U30	D 90
A53	A 80	K68	B 86	U31	A 90
A54	A 80	K83	A 78, 86	U41	90
A63	84	K84	B 78, 86	U42	E 90
B5	82	K87	E 78, 86	U44	B 90
E77	81	K89	E 86	V2	C 87
E83	B 81	K90	D 86	V3	D 87
E84	B 81	K94	86	V11	91
K3	C 74, 85	K95	86	V21	91
K4	D 74, 85	K96	86	V26	A 91
K12	85	L2	87	V27	B 91
K16	85	M1	88	V30	A 91
K20	85	M2	88	V37	A 91
K22	85	M7	88	V39	91
K23	85	M8	88	W6	92
K31	85	O1	88	Y1	B 92
K44	86	O6	88	Y8	92
K45	86	S4	89	h1	D 87
K46	A 86	S8	89	h2	F 87
K47	B 86	U9	90		

**○ : Relay Blocks**

Code	See Page	Relay Blocks (Relay Block Location)
1	24	Engine Room R/B No.1 (Engine Compartment Left)

# Navigation, Parking Assist (Rear View Monitor) and Audio System

## : Junction Block and Wire Harness Connector

Code	See Page	Junction Block and Wire Harness (Connector Location)
1X	29	Engine Room Main Wire and Engine Room J/B No.1 (Engine Compartment left)
4C	70	Instrument Panel Wire and Center J/B RH (Right Side of the Instrument Panel Reinforcement)
4D		
4E		
4F		
4I		
4J		
4K		
4M		
5A	66	Instrument Panel Wire and Center J/B LH (Right Side of the Instrument Panel Reinforcement)
5C		
5D		
5G		
5H		
5J		
5K		
5L		
DA	55	Instrument Panel Wire and Cowl Side J/B RH (Behind the Glove Box)
DD		
DJ	56	Floor Wire and Cowl Side J/B RH (Behind the Glove Box)
DK	56	Engine Room Main Wire and Cowl Side J/B RH (Behind the Glove Box)
DL		
LC	63	Floor No.2 Wire and Luggage Room J/B (Left Side of the Quarter Panel )
PA	49	Instrument Panel Wire and Cowl Side J/B LH (Lower Finish Panel)
PD		
PJ	50	Floor No.2 Wire and Cowl Side J/B LH (Lower Finish Panel)

## : Connector Joining Wire Harness and Wire Harness

Code	See Page	Joining Wire Harness and Wire Harness (Connector Location)
AE1	96	Engine Room Main Wire and Engine Wire (Inside of the ECU Box)
AV3	97	Engine Room Main Wire and Floor No.2 Wire (Cowl Side Panel LH)
BA3	96	Engine Room No.2 Wire and Engine Room Main Wire (Inside of the Engine Room R/B No.2 )
KA2	97	Instrument Panel Wire and Engine Room Main Wire (Left Kick Panel)
KA3	97	Instrument Panel Wire and Engine Room Main Wire (Right Kick Panel)
KL1	97	Instrument Panel Wire and Instrument Panel No.2 Wire (Center of the Instrument Panel)
KU1	97	Instrument Panel Wire and Floor No.1 Wire (Under the Console Box)
KU2	97	Instrument Panel Wire and Floor No.1 Wire (Right Kick Panel)
KV1	97	Instrument Panel Wire and Floor No.2 Wire (Left Kick Panel)
KV2	97	Instrument Panel Wire and Floor No.2 Wire (Under the Console Box)
KW2	97	Instrument Panel Wire and Roof Wire (Left Side of the Instrument Panel)
MU1	97	Front Door RH Wire and Floor No.1 Wire (Right Kick Panel)
MV1	97	Front Door LH Wire and Floor No.2 Wire (Left Kick Panel)
OS2	98	Rear Door No.1 Wire and Rear Door RH Wire (Front Door Inner Panel RH)
OS4	98	Rear Door No.2 Wire and Rear Door LH Wire (Rear Door Inner Panel LH)
OU1	98	Rear Door No.1 Wire and Floor No.1 Wire (Right Center Pillar)
OV1	98	Rear Door No.2 Wire and Floor No.2 Wire (Left Center Pillar)
UV1	98	Floor No.1 Wire and Floor No.2 Wire (Center of the Rear Floor Partition Panel)



**: Ground Points**

Code	See Page	Ground Points Location
A1	96	Left Side of the Dash Panel
K1	97	Left Kick Panel
K2	97	Left Side of the Shift Lever
K3	97	Right Side of the Shift Lever
K4	97	Right Kick Panel
U2	98	Right Side of the Rear Floor Partition Panel
U3	98	Roof Side Rear Inner Panel RH