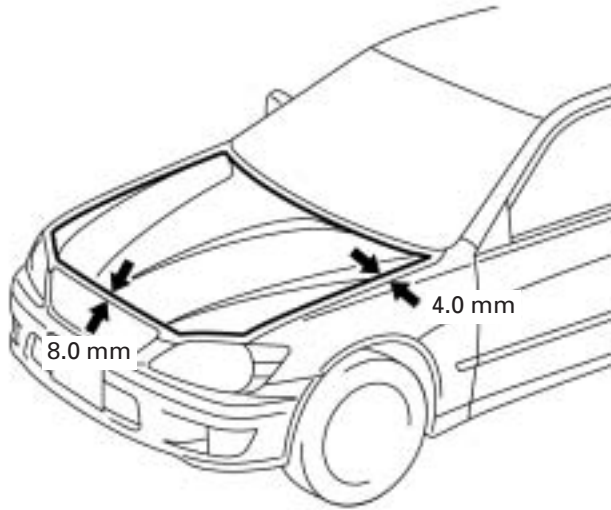


FIT STANDARDS

After doors and the engine hood are installed, be sure to perform fit adjustment to prevent abnormal wind noise and ensure a good appearance.



mm	in.
4.0	0.157
4.5	0.177
4.6	0.181
5.0	0.197
5.1	0.201
8.0	0.315

