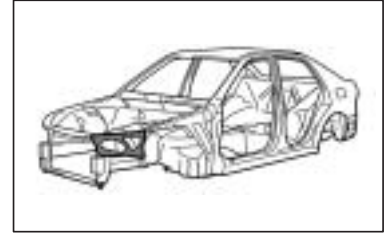
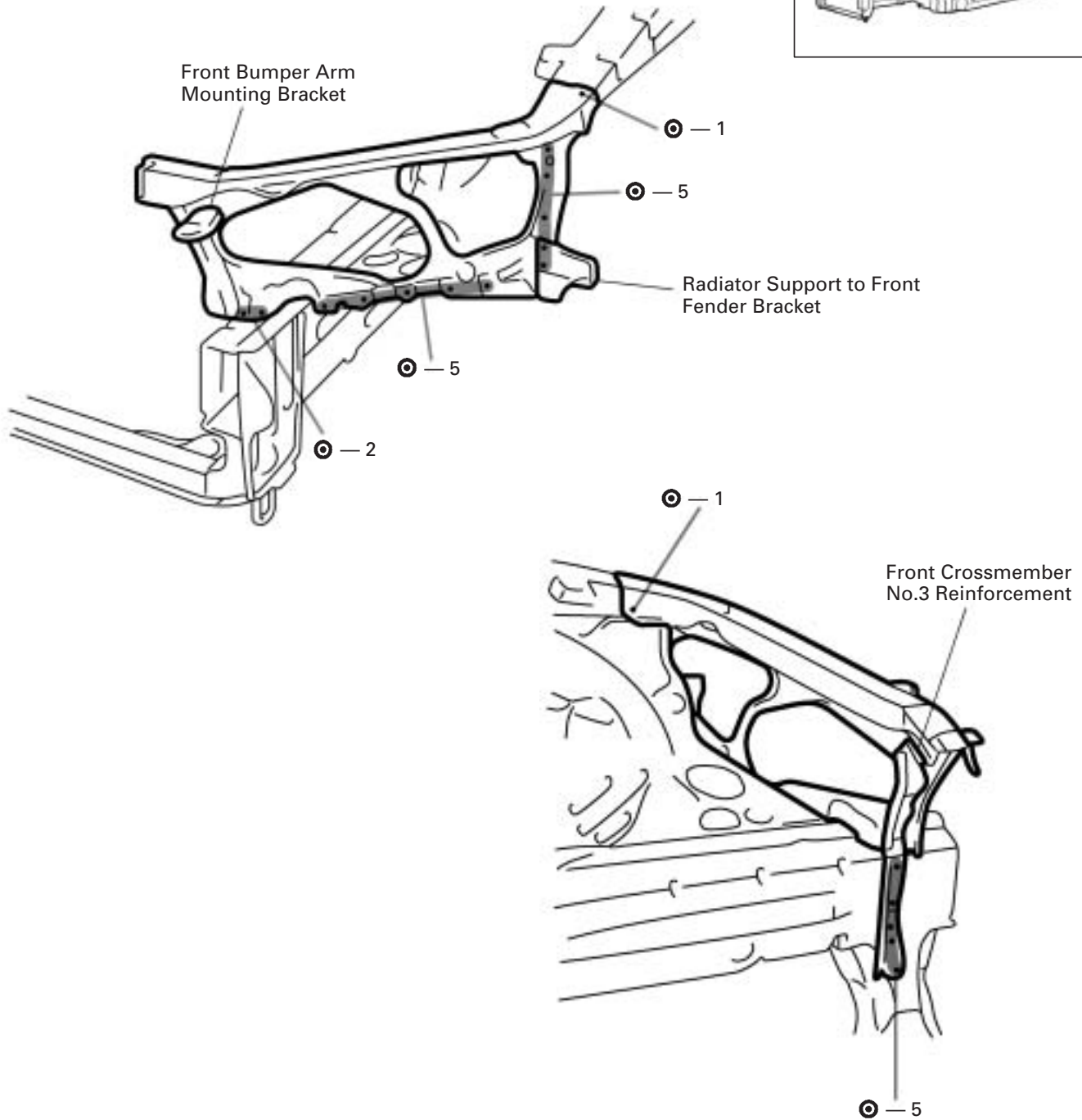
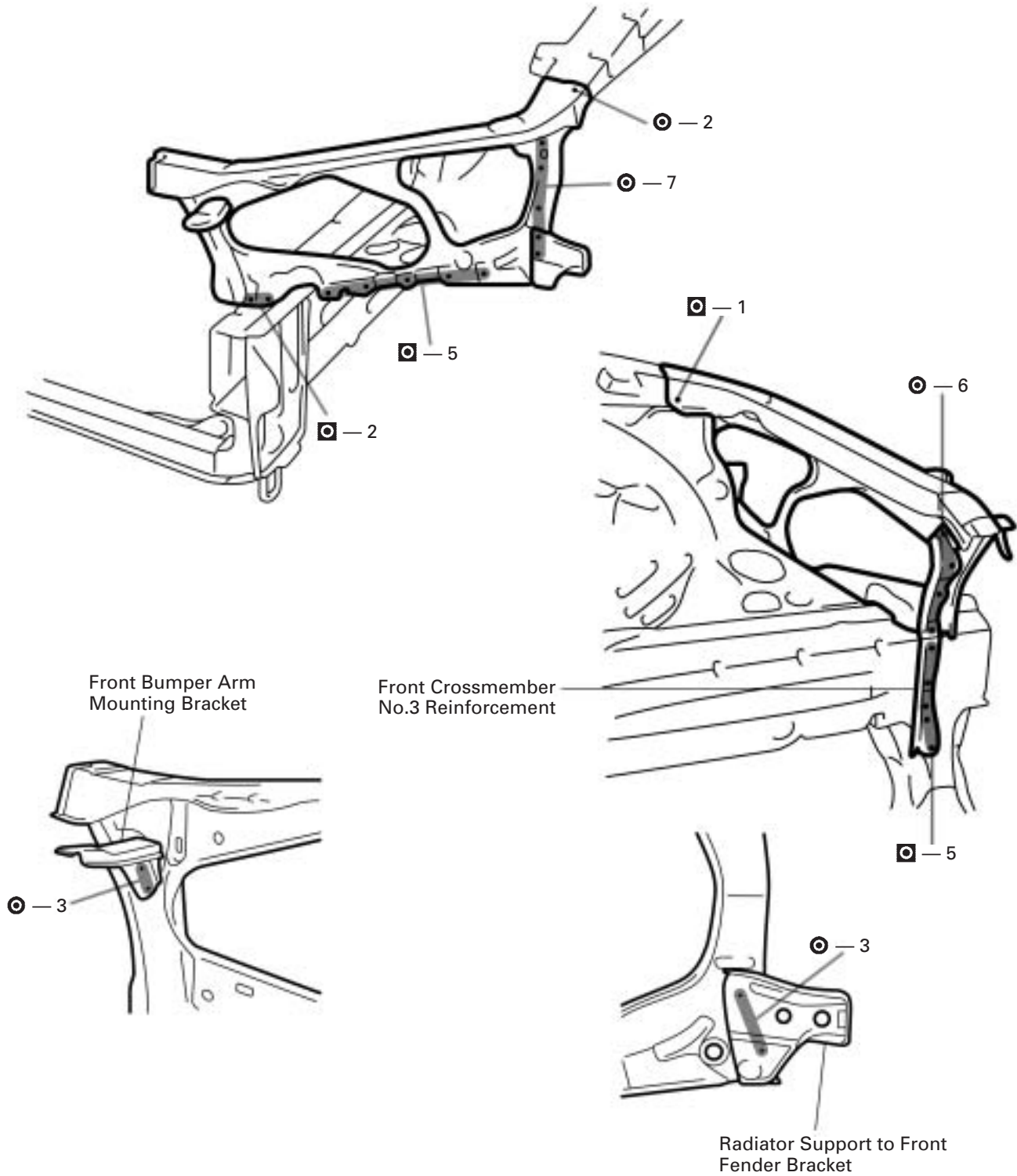


RADIATOR SIDE SUPPORT (ASSY)**REMOVAL**

1. Replace the radiator support to front fender bracket, front bumper arm mounting bracket and front crossmember No.3 reinforcement at the same time.

INSTALLATION



1. Temporarily install the new parts and measure each part in accordance with the body dimension diagram.

HINT: First install the radiator upper center support.