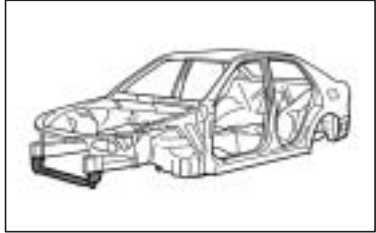
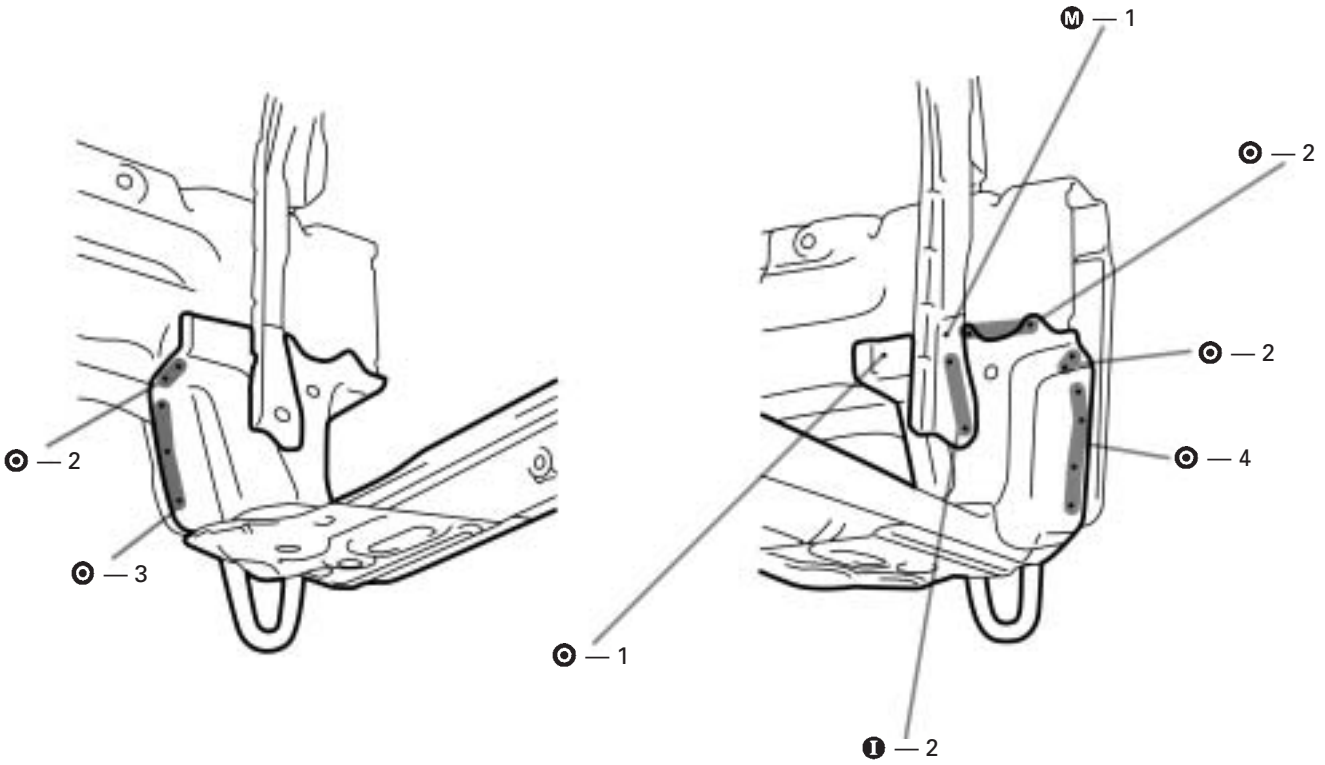
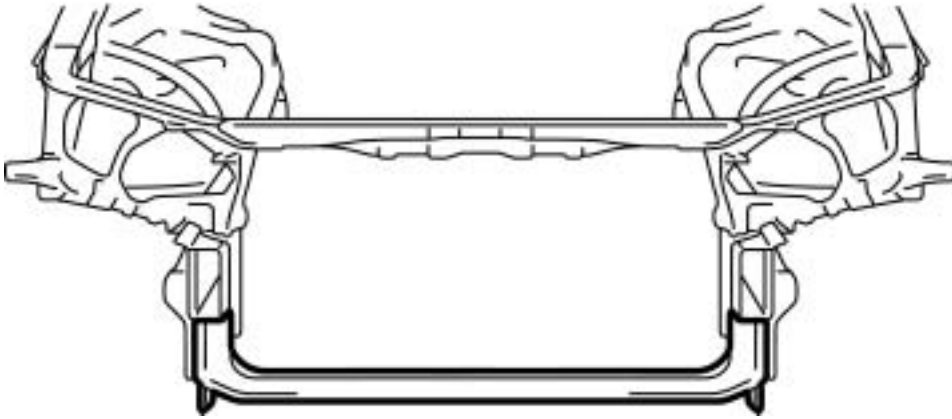


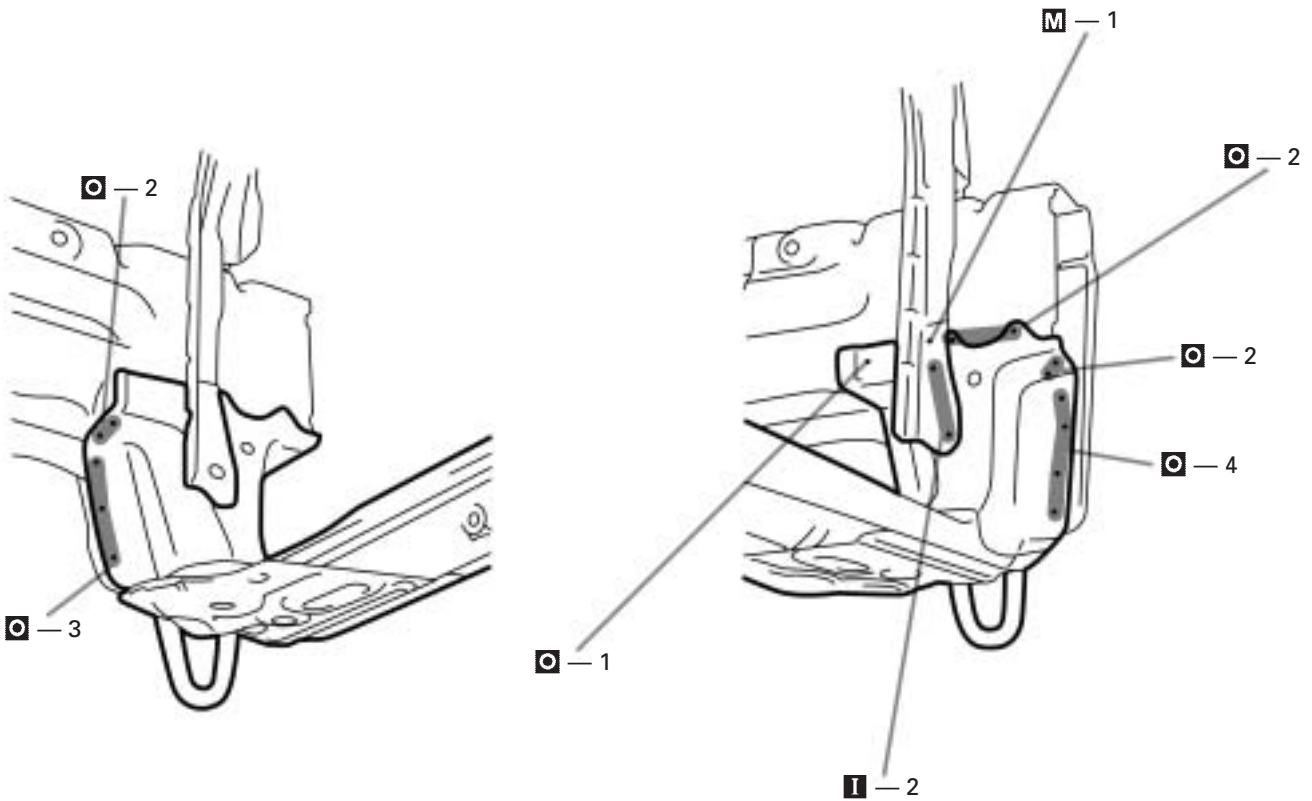
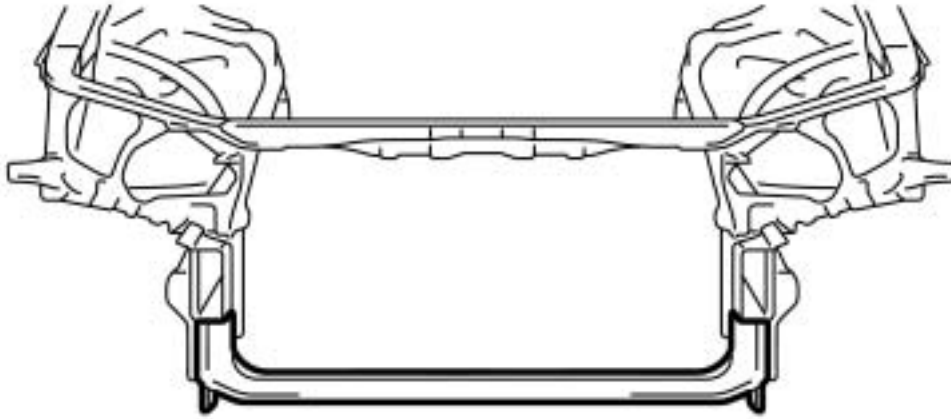
FRONT CROSSMEMBER (ASSY)



REMOVAL



INSTALLATION



1. Temporarily install the new parts and measure each part in accordance with the body dimension diagram.

HINT: First install the hood lock support.