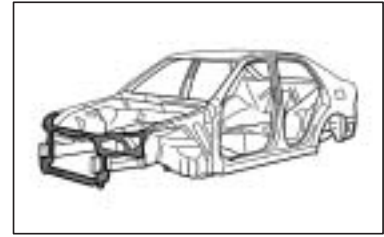
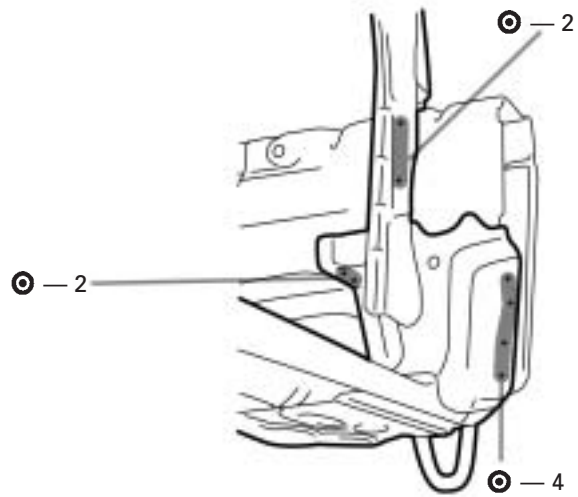
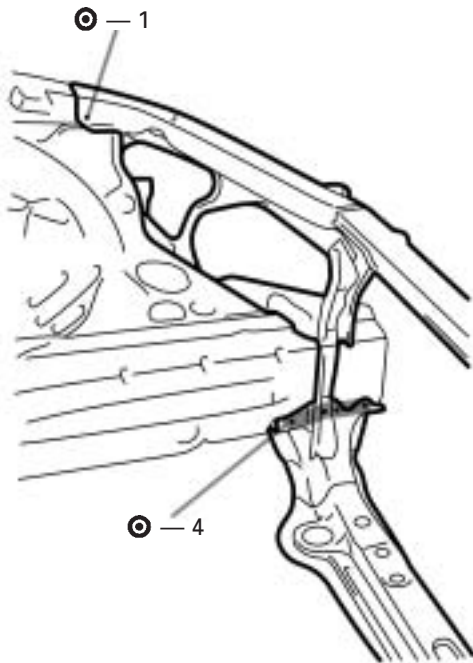
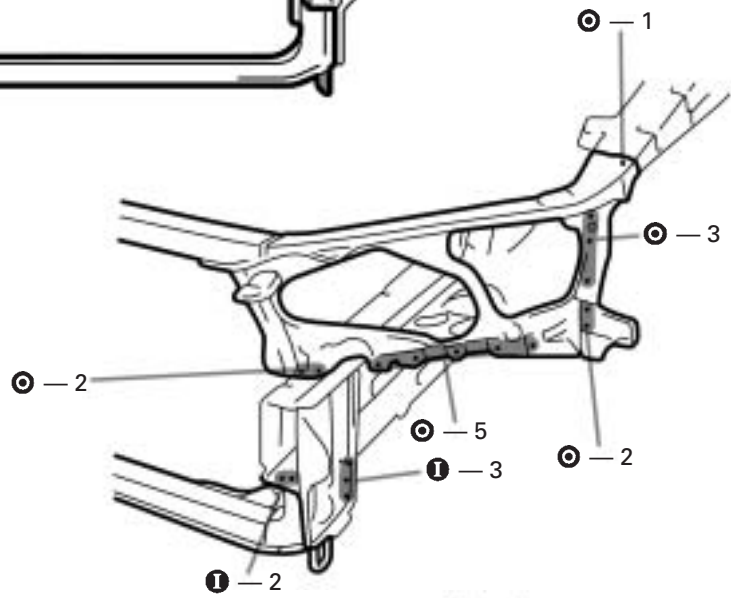
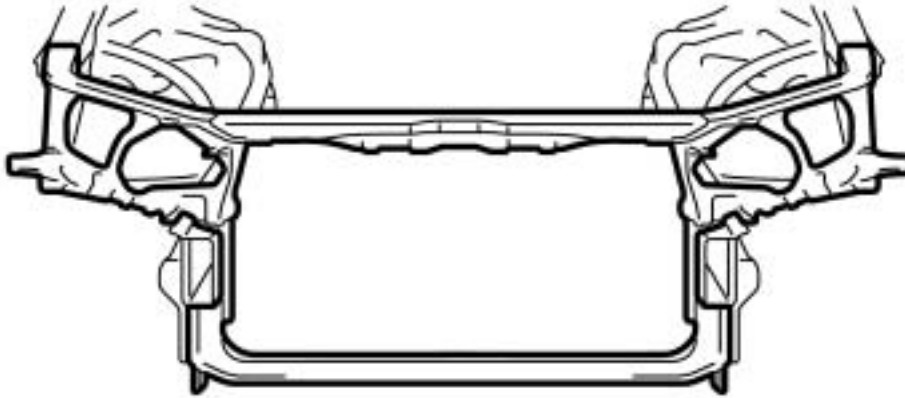


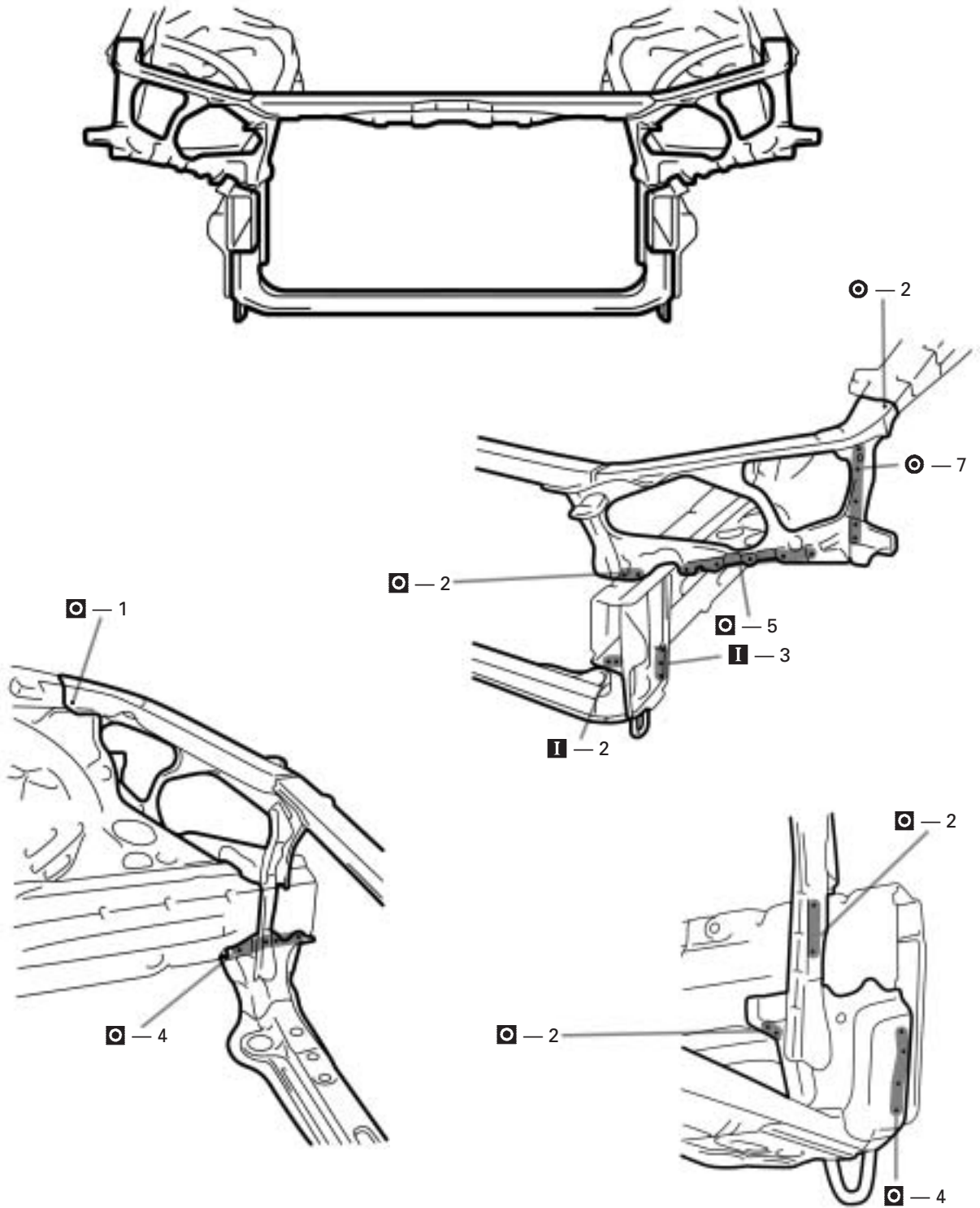
RADIATOR SUPPORT (ASSY)



REMOVAL



INSTALLATION



1. Temporarily install the new parts and measure each part in accordance with the body dimension diagram.