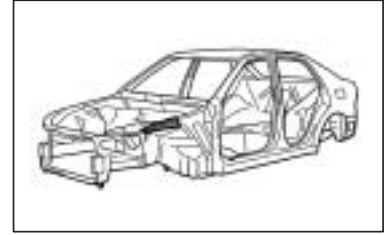
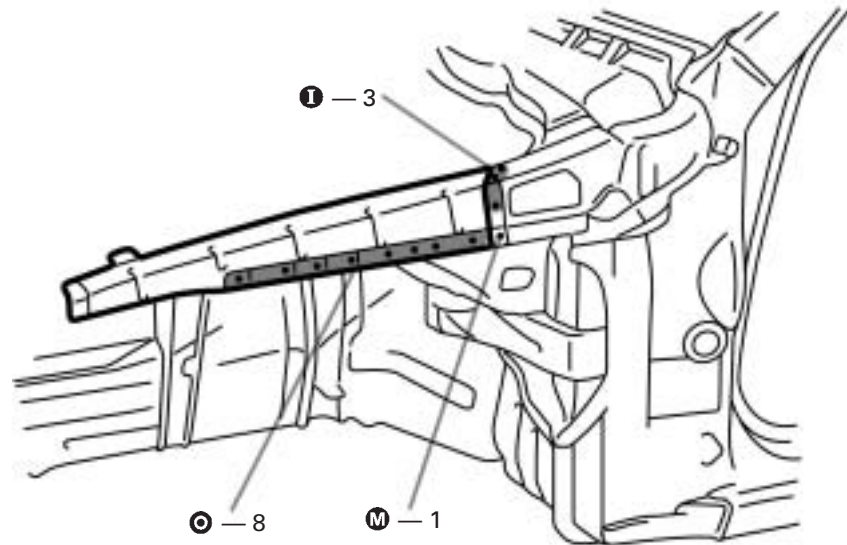
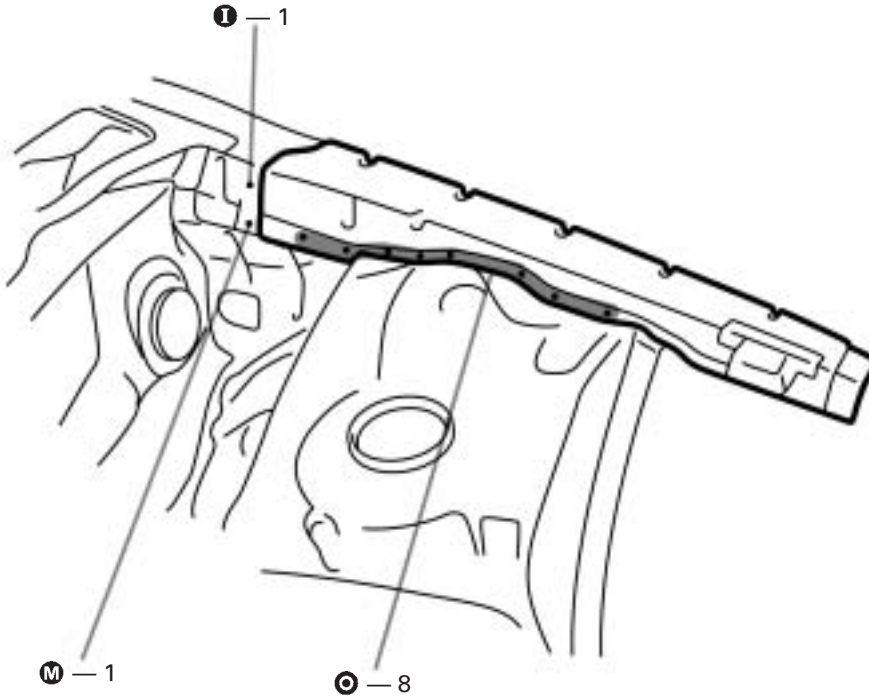


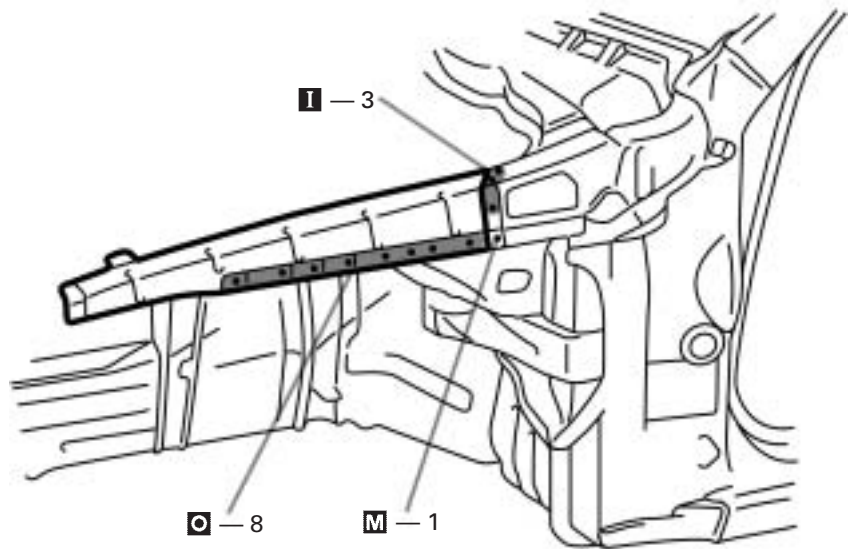
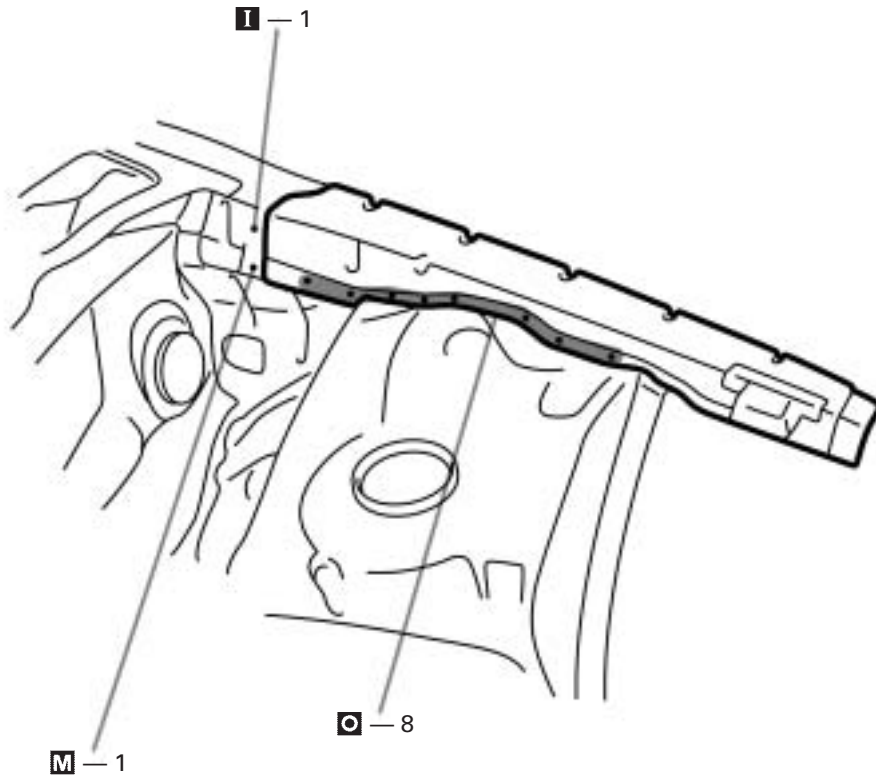
FRONT APRON TO COWL SIDE MEMBER (ASSY)



REMOVAL (With the front fender front apron and front body pillar lower gusset removed.)



INSTALLATION



1. Temporarily install the new parts and measure each part in accordance with the body dimension diagram.
2. Temporarily install the front fender and hood, and check the fit.