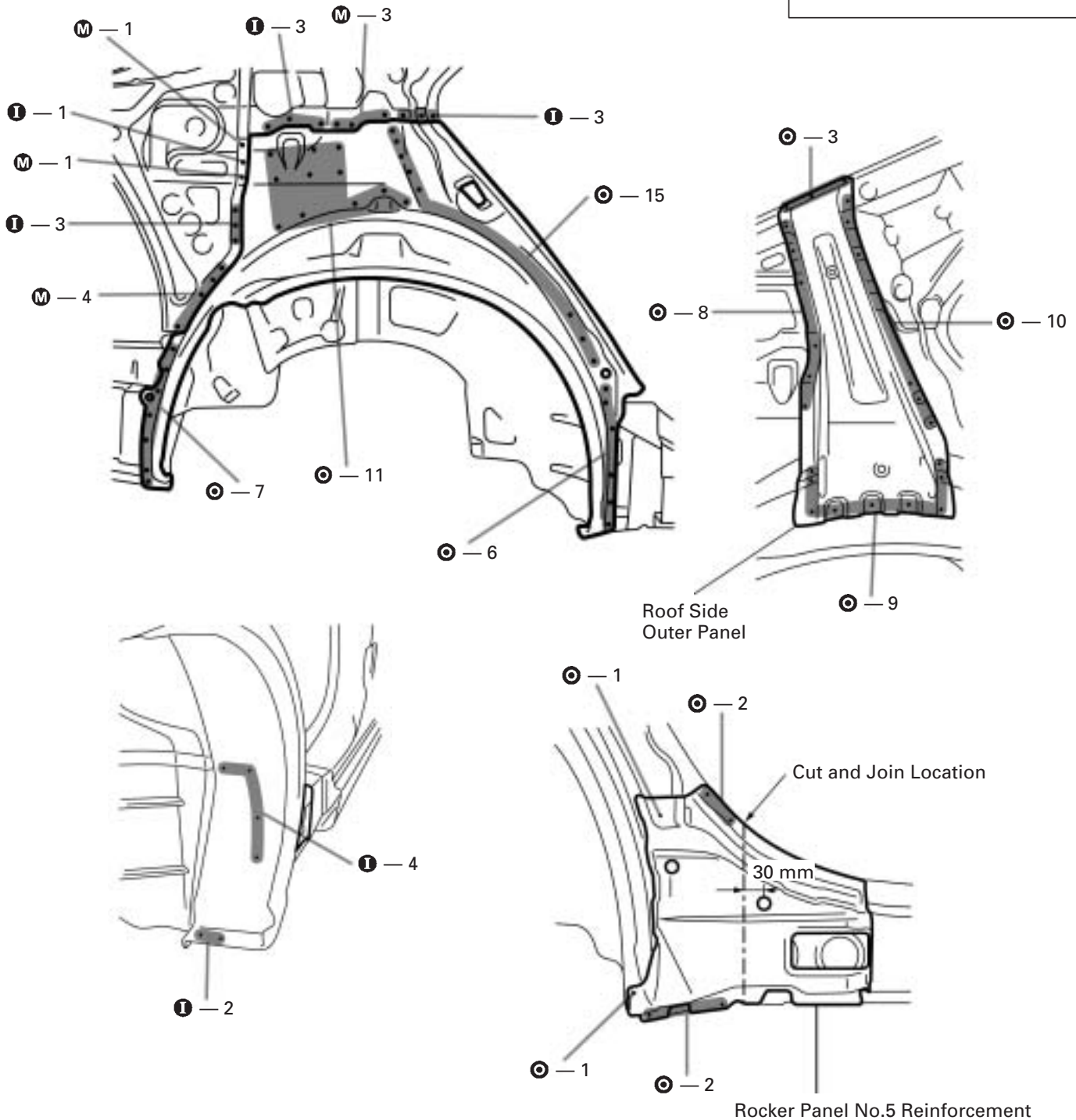


## QUARTER WHEEL HOUSING OUTER PANEL (ASSY): Right Side



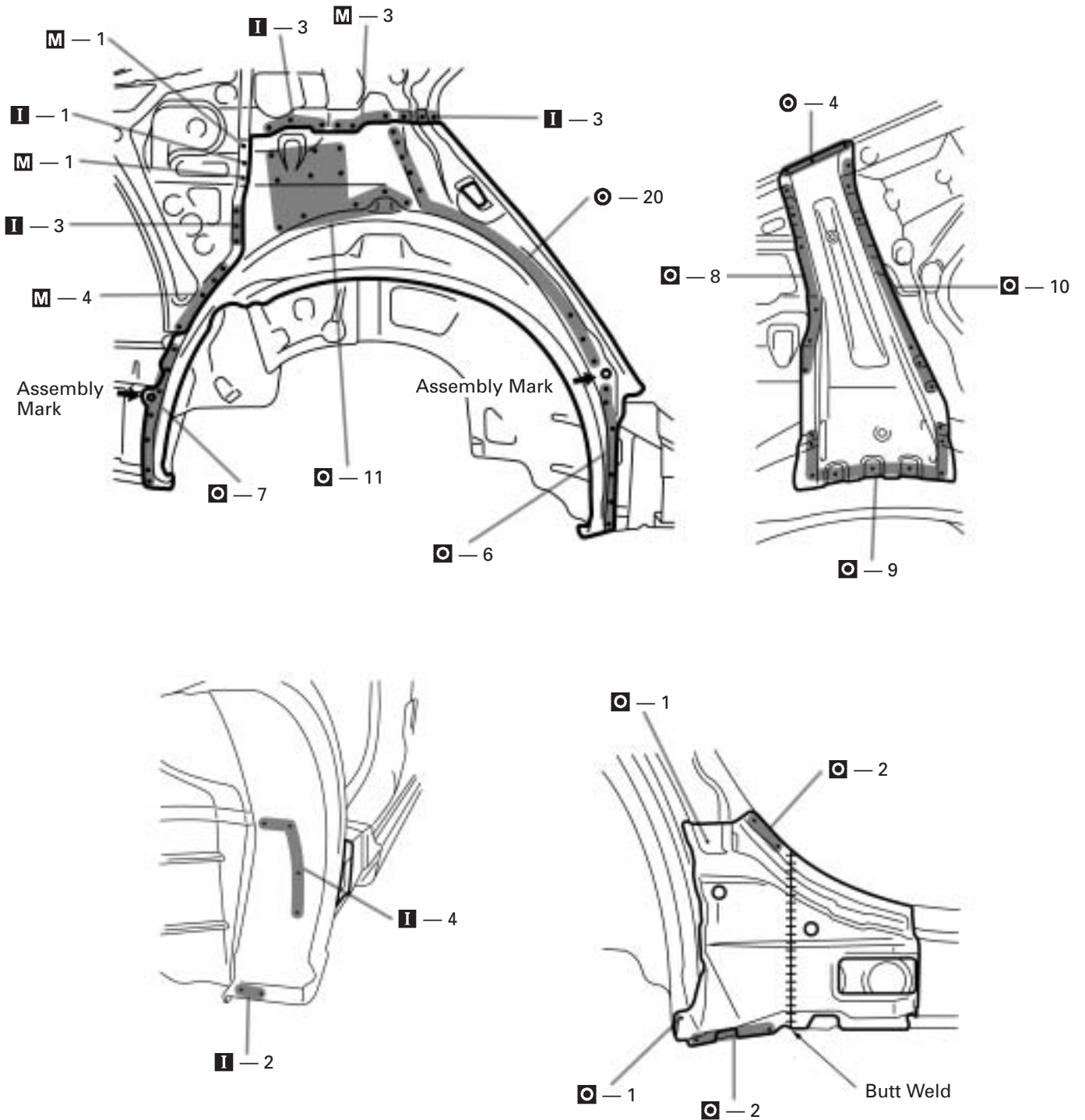
### REMOVAL (With the quarter panel removed.)



1. Remove the roof side outer panel and rocker panel No.5 reinforcement at the locations shown above, and remove the quarter wheel housing outer panel.

| mm | in.  |
|----|------|
| 30 | 1.18 |

INSTALLATION



1. Determine the position of the new parts by the assembly marks of the inner and outer panels.
2. Before welding the new parts, temporarily install the quarter panel and check the fit.