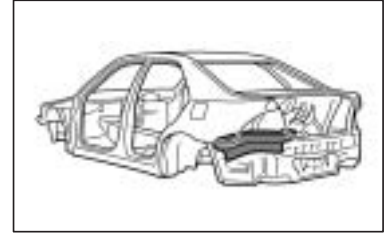
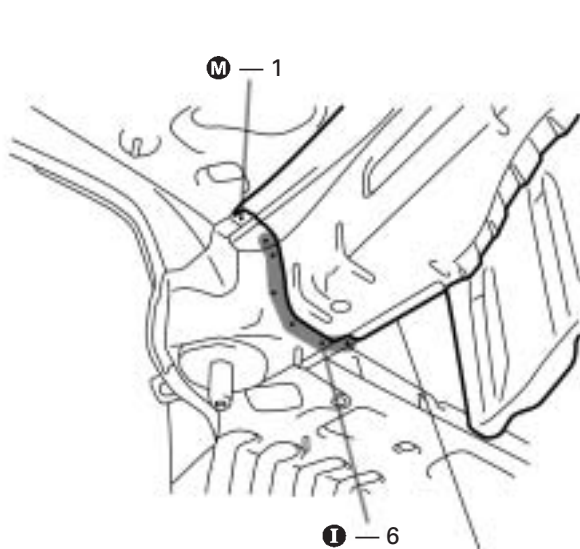
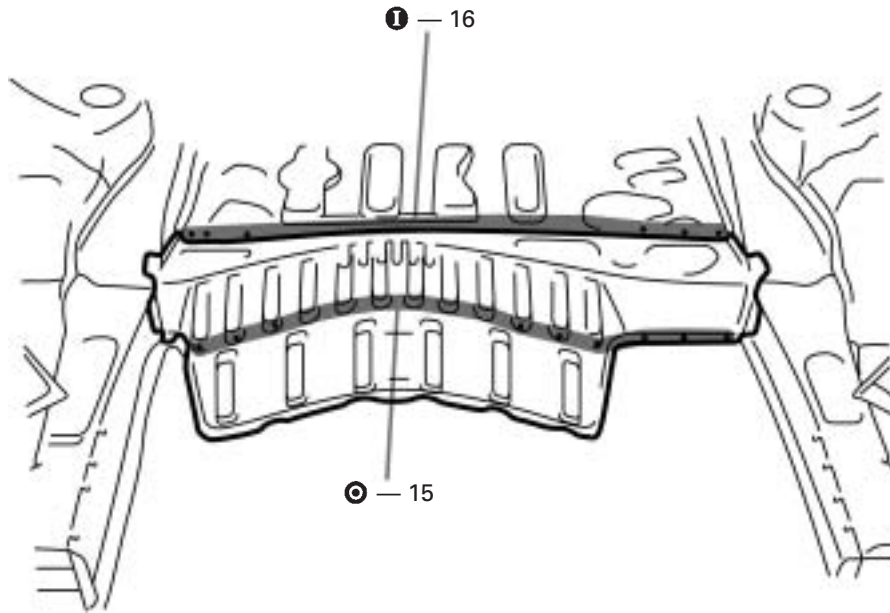


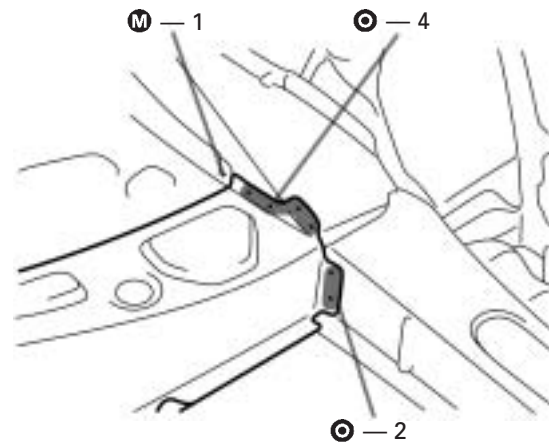
REAR FLOOR No.1 CROSSMEMBER (ASSY) REAR FLOOR No.2 CROSSMEMBER (ASSY)



REMOVAL (With the rear floor pan removed.)

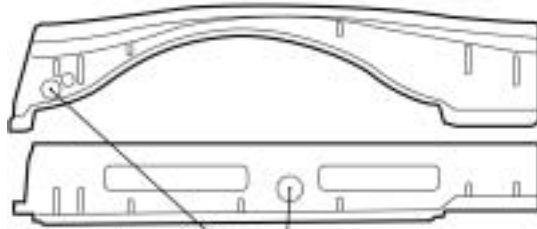


Rear Floor No.2 Crossmember

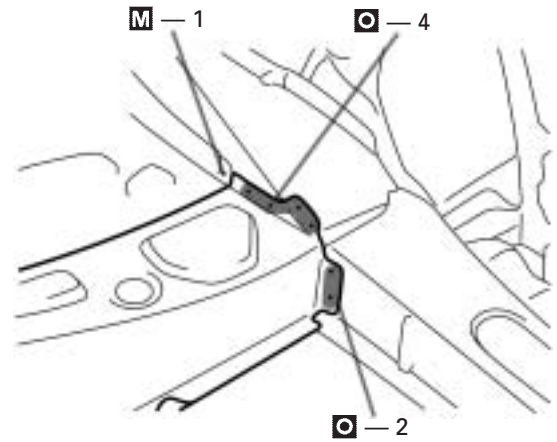
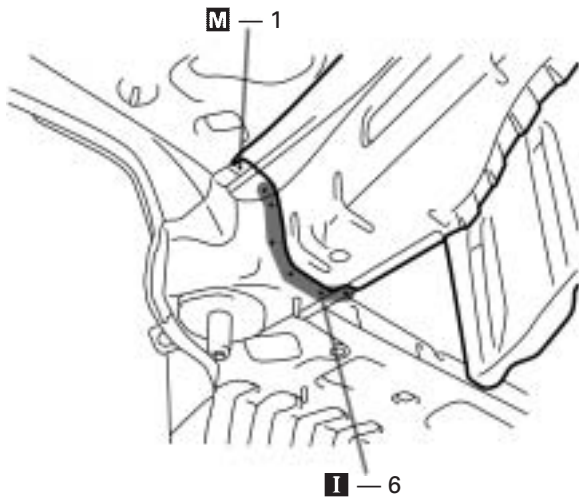
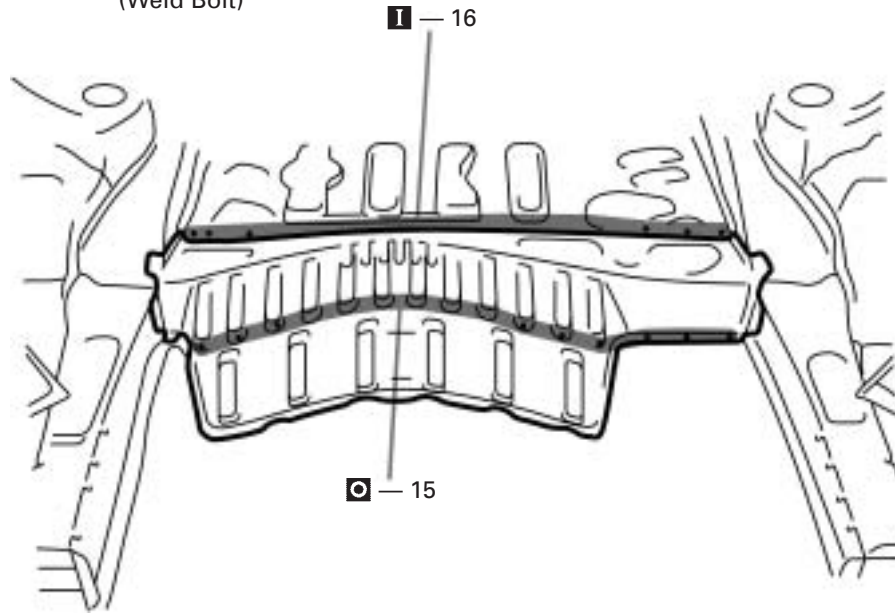


1. After removing the rear floor No.1 crossmember, remove the rear floor No.2 crossmember.

INSTALLATION



Tack Weld
(Weld Bolt)



1. Temporarily install the new parts and measure each part in accordance with the body dimension diagram.
2. Attach the weld bolt to the center of the bearing surface.